



US00D940400S

(12) **United States Design Patent**
Mitchell

(10) **Patent No.:** **US D940,400 S**

(45) **Date of Patent:** **** Jan. 4, 2022**

- (54) **CASE FOR ARTIFICIAL LASHES**
- (71) Applicant: **Elliese Mitchell**, Moreno Valley, CA
(US)
- (72) Inventor: **Elliese Mitchell**, Moreno Valley, CA
(US)
- (**) Term: **15 Years**
- (21) Appl. No.: **29/747,553**
- (22) Filed: **Aug. 24, 2020**
- (51) **LOC (13) Cl.** **28-03**
- (52) **U.S. Cl.**
USPC **D28/80**
- (58) **Field of Classification Search**
USPC D28/55, 64.1, 64.3, 73, 76, 78-82, 93,
D28/99; D9/601, 630, 715, 737, 756,
D9/529, 563, 574, 414, 420, 430, 432,
D9/499, 504
CPC A41G 5/02; A45D 26/00; A45D 26/0066;
A45D 33/00; A45D 33/003; A45D
33/006; A45D 33/008; A45D 33/16;
A45D 33/18; A45D 33/22; A45D 33/24;
A45D 33/26; A45D 34/00; A45D 34/02;
A45D 40/00; A45C 11/00; A45F 3/48
See application file for complete search history.

- D540,110 S * 4/2007 Nichols D7/354
- D640,834 S * 6/2011 Chen D28/83
- D749,963 S * 2/2016 Oaknin D9/658
- D760,512 S * 7/2016 Atwane D6/601
- 2020/0288834 A1* 9/2020 Haywood A45C 11/008

OTHER PUBLICATIONS

Butterfly dreams lash book Pt II, Tatalashes, reviewd on Apr. 11, 2020, retrieved on Jul. 19, 2021, retrieved from the Internet URL: <https://tatalashes.com/products/butterfly-shape-lash-book>.*
Lovelee Wispies Facebook Post, published on Jul. 28, 2020, retrieved on Jul. 28, 2021, retrieved from the Internet URL: <https://www.facebook.com/pg/loveleewispies/posts/>.*

* cited by examiner

Primary Examiner — Jennifer Rivard
Assistant Examiner — Alison M Ofstun
(74) *Attorney, Agent, or Firm* — Aura IP Law, PC

(57) **CLAIM**

The ornamental design for a case for artificial lashes, as shown and described herein.

DESCRIPTION

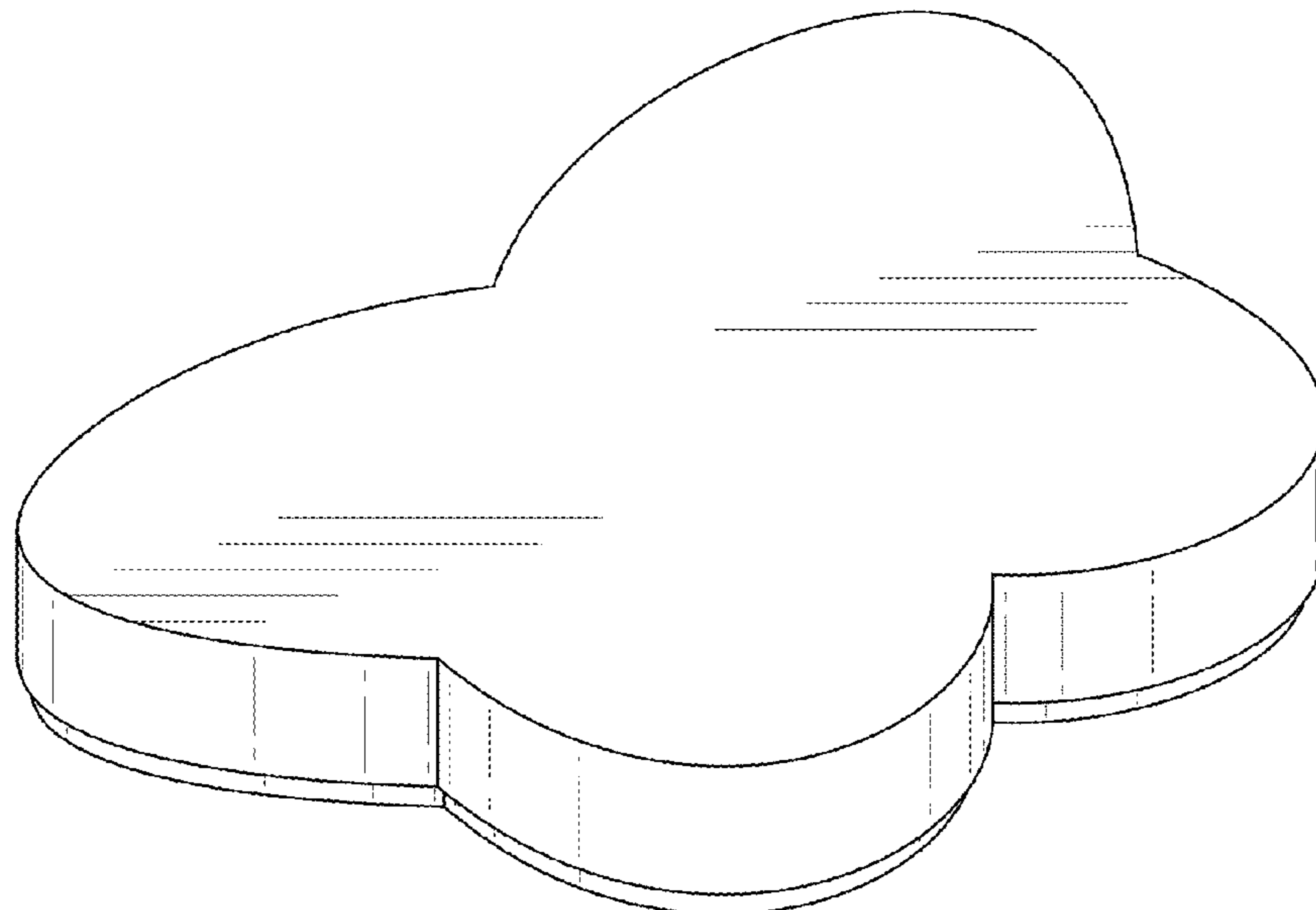
FIG. 1 is a top, front, perspective view of a case for artificial lashes, showing my new design;
FIG. 2 is an exploded top, front, perspective view thereof;
FIG. 3 is an exploded top, rear, perspective view thereof;
FIG. 4 is a bottom perspective view thereof;
FIG. 5 is an exploded bottom, front, perspective view thereof;
FIG. 6 is an exploded bottom perspective view thereof;
FIG. 7 is an exploded, top view thereof;
FIG. 8 is an exploded, bottom view thereof;
FIG. 9 is an exploded, front view thereof;
FIG. 10 is an exploded, rear view thereof; and,
FIG. 11 is an exploded, left-side view thereof, the exploded, right-side view being a mirror image thereof.

1 Claim, 10 Drawing Sheets

(56) **References Cited**

U.S. PATENT DOCUMENTS

- D73,940 S * 11/1927 Noonan D9/658
- D124,319 S * 12/1940 Mason D28/80
- D143,966 S * 2/1946 Fisk D11/2
- 3,557,653 A * 1/1971 Kim A41G 5/02
83/522.19
- D454,298 S * 3/2002 Davis D9/630
- D475,809 S * 6/2003 Shih D28/80
- D485,019 S * 1/2004 Au D28/80
- D531,360 S * 10/2006 Chiu D28/80



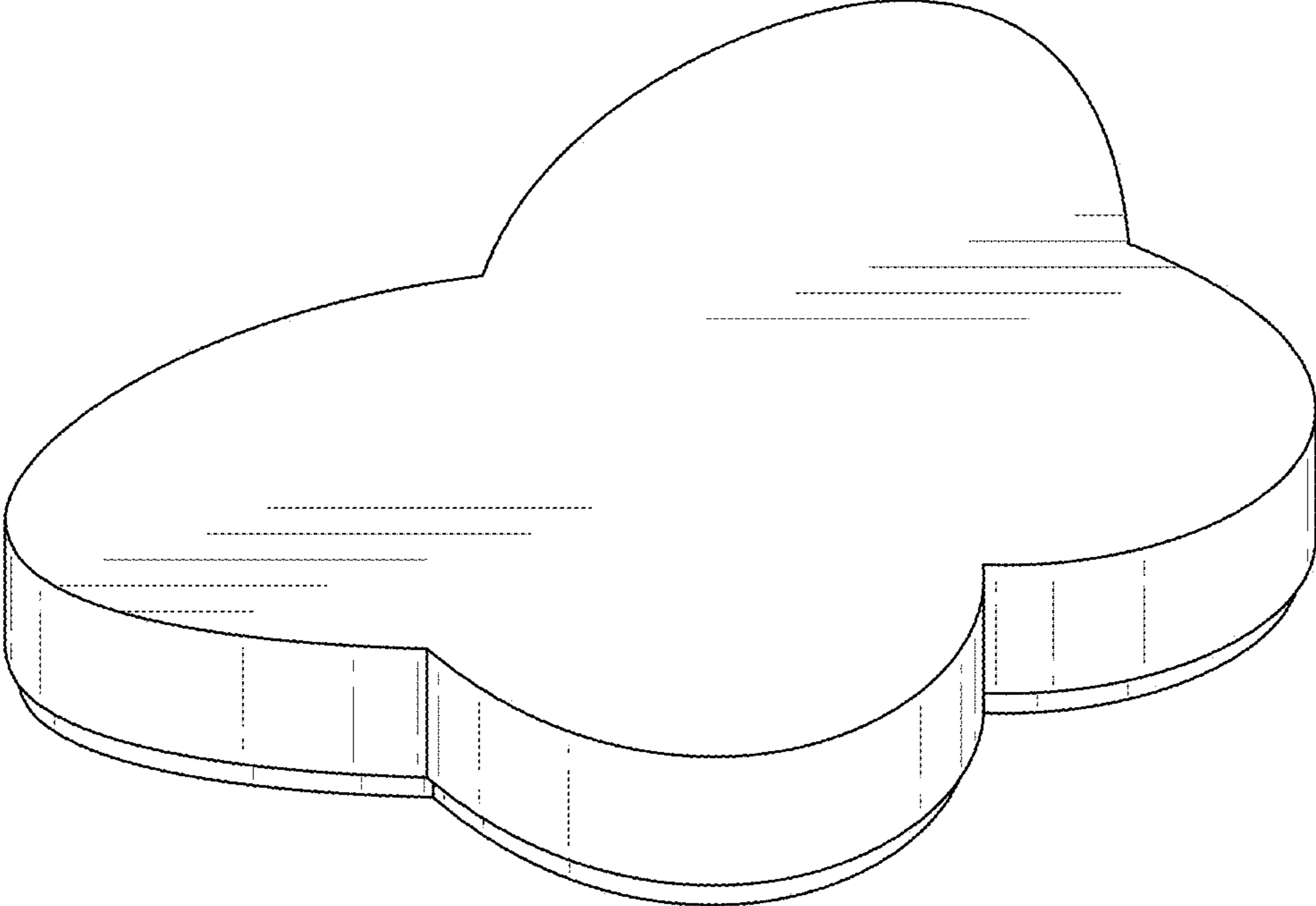


FIG. 1

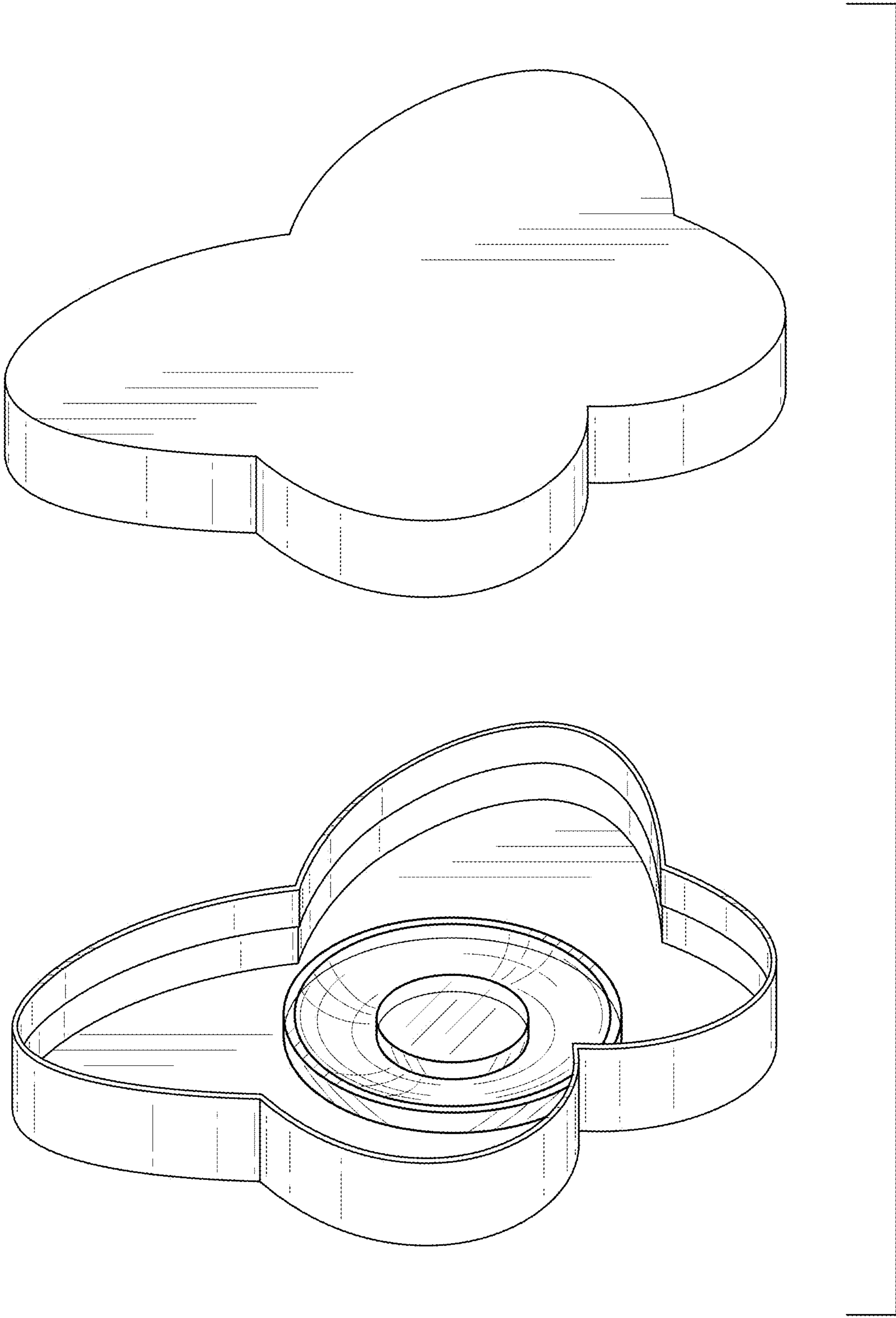


FIG. 2

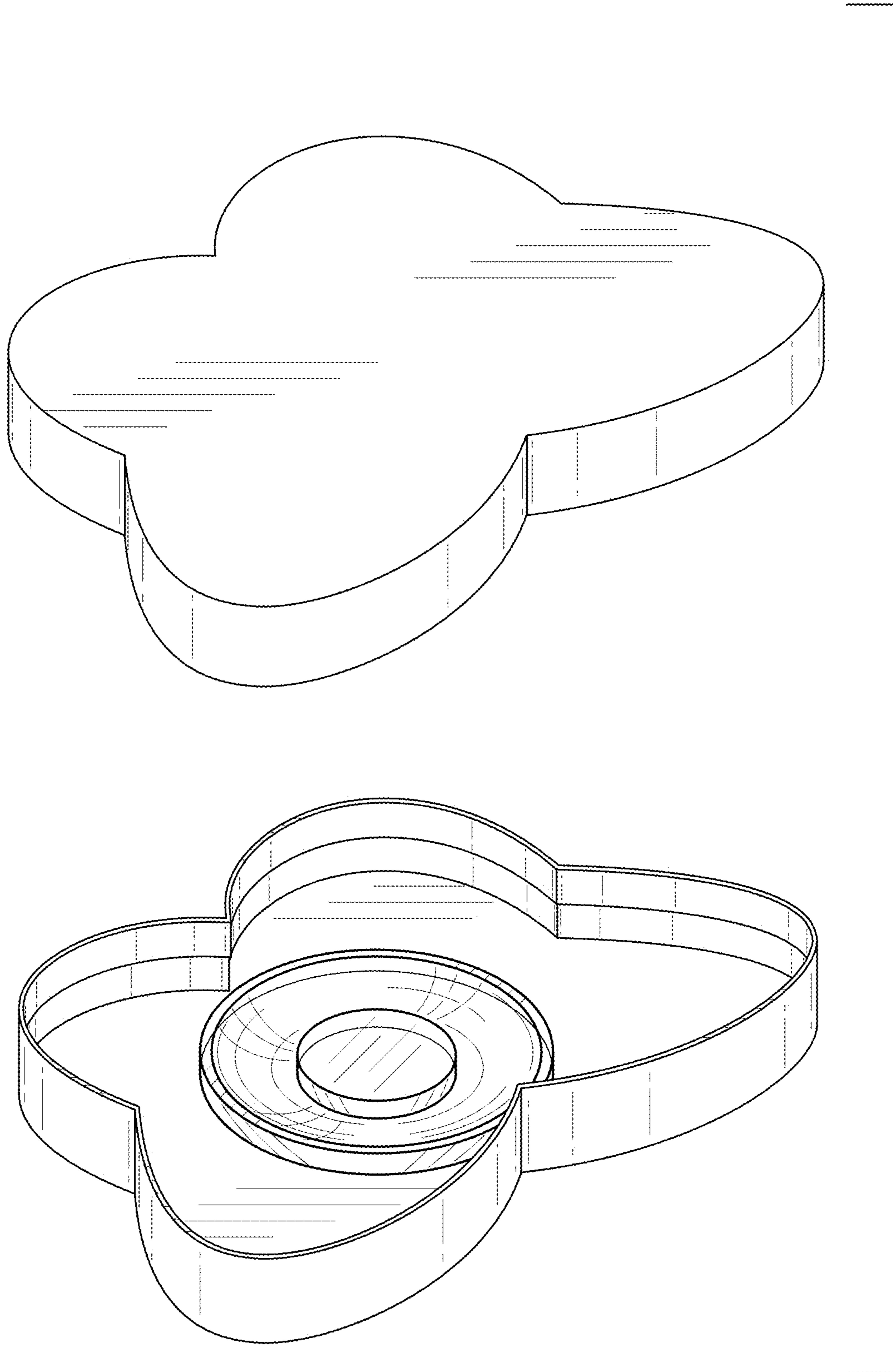


FIG. 3

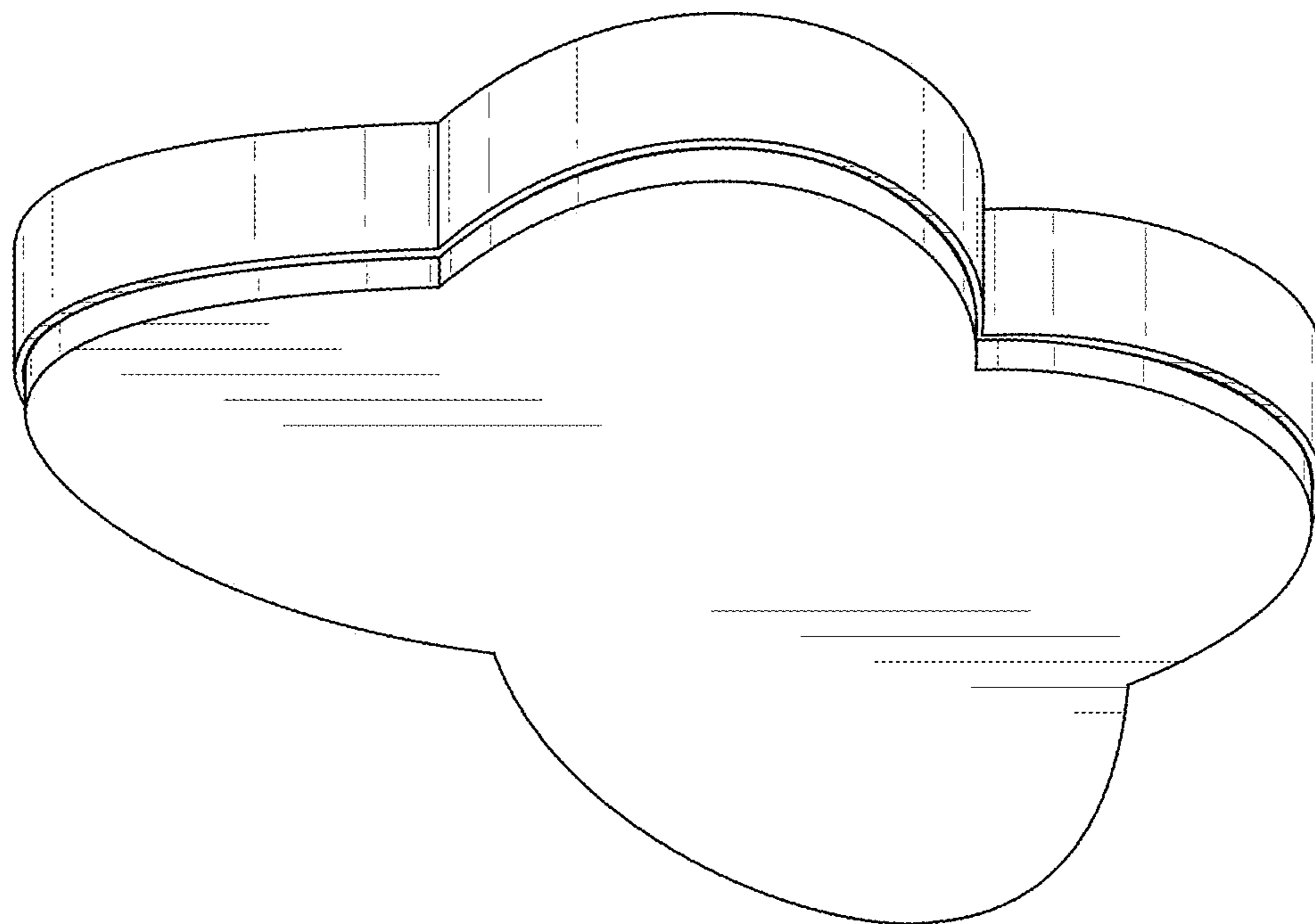


FIG. 4

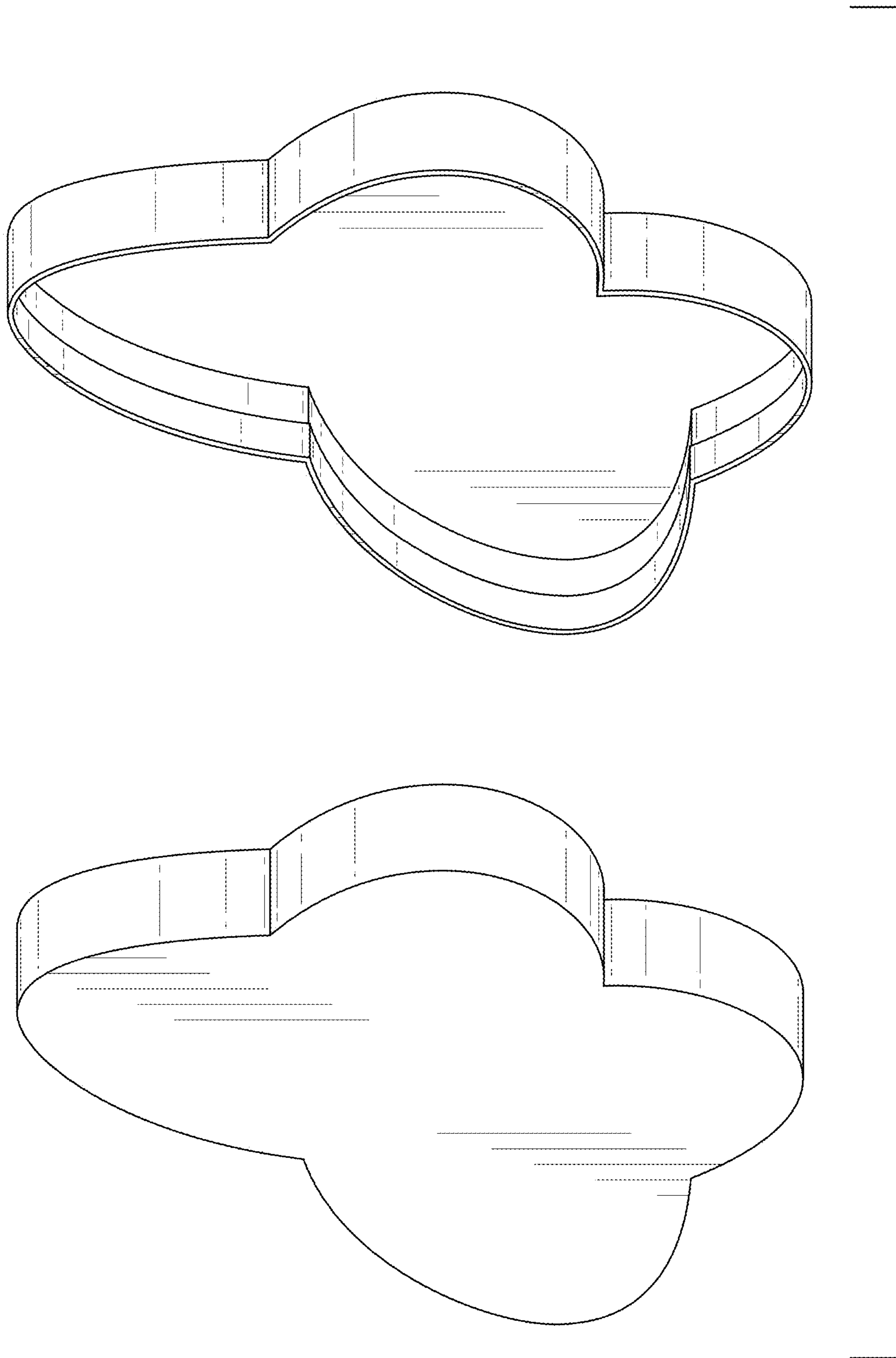


FIG. 5

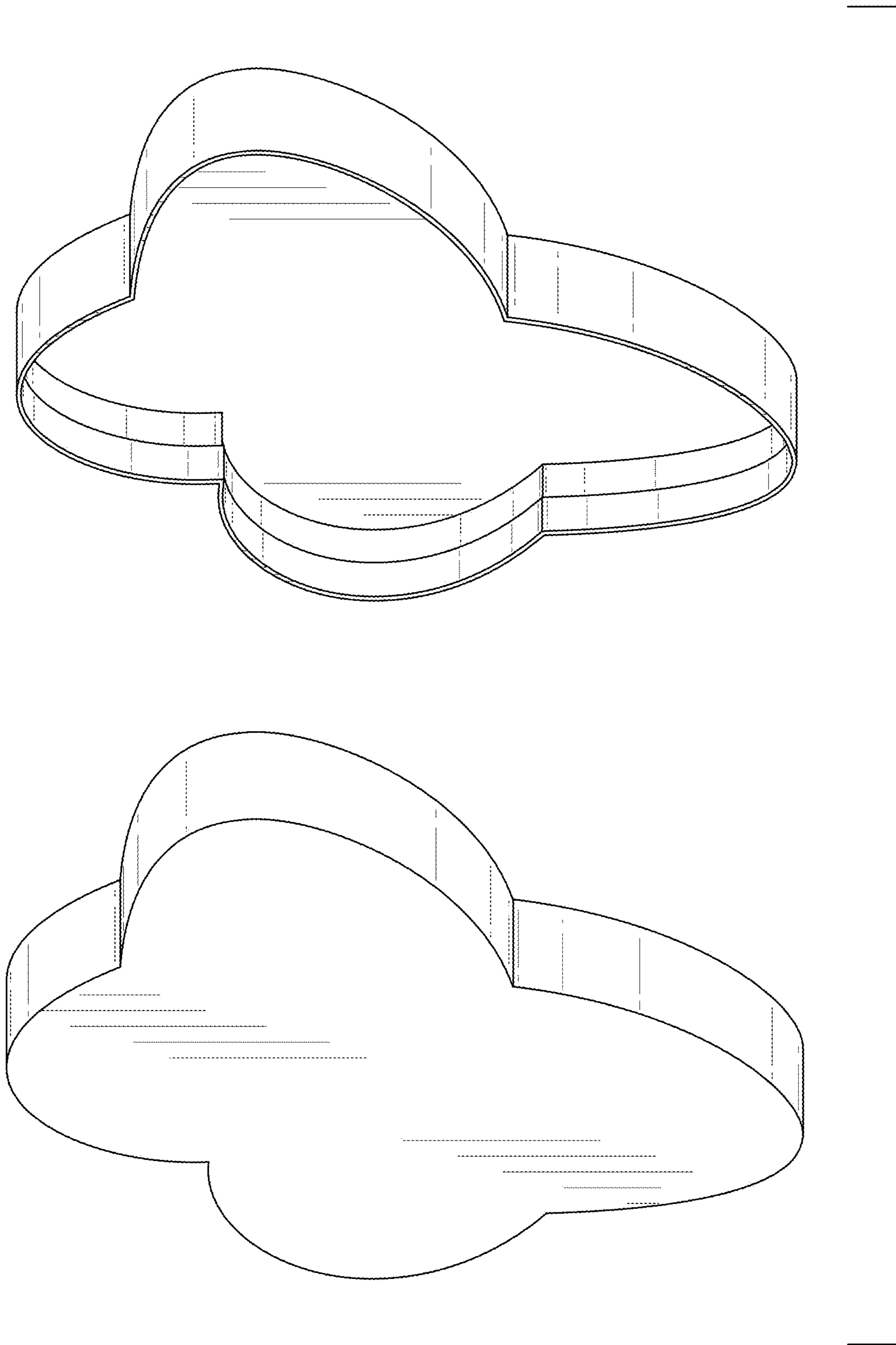


FIG. 6

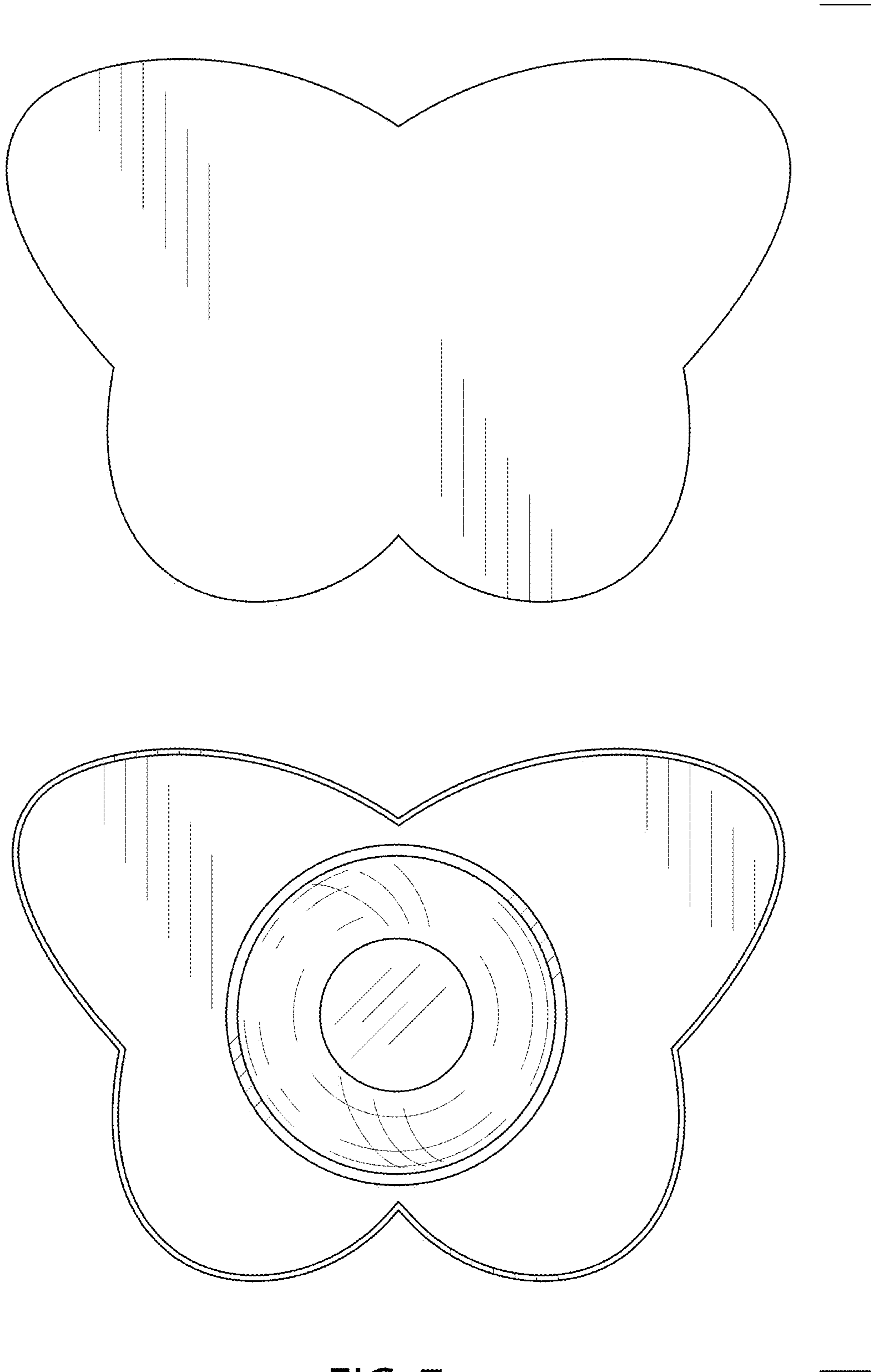


FIG. 7

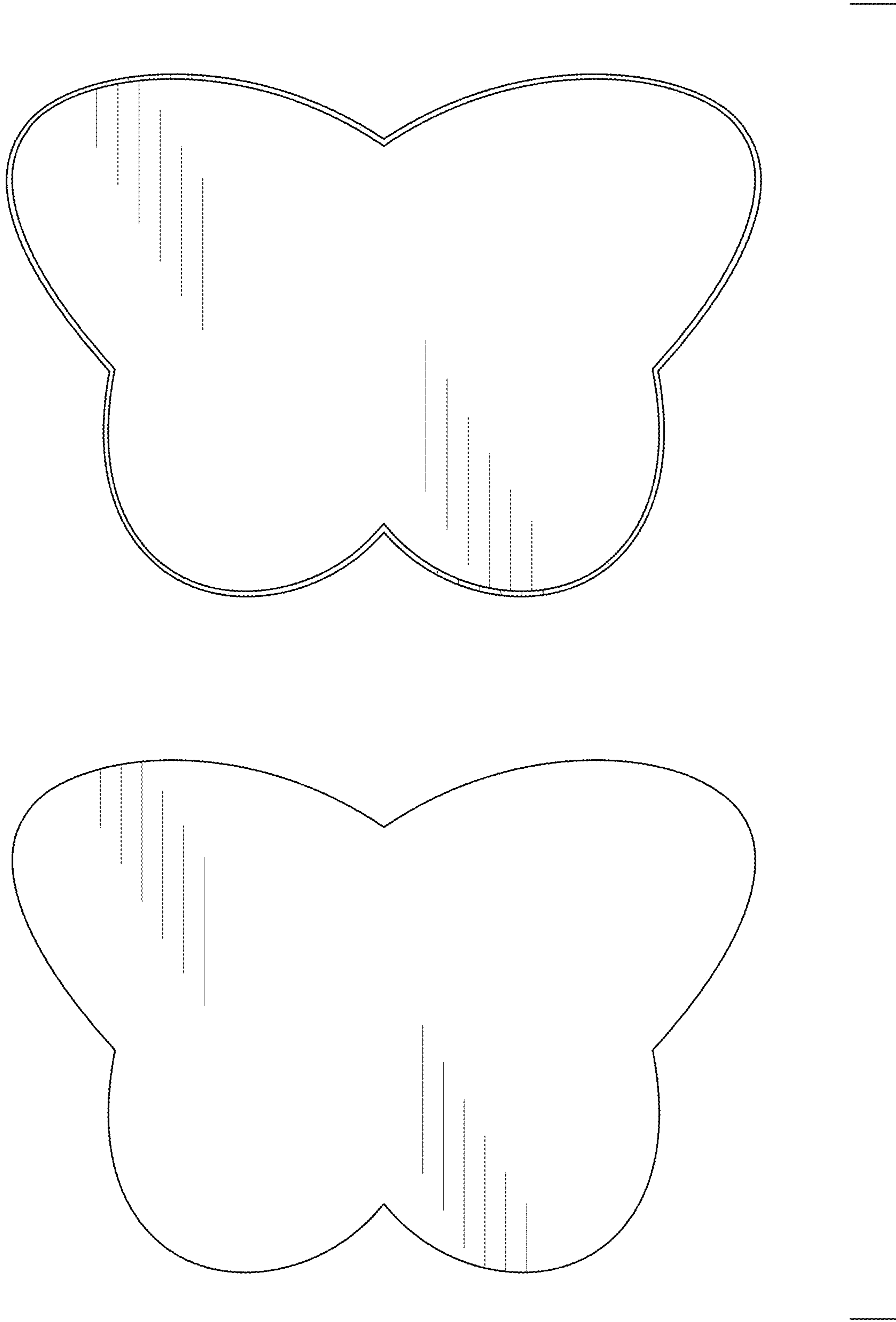


FIG. 8

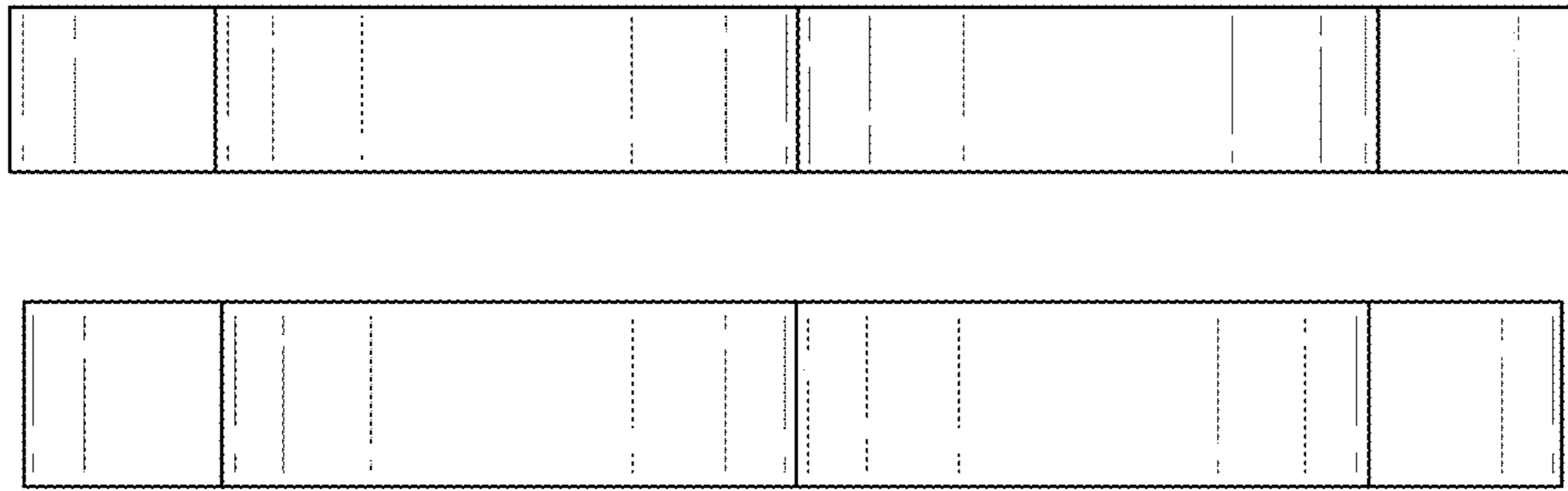


FIG. 9

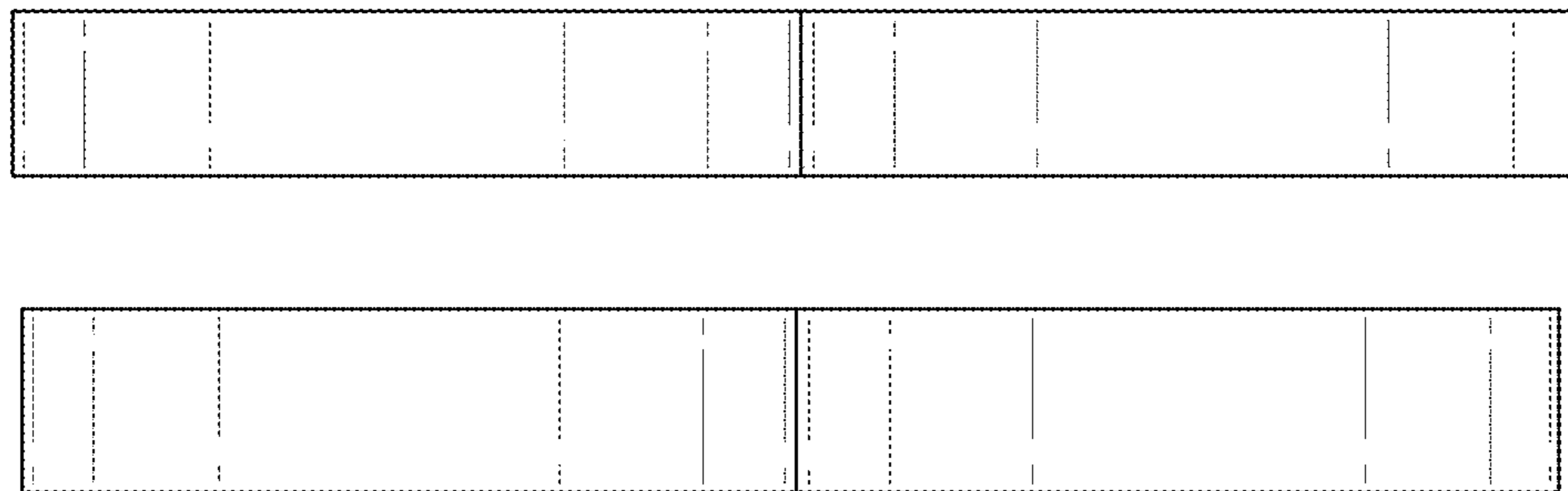


FIG. 10



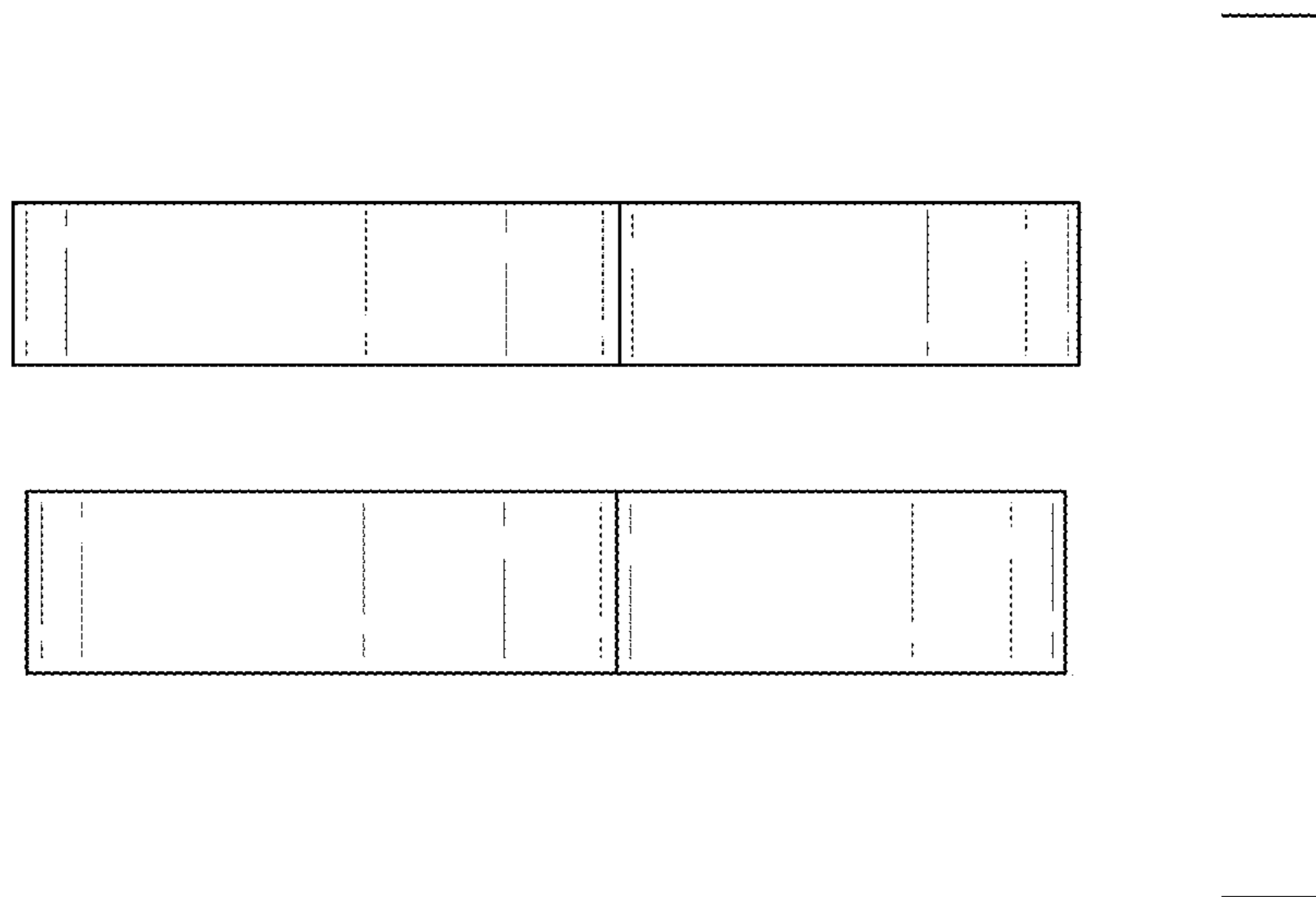


FIG. 11