



US00D940399S

(12) **United States Design Patent** (10) **Patent No.:** **US D940,399 S**  
**Rienzo et al.** (45) **Date of Patent:** **\*\* Jan. 4, 2022**

(54) **ORGANIZER**

D548,888 S 8/2007 McCambridge  
D611,657 S 3/2010 Maddy et al.  
D667,503 S 9/2012 Ranby  
(Continued)

(71) Applicant: **Convenient Products International, LLC**, Howell, NJ (US)

(72) Inventors: **Barbara Rienzo**, Howell, NJ (US); **Michele Fay**, Howell, NJ (US); **Peter Rienzo**, Wall, NJ (US)

(\*\*) Term: **15 Years**

(21) Appl. No.: **29/796,835**

(22) Filed: **Jun. 28, 2021**

FOREIGN PATENT DOCUMENTS

CN 303650204 S 4/2016  
CN 303822096 S 8/2016  
(Continued)

OTHER PUBLICATIONS

Anonymous, Over-the-sink-organizer, found on Pinterest, URL: <https://in.pinterest.com/pin/570338740306266074/?lp=true> Accessed: Mar. 22, 2019.

(Continued)

**Related U.S. Application Data**

(62) Division of application No. 29/691,462, filed on May 16, 2019, now Pat. No. Des. 927,067.

(51) **LOC (13) Cl.** ..... **28-03**

(52) **U.S. Cl.**  
USPC ..... **D28/73**

(58) **Field of Classification Search**  
USPC ..... D6/513, 525, 531, 567, 570, 571;  
D7/600.1-600.4, 704; D19/75, 77;  
D28/38, 56, 57, 59, 61, 62, 73, 77, 78,  
D28/83, 99

CPC .... A45C 11/00; A45D 33/003; A45D 33/006;  
A45D 33/22; A45D 33/24; A45D 33/26;  
A45D 33/28; A45D 40/24; A45D  
2033/001; A47G 29/08

See application file for complete search history.

*Primary Examiner* — Cynthia Ramirez

*Assistant Examiner* — Xavier Marti-Santos

(74) *Attorney, Agent, or Firm* — Werschulz Patent Law, LLC; Patricia P. Werschulz, Esq.

(57) **CLAIM**

The ornamental design for an organizer, as shown and described.

**DESCRIPTION**

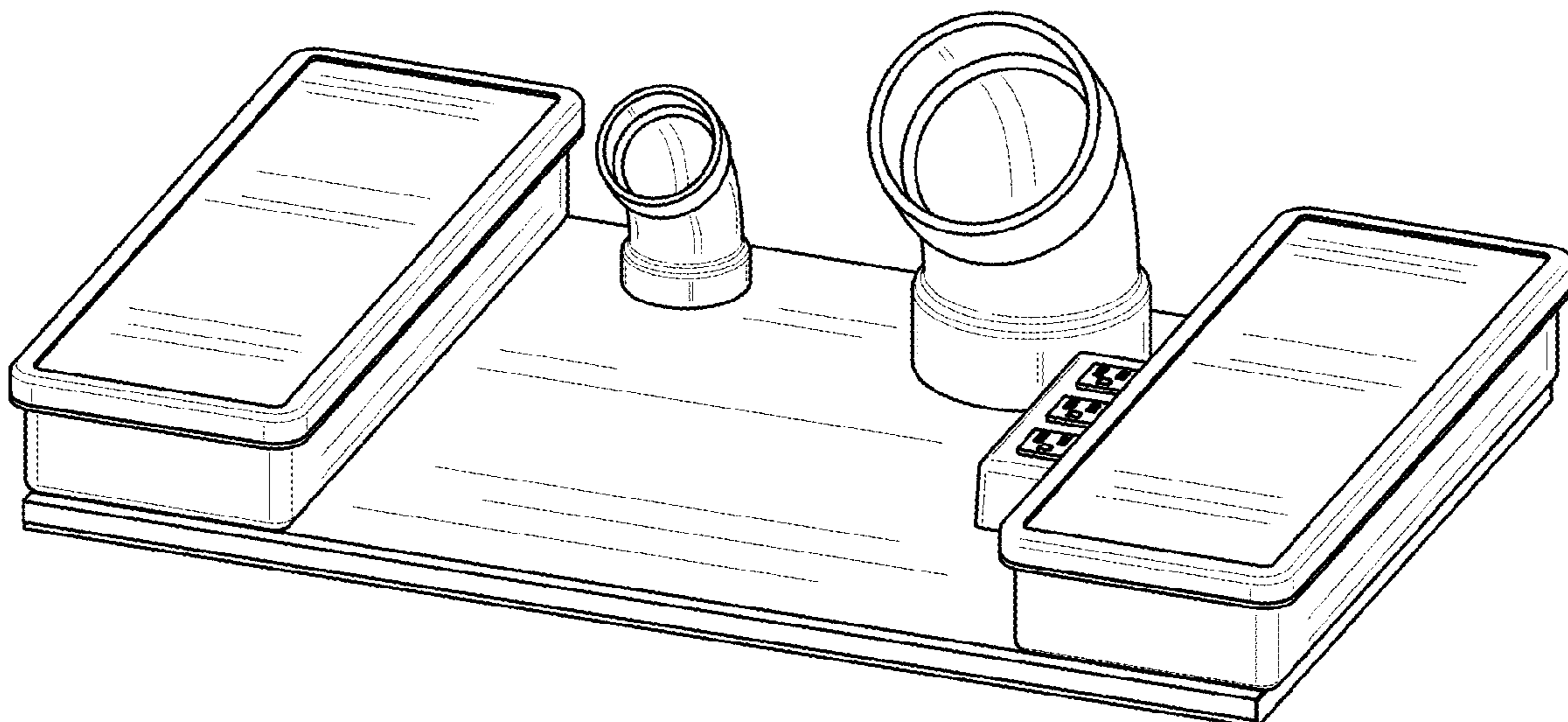
FIG. 1 is a perspective view of an organizer, showing our new design;  
FIG. 2 is a front elevational view thereof;  
FIG. 3 is a rear elevational view thereof;  
FIG. 4 is a left side elevational view thereof;  
FIG. 5 is a right side elevational view thereof;  
FIG. 6 is a top plan view thereof;  
FIG. 7 is a bottom plan view thereof; and,  
FIG. 8 is a perspective view of the organizer in use.  
The broken lines representing environmental association matter being for illustrative purpose only and form no part of the claimed design.

**1 Claim, 5 Drawing Sheets**

(56) **References Cited**

U.S. PATENT DOCUMENTS

D117,401 S 10/1939 Long  
D264,442 S 5/1982 Diskin  
D301,590 S 6/1989 Foran et al.  
D317,461 S 6/1991 Willie  
D333,841 S 3/1993 Henricksen  
6,591,990 B2 7/2003 Lanman et al.  
D487,170 S 2/2004 Petrucci



(56)

**References Cited**

U.S. PATENT DOCUMENTS

D727,623 S 4/2015 Nickell  
D768,933 S 10/2016 Green  
D845,550 S 4/2019 Yang  
D850,727 S 6/2019 Petruccelli  
D908,436 S 1/2021 Lu  
D927,067 S \* 8/2021 Rienzo ..... D28/73

FOREIGN PATENT DOCUMENTS

CN 304539677 S 3/2018  
CN 304774792 S 8/2018  
CN 304943865 S 12/2018  
EM 0014671040001 7/2018  
GB 4041017 S 5/2015  
JP D1059447 S 1/2000  
JP 1148512 S 7/2002  
KR 3007090550000 9/2013  
KR 3008463740000 3/2016

OTHER PUBLICATIONS

Anonymous, The Matte, Amazon, accessed Mar. 22, 2019, travel  
URL:<https://www.amazon.com/Matte-Organizer-Bathroom-Instant-Essential-bathroom/dp/B01N1V10MC?th=1>.  
Blow Dryer & Hair Iron Holder [online], [site visited Apr. 19, 2021]. Available from internet, URL: (Year: 2021).  
Saloniture Tabletop Hair Iron & Blow Dryer Holder [online], [site visited Apr. 19, 2021]. Available from internet, URL: (Year: 2015).

\* cited by examiner

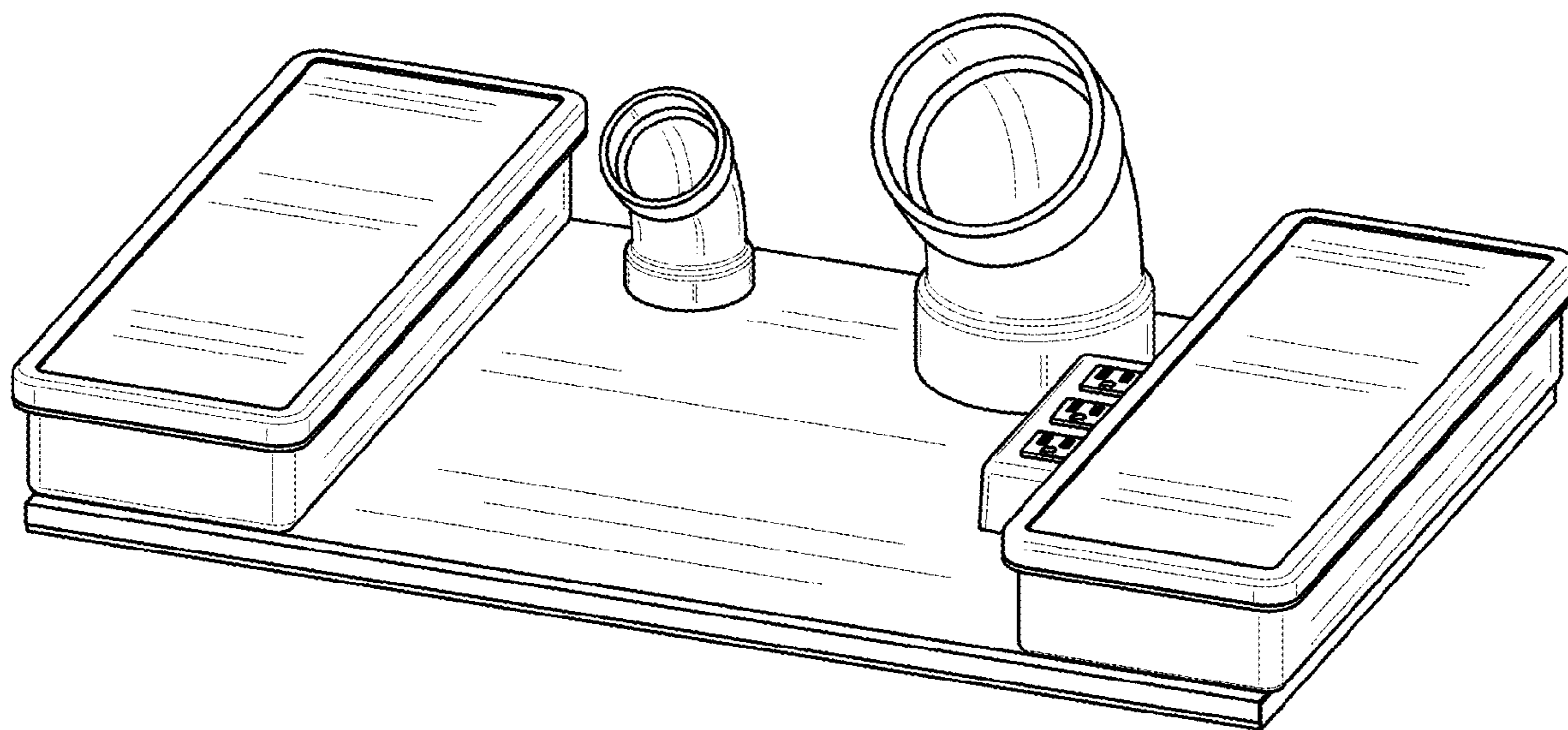
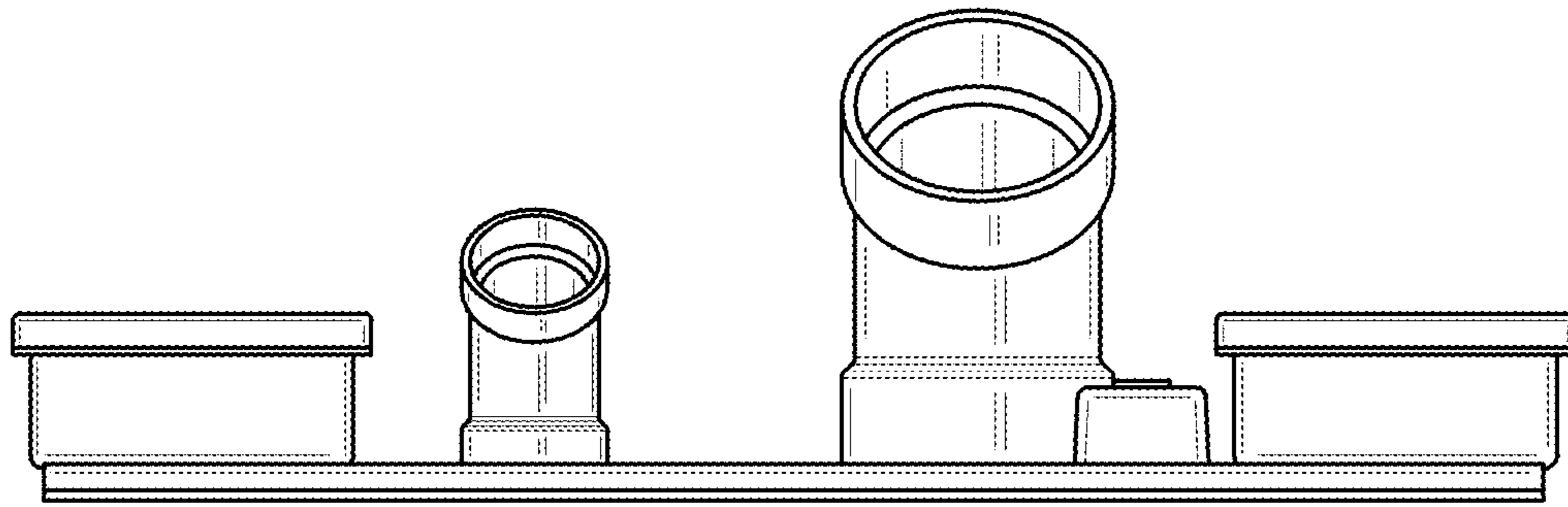
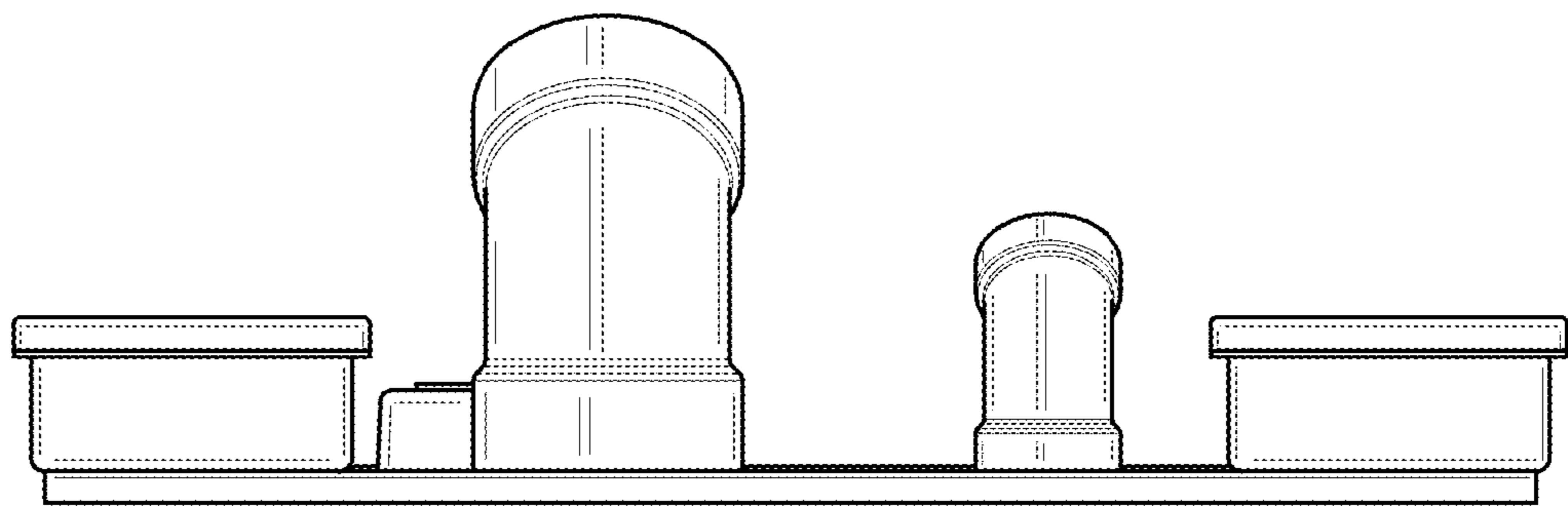


FIG. 1



*FIG. 2*



*FIG. 3*

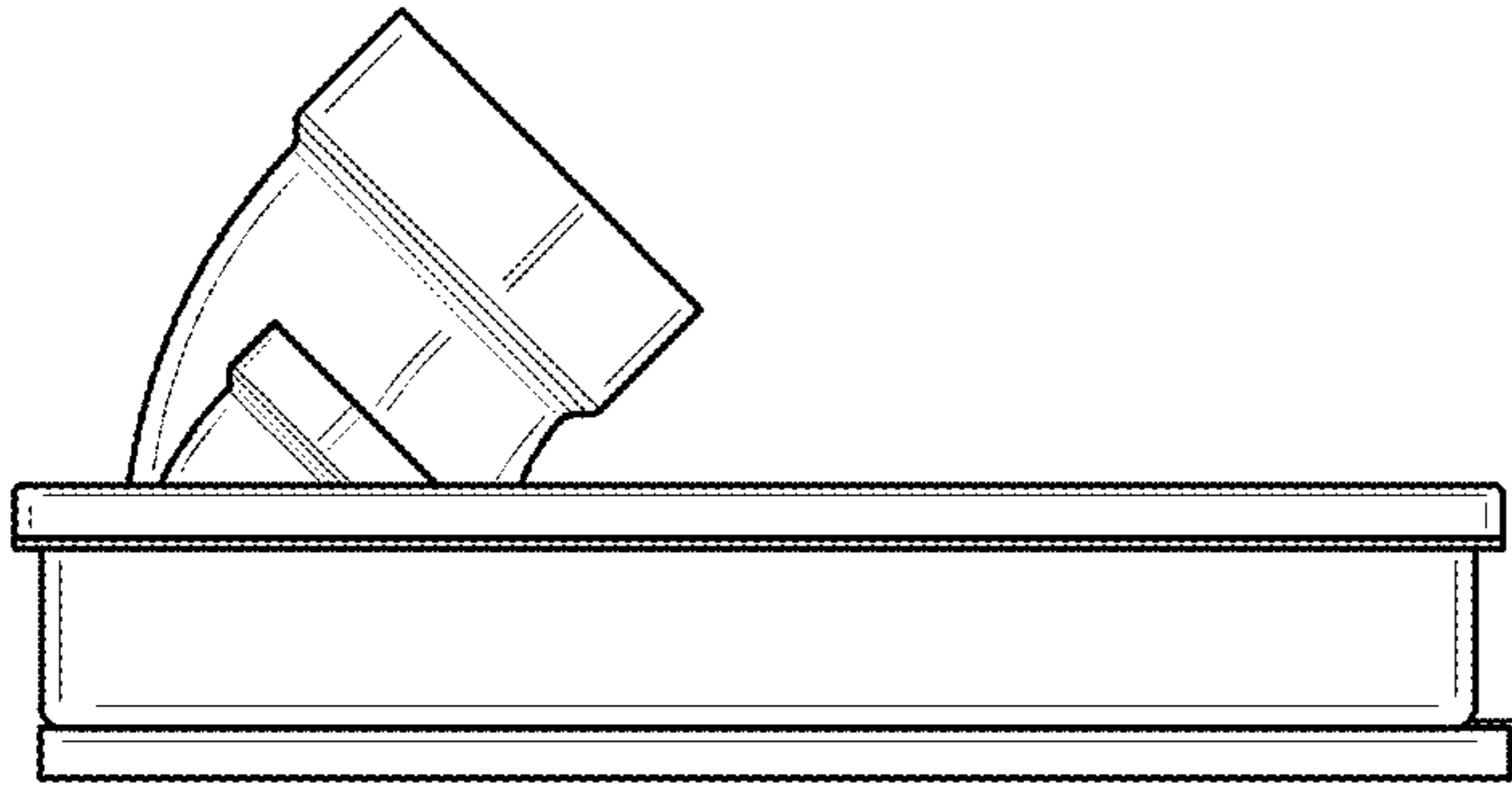


FIG. 4

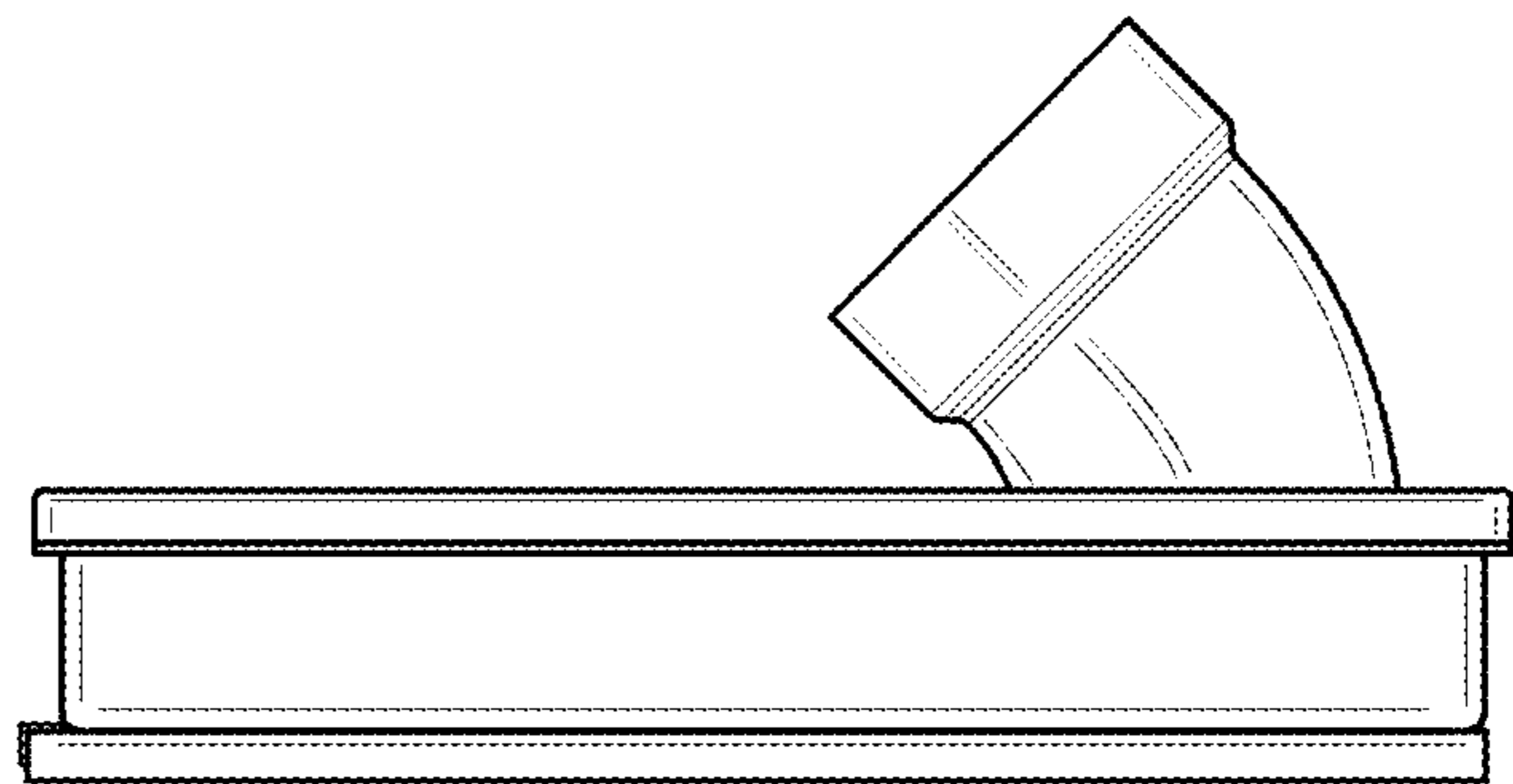


FIG. 5

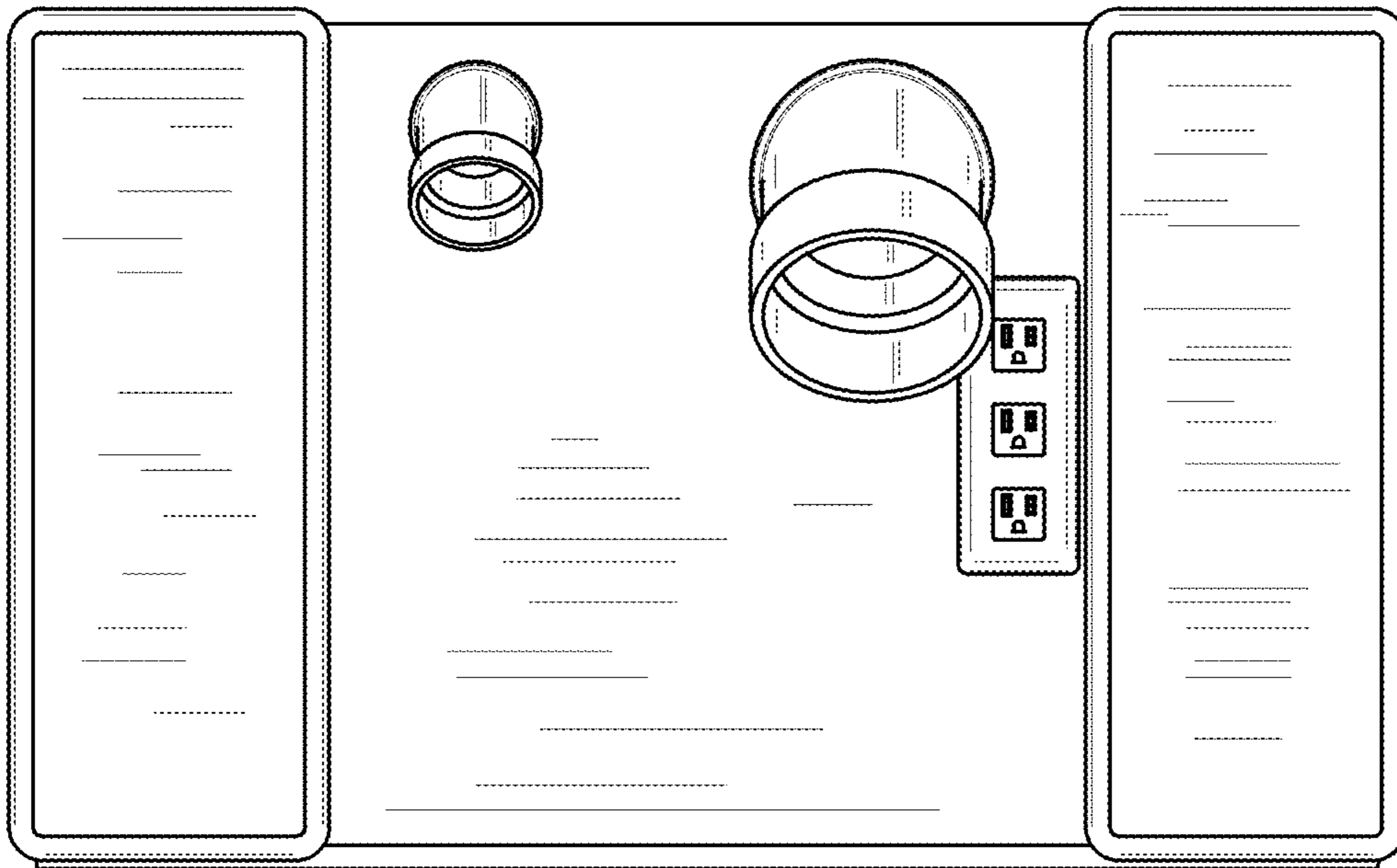


FIG. 6

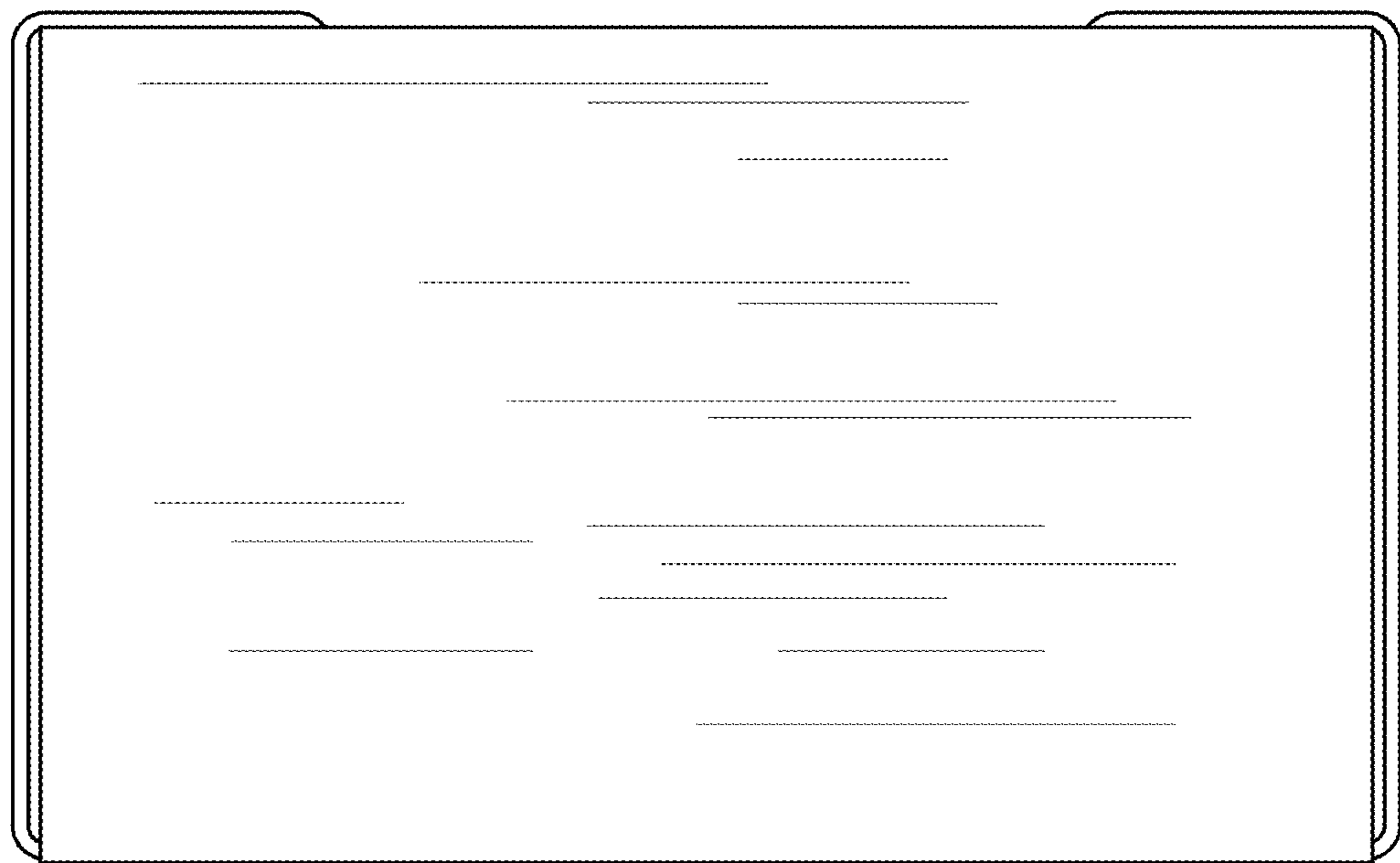


FIG. 7

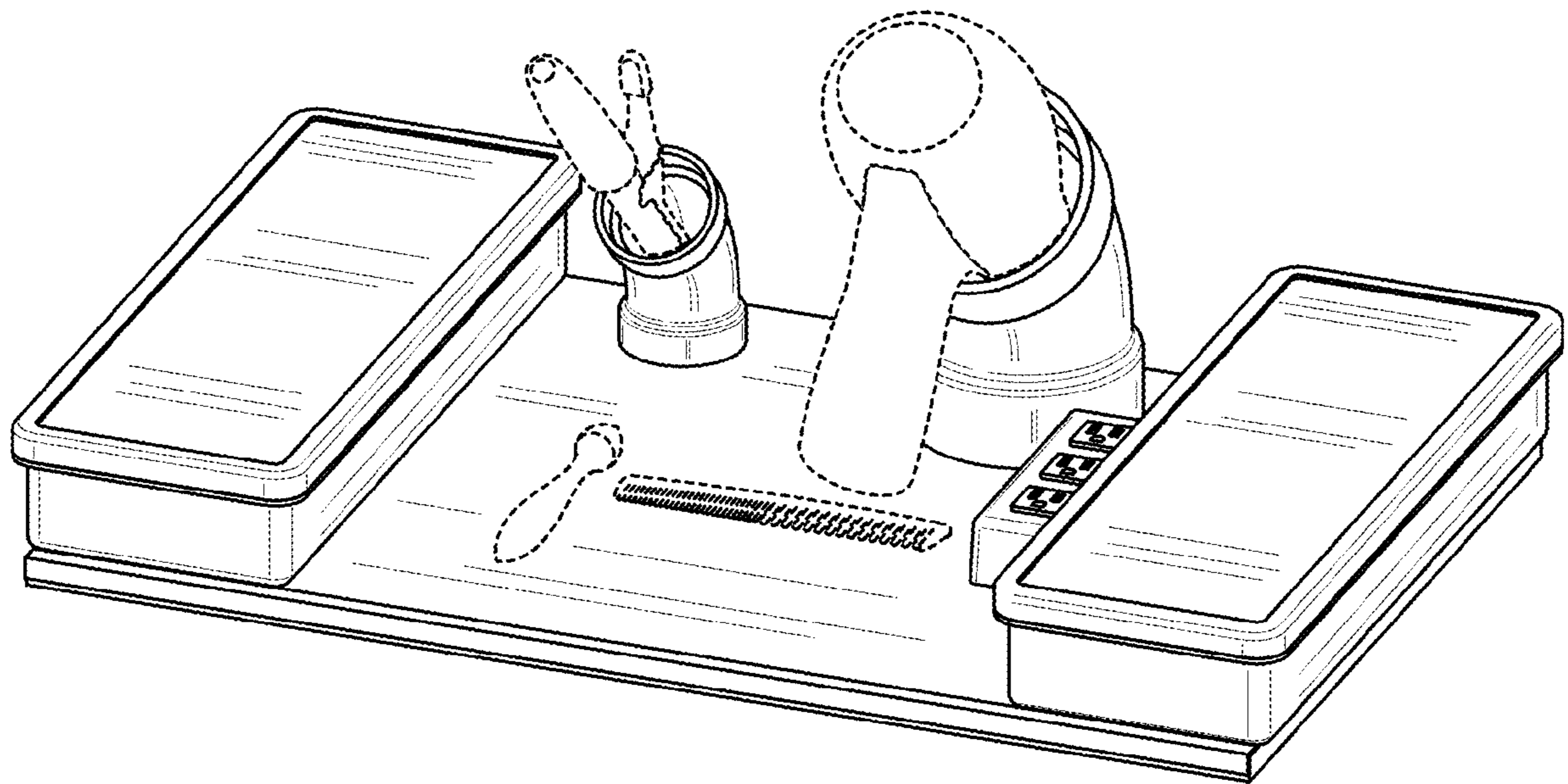


FIG. 8