



US00D940396S

(12) **United States Design Patent** (10) **Patent No.:** **US D940,396 S**
Lu (45) **Date of Patent:** **** Jan. 4, 2022**

(54) **NAIL POLISHER**

(71) Applicant: **SHENZHEN XPADSP TECHNOLOGY CO., LTD.**, Shenzhen (CN)

(72) Inventor: **Qing Lu**, Shenzhen (CN)

(**) Term: **15 Years**

(21) Appl. No.: **29/732,909**

(22) Filed: **Apr. 28, 2020**

(30) **Foreign Application Priority Data**

Oct. 29, 2019 (CN) 201930591459.7

(51) **LOC (13) Cl.** **28-03**

(52) **U.S. Cl.**
USPC **D28/58**

(58) **Field of Classification Search**
USPC D28/56-60; D30/158; D24/113, 133, D24/144, 152, 146-147, 214
CPC A45D 29/00; A45D 29/02; A45D 29/04; A45D 29/05; A45D 29/11; A45D 29/14; A01K 13/00; A01K 13/001; A61B 17/54
See application file for complete search history.

(56) **References Cited**

U.S. PATENT DOCUMENTS

D355,971 S *	2/1995	Meller	D24/152
D600,413 S *	9/2009	Khubani	D30/158
D758,566 S *	6/2016	Chen	D24/113
D903,866 S *	12/2020	Chen	D24/144
D908,210 S *	1/2021	Saint	D24/113
D909,681 S *	2/2021	Lu	D28/57
D921,196 S *	6/2021	Wang	D24/133
D925,126 S *	7/2021	Li	D28/58
D929,042 S *	8/2021	Lu	D28/58
2006/0137703 A1 *	6/2006	Kling	A45D 29/05 132/73.6

2011/0247642 A1 *	10/2011	Cristina	A45D 29/18 132/200
2020/0037727 A1 *	2/2020	Butler	A45D 29/14
2021/0045513 A1 *	2/2021	Cheng	H02J 7/0045

OTHER PUBLICATIONS

Bestidy Manicure Pen, Bestidy, reviewed on Sep. 7, 2019 on amazon.com, retrieved on Sep. 28, 2021, retrieved from the Internet URL: https://www.amazon.com/Bestidy-Electric-Changeable-Exfoliating-Polishing/dp/B07TZQDL6W/ref=sr_1_54_sspa?dchild=1&keywords=nail%2Bpolishing%2Bpen&qid=1632849885&sr=8-54-spons&smid=A39R83WH.*

(Continued)

Primary Examiner — Jennifer Rivard

Assistant Examiner — Alison M Ofstun

(74) *Attorney, Agent, or Firm* — Rumit Ranjit Kanakia

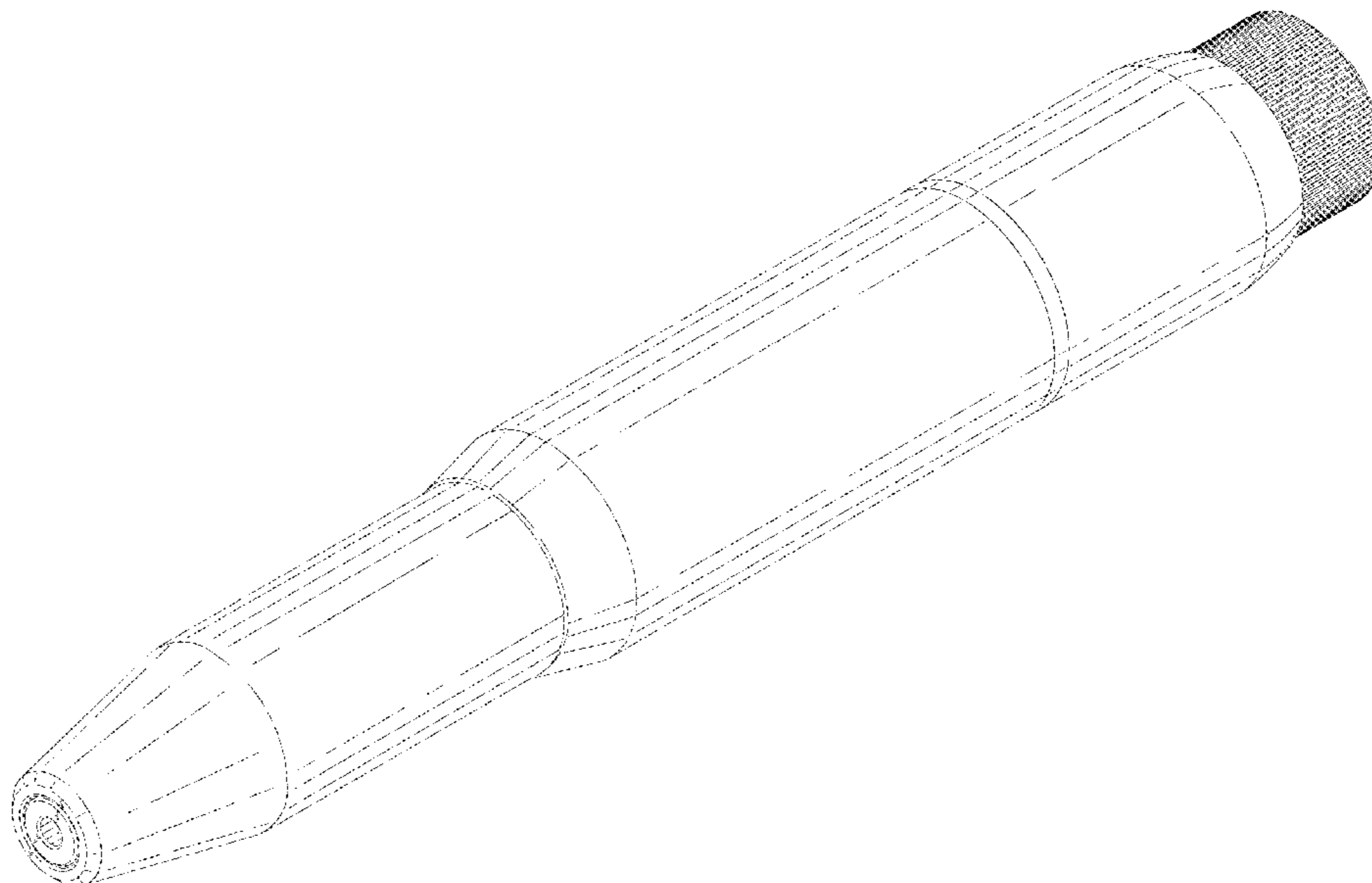
(57) **CLAIM**

The ornamental design for a nail polisher, as shown and described.

DESCRIPTION

FIG. 1 is a front elevational view of a nail polisher showing my new design;
FIG. 2 is a rear elevational view thereof;
FIG. 3 is a bottom plan view thereof;
FIG. 4 is a top plan view thereof;
FIG. 5 is a right side view thereof;
FIG. 6 is a left side view thereof;
FIG. 7 is an enlarged view of portion "7" shown in FIG. 1;
FIG. 8 is an enlarged view of portion "8" shown in FIG. 5;
FIG. 9 is a perspective view thereof; and,
FIG. 10 is another perspective view thereof.
The broken lines in FIGS. 4 and 10 illustrate portions of the article which form no part of the claimed design. The remaining broken lines in the drawings illustrate enlarged view indicators which form no part of the claimed design.

1 Claim, 7 Drawing Sheets



(56)

References Cited

OTHER PUBLICATIONS

Annico Acrylic Nail Drill Electric, Annico, reviewed on Jun. 11, 2020 on amazon.com, retrieved on Jun. 4, 2021, retrieved from the Internet URL: https://www.amazon.com/Electric-Portable-Polishing-Adjustable-Professional/dp/B087JQ13NB/ref=cm_cr_ar_p_d_product_top?ie=UTF8&th=1.*

* cited by examiner

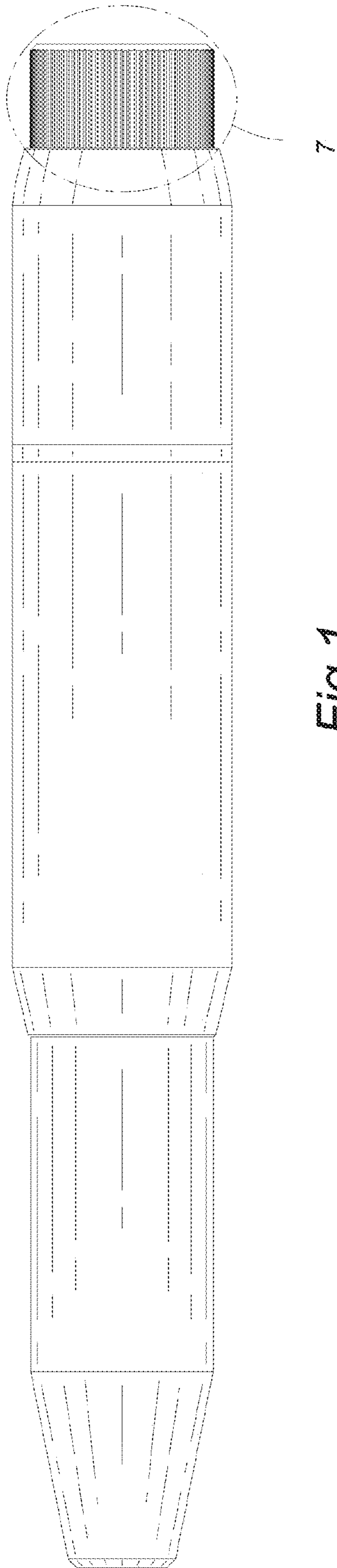


Fig. 1

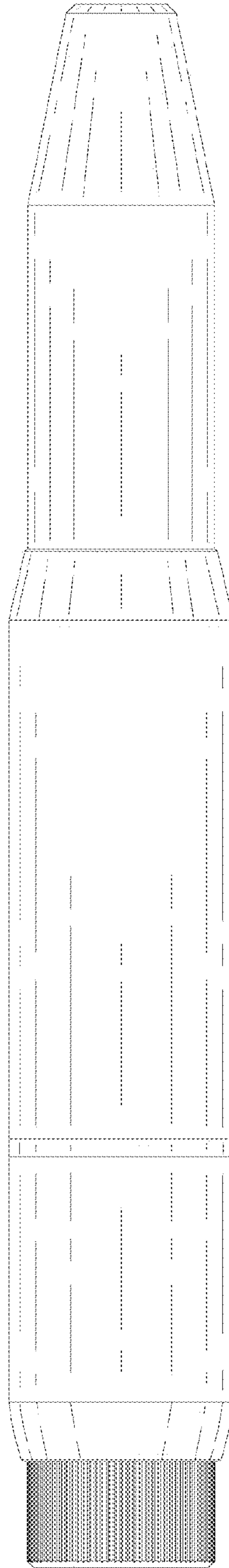


Fig. 2

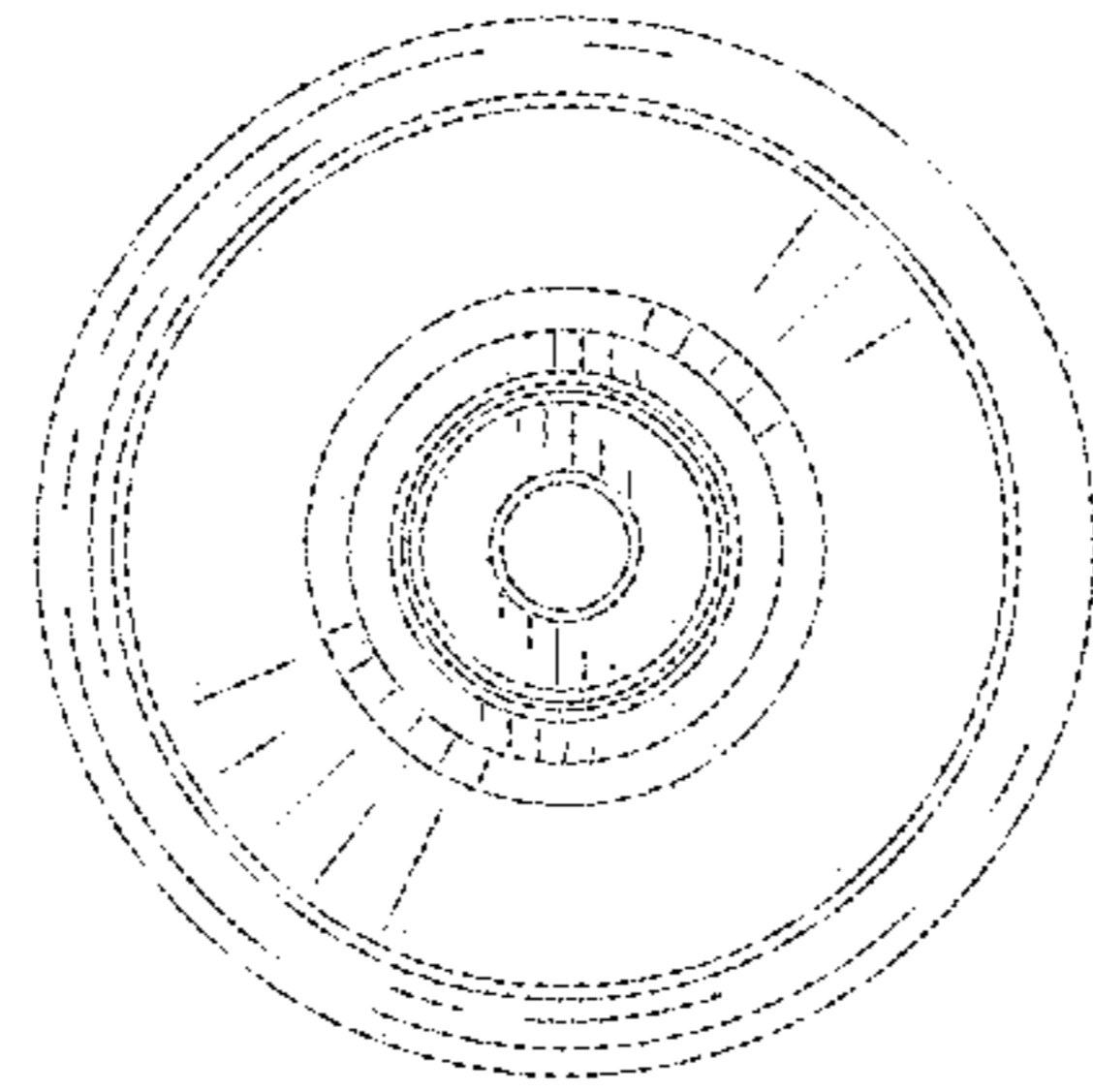


Fig. 3

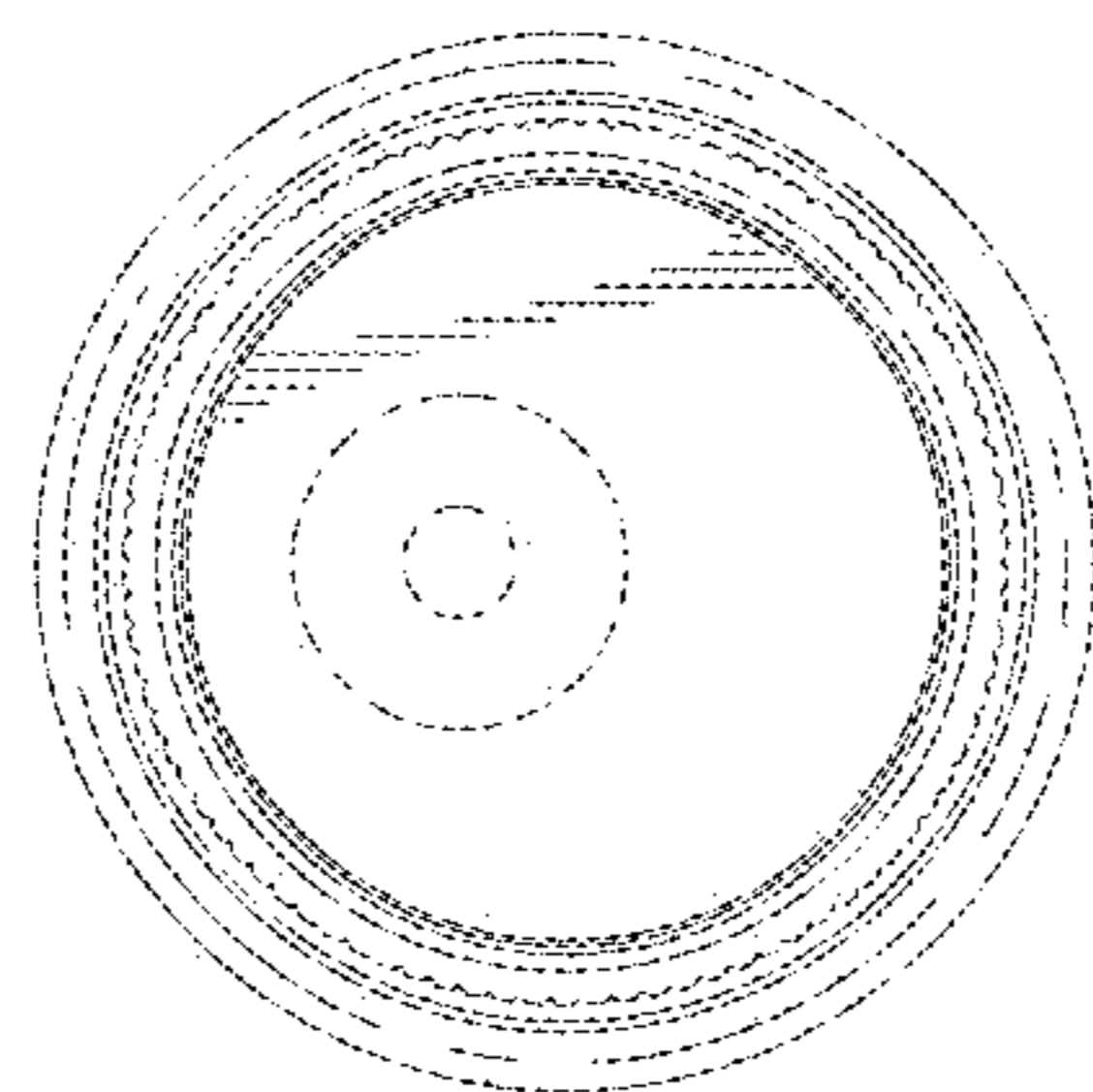


Fig. 4



Fig. 5

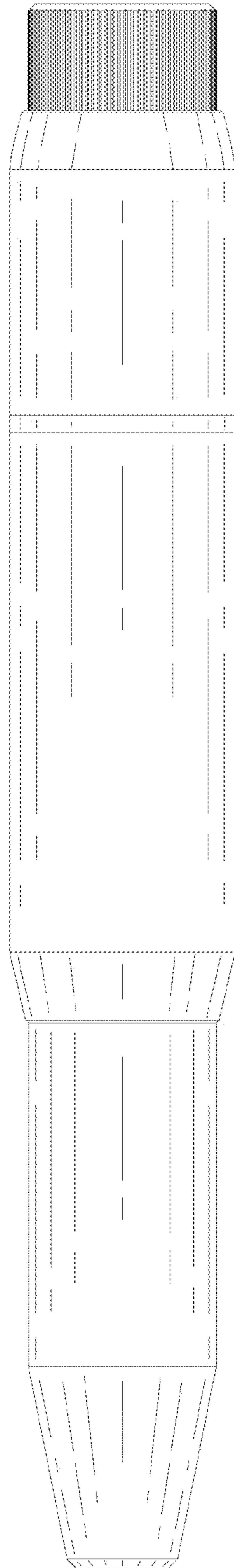


Fig. 6

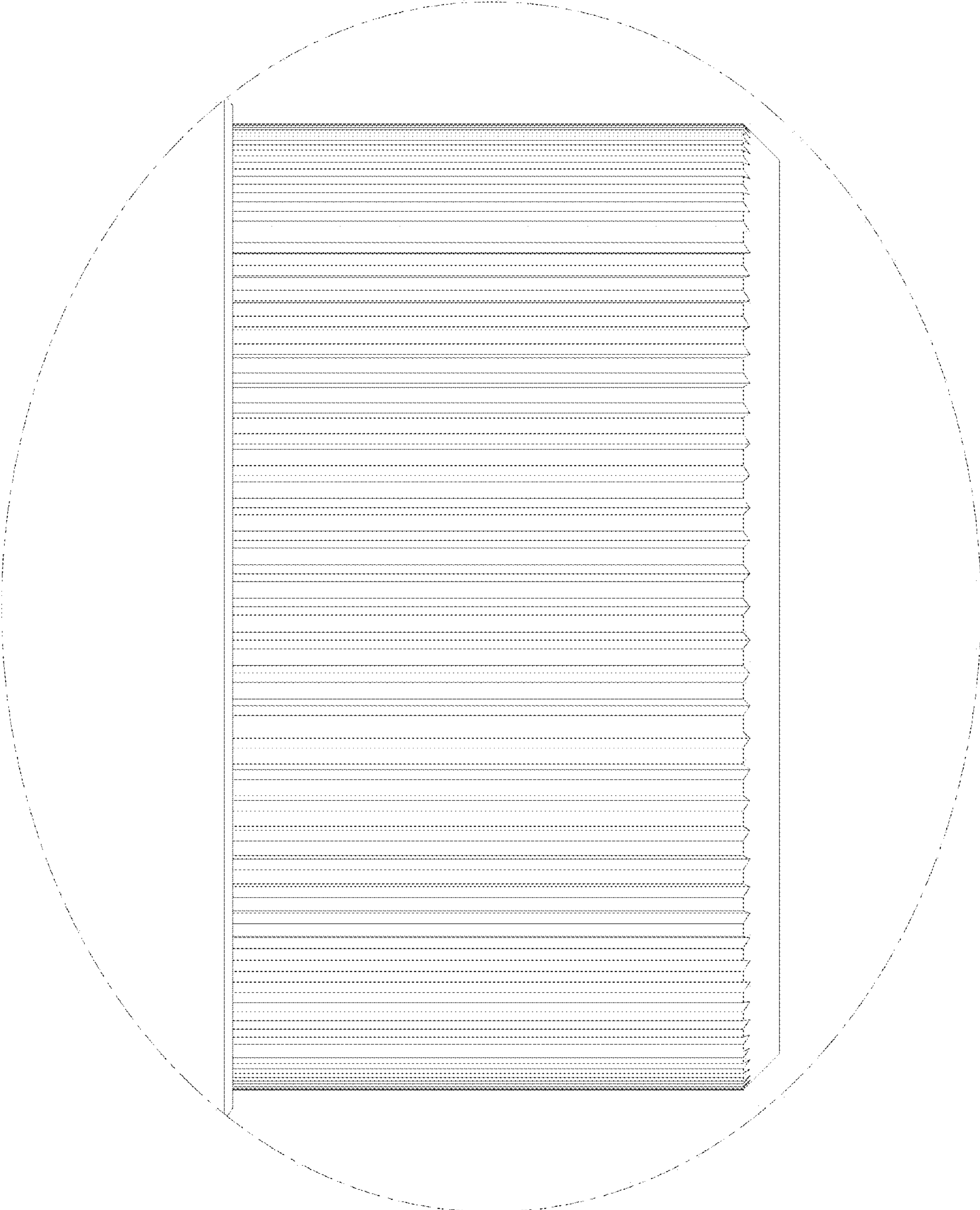


Fig. 7

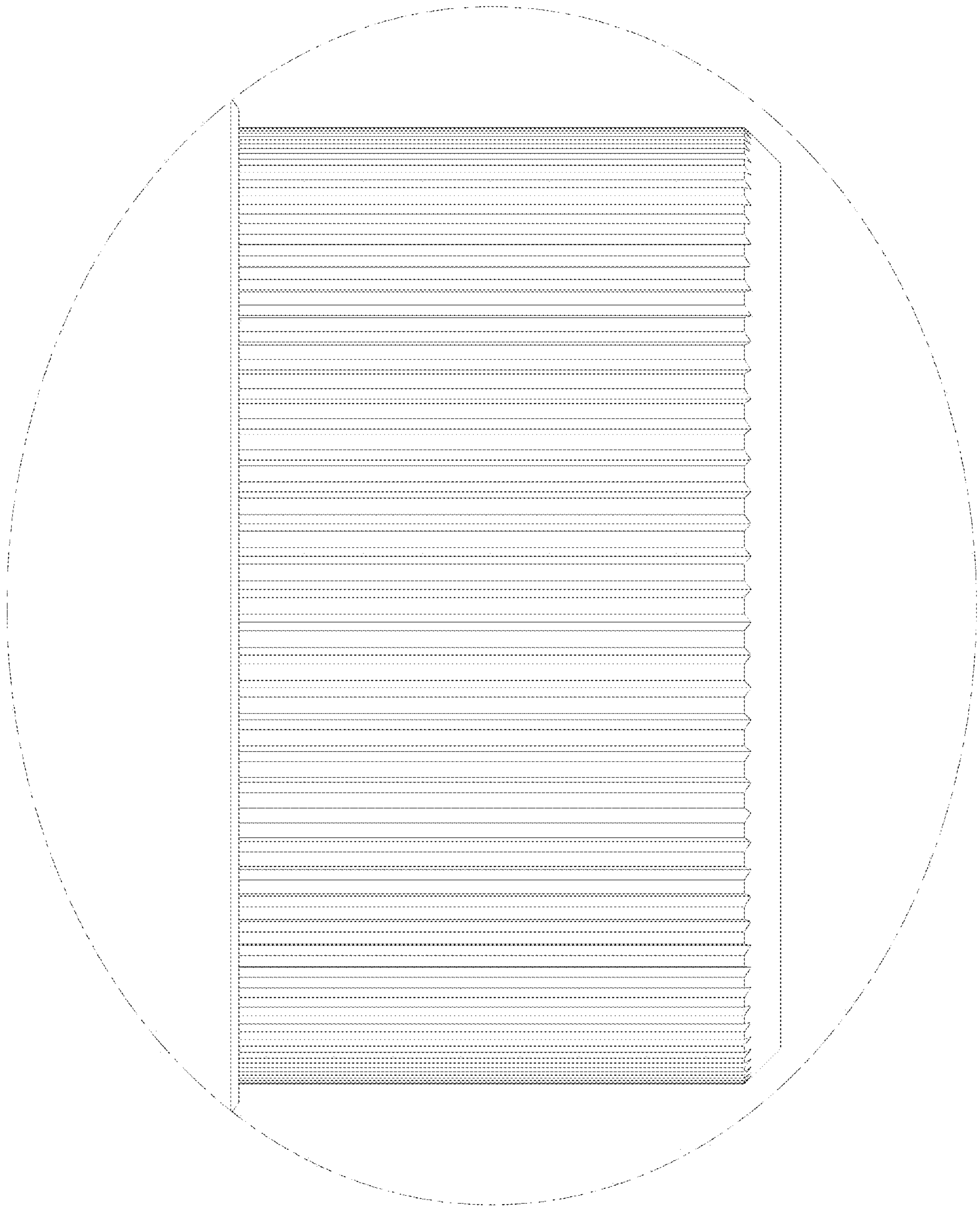


Fig.8

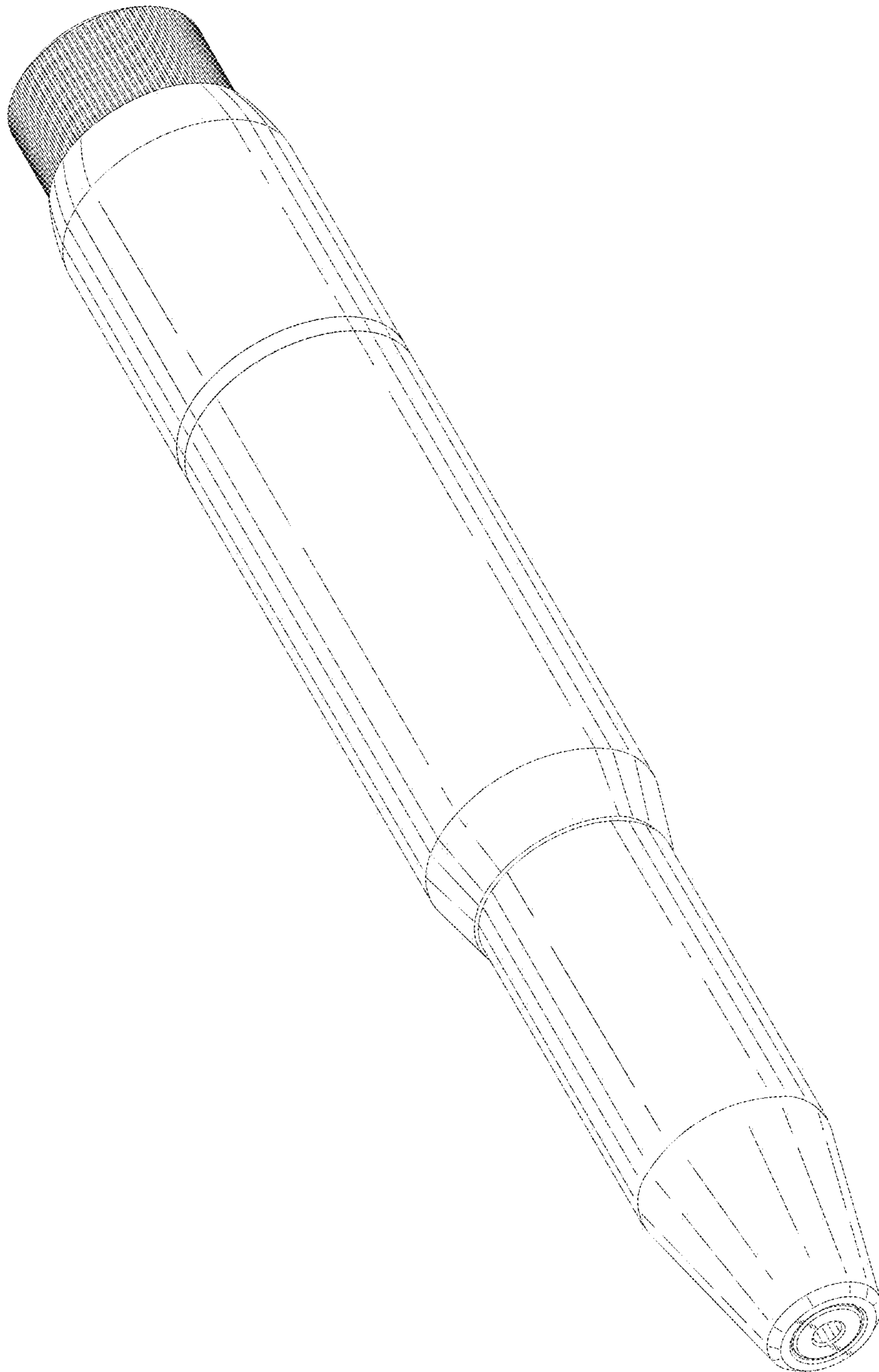


Fig. 9

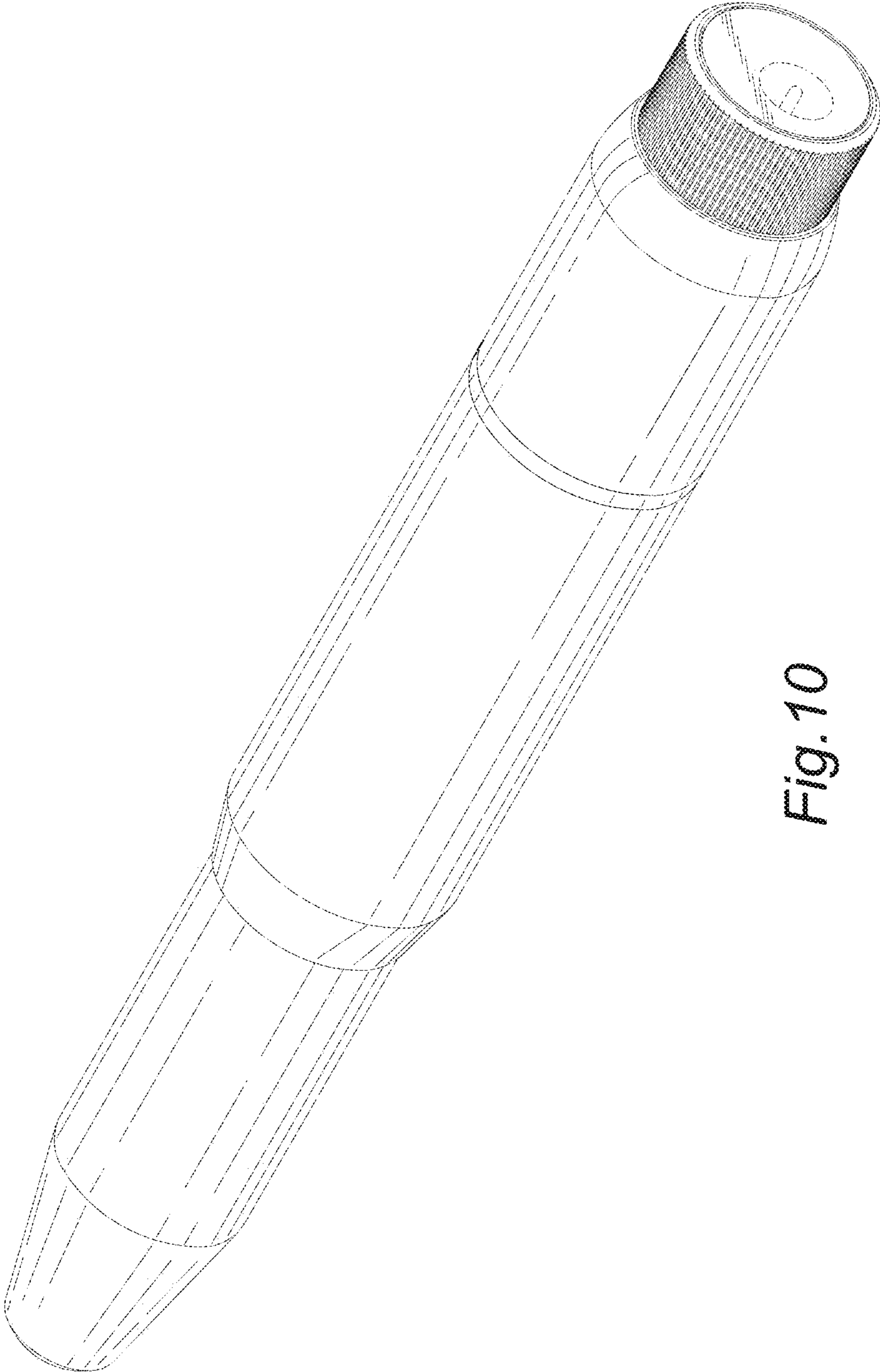


Fig. 10