



US00D940395S

(12) **United States Design Patent**  
**Prat-Pfister**

(10) **Patent No.:** **US D940,395 S**

(45) **Date of Patent:** **\*\* Jan. 4, 2022**

(54) **SHAVER HEAD**

(71) Applicant: **KONINKLIJKE PHILIPS N.V.**,  
Eindhoven (NL)

(72) Inventor: **Gael Louis Jacques Prat-Pfister**,  
Amersfoort (NL)

(73) Assignee: **KONINKLIJKE PHILIPS N.V.**,  
Eindhoven (NL)

(\*\*) Term: **15 Years**

(21) Appl. No.: **29/701,109**

(22) Filed: **Aug. 8, 2019**

(30) **Foreign Application Priority Data**

Feb. 11, 2019 (EP) ..... 006219036

(51) **LOC (13) Cl.** ..... **28-03**

(52) **U.S. Cl.**  
USPC ..... **D28/50**

(58) **Field of Classification Search**  
USPC ..... D28/50

CPC ..... B26B 19/14-18; B26B 19/3853-3866;  
B26B 19/3873-3886

See application file for complete search history.

(56) **References Cited**

**U.S. PATENT DOCUMENTS**

D389,273 S \* 1/1998 Bone ..... D28/50  
D405,922 S \* 2/1999 Bone ..... D28/50  
D412,599 S \* 8/1999 De Visser ..... D28/50  
D469,219 S \* 1/2003 McLachlan ..... D28/50

D495,092 S \* 8/2004 Massee ..... D28/50  
D506,037 S \* 6/2005 Massee ..... D28/50  
D513,342 S \* 12/2005 Sulik ..... D28/50  
D520,681 S \* 5/2006 Beedham ..... D28/50  
D550,901 S \* 9/2007 Massee ..... D28/50  
D620,198 S \* 7/2010 Nitz ..... D28/50  
D620,641 S \* 7/2010 Nitz ..... D28/50  
D748,857 S \* 2/2016 Boulanger ..... D28/50  
D758,659 S \* 6/2016 Smith ..... D28/50  
D776,348 S \* 1/2017 Frankel ..... D28/50  
D812,301 S \* 3/2018 Yan ..... D28/50  
D819,274 S \* 5/2018 Yan ..... D28/50  
D824,103 S \* 7/2018 Yan ..... D28/50  
D824,595 S \* 7/2018 Yan ..... D28/50  
D844,243 S \* 3/2019 Chen ..... D28/50  
D856,583 S \* 8/2019 Chen ..... D28/50  
D902,486 S \* 11/2020 Andersson ..... D28/50

\* cited by examiner

*Primary Examiner* — Jennifer Rivard

(57) **CLAIM**

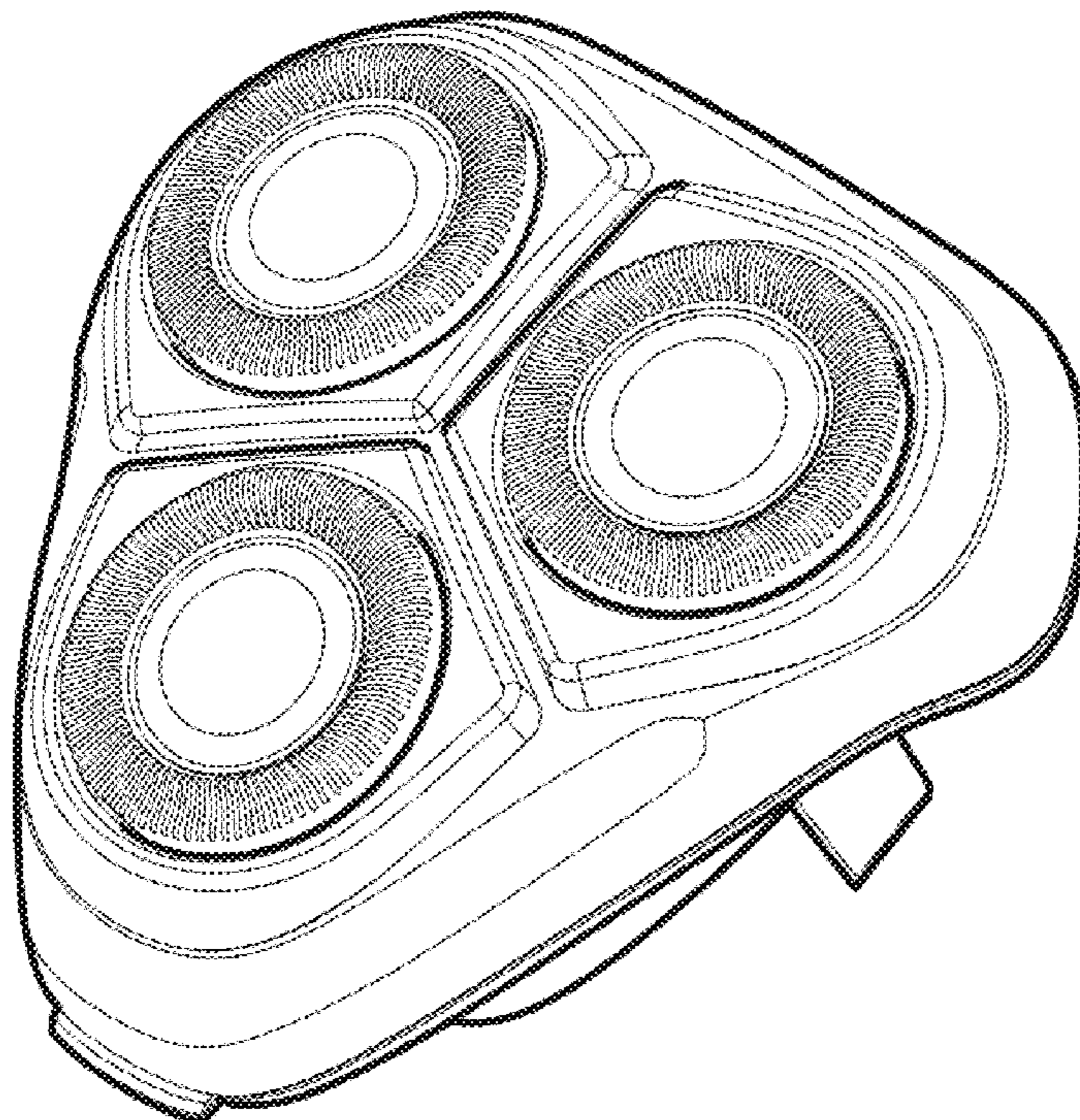
The ornamental design for a shaver head, as shown and described.

**DESCRIPTION**

FIG. 1 is a perspective view showing my design;  
FIG. 2 is a front elevational view thereof;  
FIG. 3 is a rear elevational view thereof;  
FIG. 4 is a right side elevational view thereof;  
FIG. 5 is a left side elevational view thereof;  
FIG. 6 is a top plan view thereof; and,  
FIG. 7 is a bottom plan view thereof.

The broken lines illustrate a portion of the shaver head and form no part of the claimed design.

**1 Claim, 2 Drawing Sheets**



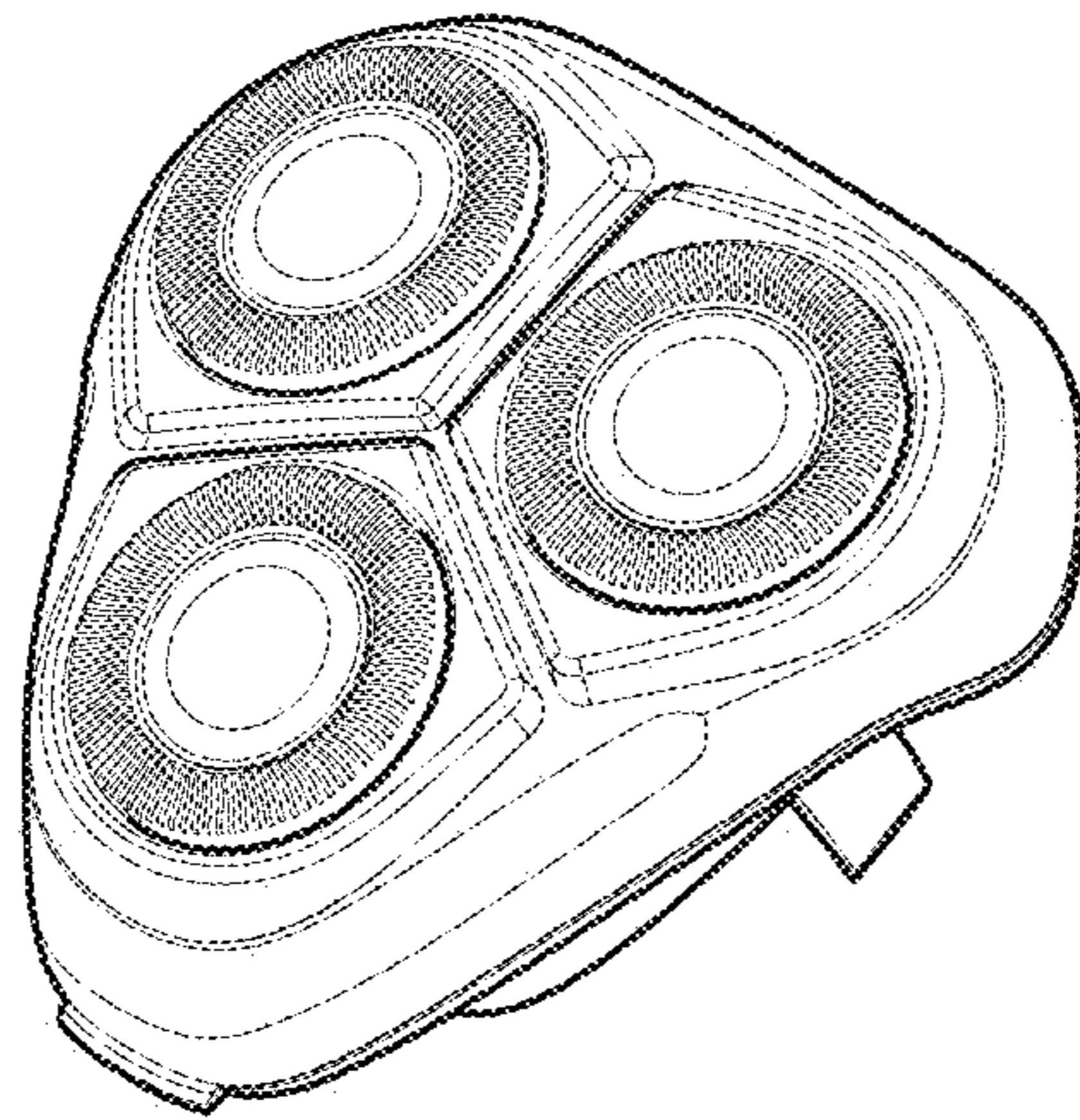


FIG. 1



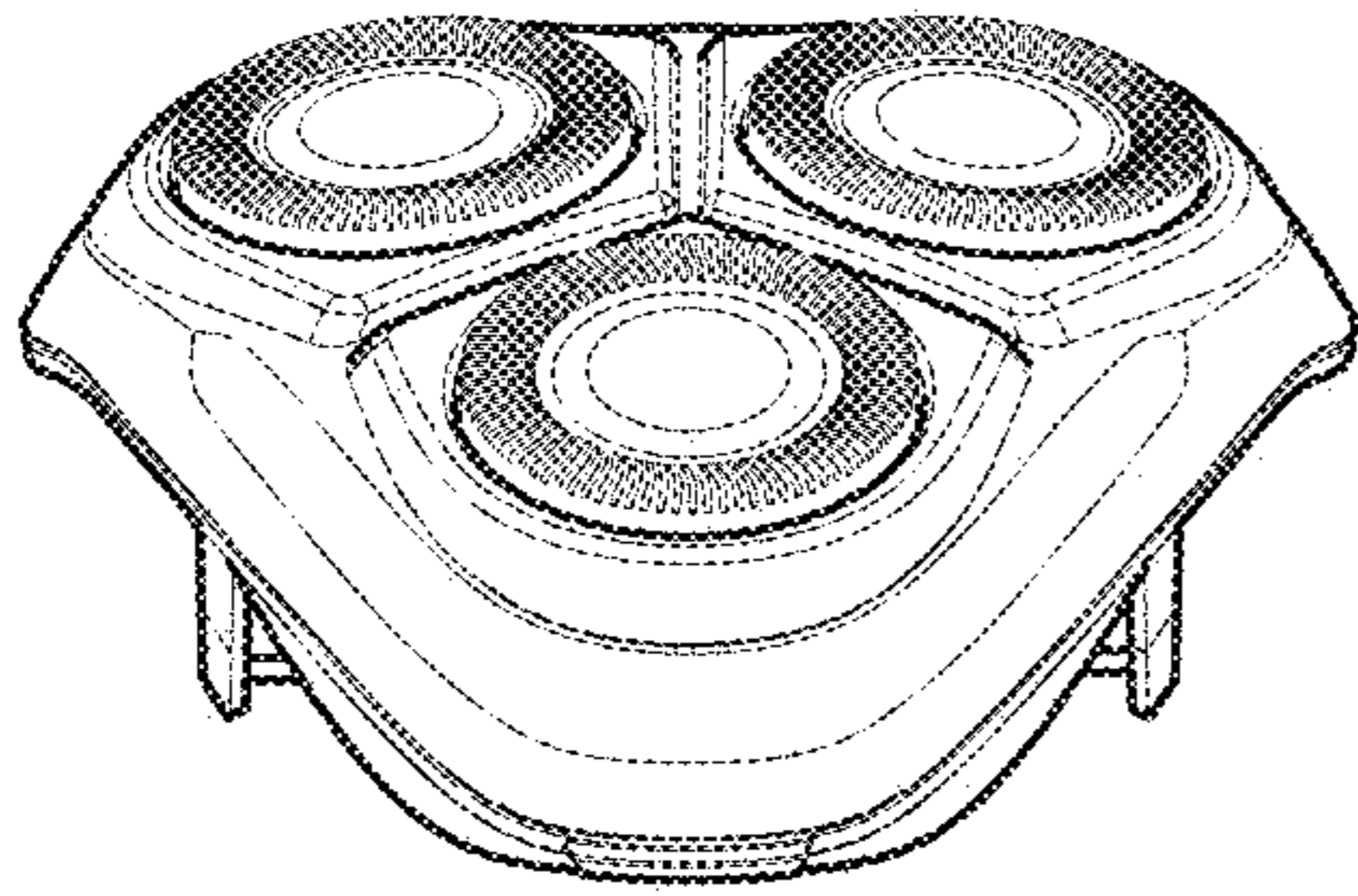


FIG. 2

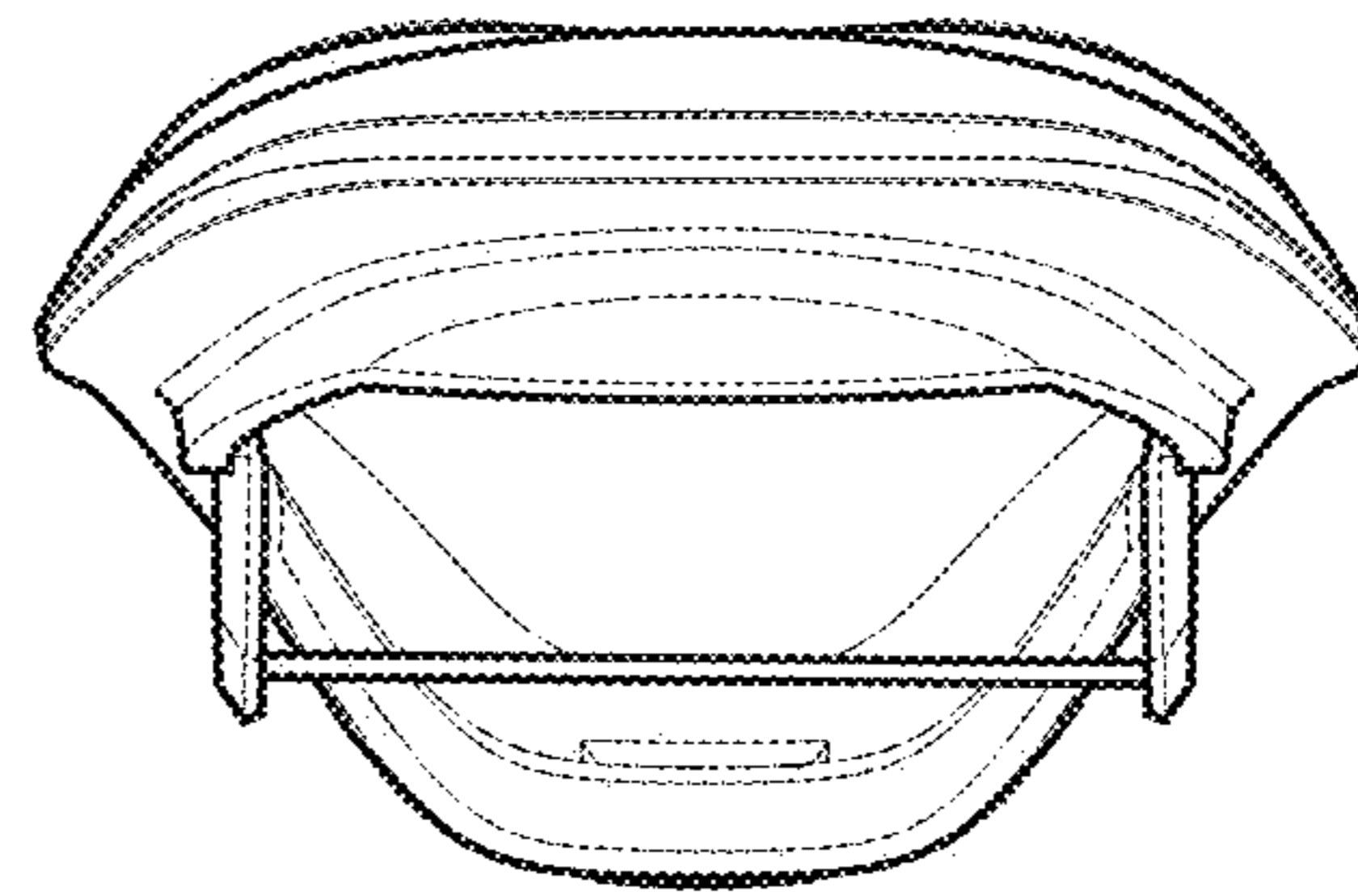


FIG. 3

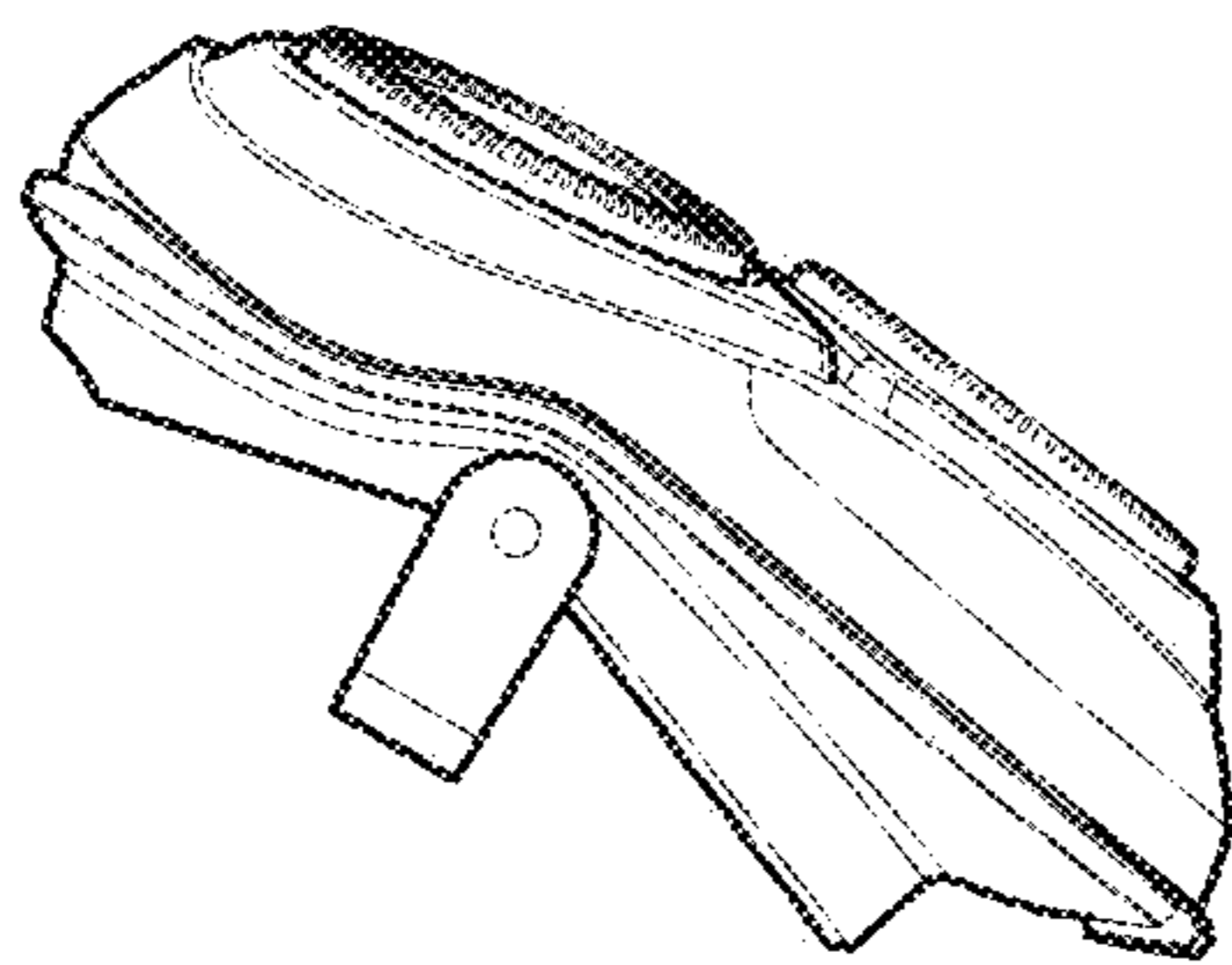


FIG. 4

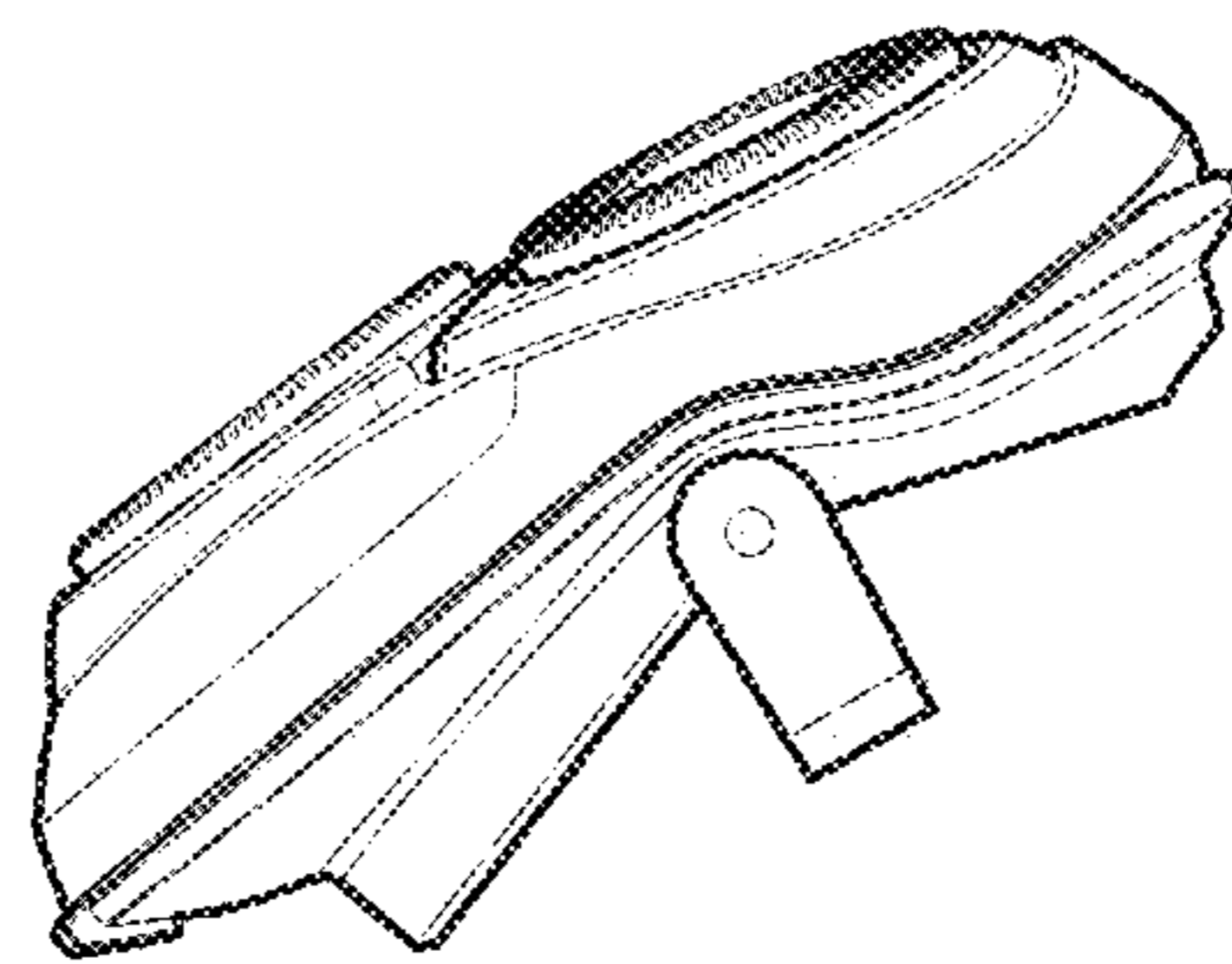


FIG. 5

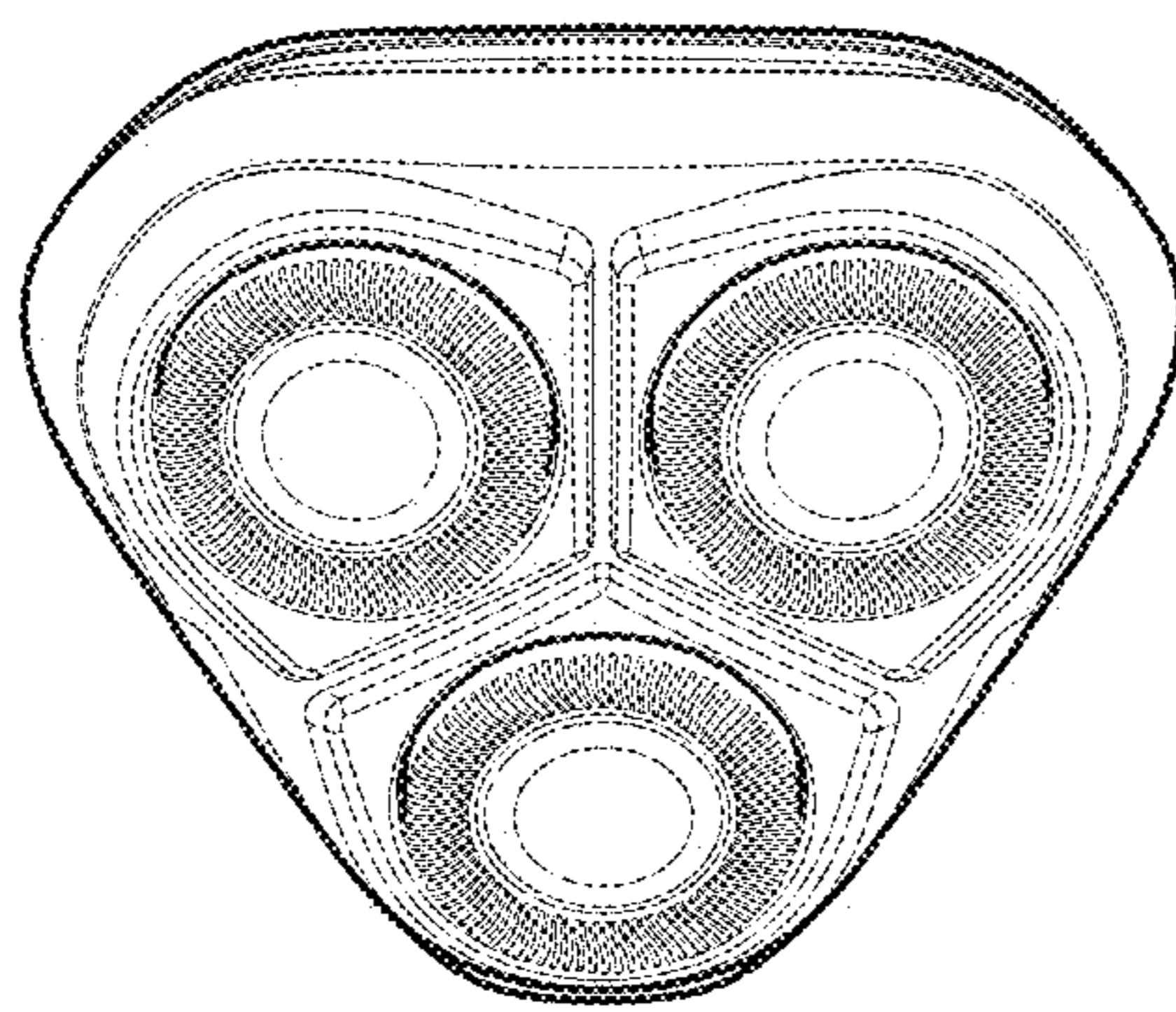


FIG. 6

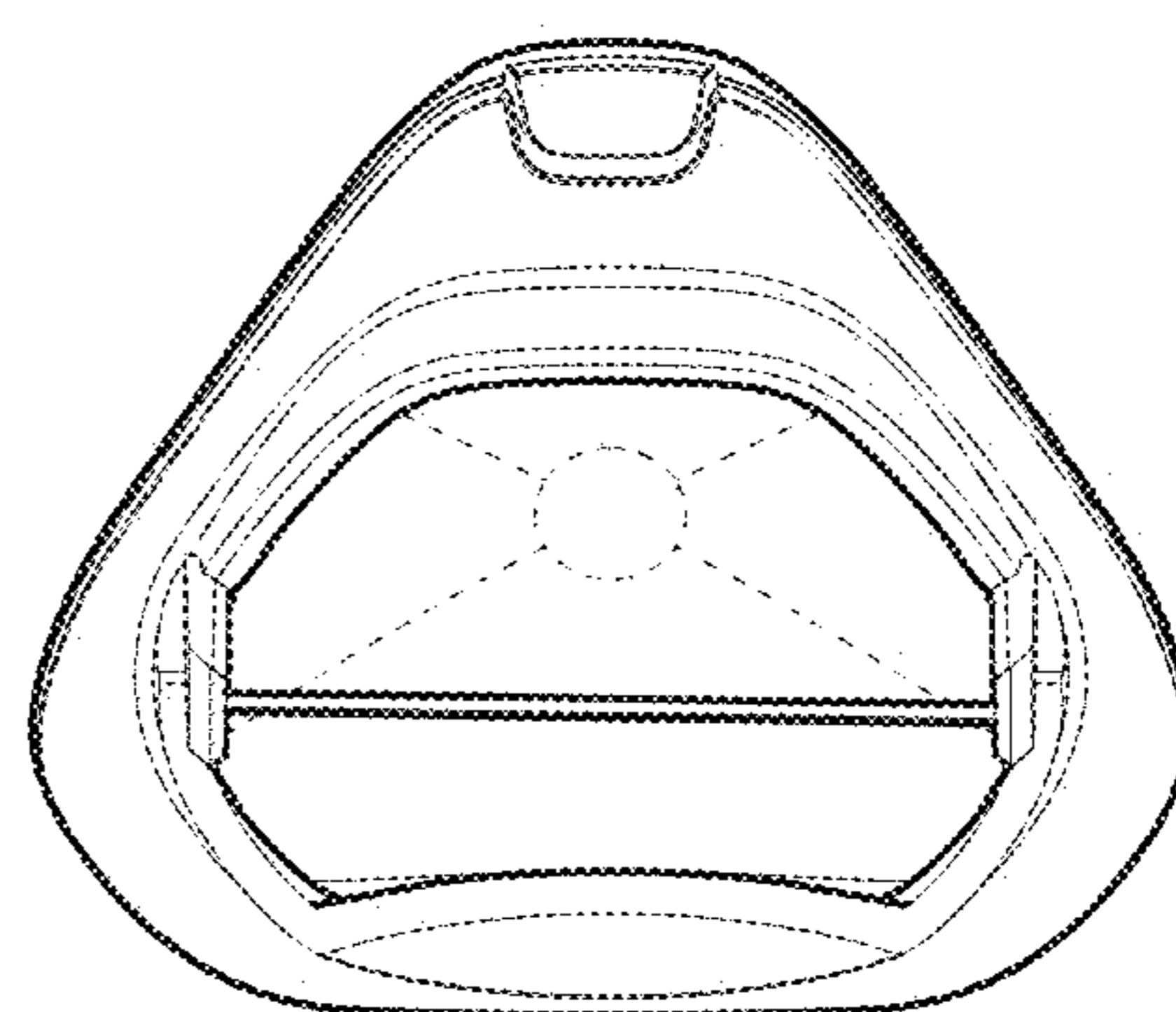


FIG. 7