



US00D940392S

(12) **United States Design Patent** (10) **Patent No.:** **US D940,392 S**
Shami (45) **Date of Patent:** **** Jan. 4, 2022**

(54) **BLOW DRYER**

(71) Applicant: **FAROUK SYSTEMS, INC.**, Houston, TX (US)

(72) Inventor: **Farouk M. Shami**, Houston, TX (US)

(73) Assignee: **Farouk Systems, Inc.**, Houston, TX (US)

(**) Term: **15 Years**

(21) Appl. No.: **29/720,448**

(22) Filed: **Jan. 13, 2020**

(51) **LOC (13) Cl.** **28-03**

(52) **U.S. Cl.**
USPC **D28/13; D28/18**

(58) **Field of Classification Search**
USPC D28/12-19; D8/29.1
CPC A45D 20/00; A45D 20/08; A45D 20/10;
A45D 20/12; A45D 20/122; A45D
20/124; A45D 2020/128
See application file for complete search history.

(56) **References Cited**

U.S. PATENT DOCUMENTS

D256,281 S *	8/1980	Rosse	D28/13
D259,665 S *	6/1981	Cousins	D28/13
D296,070 S *	6/1988	Cunningham	D28/13
D305,157 S *	12/1989	Kim	D28/15
D310,733 S *	9/1990	Gelinas	D28/13
D343,698 S *	1/1994	Sharples	D28/13
D367,128 S *	2/1996	Rizzuto	D28/13
D758,012 S *	5/2016	Bates	D28/13
D850,716 S *	6/2019	Jin	D28/13
D859,738 S *	9/2019	Huang	D28/13
D893,097 S *	8/2020	Huang	D28/13
D901,766 S *	11/2020	Huang	D28/13
D903,194 S *	11/2020	Huang	D28/13

* cited by examiner

Primary Examiner — Zenia I Bennett

(74) Attorney, Agent, or Firm — Blank Rome LLP

(57) **CLAIM**

I claim the ornamental design for a blow dryer, as shown and described.

DESCRIPTION

This application is filed during the pendency of U.S. Design application Ser. No. 29/716,137, filed 6 Dec. 2019, which is incorporated herein by reference in its entirety.

FIG. 1 is a front perspective view of a blow dryer, showing my new design with a nozzle attached;

FIG. 2 is another front perspective view thereof, showing my new design without the nozzle attached;

FIG. 3 is a rear perspective view thereof;

FIG. 4 is a left side elevational view thereof, the right side being a mirror image;

FIG. 5 is a front elevational view thereof;

FIG. 6 is a rear elevational view thereof;

FIG. 7 is a top plan view thereof; and,

FIG. 8 is a bottom plan view thereof.

The broken lines showing of a nozzle in FIGS. 1, 3-5, 7 and 8 are for illustrating unclaimed portions of the claimed design.

The circular broken line showing of a rear inlet in FIGS. 3 and 6 are for illustrating unclaimed boundary of the claimed design.

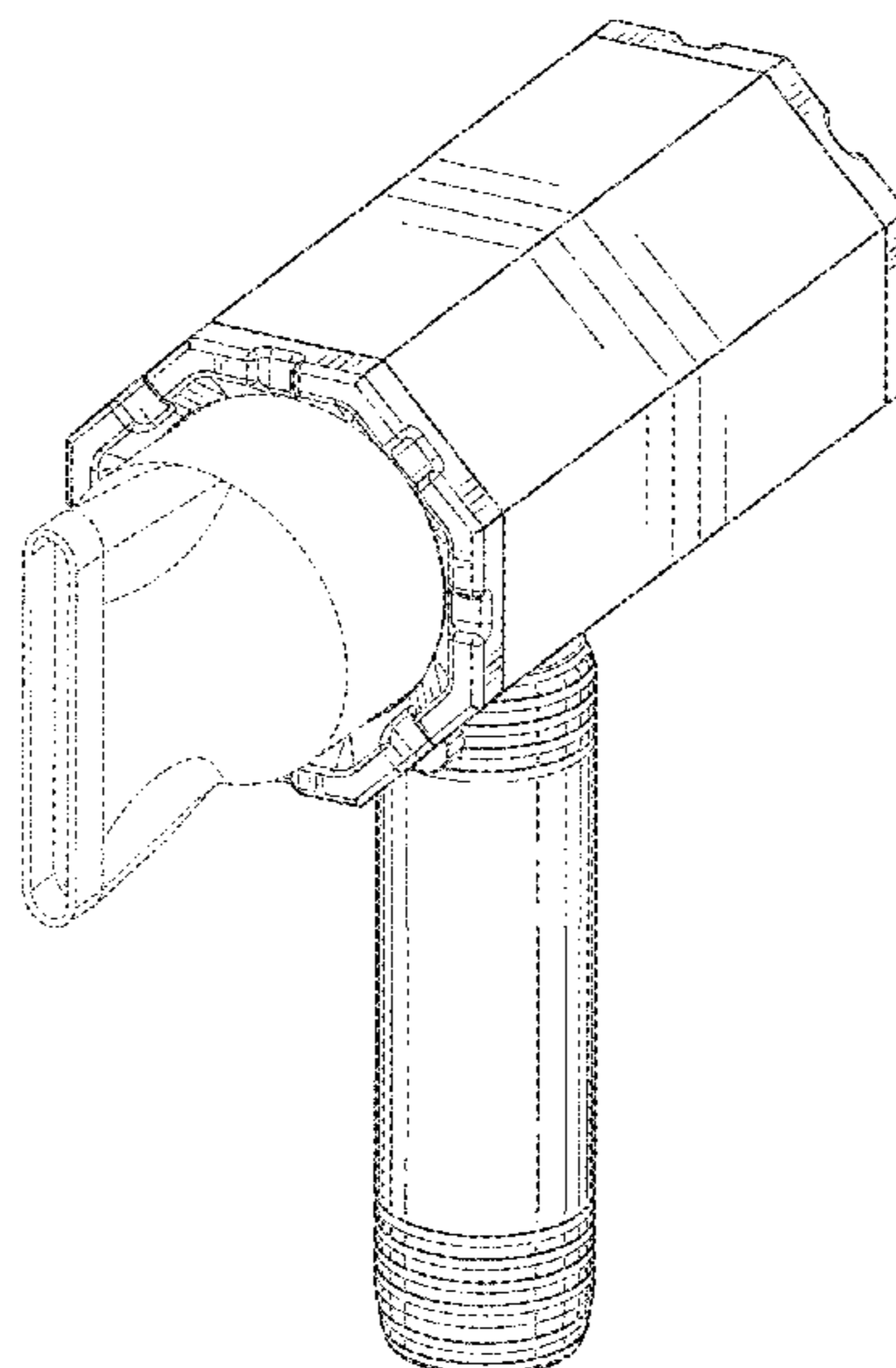
The circular broken line showing of a front outlet in FIG. 2 is for illustrating unclaimed boundary of the claimed design.

The broken lines showing of a button on the handle in FIGS. 1-2, 4-5, and 8 are for illustrating unclaimed portions of the claimed design.

The broken lines showing of a switch on the handle in FIGS. 3-4, 6, and 8 are for illustrating unclaimed portions of the claimed design.

The broken lines showing on the bottom of the handle in FIG. 8 is for illustrating unclaimed boundary of the claimed design.

1 Claim, 8 Drawing Sheets



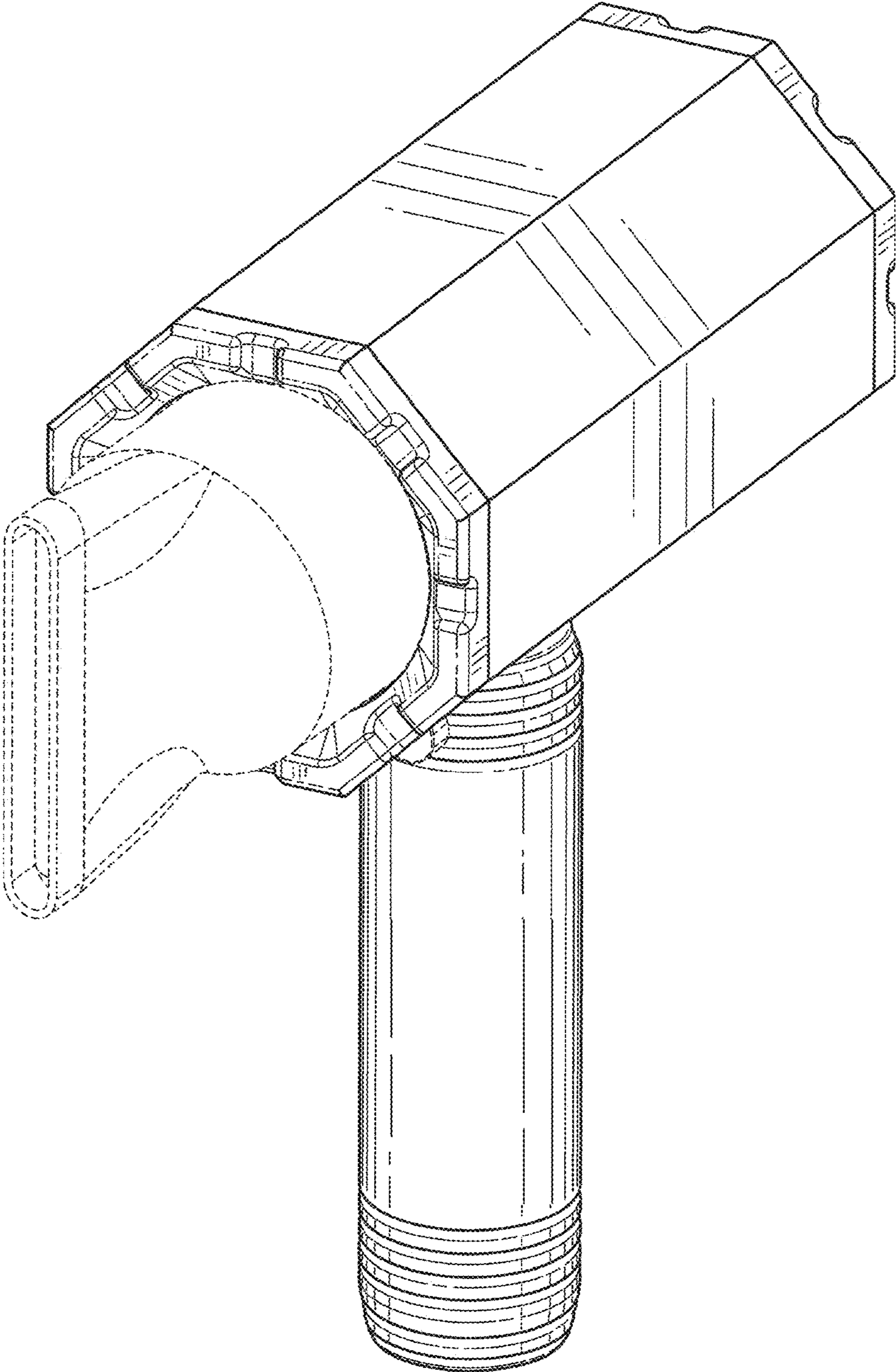


FIG. 1

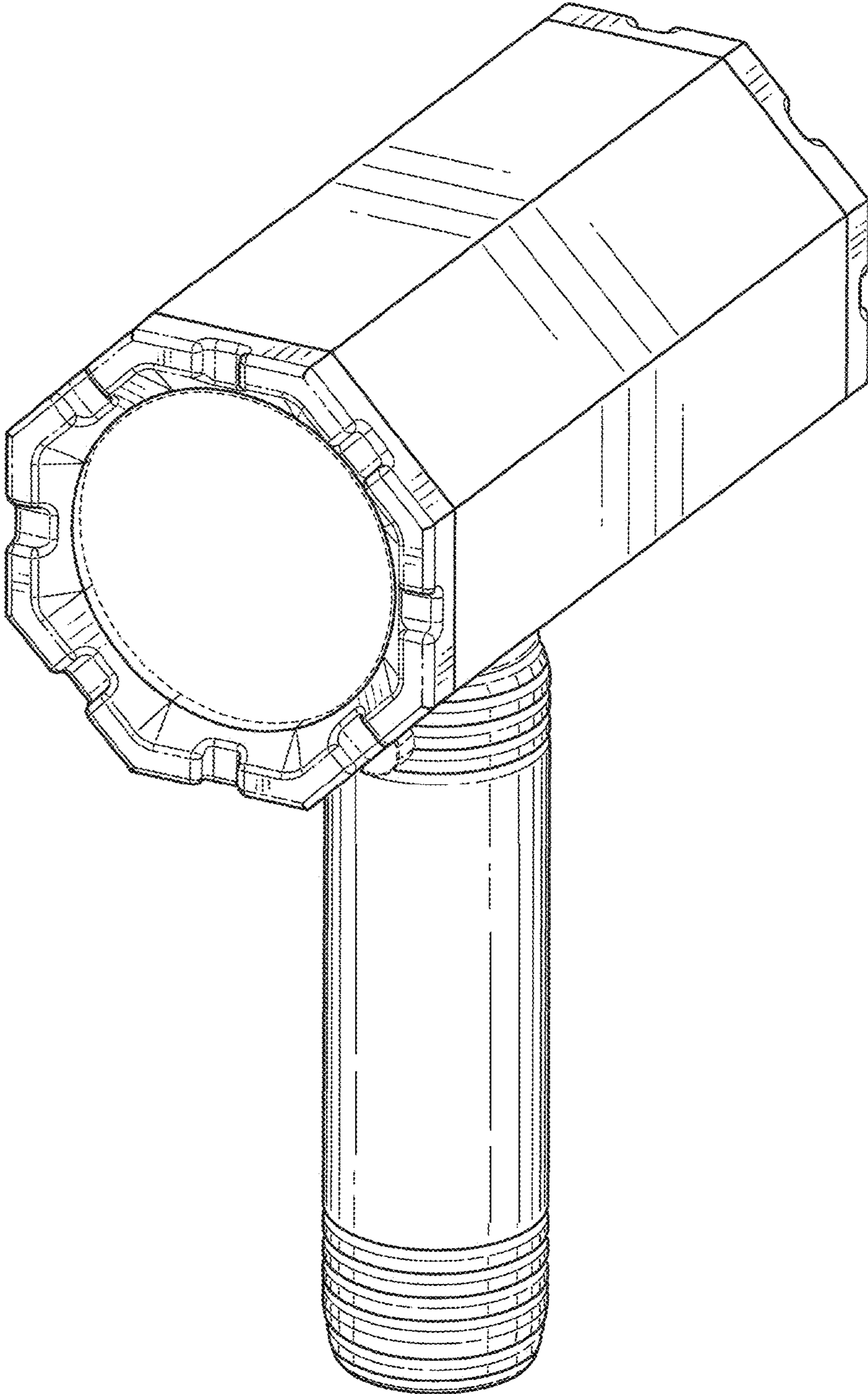


FIG. 2

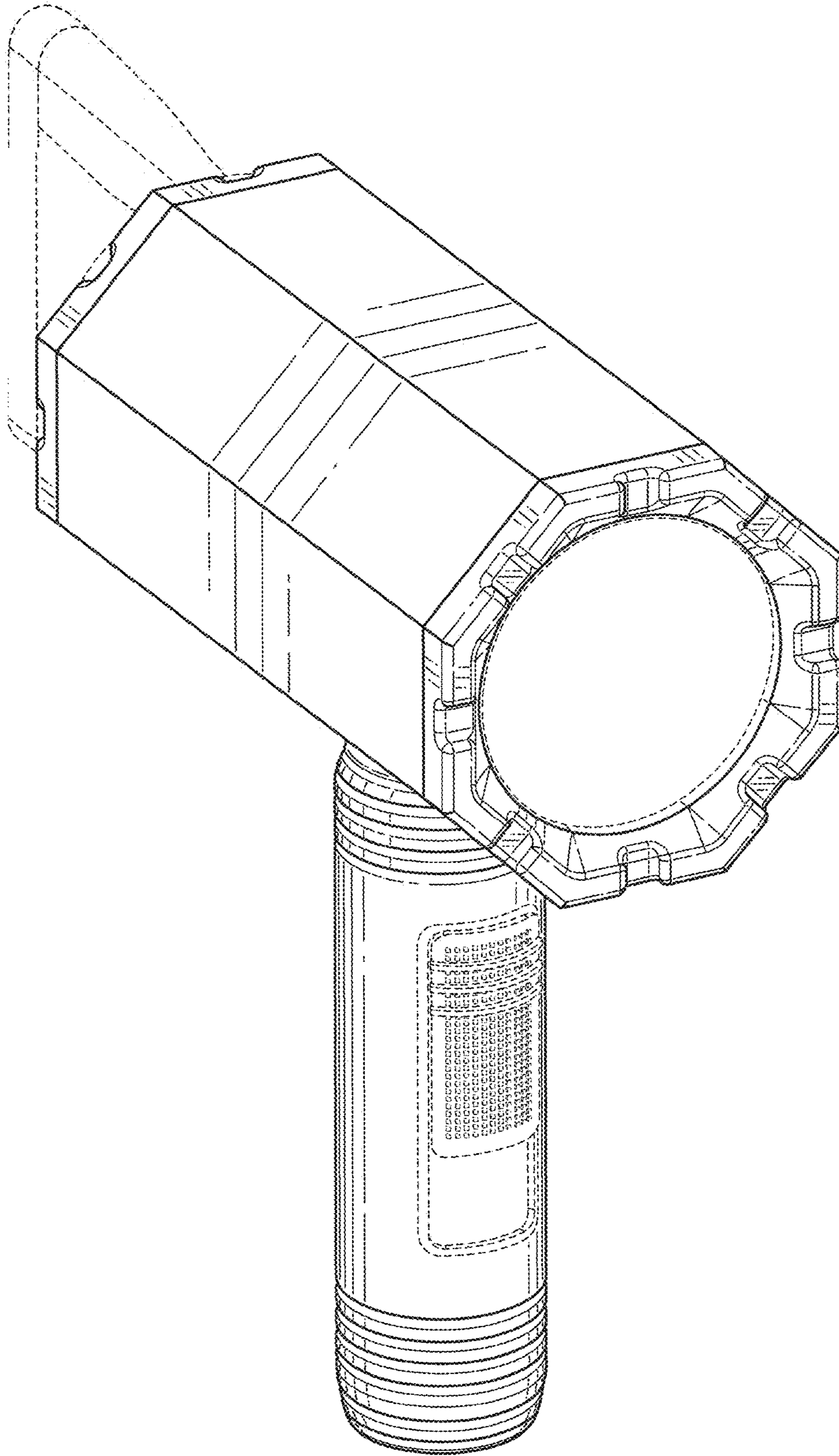


FIG. 3

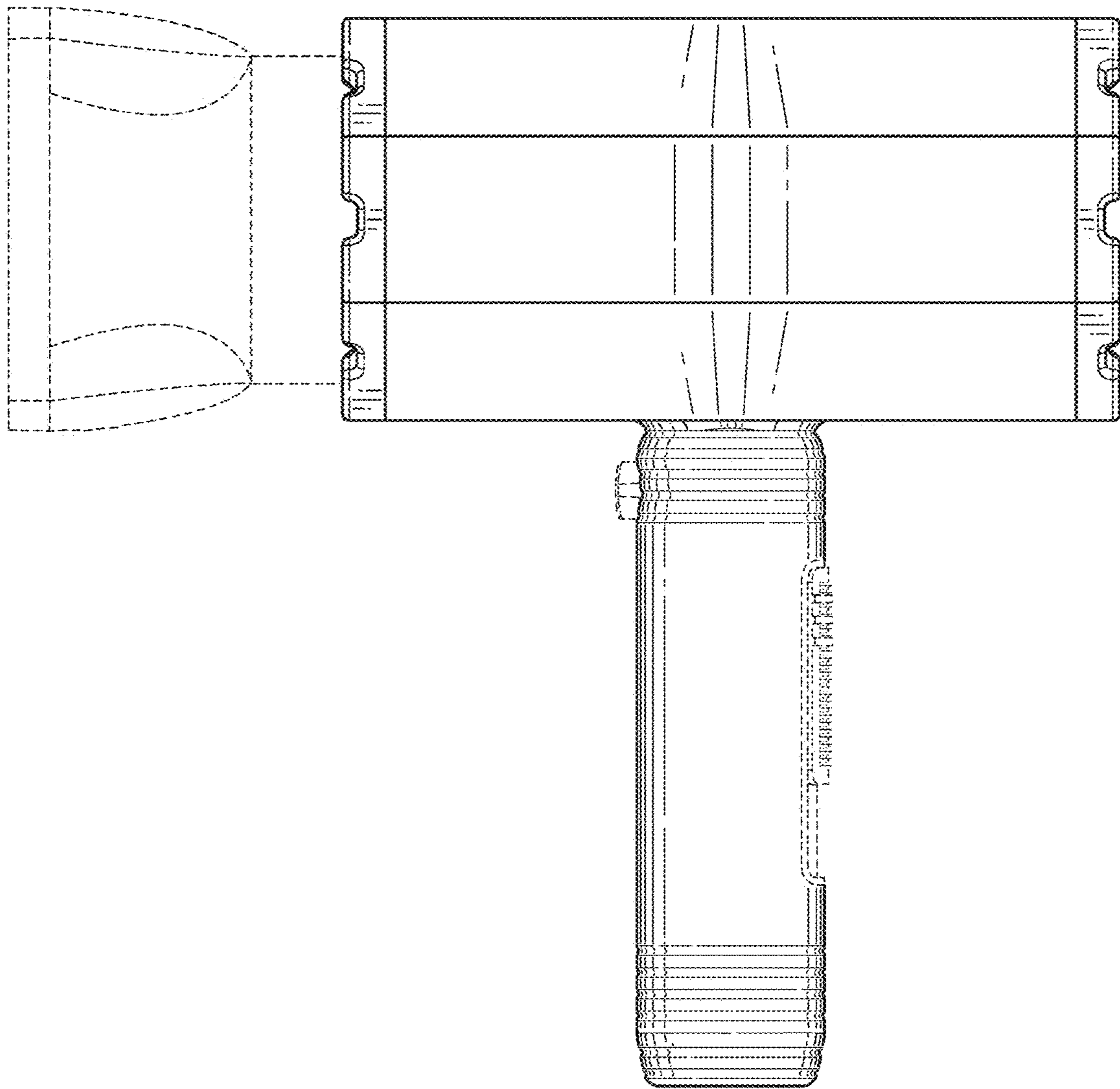


FIG. 4

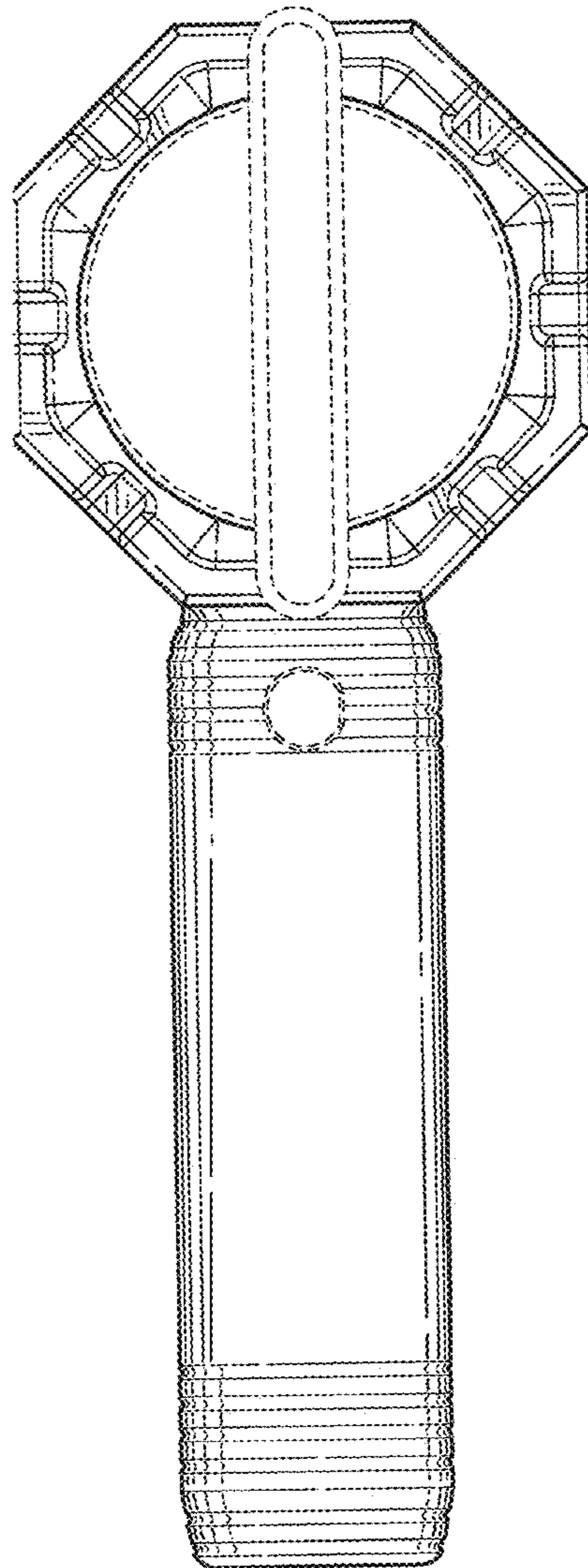


FIG. 5

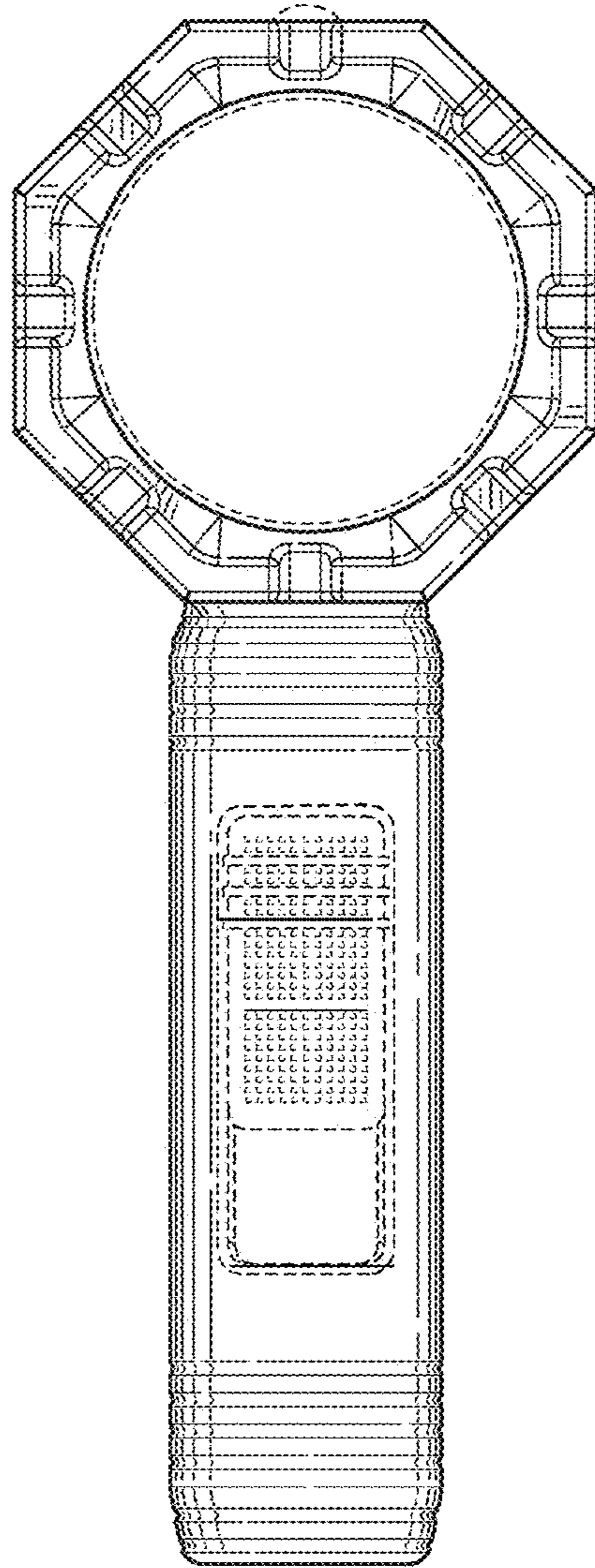


FIG. 6

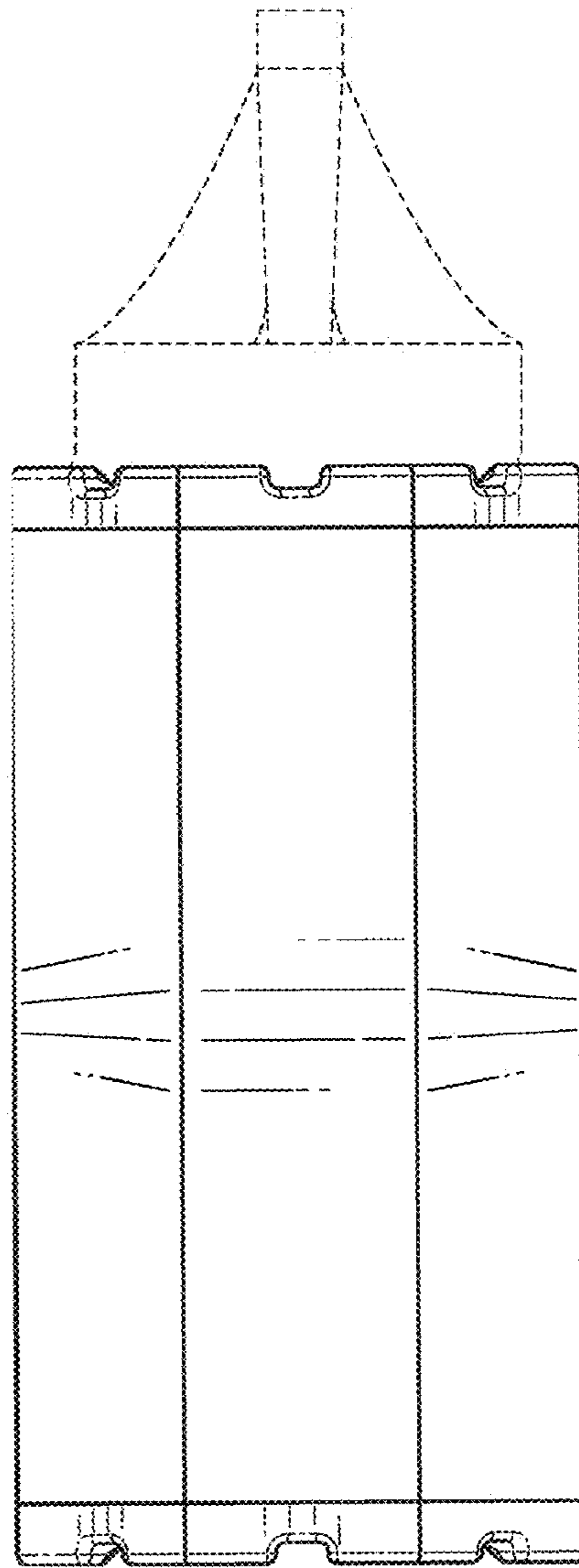


FIG. 7

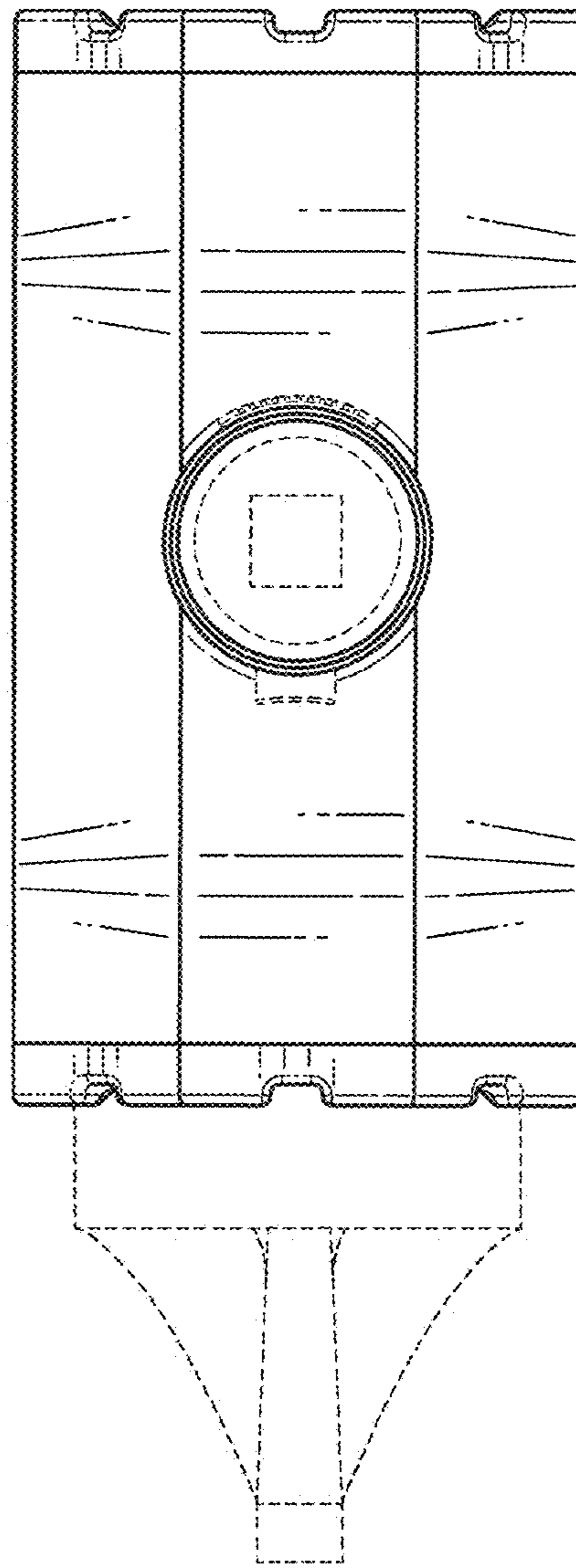


FIG. 8