



US00D940389S

(12) **United States Design Patent**  
**Daw**

(10) **Patent No.:** **US D940,389 S**  
(45) **Date of Patent:** **\*\* Jan. 4, 2022**

(54) **CIGARETTE MAKING MACHINE**

(71) Applicant: **Golden Valley USA, Inc.**, Fridley, MN (US)  
(72) Inventor: **Fady Daw**, Fridley, MN (US)  
(73) Assignee: **Golden Valley USA, Inc.**, Fridley, MN (US)

(\*\*) Term: **15 Years**

(21) Appl. No.: **29/734,459**

(22) Filed: **May 12, 2020**

(51) **LOC (13) Cl.** ..... **27-99**

(52) **U.S. Cl.**  
USPC ..... **D27/194**

(58) **Field of Classification Search**  
USPC ..... D27/100, 101, 102, 103, 105, 113, 114, D27/118, 125, 127, 128, 137, 138, 142, D27/144, 161, 162, 163, 164, 165, 166, D27/167, 168, 169, 170, 171, 172, 173, D27/174, 175, 176, 177, 178, 179, 180, D27/181, 182, 183, 184, 185, 186, 187, D27/188, 189, 190, 191, 192, 193, 194, D27/195, 196

CPC .... A24C 5/06; A24C 5/40; A24C 5/02; A24C 5/39; A24C 5/005; A24C 5/42; A24C 5/425; A24C 5/10; A24C 5/327; A24C 5/3412; A24C 5/396; A24C 5/01; A24C 5/397; A24C 5/475; A24C 5/478; A24C 5/08; A24C 5/12; A24C 5/18; A24C 5/185; A24C 5/1871; A24C 5/1892; A24C 5/20; A24C 5/28; A24C 5/321; A24C 5/325; A24C 5/326; A24C 5/34; A24C 5/343; A24C 5/35; A24C 5/354; A24C 5/36; A24C 5/38; A24C 5/391; A24C 5/394; A24C 5/395; A24C 5/44; A24C 5/46; A24C 5/47; A24C 5/471; A24C 5/474; A24C 5/586; A24C 5/601; A24F 40/70; A24F 40/10; A24F 40/42; A24F 40/20; A24F 40/46;

(Continued)

(56) **References Cited**

U.S. PATENT DOCUMENTS

2,731,971 A \* 1/1956 Kastner ..... A24C 5/42 131/70  
3,127,900 A \* 4/1964 Kastner ..... A24C 5/425 131/70

(Continued)

OTHER PUBLICATIONS

New Top-O-Matic Cigarette Rolling Machine. By Lighter USA. Dated Apr. 3, 2009. Found online [Aug. 5, 2021]. <https://www.amazon.com/New-Top-O-Matic-Cigarette-Rolling-Machine/dp/B0024S00VA> (Year: 2009).\*

*Primary Examiner* — Marissa J Cash

*Assistant Examiner* — William B Melliar

(74) *Attorney, Agent, or Firm* — Intellectual Property Consulting, LLC; Stephen M. Kepper

(57) **CLAIM**

The ornamental design for a cigarette making machine, as shown and described.

**DESCRIPTION**

FIG. 1 is a front, perspective view of a cigarette making machine.

FIG. 2 is a back, perspective view of a cigarette making machine.

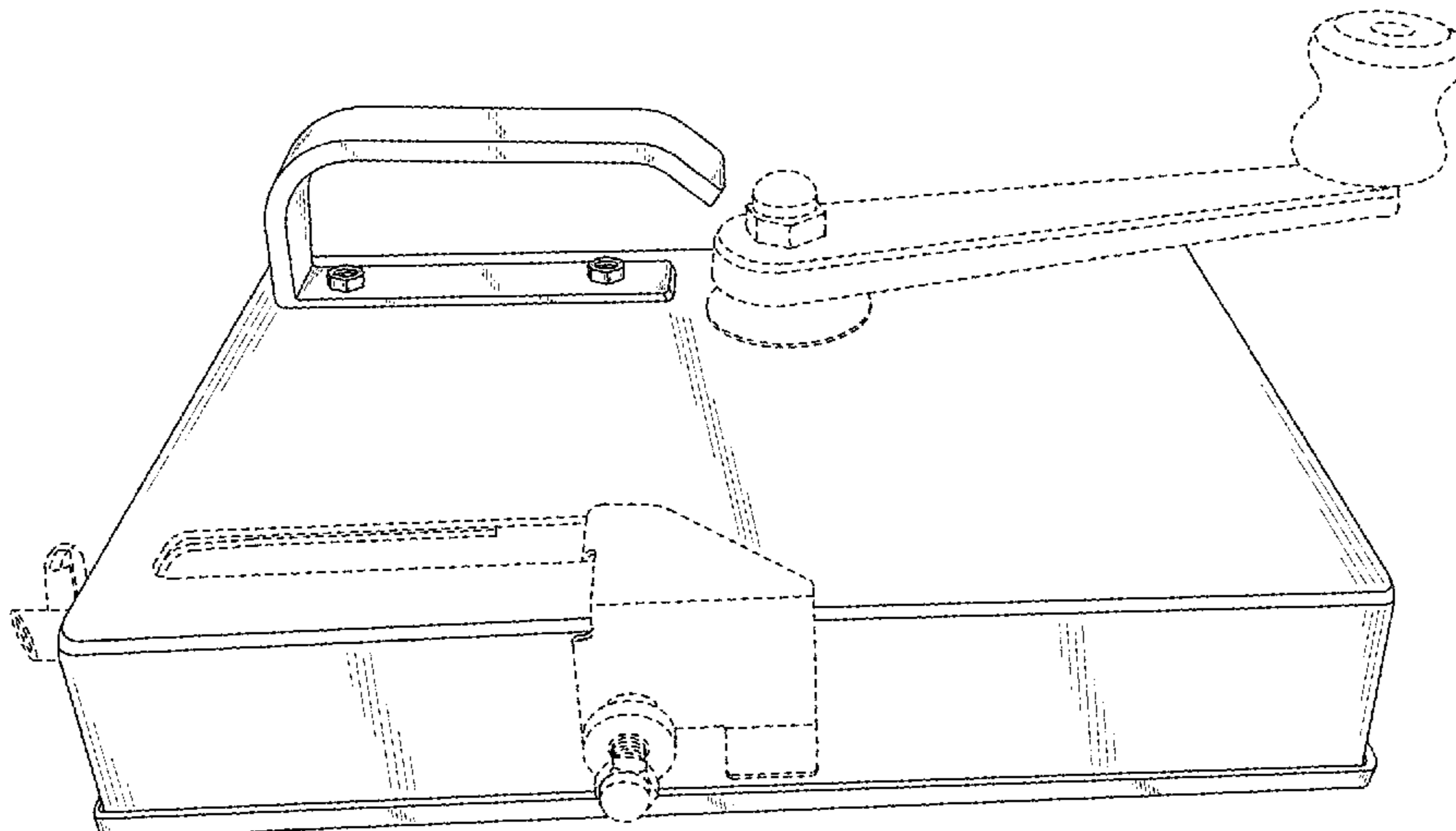
FIG. 3 is a side, perspective view of a cigarette making machine; and,

FIG. 4 is a side, perspective view of a cigarette making machine.

The figures do not show a view of the bottom of the cigarette making machine since it is flat and devoid of surface ornamentation.

The broken lines shown in the drawings depict portions of the cigarette making machine that form no part of the claimed design.

**1 Claim, 4 Drawing Sheets**



(58) **Field of Classification Search**

CPC ..... A24F 40/80; A24D 3/0287; A24D 1/025;  
A24D 1/02; A24D 1/00; A24D 1/04;  
A24D 1/14; A24D 3/0229; A24D 3/0233;  
A24D 3/027; A24D 3/0279; A24D  
3/0295; A24D 3/04

See application file for complete search history.

(56) **References Cited**

U.S. PATENT DOCUMENTS

D522,691 S \* 6/2006 Willis ..... D27/184  
D553,793 S \* 10/2007 Lin ..... D27/194  
D579,150 S \* 10/2008 Lin ..... D27/184  
D613,032 S \* 4/2010 Lin ..... D27/194  
D659,901 S \* 5/2012 Lin ..... D27/194  
D665,126 S \* 8/2012 Lin ..... D27/194  
D692,616 S \* 10/2013 Patel ..... D27/194  
D700,399 S \* 2/2014 Lin ..... D27/194  
D881,464 S \* 4/2020 Lin ..... D27/194  
D902,479 S \* 11/2020 Liu ..... D27/184  
2002/0189623 A1\* 12/2002 Kastner ..... A24C 5/42  
131/70  
2007/0235045 A1\* 10/2007 Lin ..... A24C 5/425  
131/27.1  
2007/0295343 A1\* 12/2007 Susanto ..... A24C 5/40  
131/58  
2012/0312311 A1\* 12/2012 Lin ..... A24C 5/42  
131/70  
2013/0152952 A1\* 6/2013 Bao ..... A24C 5/42  
131/70  
2014/0202471 A1\* 7/2014 Bao ..... A24C 5/42  
131/108

\* cited by examiner

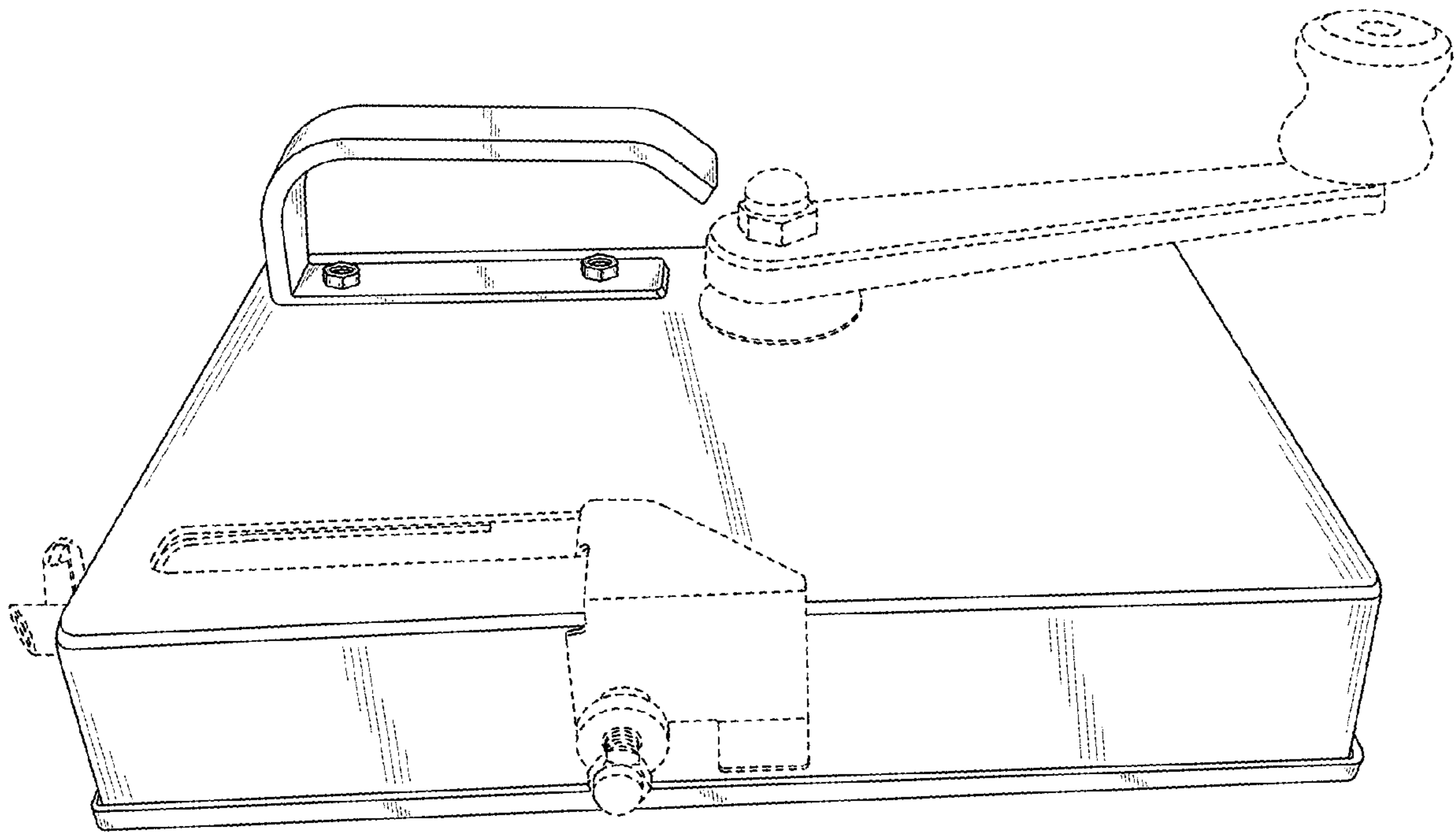


FIG. 1

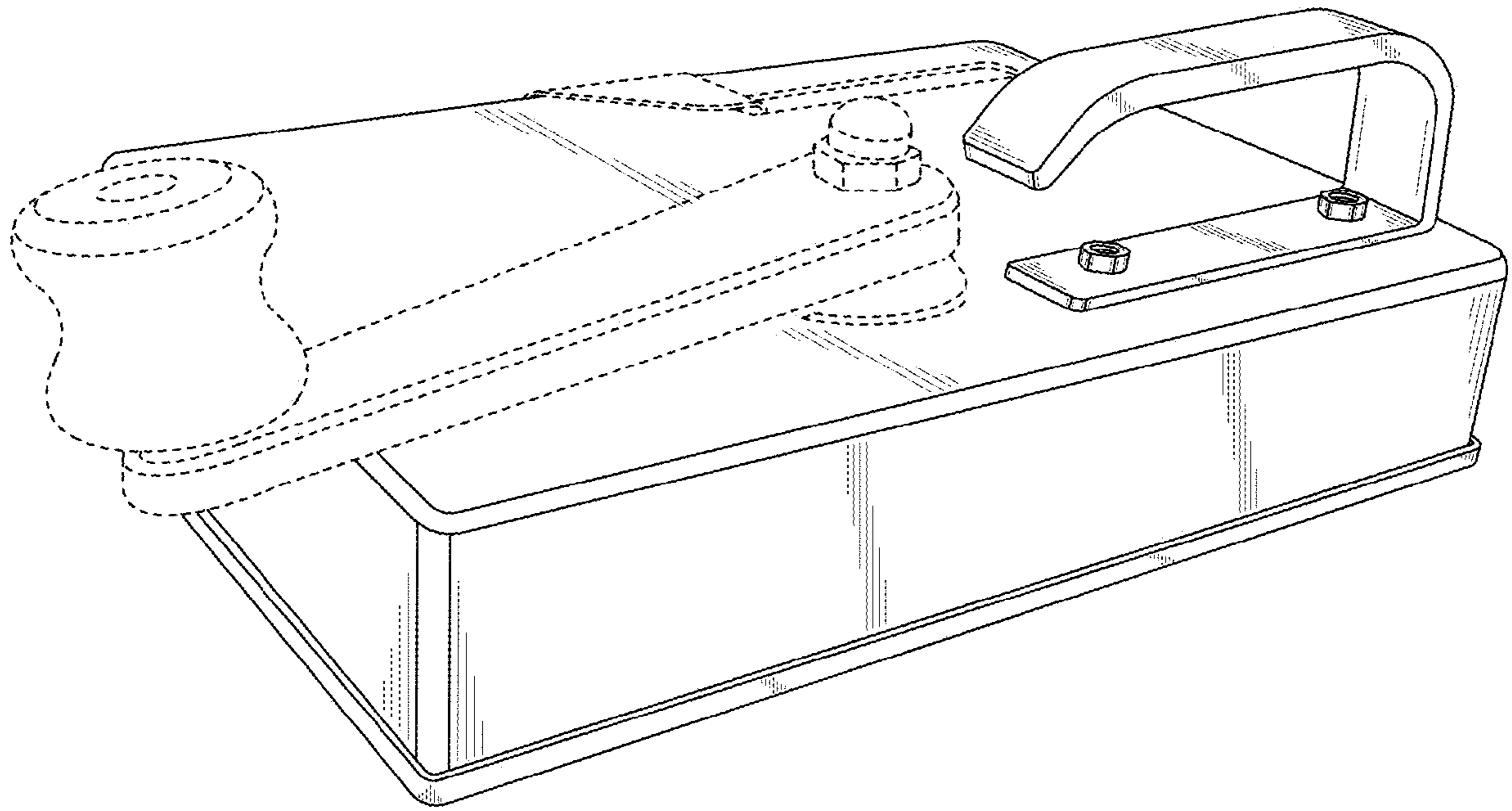


FIG. 2

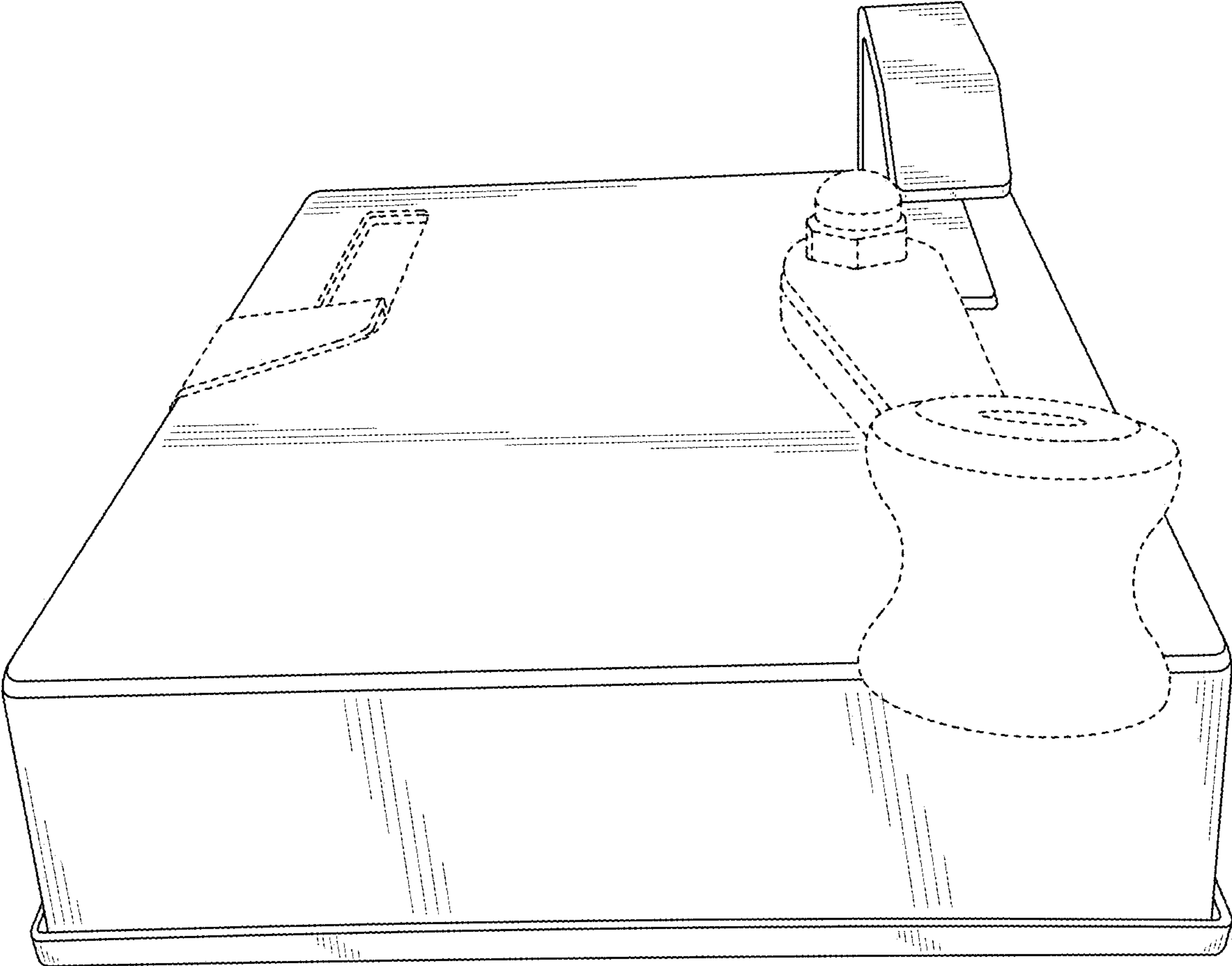


FIG. 3

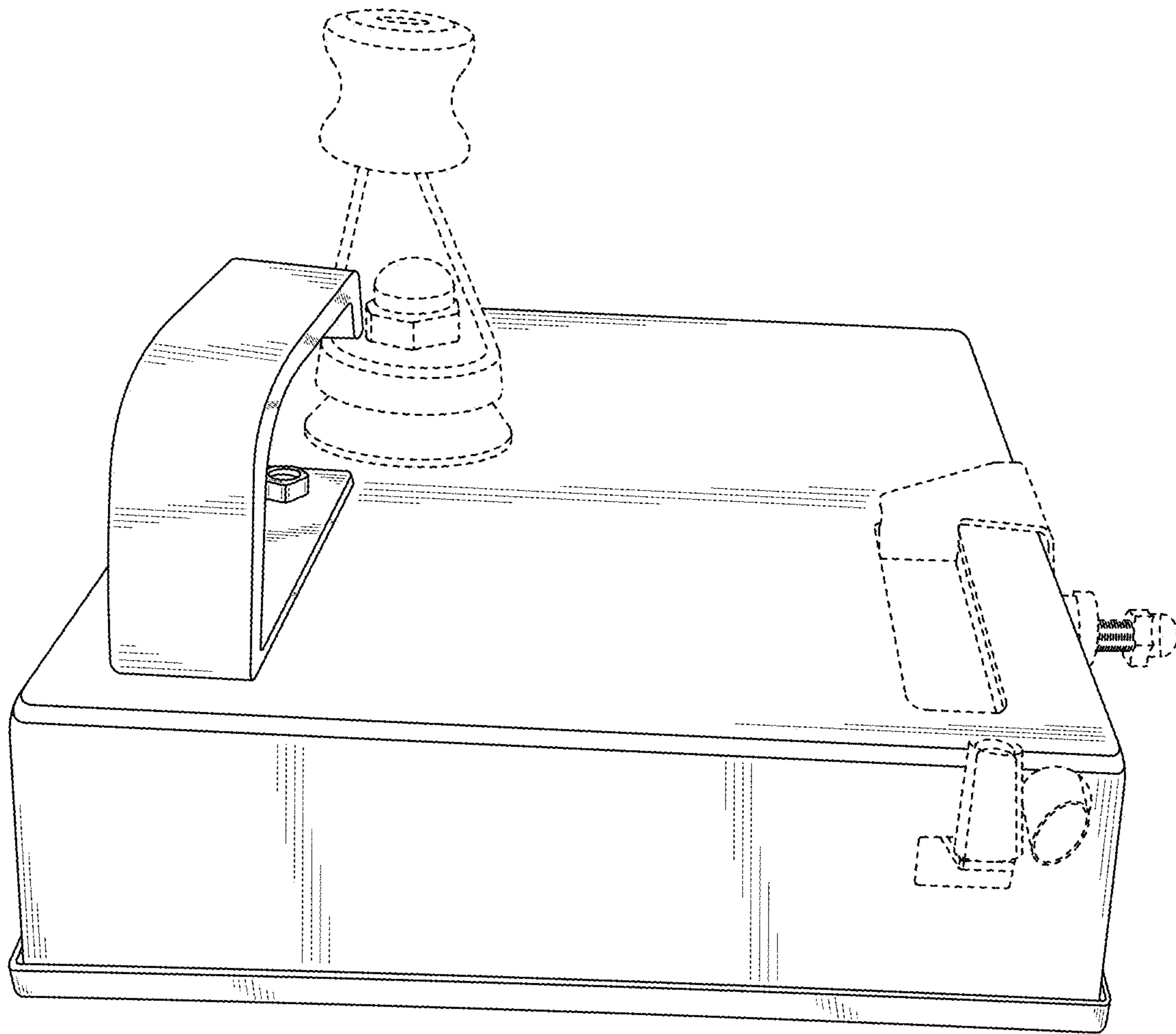


FIG. 4