



US00D940388S

(12) **United States Design Patent**  
**Fornarelli**

(10) **Patent No.:** **US D940,388 S**  
(45) **Date of Patent:** **\*\* Jan. 4, 2022**

- (54) **FOIL TANK**
- (71) Applicant: **AVANZATO TECHNOLOGY CORP.**,  
Chicago, IL (US)
- (72) Inventor: **Thomas Fornarelli**, Chicago, IL (US)
- (73) Assignee: **14TH ROUND INC.**, Los Angeles, CA  
(US)
- (\*\*) Term: **15 Years**
- (21) Appl. No.: **29/658,808**
- (22) Filed: **Aug. 2, 2018**

- 6,098,632 A \* 8/2000 Turner ..... A24F 47/002  
131/270
- D450,862 S \* 11/2001 Alcedo ..... D26/11
- D485,639 S \* 1/2004 Stronski ..... D27/170
- D588,741 S \* 3/2009 Murdaugh, III ..... D27/169
- D590,990 S \* 4/2009 Hon ..... D27/101
- D590,991 S \* 4/2009 Hon ..... D27/101
- D613,624 S \* 4/2010 Bodum ..... D10/46.2
- D630,124 S \* 1/2011 Connell ..... D11/152
- D644,375 S \* 8/2011 Zhou ..... D27/101
- D649,708 S \* 11/2011 Oneil ..... D27/163
- D652,571 S \* 1/2012 Shenassa ..... D27/163
- D661,827 S \* 6/2012 Moetteli ..... D26/11
- D683,897 S \* 6/2013 Liu ..... D27/170
- D688,416 S \* 8/2013 Liu ..... D27/101
- D693,053 S \* 11/2013 Chen ..... D27/101
- D694,468 S \* 11/2013 Chen ..... D27/101
- D695,450 S \* 12/2013 Benassayag ..... D24/110.5
- D707,389 S \* 6/2014 Liu ..... D27/194
- D713,100 S \* 9/2014 Salgueiro ..... D30/105
- D724,780 S \* 3/2015 Wu ..... D27/101
- D724,782 S \* 3/2015 Wu ..... D27/101

**Related U.S. Application Data**

- (62) Division of application No. 29/540,545, filed on Sep. 25, 2015, now Pat. No. Des. 828,623.

(51) **LOC (13) Cl.** ..... **27-99**

(52) **U.S. Cl.**  
USPC ..... **D27/194**

(58) **Field of Classification Search**  
USPC ..... D27/100, 101, 102, 162, 163, 164, 165,  
D27/166, 167, 168, 169, 170, 171, 172,  
D27/175, 180, 183, 184, 186, 187, 188,  
D27/189, 193, 194; D9/428, 454, 439  
CPC ..... A24F 47/002; A24F 7/00; A24F 47/008;  
A24F 47/006

See application file for complete search history.

(56) **References Cited**

**U.S. PATENT DOCUMENTS**

- D269,638 S \* 7/1983 Frye, Jr. .... D26/9
- D285,614 S \* 9/1986 Vanbragt ..... D26/11
- D290,514 S \* 6/1987 Boss ..... D26/11
- 5,687,745 A \* 11/1997 Yalcin ..... A24F 13/06  
131/173
- D397,939 S \* 9/1998 Hering ..... D9/454
- D413,172 S \* 8/1999 Belschner ..... D26/11

(Continued)

*Primary Examiner* — Marissa J Cash

(74) *Attorney, Agent, or Firm* — Flener IP & Business  
Law; Zareefa B. Flener

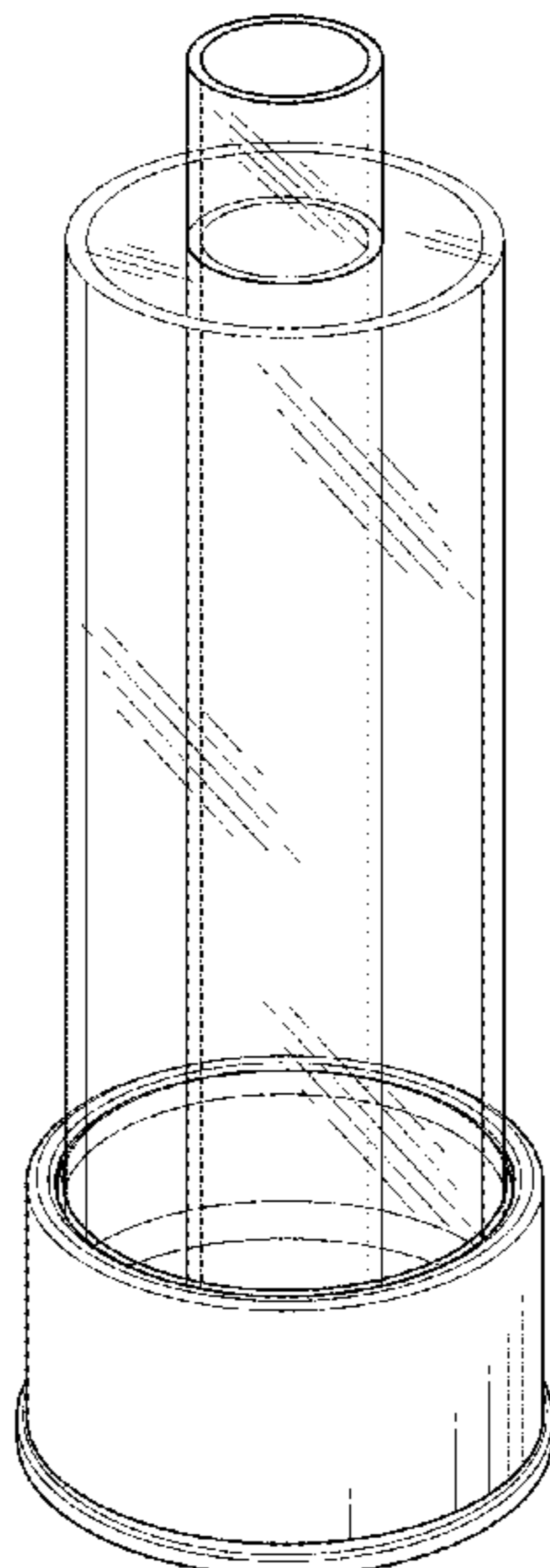
(57) **CLAIM**

The ornamental design for a foil tank, as shown and described.

**DESCRIPTION**

FIG. 1 is a top perspective view of a foil tank showing my new design;  
 FIG. 2 is a front elevational view thereof, the opposite right and left side not shown is a mirror image thereof;  
 FIG. 3 is a top plan view thereof;  
 FIG. 4 is a bottom plan view thereof;  
 FIG. 5 is an exploded top perspective view thereof; and,  
 FIG. 6 is an exploded bottom perspective view thereof.

**1 Claim, 3 Drawing Sheets**



(56)

References Cited

U.S. PATENT DOCUMENTS

D728,155 S *	4/2015	Liu	D27/101	2008/0254398 A1 *	10/2008	Chadha	F23D 3/16 431/291
D728,156 S *	4/2015	Wu	D27/101	2009/0049743 A1 *	2/2009	Lewis, Jr.	A47G 7/06 47/41.01
D729,441 S *	5/2015	Hua	D27/101	2011/0010988 A1 *	1/2011	Lanoha	A47G 7/06 47/41.1
D730,571 S *	5/2015	Chen	D27/101	2013/0140200 A1 *	6/2013	Scatterday	A24F 15/00 206/265
D739,601 S *	9/2015	Bahbah	D27/170	2013/0180533 A1 *	7/2013	Kim	A24F 47/008 131/273
D739,979 S *	9/2015	Smith	D27/163	2014/0376895 A1 *	12/2014	Han	A24F 47/008 392/395
D742,563 S *	11/2015	Kasha	A47G 7/06 D26/22	2015/0078735 A1 *	3/2015	Cormack	A61M 15/06 392/395
D744,696 S *	12/2015	Malhi	D27/169	2015/0164141 A1 *	6/2015	Newton	H01M 2/1055 131/329
D745,213 S *	12/2015	Alima	D27/143	2015/0181944 A1 *	7/2015	Li	A24F 47/008 131/329
D747,548 S *	1/2016	Mayor	D27/167	2015/0245657 A1 *	9/2015	Memari	A24F 15/12 141/18
D747,549 S *	1/2016	Stowers	D27/167	2015/0257446 A1 *	9/2015	Chung	A24F 47/008 131/329
D749,261 S *	2/2016	Chen	D27/162	2015/0257447 A1 *	9/2015	Sullivan	A24F 47/008 131/329
D751,249 S *	3/2016	Chen	D27/101	2015/0258288 A1 *	9/2015	Sullivan	A61M 15/0086 128/203.12
D752,280 S *	3/2016	Verleur	D27/167	2015/0272219 A1 *	10/2015	Hatrick	A24F 47/008 131/328
D756,779 S *	5/2016	Kang	D9/454	2015/0282529 A1 *	10/2015	Li	A24F 47/008 131/273
9,352,288 B2 *	5/2016	Terry	A24F 47/008	2015/0282530 A1 *	10/2015	Johnson	A24F 47/008 392/387
D758,649 S *	6/2016	Liu	D27/101	2016/0000145 A1 *	1/2016	Liu	A61M 15/06 131/329
D758,650 S *	6/2016	Wu	D27/101	2016/0007654 A1 *	1/2016	Zhu	A24F 47/008 131/328
D763,501 S *	8/2016	McGarry	D27/101	2016/0015082 A1 *	1/2016	Liu	A24F 47/008 131/329
D764,701 S *	8/2016	Malhi	D27/101	2016/0073694 A1 *	3/2016	Liu	H05B 3/40 131/329
D765,309 S *	8/2016	Liu	D27/101	2016/0113327 A1 *	4/2016	Wu	H05B 3/06 131/329
D771,307 S *	11/2016	Wu	D27/101	2016/0120226 A1 *	5/2016	Rado	A24F 47/008 131/329
D772,478 S *	11/2016	Liu	D27/167	2016/0121058 A1 *	5/2016	Chen	A61M 11/04 128/200.19
D772,479 S *	11/2016	Stowers	D27/167	2016/0144458 A1 *	5/2016	Boldrini	B23K 31/02 228/176
D775,762 S *	1/2017	Chen	D27/101	2016/0280450 A1 *	9/2016	Hearn	A61M 15/0091
D776,868 S *	1/2017	Rado	D27/162				
D780,372 S *	2/2017	Liu	D27/101				
D780,991 S *	3/2017	Liu	D27/101				
D783,117 S *	4/2017	Gilbarte	D22/117				
D784,609 S *	4/2017	Liu	D27/101				
D787,114 S *	5/2017	Scott	D27/194				
D790,122 S *	6/2017	Hawes	D27/101				
D792,645 S *	7/2017	Fornarelli	D27/167				
D823,535 S *	7/2018	Xu	D27/163				
D828,623 S *	9/2018	Fornarelli	D27/194				
D848,673 S *	5/2019	Xu	D27/183				
D849,317 S *	5/2019	Qiu	D27/162				
D867,657 S *	11/2019	Fornarelli	D27/194				
D877,975 S *	3/2020	Crowe	D27/162				
D898,993 S *	10/2020	Li	D27/167				
D906,587 S *	12/2020	Fornarelli	D27/162				
2004/0154630 A1 *	8/2004	Tabuchi	A24B 15/282 131/365				
2004/0200493 A1 *	10/2004	Matsufuji	A24C 5/1821 131/364				
2006/0254604 A1 *	11/2006	Martinez Fernandez	A24F 47/002 131/273				

\* cited by examiner

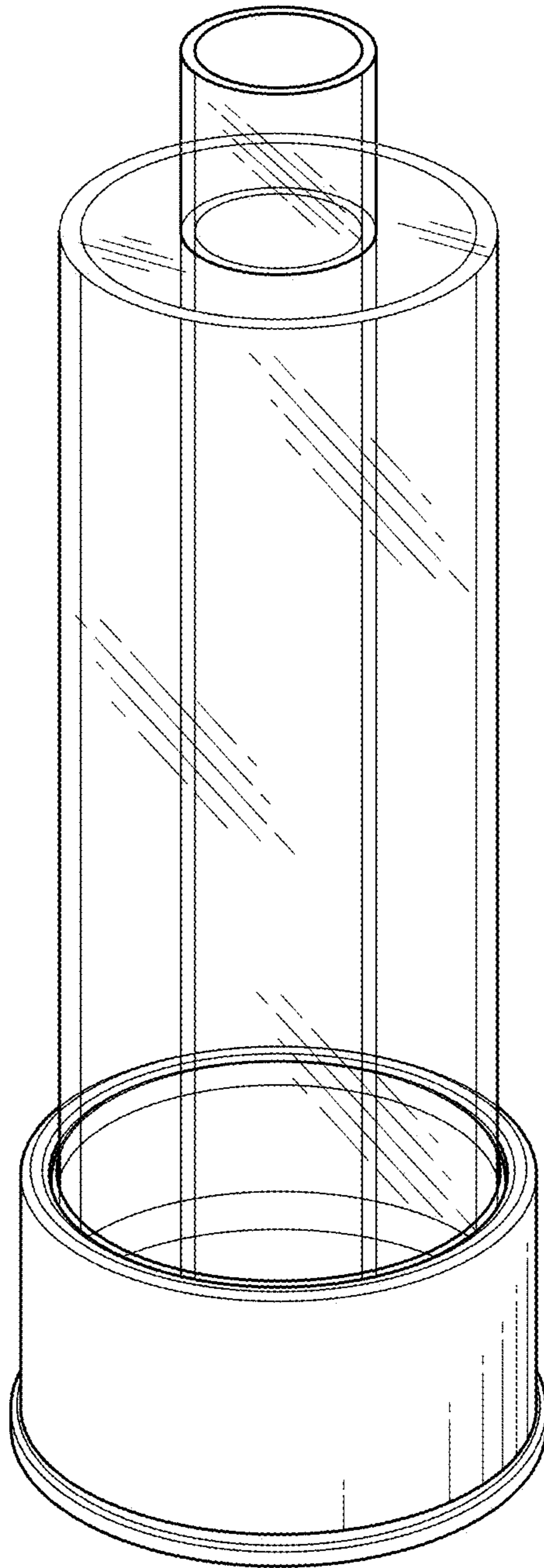


FIG. 1

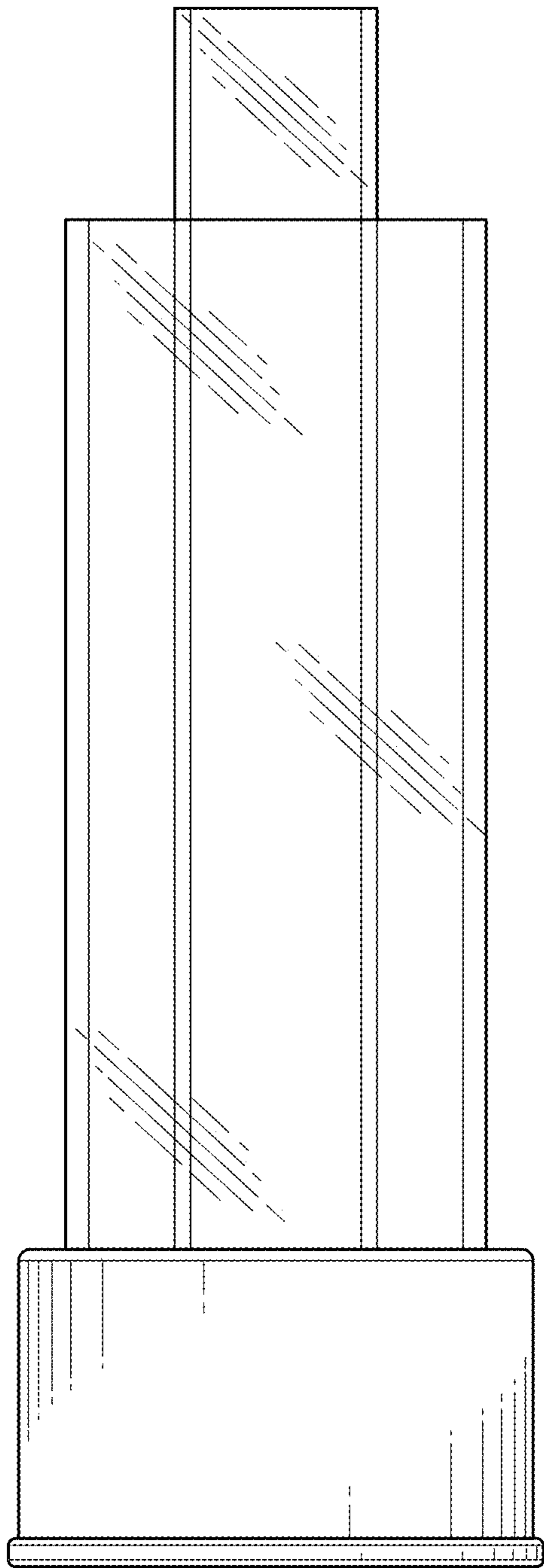


FIG. 2

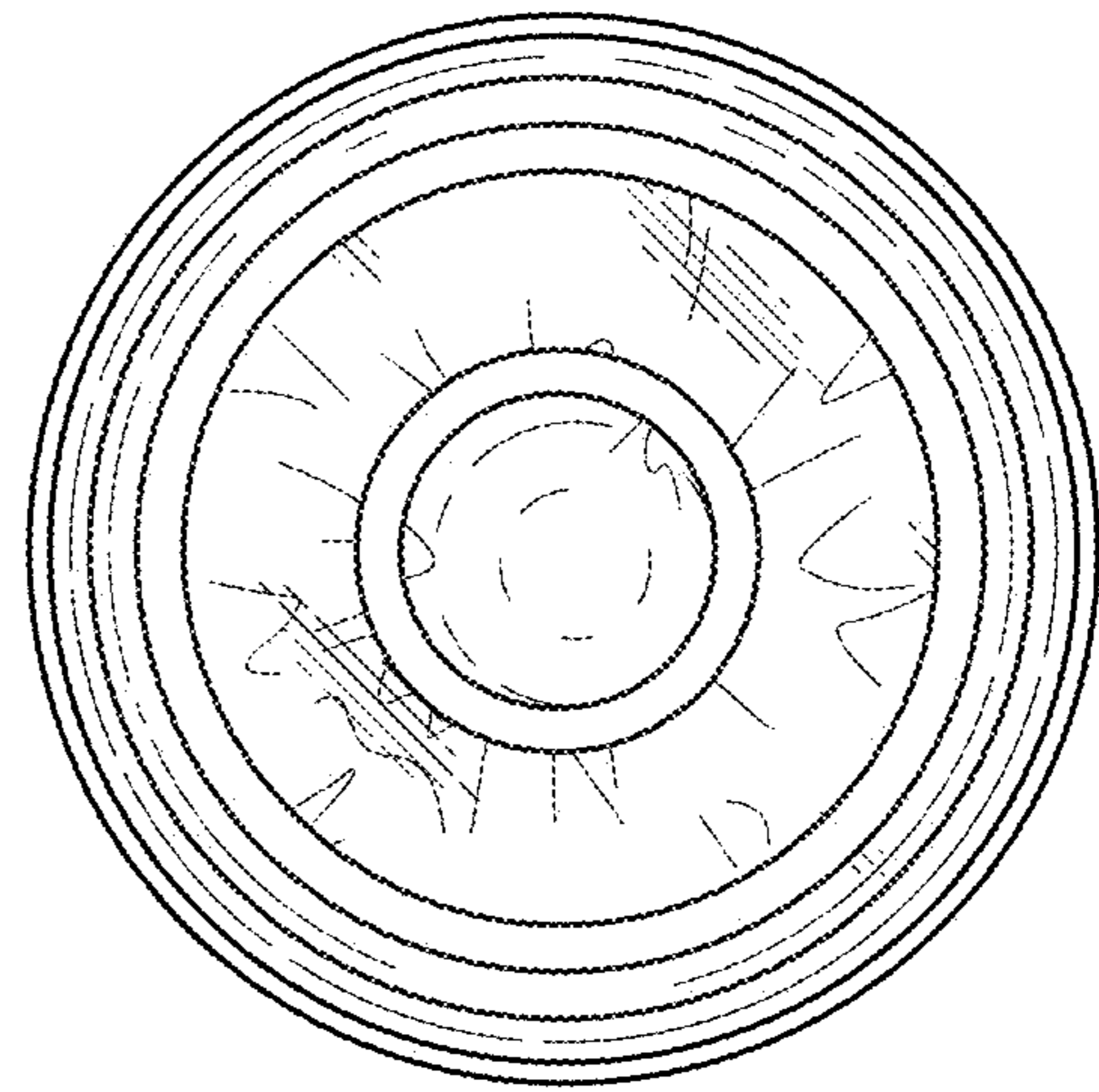


FIG. 3

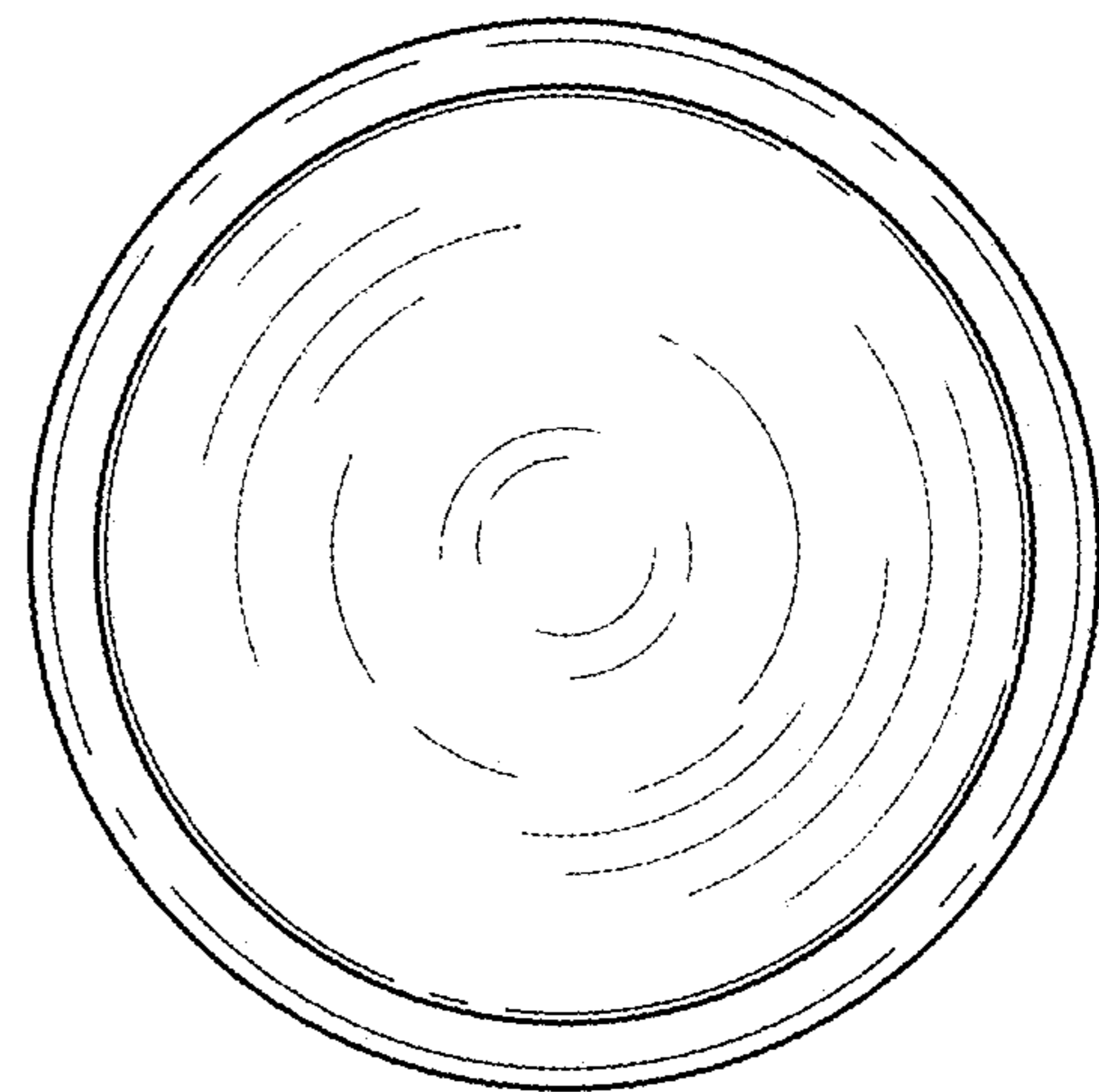


FIG. 4

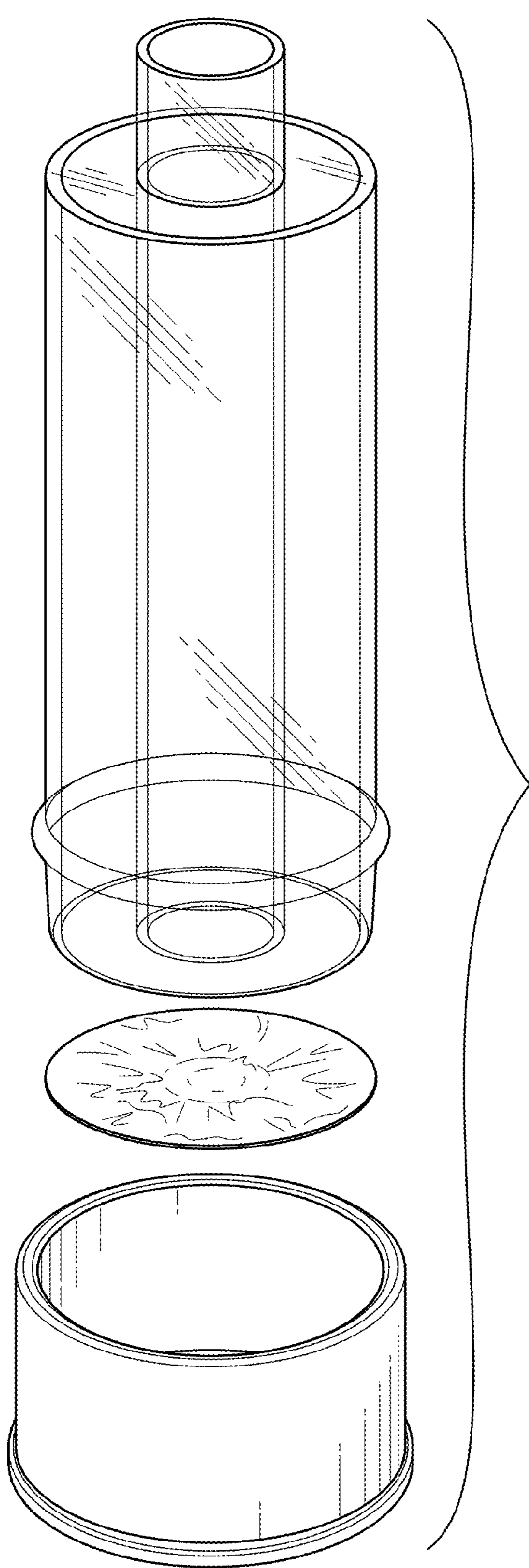


FIG. 5

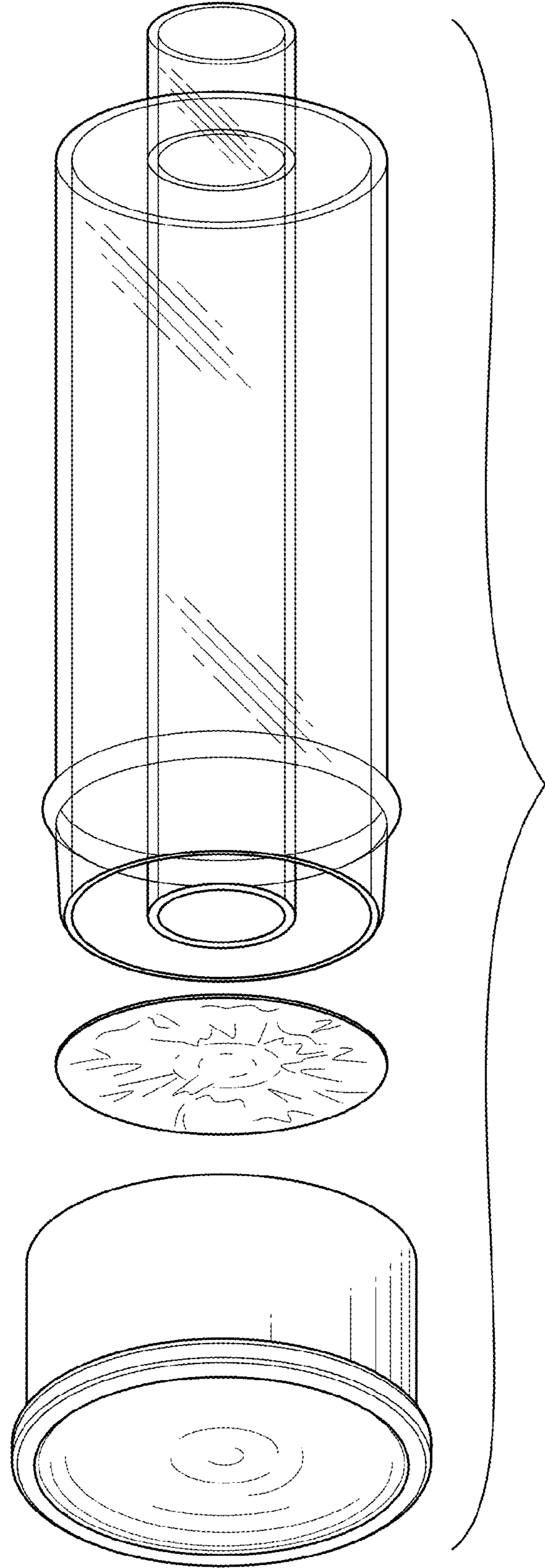


FIG. 6