



(12) **United States Design Patent**
Campitelli

(10) **Patent No.:** **US D940,386 S**
(45) **Date of Patent:** **** Jan. 4, 2022**

(54) **AEROSOL GENERATING DEVICE**

(71) Applicant: **Philip Morris Products S.A.**,
Neuchâtel (CH)
(72) Inventor: **Gennaro Campitelli**, Neuchatel (CH)
(73) Assignee: **Philip Morris Products S.A.**,
Neuchatel (CH)
(**) Term: **15 Years**

(21) Appl. No.: **29/733,915**
(22) Filed: **May 7, 2020**

(30) **Foreign Application Priority Data**

Nov. 11, 2019 (EM) 007213236

(51) **LOC (13) Cl.** **27-02**

(52) **U.S. Cl.**
USPC **D27/162**

(58) **Field of Classification Search**
USPC D27/100, 101, 162, 163, 164, 165, 166,
D27/167, 168, 169, 170, 171, 172, 173,
D27/174, 175, 176, 177, 178, 179, 180,
D27/181, 182, 183, 184, 185, 186, 187,
D27/188, 189, 190, 191, 192, 193, 194,
D27/196; D28/91.1; D23/360, 362;
D24/110, 110.4, 110.5, 110.6, 113
CPC A24F 40/10; A24F 40/40; A24F 40/46;
A24F 47/008; A24F 40/60; A24F 40/70;
A24F 40/51; A24F 40/20; A24F 40/05;
A24F 40/90; A24F 40/30; A24F 40/95;
A24F 40/00; A24F 7/00; A24F 13/00;
A24F 13/14; A24F 1/32; A24F 40/49;
(Continued)

(56) **References Cited**

U.S. PATENT DOCUMENTS

D646,431 S * 10/2011 Awty D27/194
D652,987 S * 1/2012 Kaljura D27/101
(Continued)

OTHER PUBLICATIONS

One of the World's Largest . . . By Edith Hancock and Erin Brodwin. Dated Nov. 30, 2016. Found online [Apr. 15, 2021], <https://www.businessinsider.com/philip-morris-e-cigarette-2016-11> (Year: 2016).*

Primary Examiner — Marissa J Cash
Assistant Examiner — William B Melliar
(74) *Attorney, Agent, or Firm* — Oblon, McClelland,
Maier & Neustadt, L.L.P.

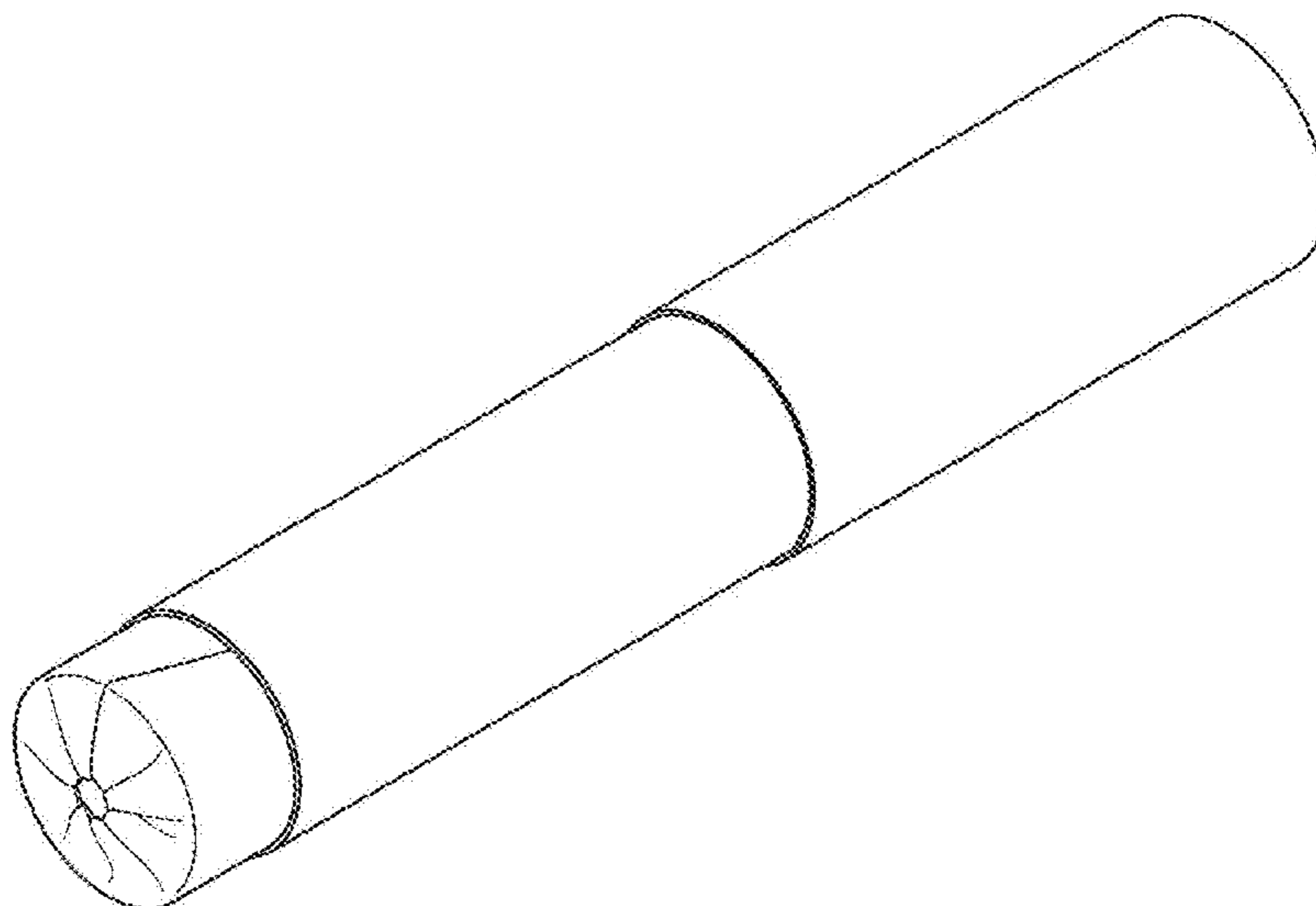
(57) **CLAIM**

The ornamental design for an aerosol generating device, as shown and described.

DESCRIPTION

FIG. 1 is a bottom perspective view of a first embodiment of an aerosol generating device showing the new design; FIG. 2 is a front elevational view thereof; FIG. 3 is a rear elevational view thereof; FIG. 4 is a top plan view thereof; FIG. 5 is a bottom plan view thereof; FIG. 6 is a left side elevational view thereof; FIG. 7 is another bottom perspective view thereof in a condition after use; FIG. 8 is a right side elevational view thereof; FIG. 9 is a bottom perspective view of a second embodiment of an aerosol generating device showing the new design; FIG. 10 is a front elevational view thereof; FIG. 11 is a rear elevational view thereof; FIG. 12 is a top plan view thereof; FIG. 13 is a bottom plan view thereof; FIG. 14 is a left side elevational view thereof; FIG. 15 is another bottom perspective view thereof in a condition after use; and, FIG. 16 is a right side elevational view thereof. In the drawings, the broken lines depict portions of the aerosol generating device that form no part of the claimed design.

1 Claim, 16 Drawing Sheets



(58) **Field of Classification Search**

CPC A24F 42/60; A24F 42/80; A24F 47/002;
A24F 7/02; A24F 9/16; A24F 40/42;
A24F 40/57; A24F 15/015; A24F 40/465;
A24F 1/02; A24F 2700/03; A24F 15/01;
A24F 1/28; A24F 40/85; A24F 42/00;
A24F 42/10; A24F 42/20; A24F 47/004;
A24F 47/006; A24F 7/04; A24F 40/485;
A24F 40/44; A24F 40/48; A24F 40/50;
A24F 1/00; A24F 47/00; A24F 40/53;
A24F 40/65

See application file for complete search history.

(56)

References Cited

U.S. PATENT DOCUMENTS

D653,390 S * 1/2012 Kaljura D27/101
D653,802 S * 2/2012 Kaljura D27/101

8,495,998 B2 * 7/2013 Schennum A61M 15/0091
128/200.23
D695,449 S * 12/2013 Tucker D27/101
D728,154 S * 4/2015 Lavanchy D27/101
D739,598 S * 9/2015 Lavanchy D27/100
D813,155 S * 3/2018 Yamada D13/103
D871,665 S * 12/2019 Choe D27/162
D889,034 S * 6/2020 Stewart D27/162
D898,988 S * 10/2020 Levinson D27/101
D907,289 S * 1/2021 Stewart D27/162
D909,669 S * 2/2021 Zhu D27/162
D914,272 S * 3/2021 Bramley D27/101
D914,280 S * 3/2021 Jones D27/162
D919,171 S * 5/2021 Chen D27/162
2016/0073692 A1 * 3/2016 Alarcon A24F 40/40
131/329
2016/0332754 A1 * 11/2016 Brown B65B 3/10
2017/0119057 A1 * 5/2017 Liu H05B 1/0227

* cited by examiner

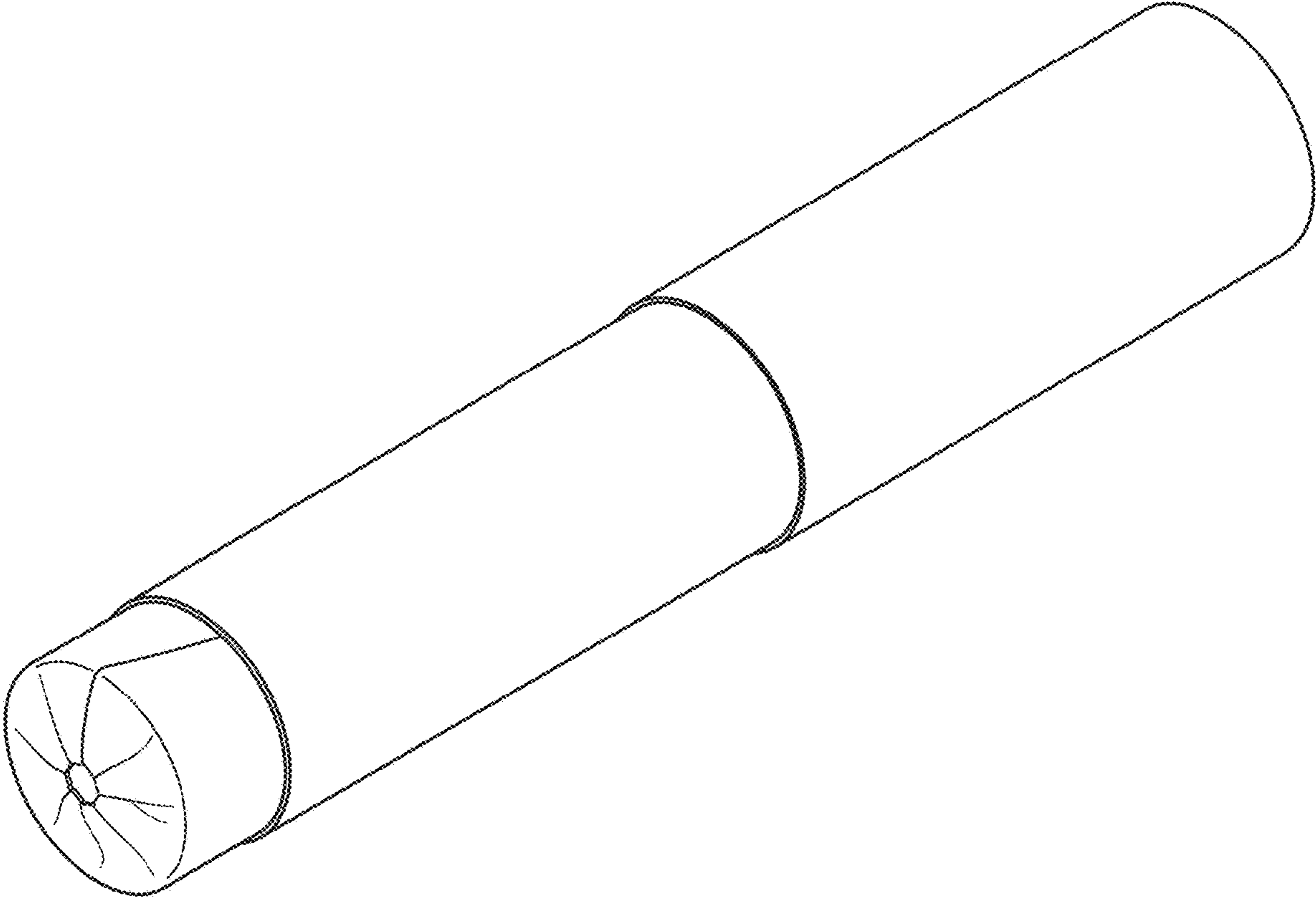


FIG. 1

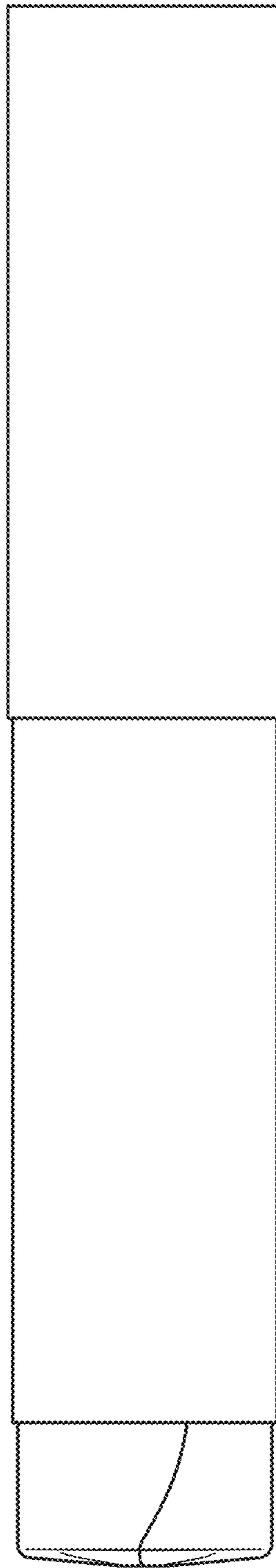


FIG. 2

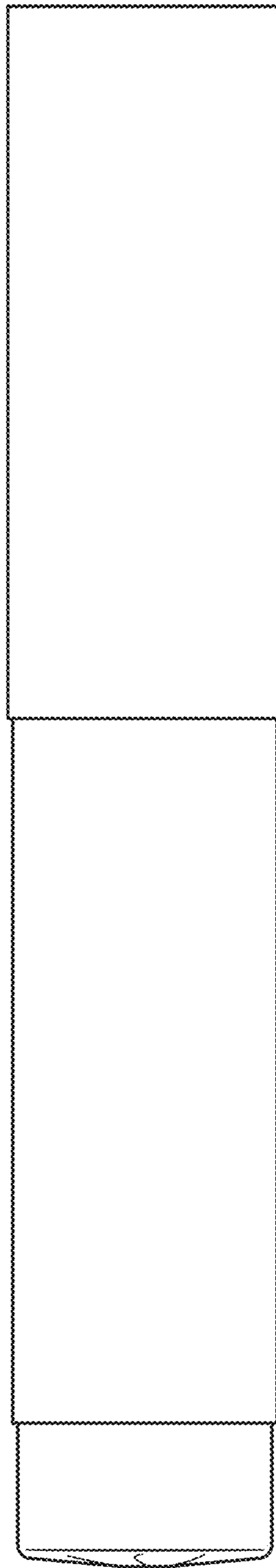


FIG. 3

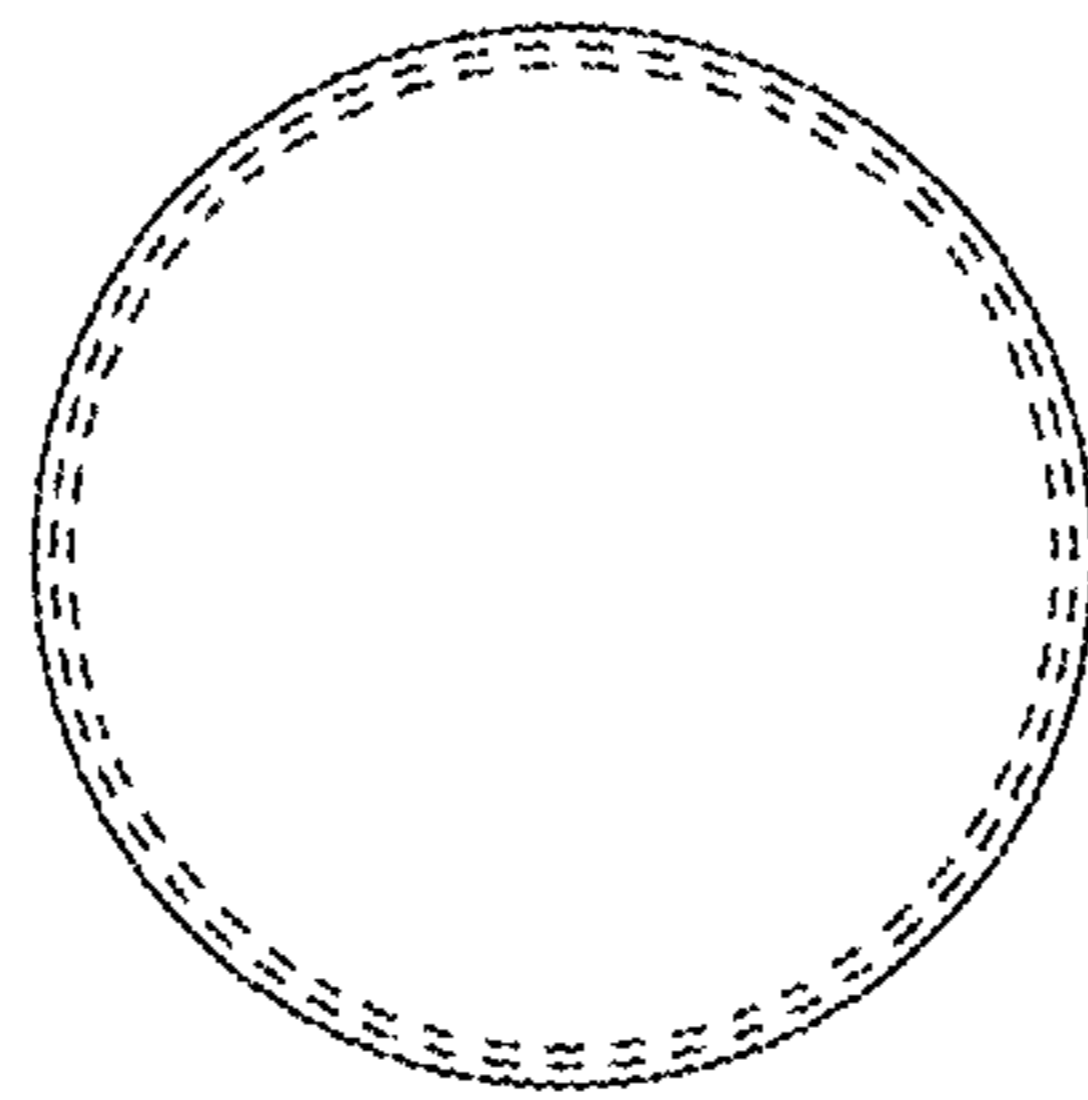


FIG. 4

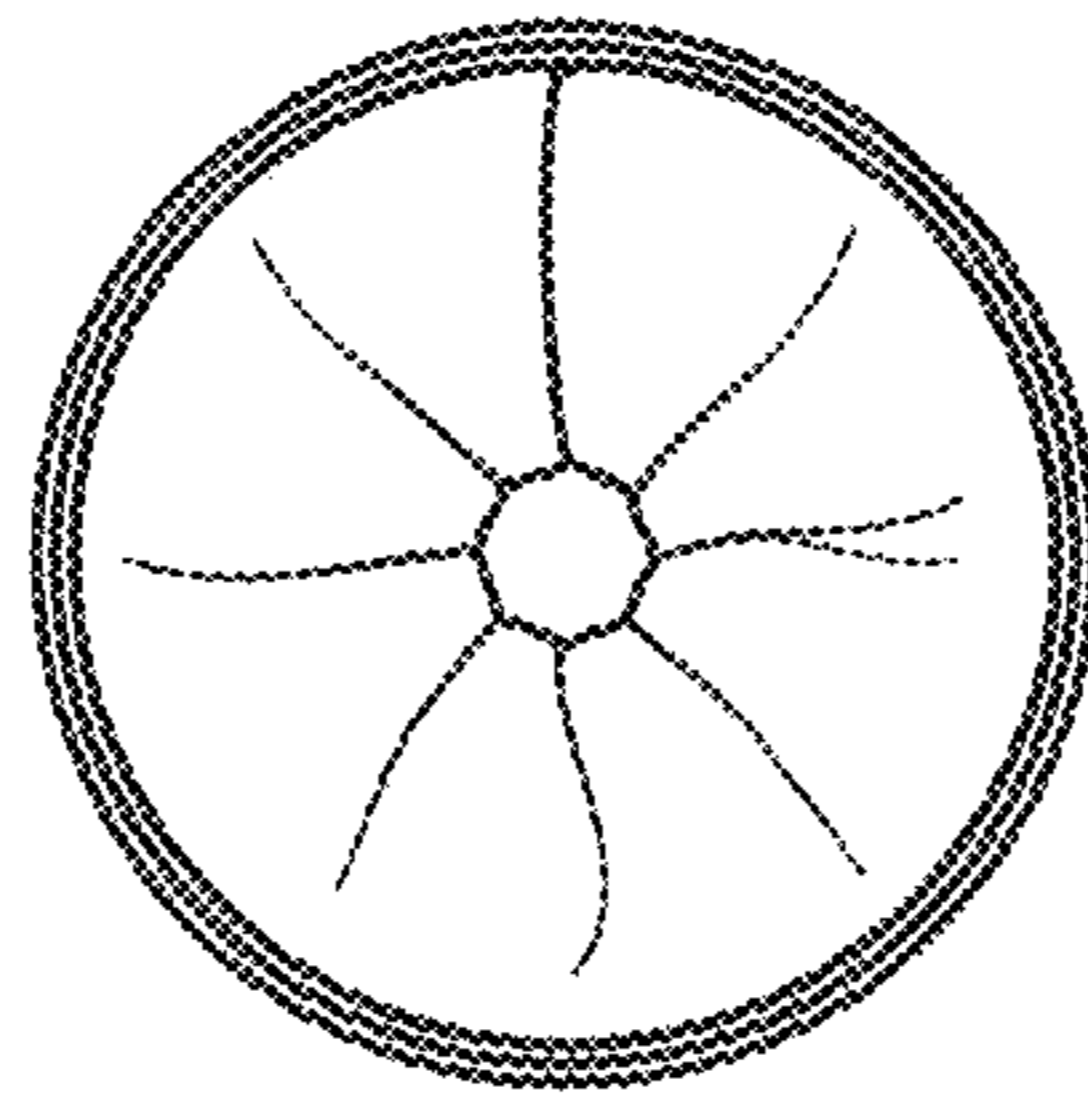


FIG. 5

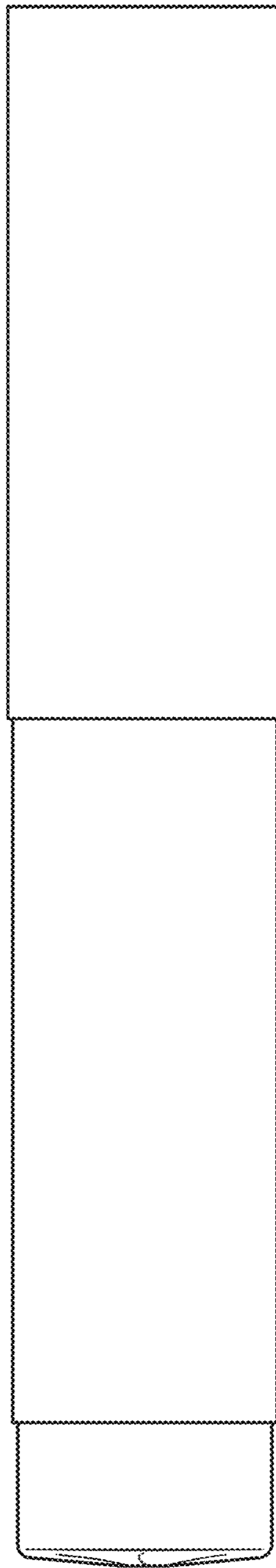


FIG. 6

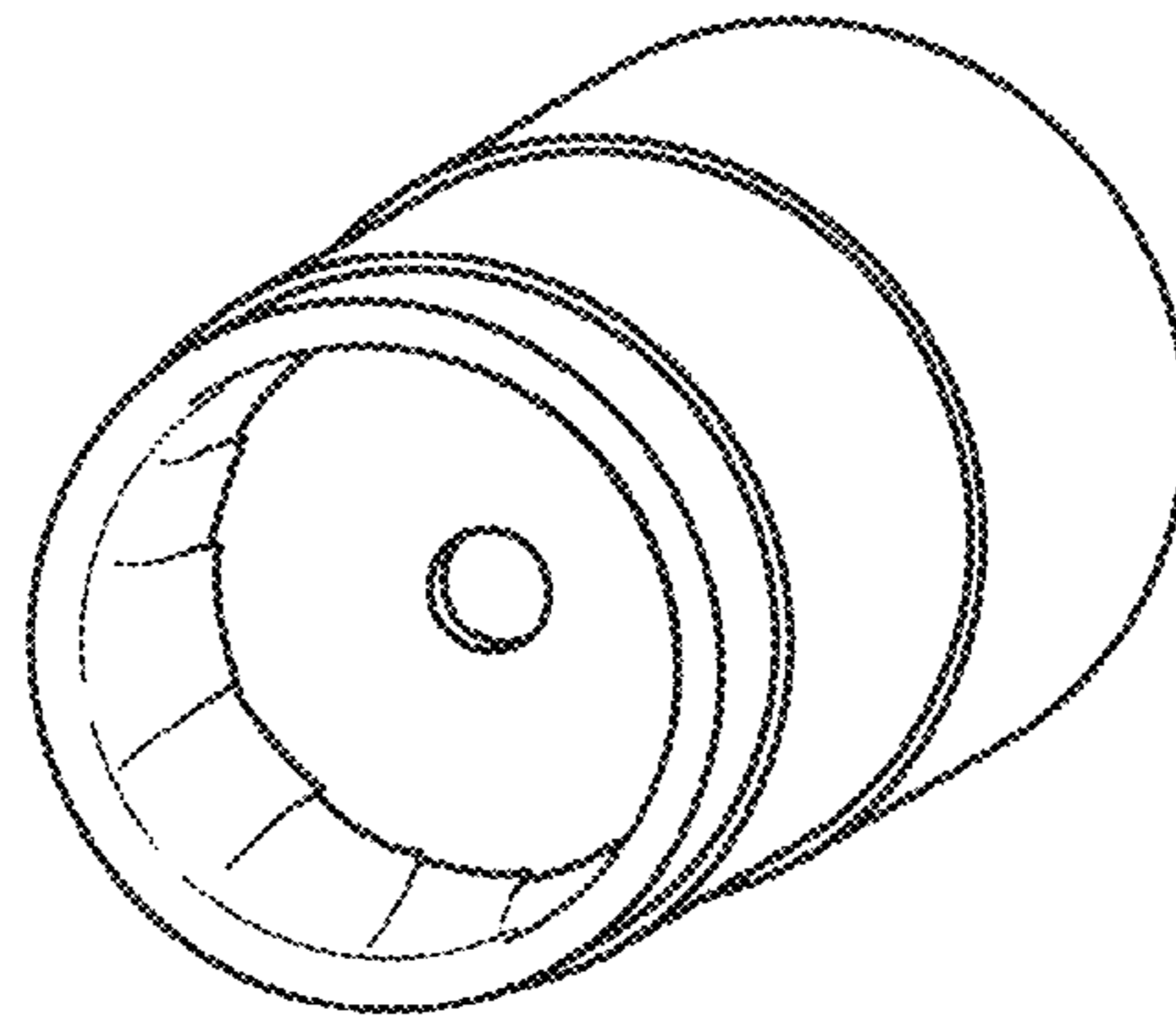


FIG. 7

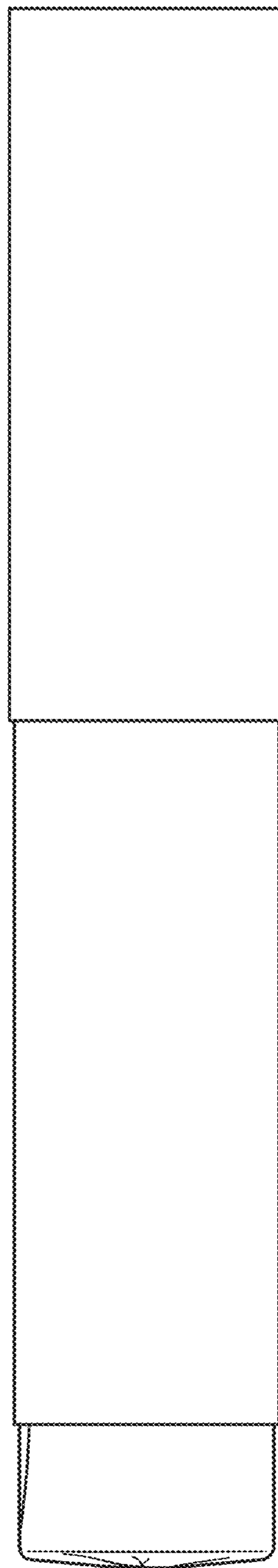


FIG. 8

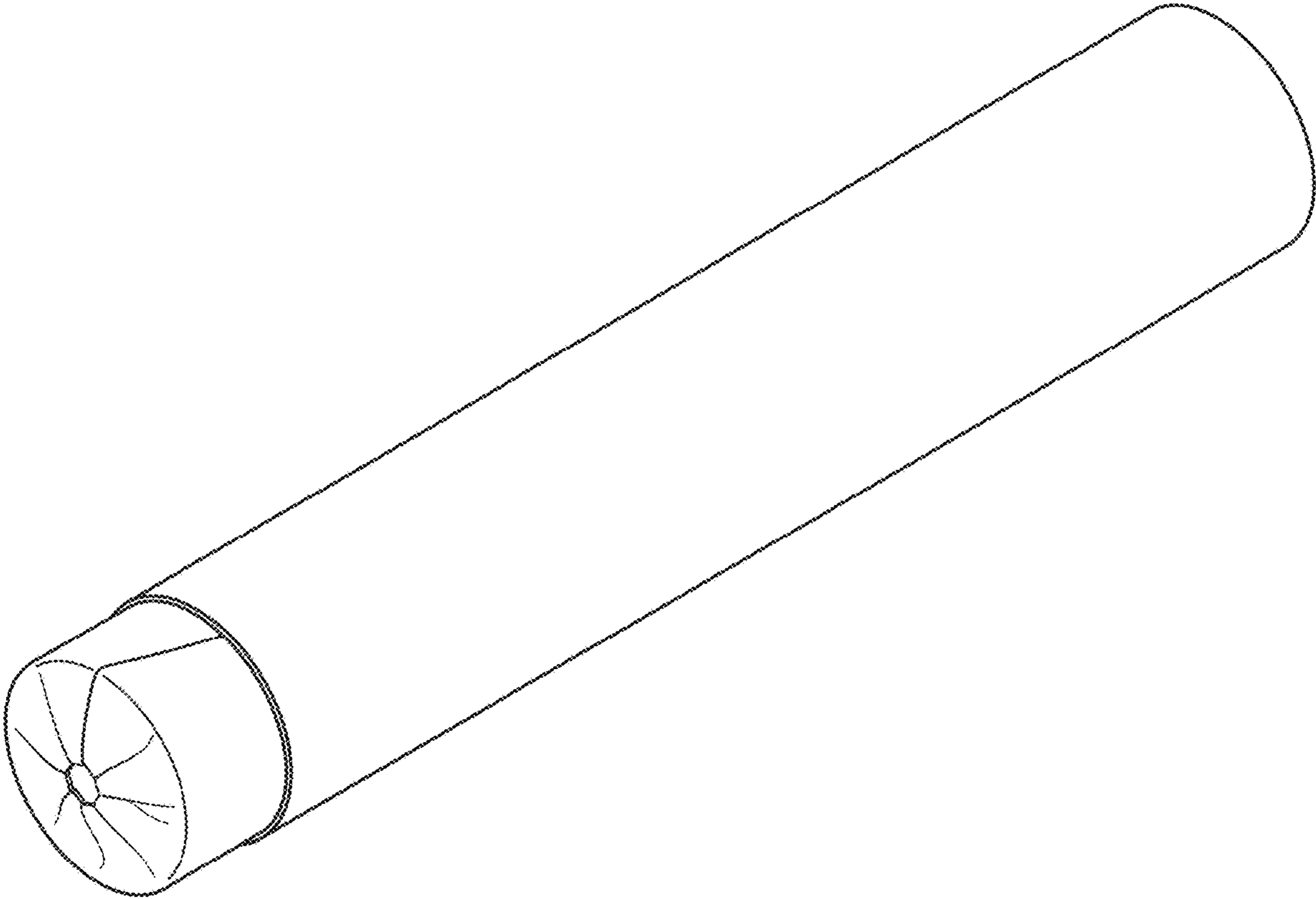


FIG. 9



FIG. 10

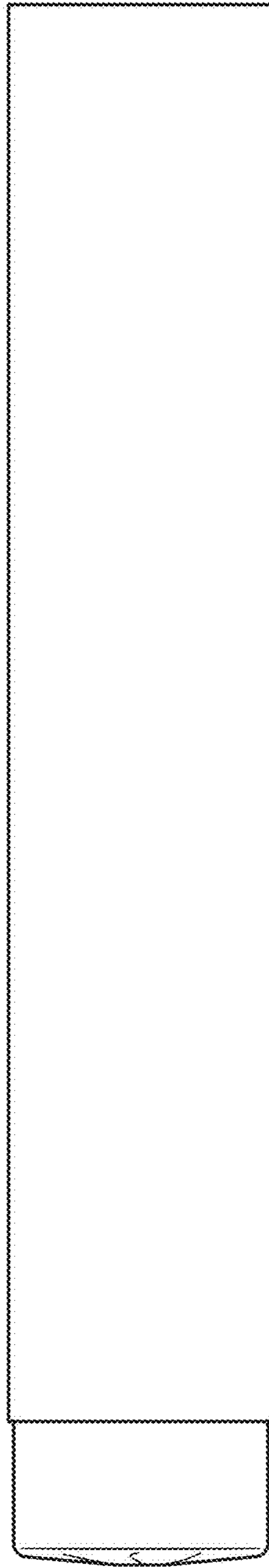


FIG. 11

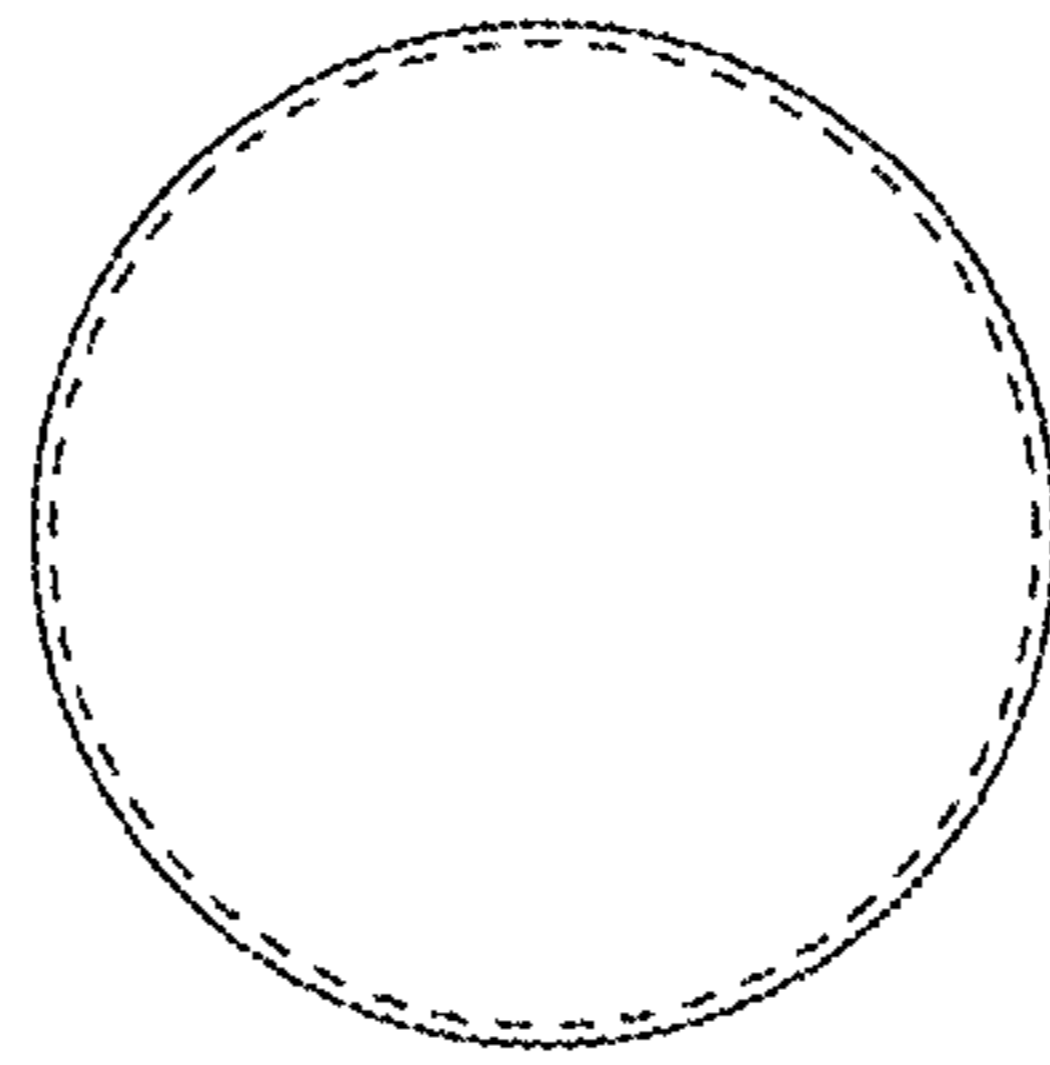


FIG. 12

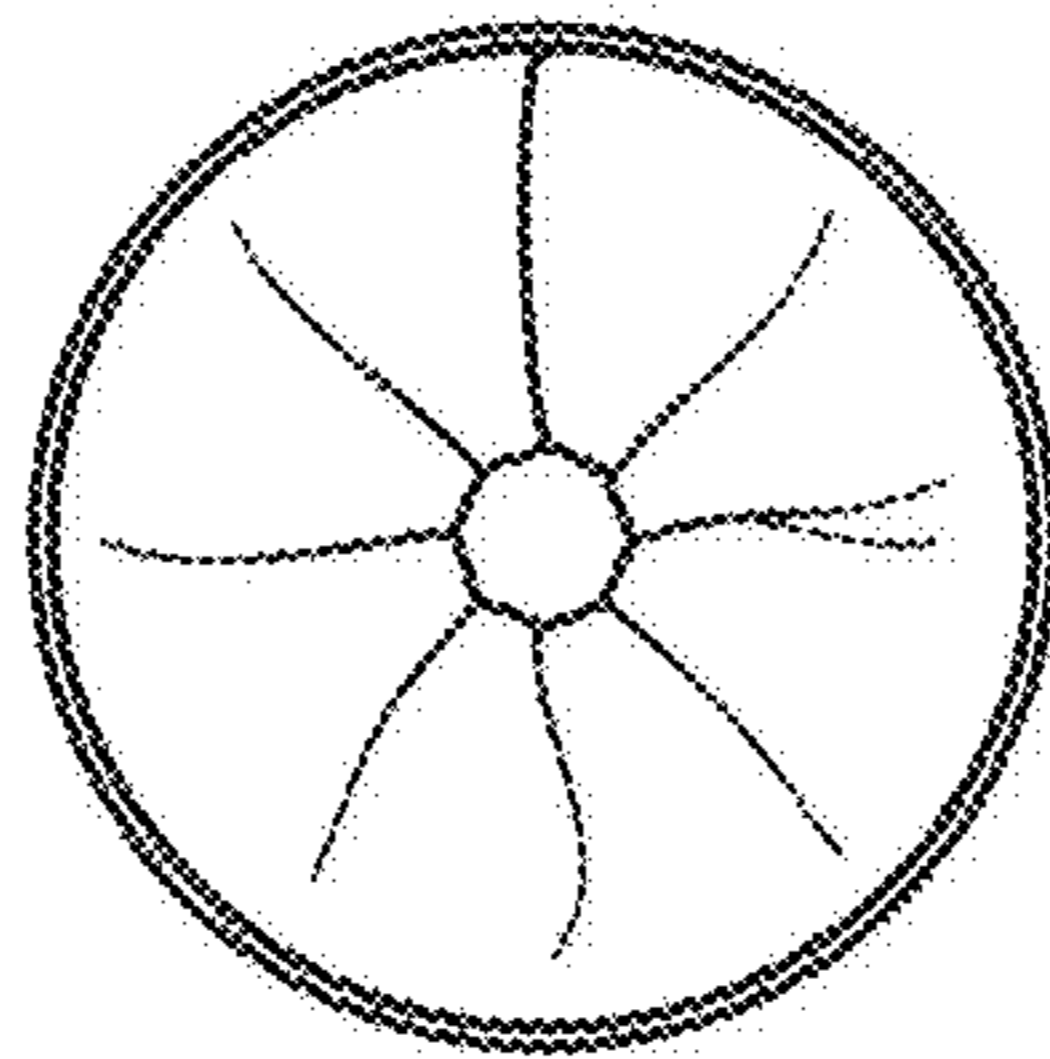


FIG. 13



FIG. 14

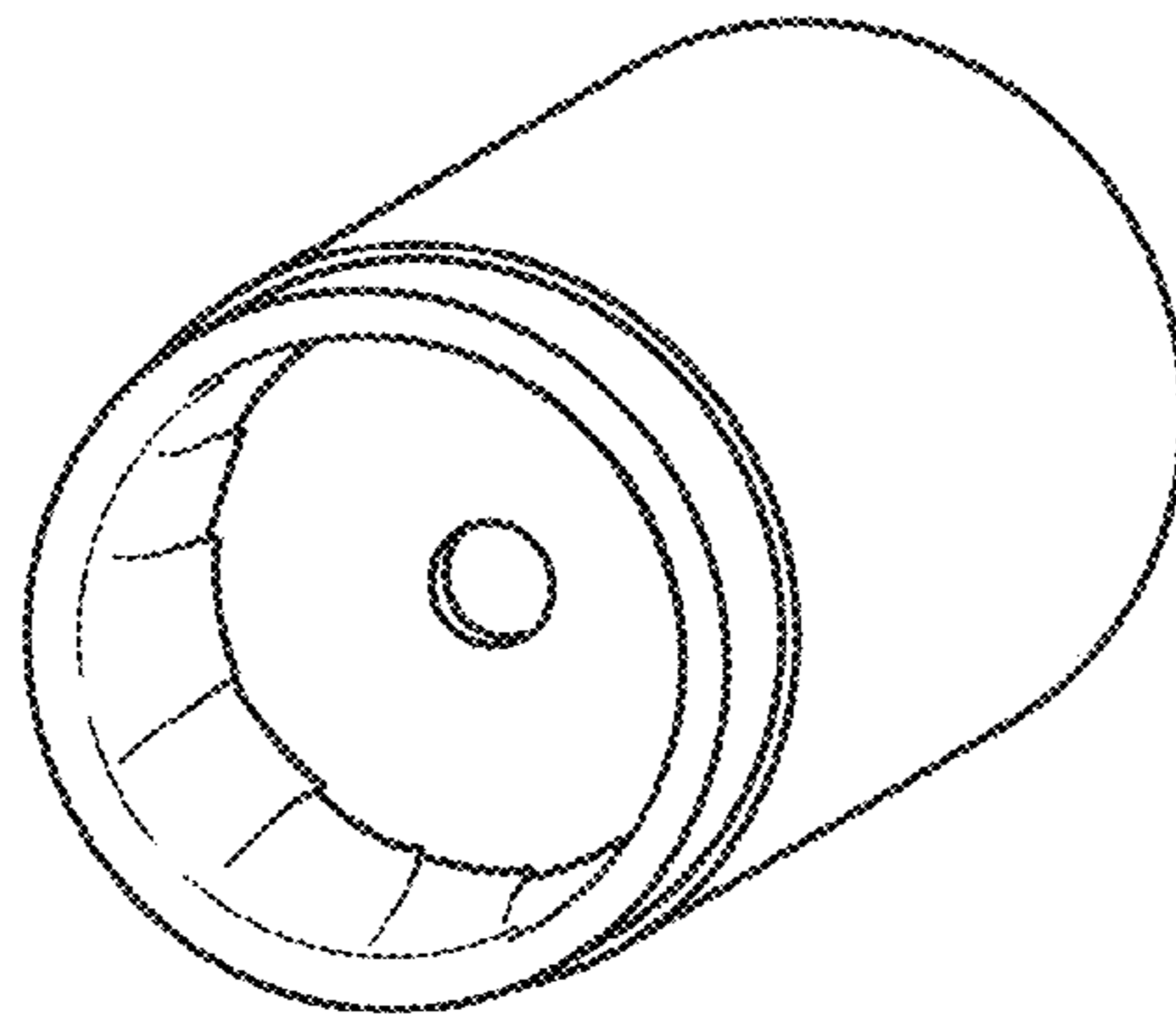


FIG. 15



FIG. 16