



US00D940385S

(12) **United States Design Patent** (10) **Patent No.:** **US D940,385 S**
Dodson et al. (45) **Date of Patent:** **** Jan. 4, 2022**

(54) **SMOKING DEVICE**

(71) Applicant: **GRAVITRON, LLC**, Austin, TX (US)

(72) Inventors: **Travis Dodson**, Austin, TX (US);
Micah Evans, Austin, TX (US)

(73) Assignee: **Gravitron, LLC**, Austin, TX (US)

(**) Term: **15 Years**

(21) Appl. No.: **29/720,940**

(22) Filed: **Jan. 16, 2020**

(51) **LOC (13) Cl.** **27-02**

(52) **U.S. Cl.**

USPC **D27/162**

(58) **Field of Classification Search**

USPC D27/100, 101, 162-193; D28/91.1;
D23/360, 362; D24/110, 110.4, 110.5,
D24/110.6, 113

CPC A24F 40/10; A24F 40/40; A24F 40/46;
A24F 40/42; A24F 40/44; A24F 40/485;
A24F 40/50; A24F 40/60; A24F 40/90;
A24F 40/53; A24F 40/70; A24F 40/48;
A24F 40/51; A24F 40/57; A24F 40/05;
A24F 40/65; A24F 40/20; A24F 47/002;
A24F 40/30; A24F 7/00; A24F 47/00;
A24F 1/32; A24F 40/00; A24F 40/49;
A24F 40/85; A24F 40/95; A24F 7/04;
A24F 9/16;

(Continued)

(56) **References Cited**

U.S. PATENT DOCUMENTS

D342,993 S * 1/1994 Fathi D24/110
D448,475 S * 9/2001 Jansen D24/110
D597,656 S * 8/2009 Bird D24/110
D652,571 S * 1/2012 Shenassa D27/163

(Continued)

OTHER PUBLICATIONS

Grav Labs 16mm Taster With Silicone Skin. By TechKara. Dated Nov. 1, 2019. Found online [Feb. 24, 2021]. <https://twitter.com/iTechKara/status/1190225779747151873/photo/1> (Year: 2019).*

Primary Examiner — Marissa J Cash
Assistant Examiner — William B Melliar

(74) *Attorney, Agent, or Firm* — Dickinson Wright, PLLC; Michael E. Noe, Jr.

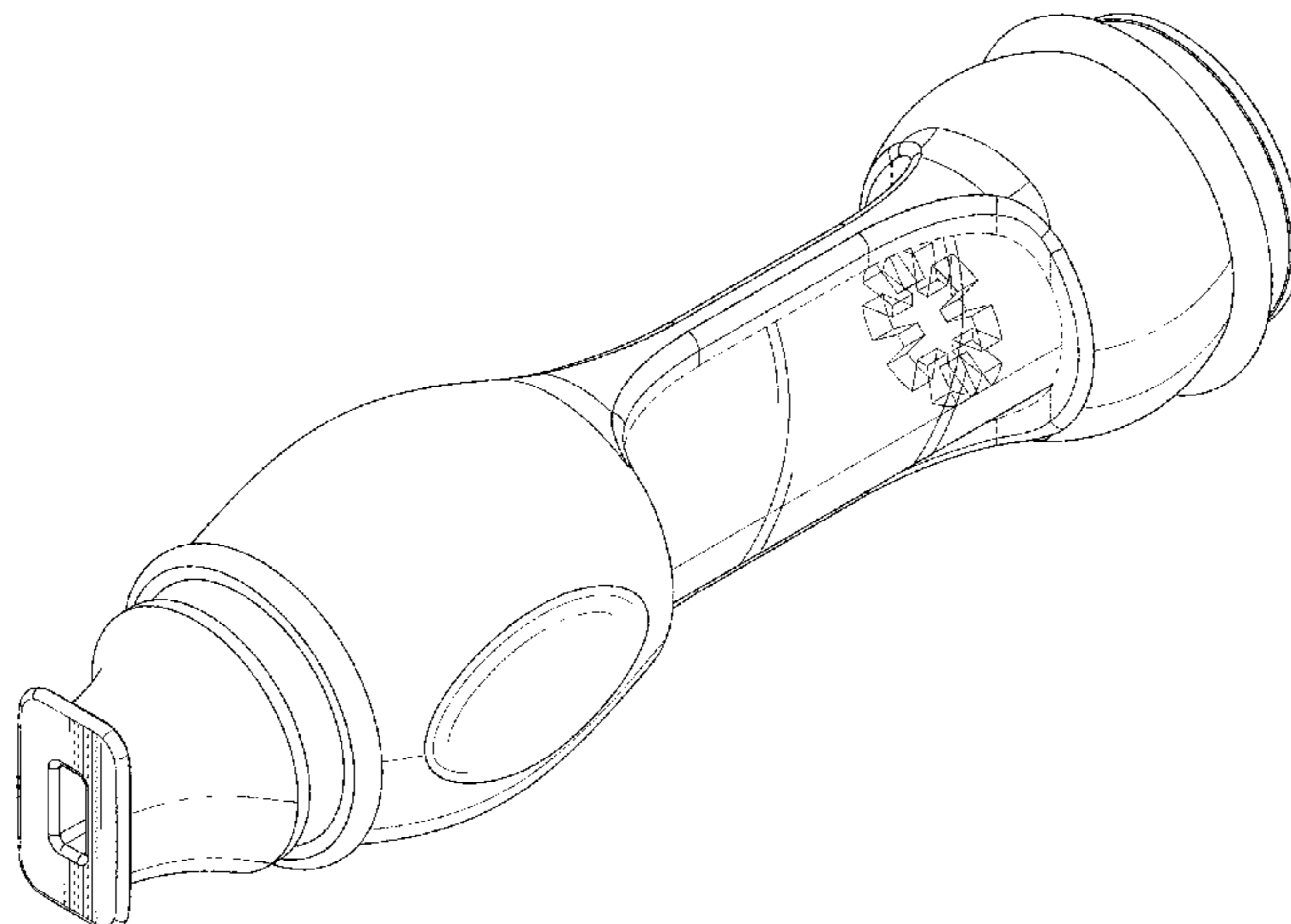
(57) **CLAIM**

The ornamental design for a smoking device, substantially as shown and described.

DESCRIPTION

FIG. 1 is a front isometric view of a smoking device shown in an assembled configuration of use.
FIG. 2 is a rear isometric view of the smoking device of FIG. 1.
FIG. 3 is a top view of the smoking device of FIG. 1.
FIG. 4 is a bottom view of the smoking device of FIG. 1.
FIG. 5 is a front view of the smoking device of FIG. 1.
FIG. 6 is a rear view of the smoking device of FIG. 1.
FIG. 7 is a left side view of the smoking device of FIG. 1.
FIG. 8 is a right side view of the smoking device of FIG. 1.
FIG. 9 is an exploded, front isometric view of FIG. 1.
FIG. 10 is an exploded front perspective view of a smoking device with an inner component shown removed from the smoking device for clarity of disclosure.
FIG. 11 is a top view thereof.
FIG. 12 is a front view thereof of the inner portion of FIG. 9.
FIG. 13 is a rear view thereof of the inner portion of FIG. 9.
FIG. 14 is a front isometric view of a smoking device with the outer component shown removed from the smoking device for clarity of disclosure.
FIG. 15 is a side view thereof.
FIG. 16 is a top view thereof.
FIG. 17 is a front view thereof; and,
FIG. 18 is a rear view thereof.

1 Claim, 11 Drawing Sheets



(58) **Field of Classification Search**

CPC ... A24F 47/008; A24F 15/015; A24F 40/465;
 A24F 42/60; A24F 1/02; A24F 2700/03;
 A24F 47/006; A24F 13/00; A24F 13/14;
 A24F 15/01; A24F 15/12; A24F 15/14;
 A24F 15/18; A24F 42/00; A24F 42/10;
 A24F 7/02; A24F 47/004; A24F 1/00;
 A24F 42/20; A61M 11/042; A61M 15/06;
 A61M 2205/82; A61M 15/002; A61M
 11/041; A61M 15/0001; A61M 15/0085;
 A61M 11/001; A61M 11/04; A61M
 11/044; A61M 15/0015; A61M 15/0021;
 A61M 15/0028; A61M 15/0091; A61M
 15/0095; A61M 16/0808; A61M
 2205/0211; A61M 2205/0238; A61M
 2205/0272; A61M 2205/123; A61M
 2205/3334; A61M 2205/58; A61M
 2205/7536; A61M 2205/3653; A61M
 2205/18; A61M 2205/3317; A61M
 2205/50; A61M 2205/52; A61M
 2205/3368; A24B 15/167

See application file for complete search history.

(56)

References Cited

U.S. PATENT DOCUMENTS

D692,122 S * 10/2013 von Hollen D24/110
 D692,555 S * 10/2013 Maksym D24/110.5
 D696,397 S * 12/2013 Guarraia D24/113
 D696,768 S * 12/2013 Karlsson D24/110.5
 D758,569 S * 6/2016 Wohlfahrt D24/113
 D758,570 S * 6/2016 Wohlfahrt D24/113
 D761,487 S * 7/2016 Han D27/162
 D774,641 S * 12/2016 Miggels D24/113
 D788,909 S * 6/2017 Ratjen D24/113
 D800,303 S * 10/2017 Ratjen D24/130
 D810,282 S * 2/2018 Ratjen D24/113
 D827,152 S * 8/2018 Ou D24/224
 D863,666 S * 10/2019 Wang D27/101
 D869,750 S * 12/2019 Zhang D27/162
 D869,751 S * 12/2019 Zhang D27/162
 D874,059 S * 1/2020 Bailey D27/162
 D895,106 S * 9/2020 Patil D24/113
 D901,755 S * 11/2020 Peirce D27/101
 D903,108 S * 11/2020 Scrimgeour D24/113
 D903,109 S * 11/2020 Wildenhahn D24/113
 D910,230 S * 2/2021 Peirce D27/101

* cited by examiner

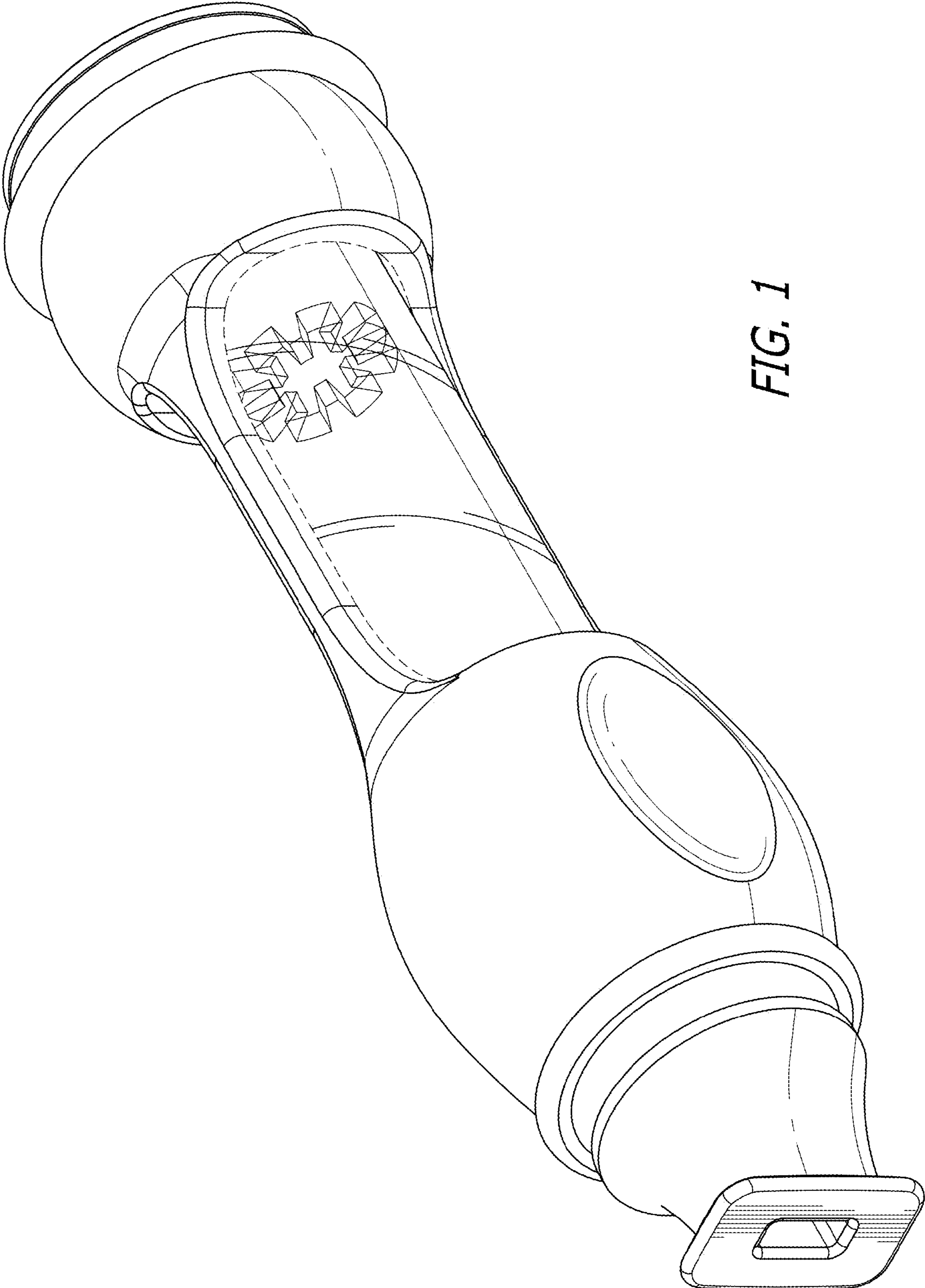


FIG. 1

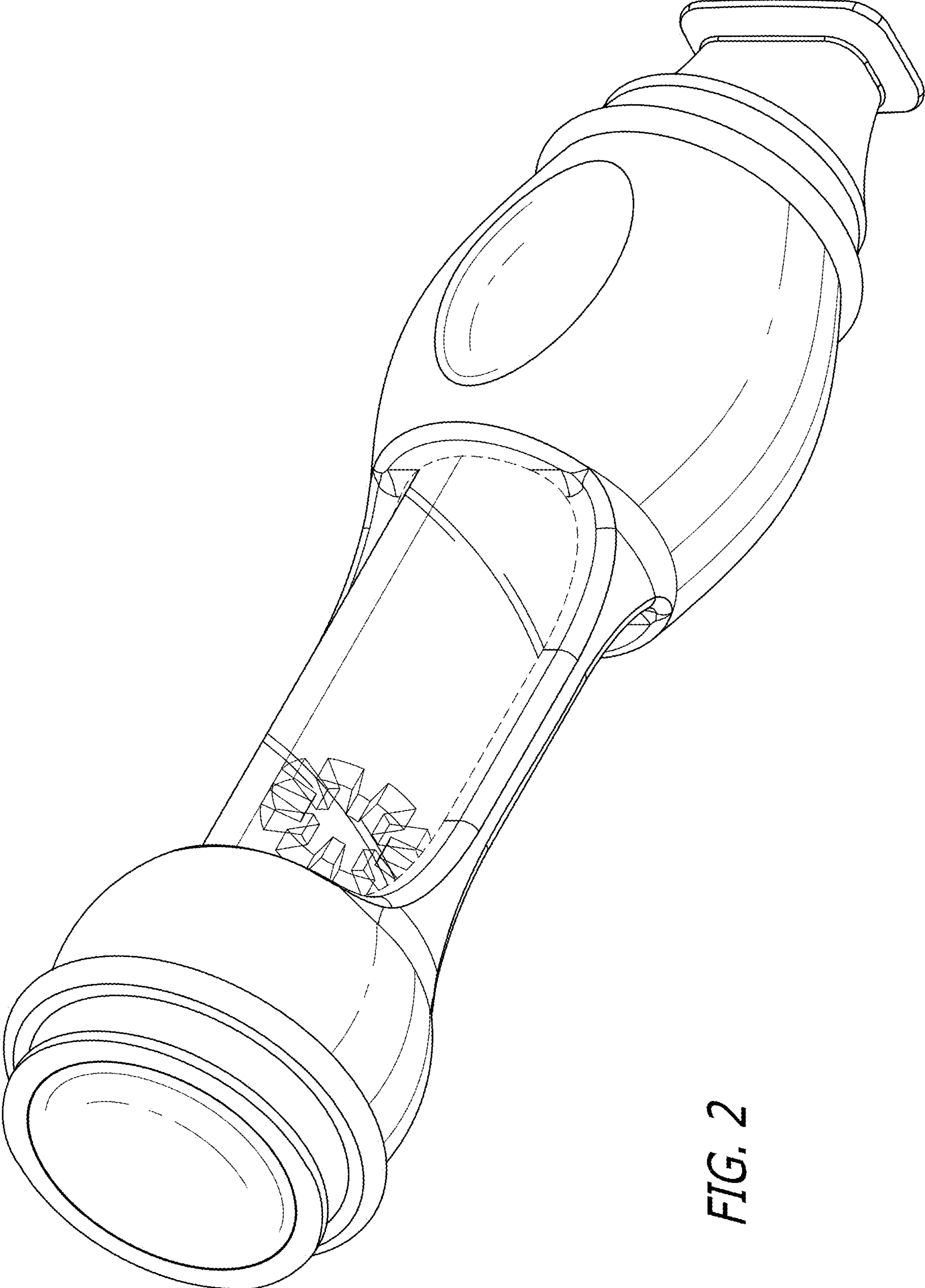
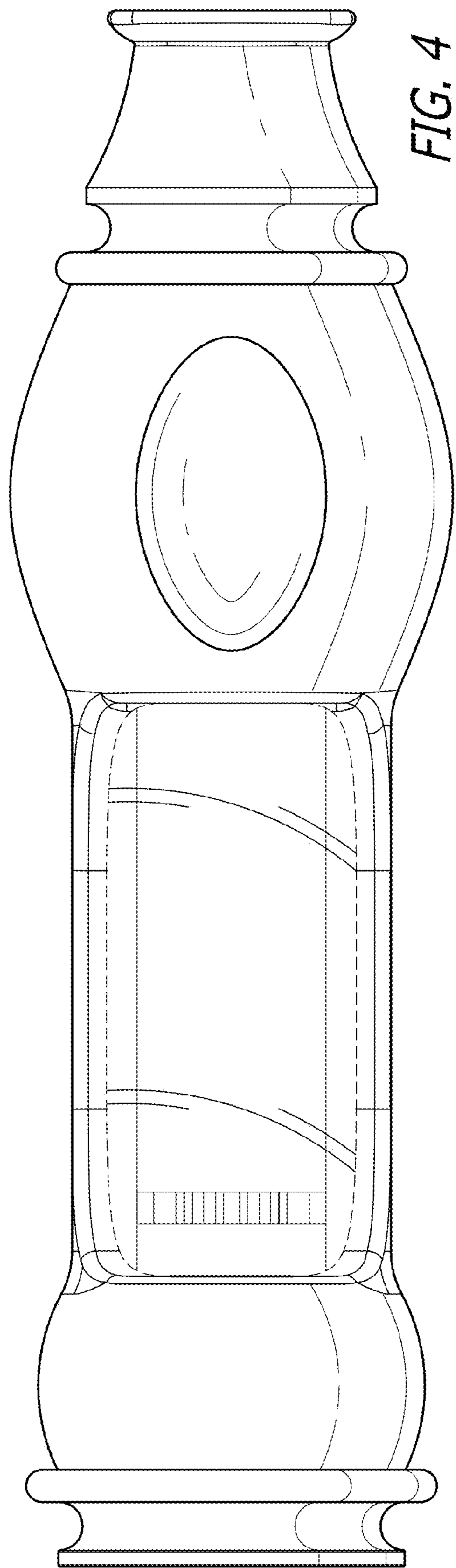
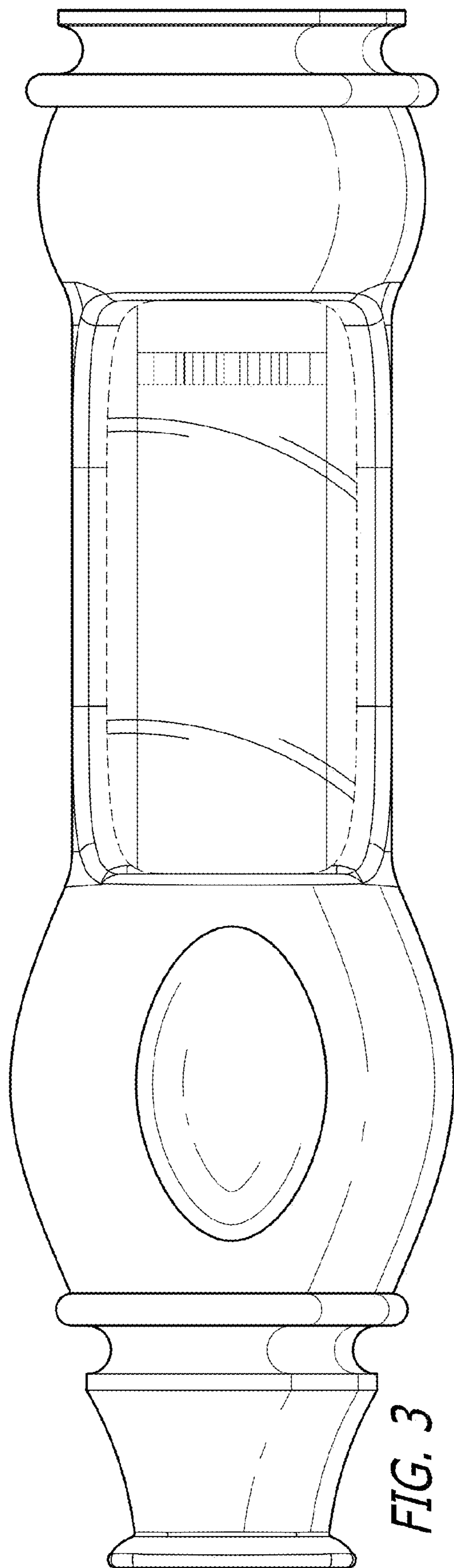


FIG. 2



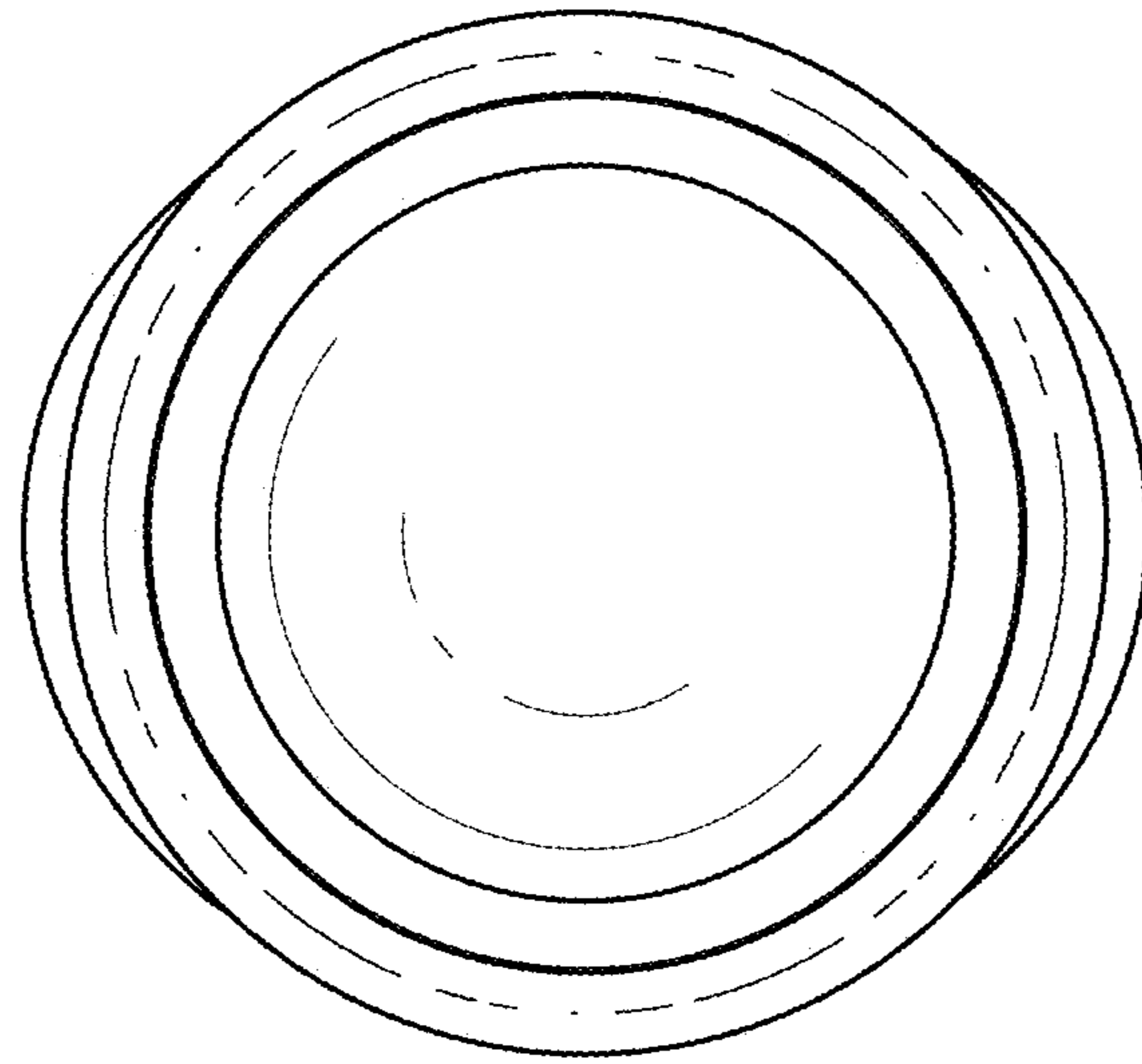


FIG. 6

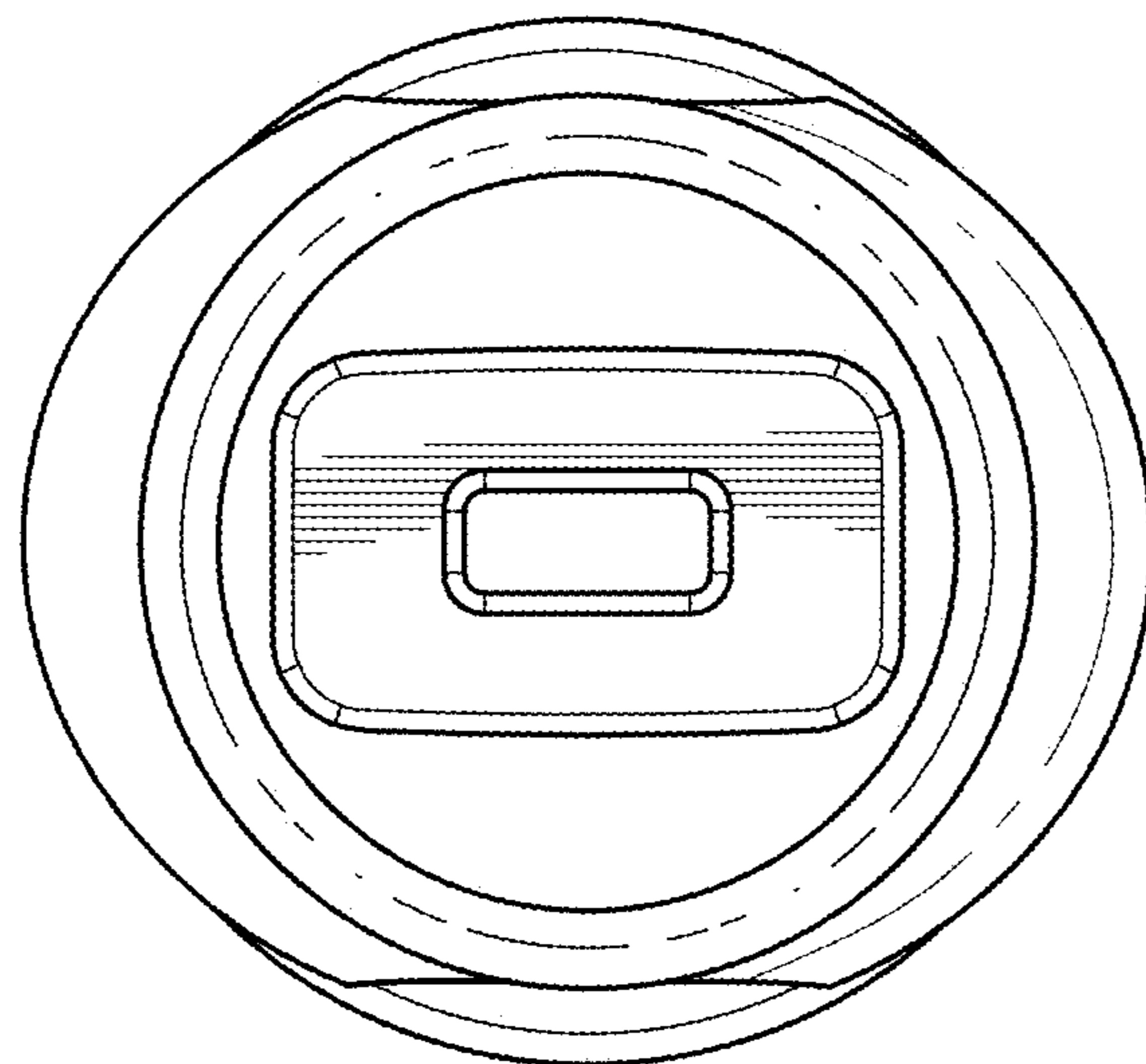


FIG. 5

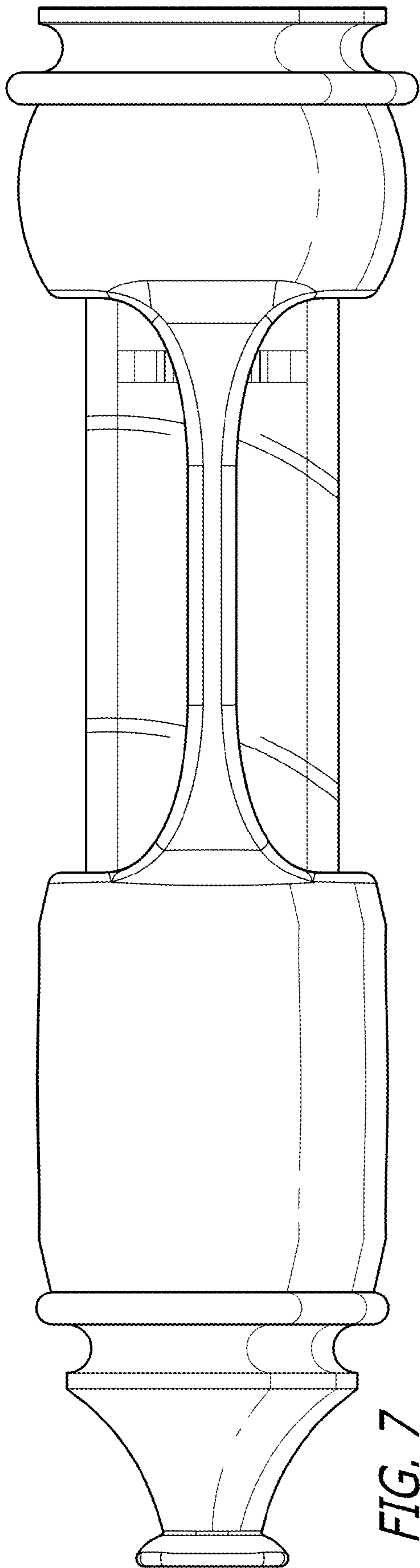


FIG. 7

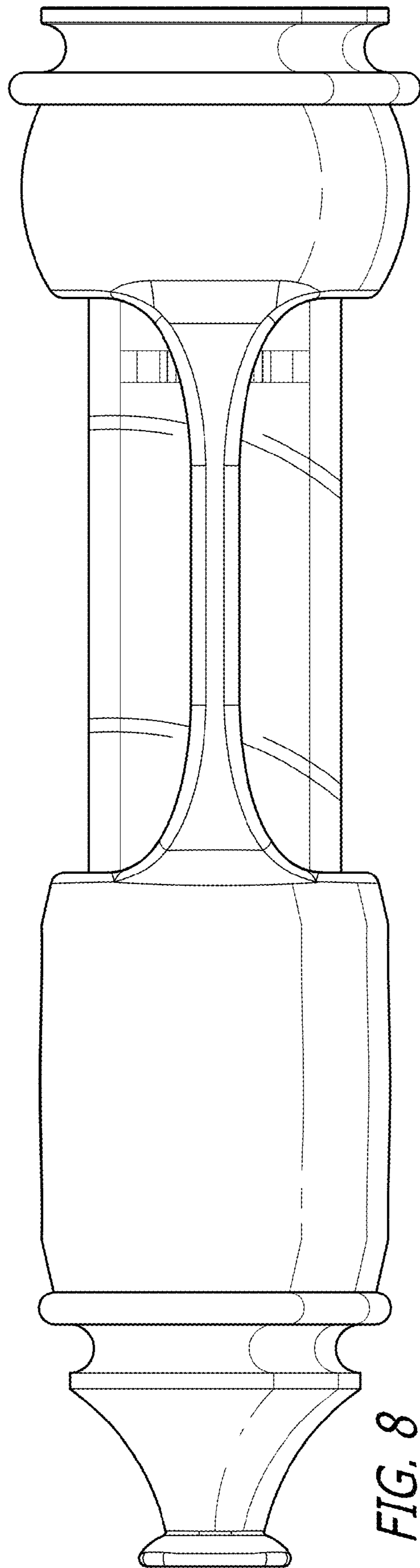


FIG. 8

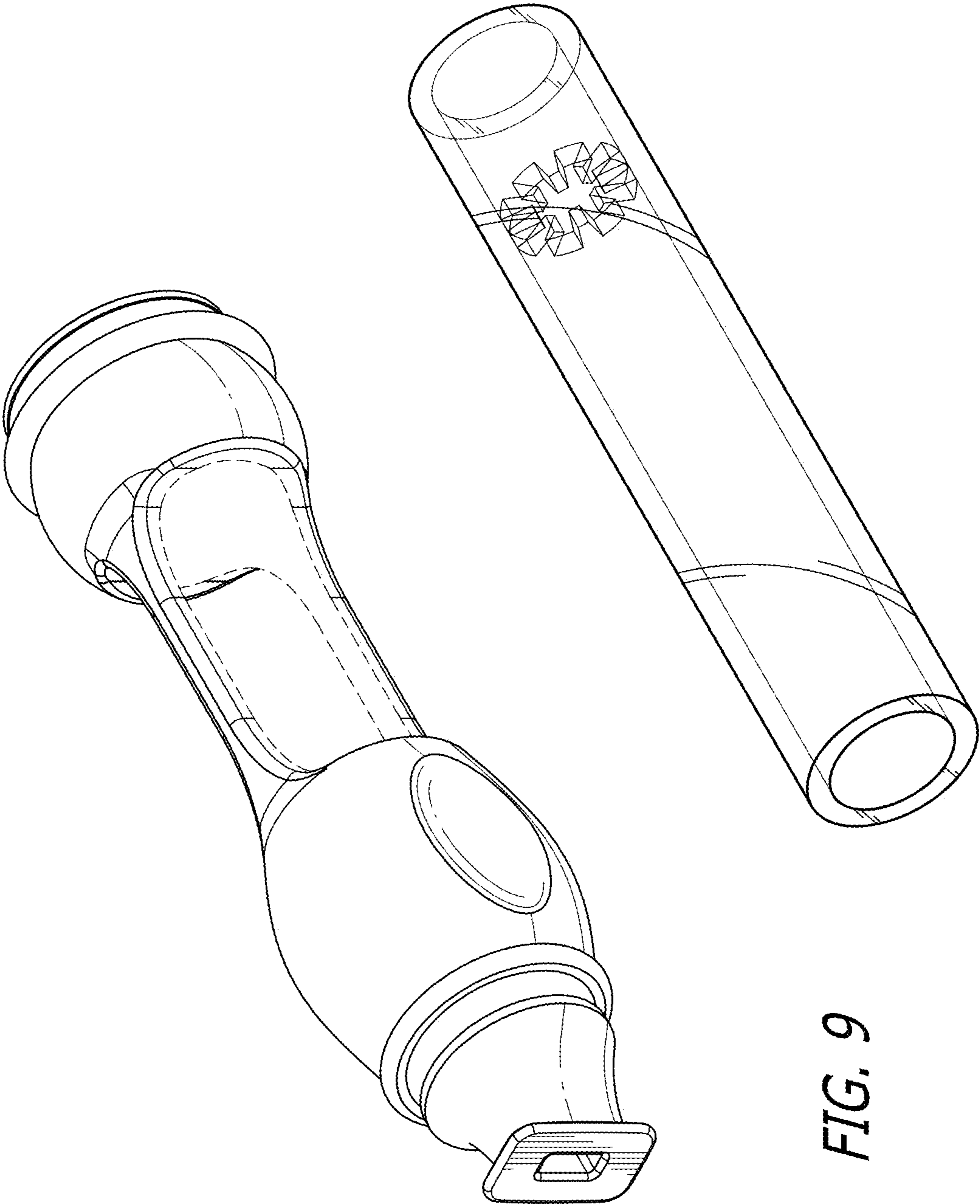


FIG. 9

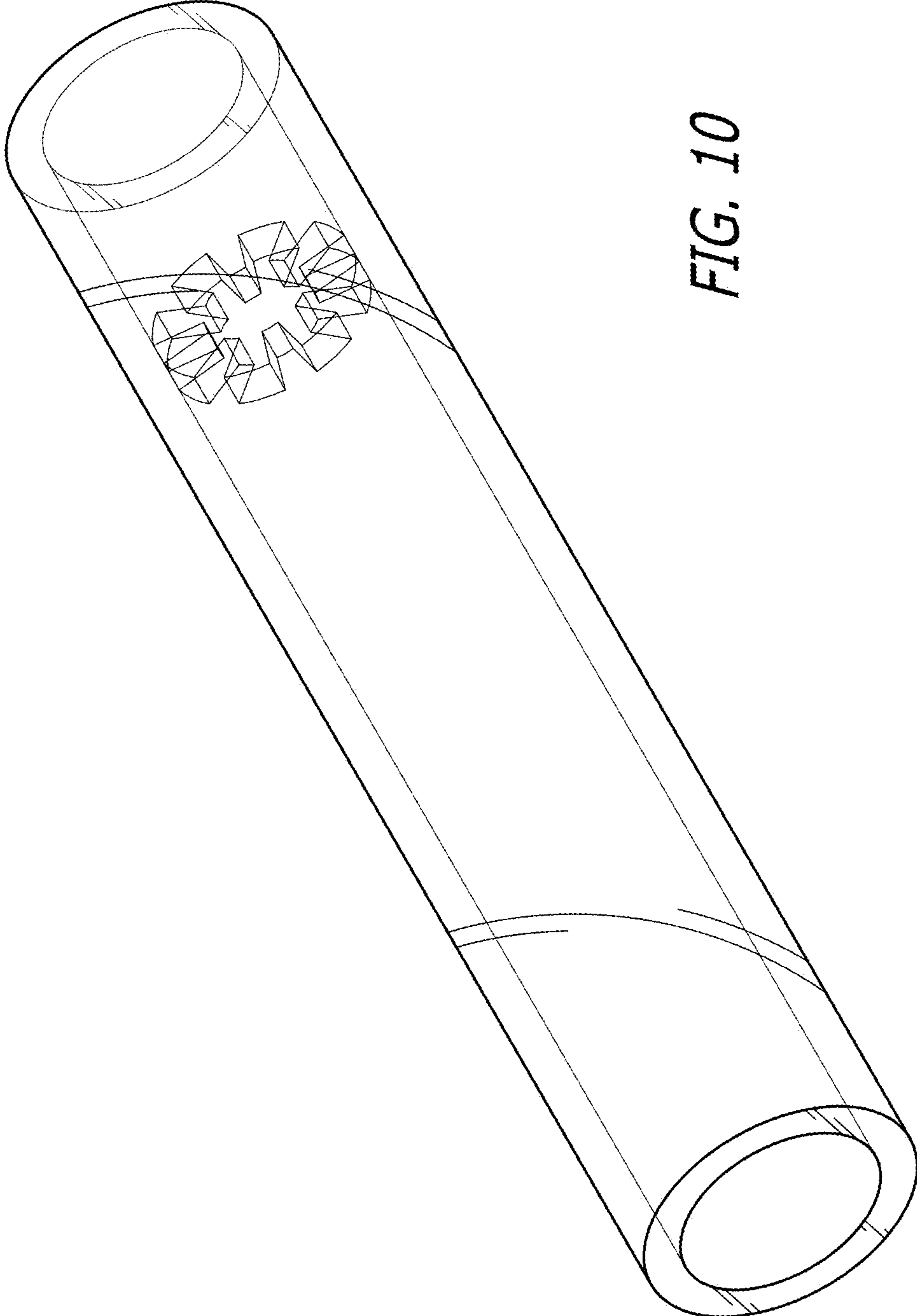


FIG. 10

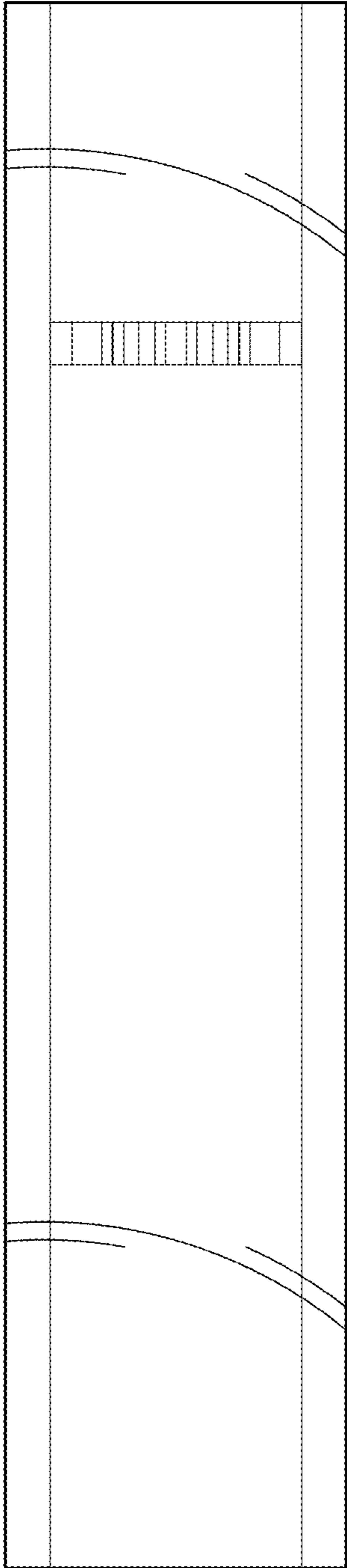


FIG. 11

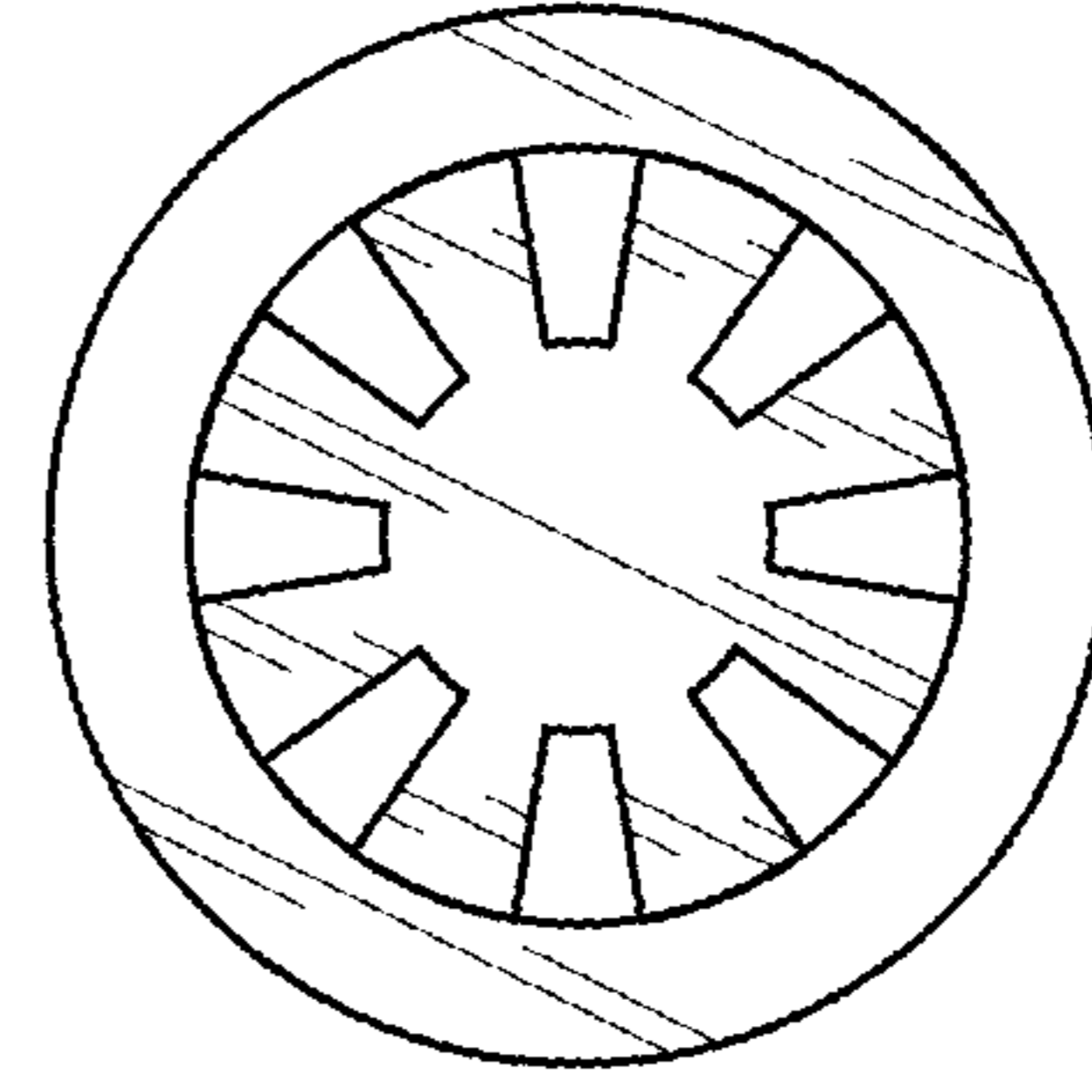


FIG. 12

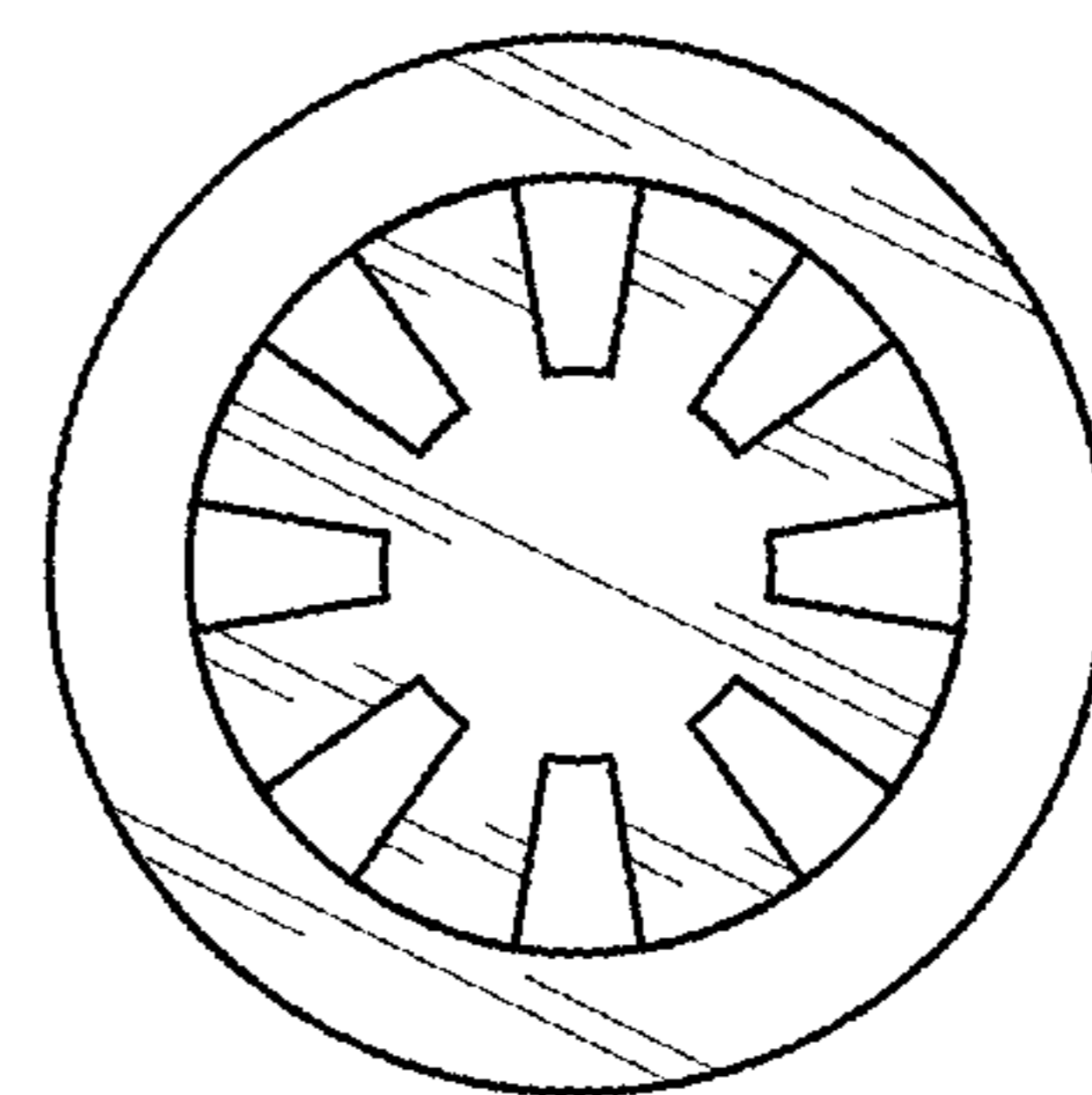


FIG. 13

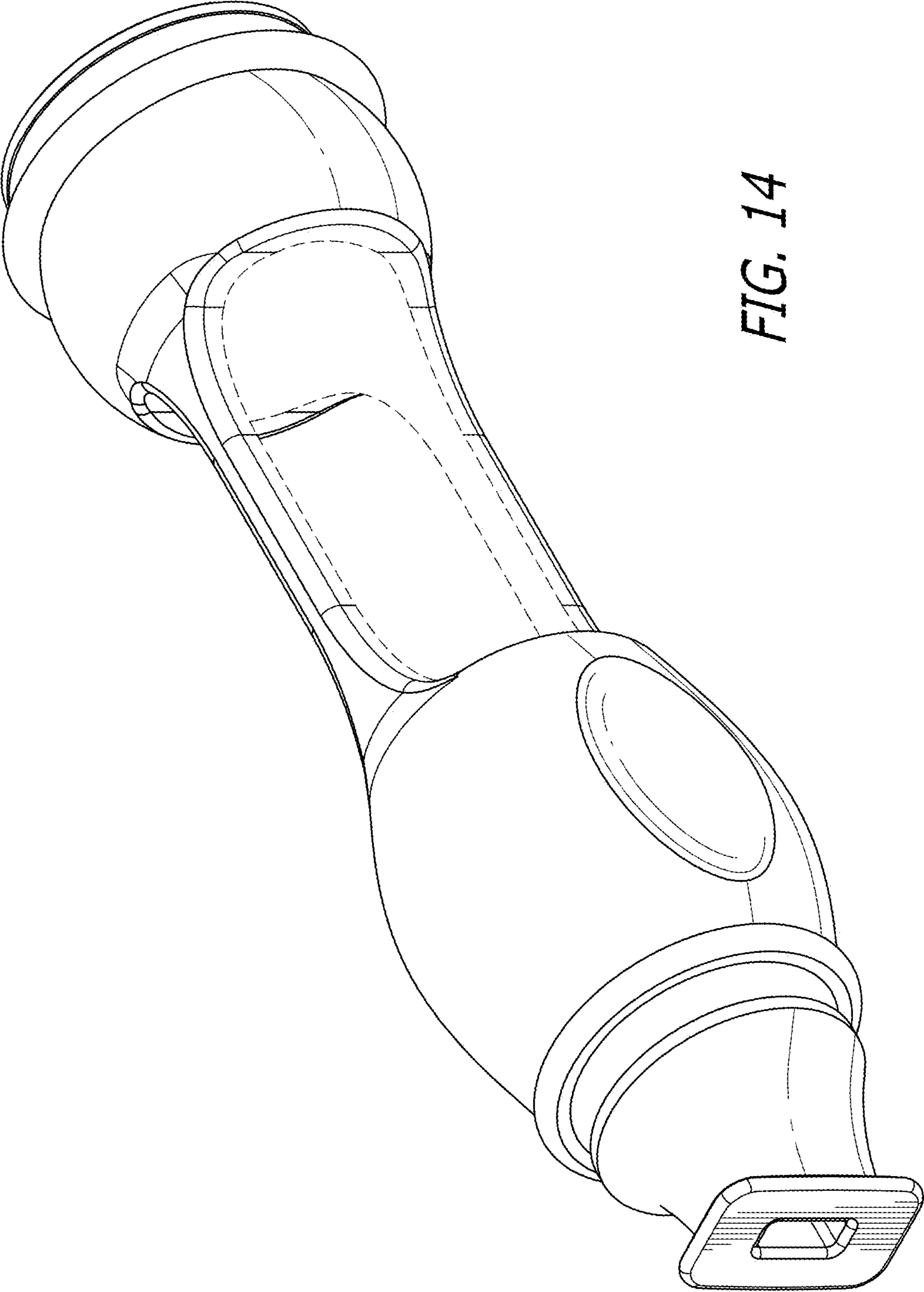
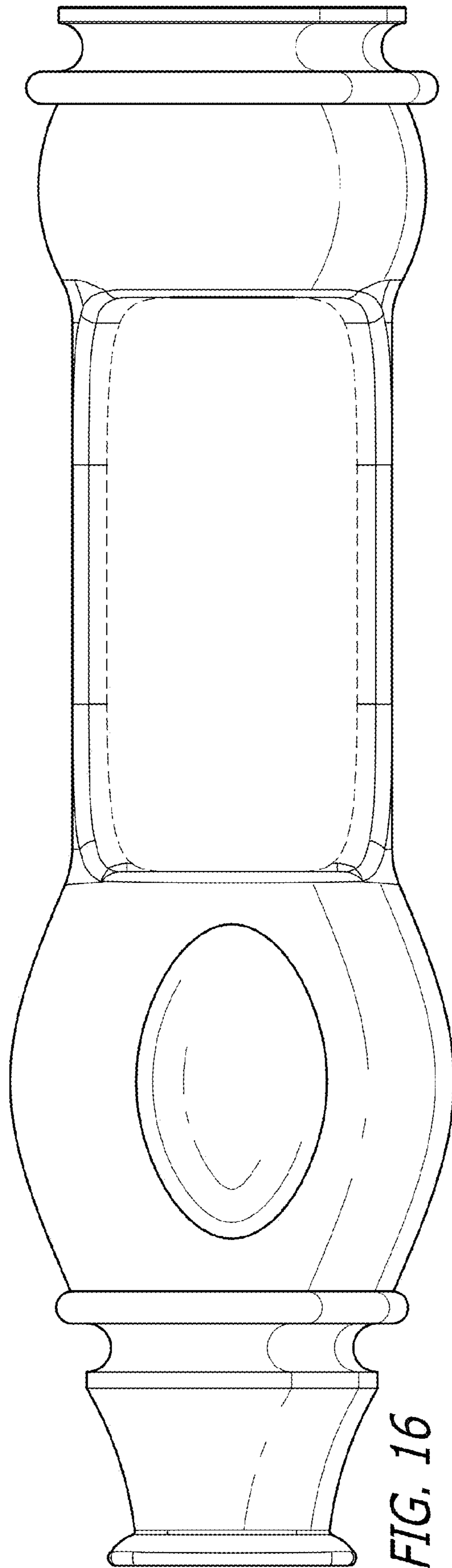
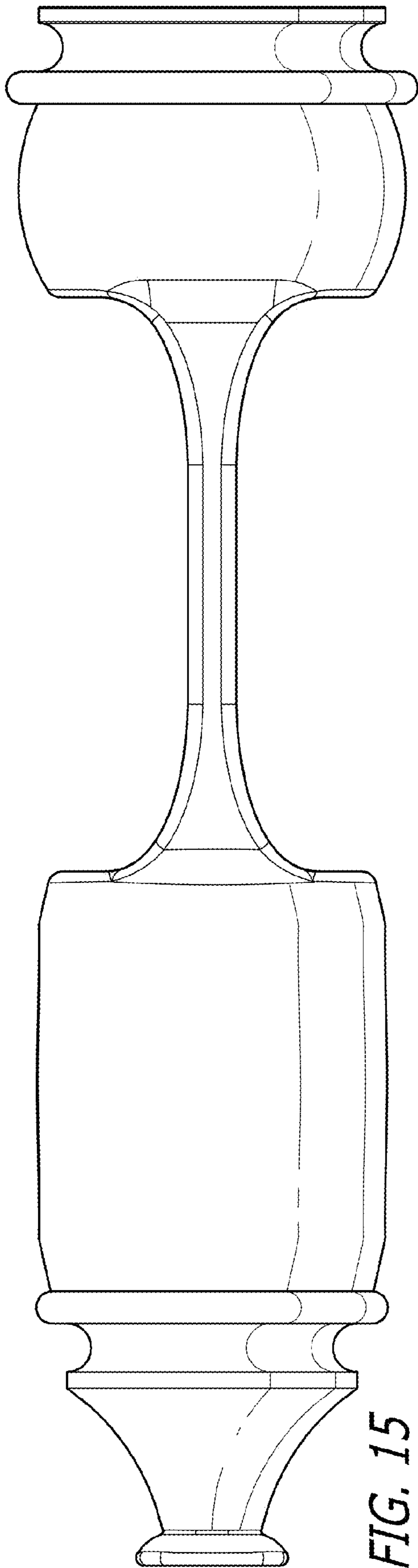


FIG. 14



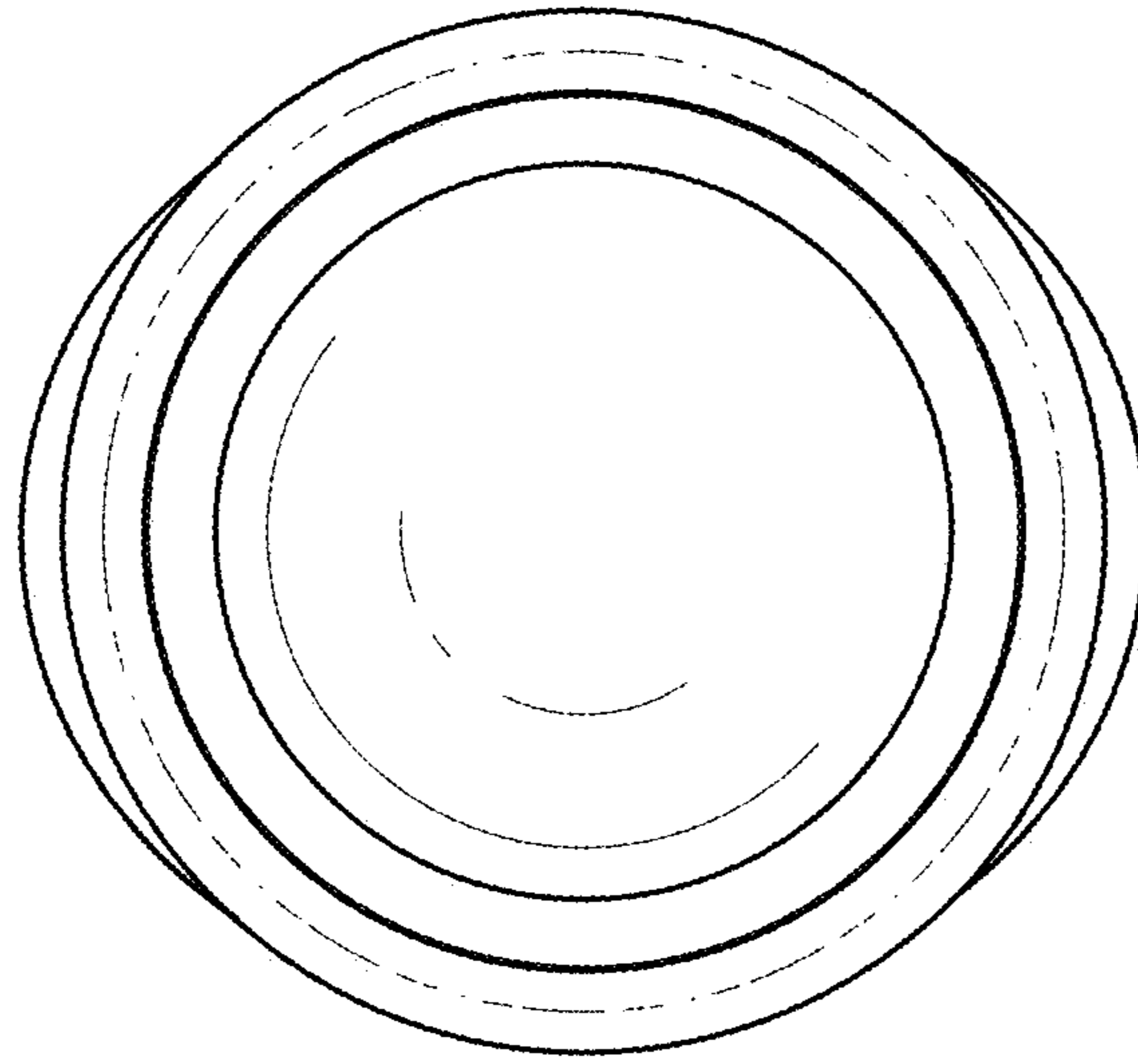


FIG. 18

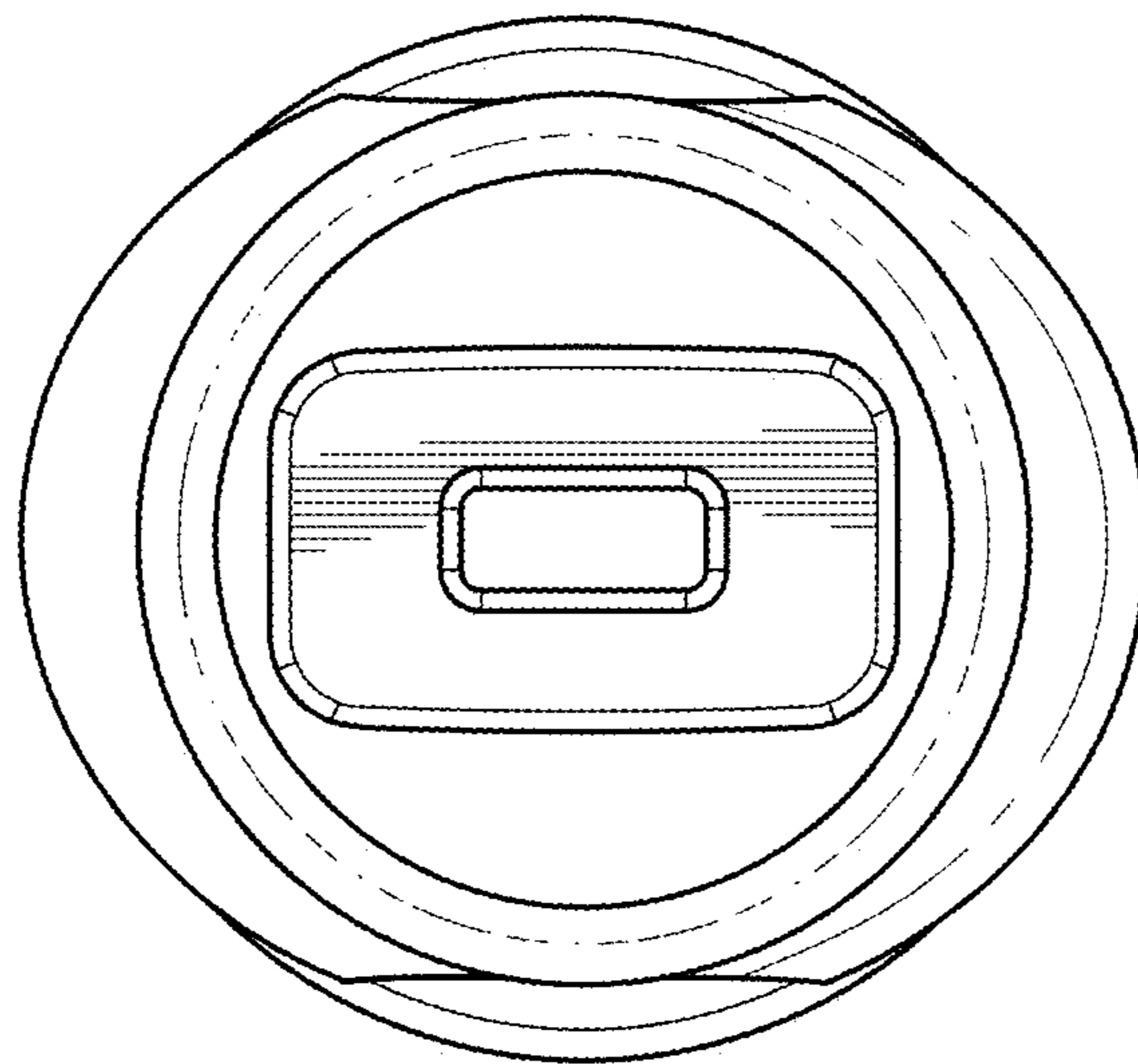


FIG. 17