



US00D940384S

(12) **United States Design Patent**  
**Dodson et al.**

(10) **Patent No.:** **US D940,384 S**  
(45) **Date of Patent:** **\*\* Jan. 4, 2022**

- (54) **SMOKING DEVICE**
- (71) Applicant: **GRAVITRON, LLC**, Austin, TX (US)
- (72) Inventors: **Travis Dodson**, Austin, TX (US);  
**Micah Evans**, Austin, TX (US)
- (73) Assignee: **Gravitron, LLC**, Austin, TX (US)
- (\*\*) Term: **15 Years**
- (21) Appl. No.: **29/720,891**
- (22) Filed: **Jan. 16, 2020**
- (51) **LOC (13) Cl.** ..... **27-02**
- (52) **U.S. Cl.**  
USPC ..... **D27/162**
- (58) **Field of Classification Search**  
USPC ..... D27/100, 101, 162, 163, 164, 165, 166,  
D27/167, 168, 169, 170, 171, 172, 173,  
D27/174, 175, 176, 177, 178, 179, 180,  
D27/181, 182, 183, 184, 185, 186, 187,  
D27/188, 189, 190, 191, 192, 193;  
D28/91.1; D23/360, 362; D24/110,  
D24/110.4, 110.5, 110.6, 113  
CPC ..... A24F 40/10; A24F 40/40; A24F 40/46;  
A24F 40/42; A24F 40/44; A24F 40/485;  
A24F 40/50; A24F 40/60; A24F 40/90;  
A24F 40/53; A24F 40/70; A24F 40/48;  
A24F 40/51; A24F 40/57; A24F 40/05;  
(Continued)

(56) **References Cited**

**U.S. PATENT DOCUMENTS**

- D342,993 S \* 1/1994 Fathi ..... D24/110
  - D448,475 S \* 9/2001 Jansen ..... D24/110
- (Continued)

**OTHER PUBLICATIONS**

Grav Labs 12mm Octo-taster With Silicone Skin. By TechKara. Dated Oct. 7, 2019. Found online [Feb. 24, 2021]. <https://twitter.com/iTechKara/status/1181094463881519104/photo/1> (Year: 2019).\*

*Primary Examiner* — Marissa J Cash  
*Assistant Examiner* — William B Melliar  
(74) *Attorney, Agent, or Firm* — Dickinson Wright, PLLC; Michael E. Noe, Jr.

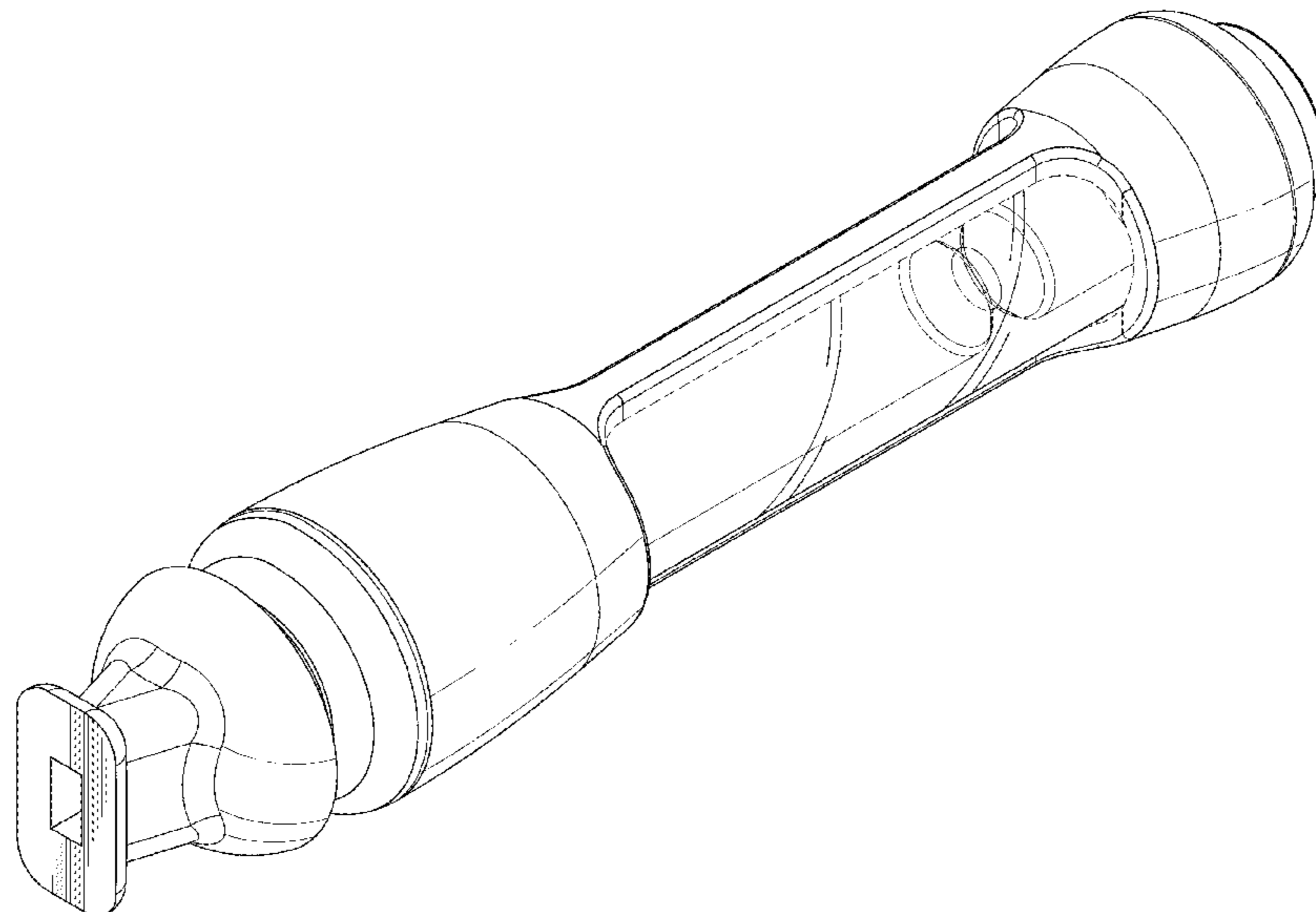
(57) **CLAIM**

The ornamental design for a smoking device, substantially as shown and described.

**DESCRIPTION**

FIG. 1 is a front isometric view of a smoking device shown in an assembled configuration of use.  
 FIG. 2 is a rear isometric view of the smoking device of FIG. 1.  
 FIG. 3 is a top view of the smoking device of FIG. 1.  
 FIG. 4 is a bottom view of the smoking device of FIG. 1.  
 FIG. 5 is a front view of the smoking device of FIG. 1.  
 FIG. 6 is a rear view of the smoking device of FIG. 1.  
 FIG. 7 is a left side view of the smoking device of FIG. 1.  
 FIG. 8 is a right side view of the smoking device of FIG. 1.  
 FIG. 9 is an exploded, front isometric view of FIG. 1.  
 FIG. 10 is an exploded front perspective view of a smoking device with an inner component shown removed from the smoking device for clarity of disclosure.  
 FIG. 11 is a top view thereof.  
 FIG. 12 is a front view thereof.  
 FIG. 13 is a rear view thereof.  
 FIG. 14 is a front isometric view of a smoking device with the outer component shown removed from the smoking device for clarity of disclosure.  
 FIG. 15 is a top view thereof.  
 FIG. 16 is a side view thereof.  
 FIG. 17 is a front view thereof; and,  
 FIG. 18 is a rear view thereof.  
 The broken lines in the drawings depict portions of the smoking device that form no part of the claimed design.

**1 Claim, 11 Drawing Sheets**



**(58) Field of Classification Search**

CPC ..... A24F 40/65; A24F 40/20; A24F 47/002;  
 A24F 40/30; A24F 7/00; A24F 47/00;  
 A24F 1/32; A24F 40/00; A24F 40/49;  
 A24F 40/85; A24F 40/95; A24F 7/04;  
 A24F 9/16; A24F 47/008; A24F 15/015;  
 A24F 40/465; A24F 42/60; A24F 1/02;  
 A24F 2700/03; A24F 47/006; A24F  
 13/00; A24F 13/14; A24F 15/01; A24F  
 15/12; A24F 15/14; A24F 15/18; A24F  
 42/00; A24F 42/10; A24F 7/02; A24F  
 47/004; A24F 1/00; A24F 42/20; A61M  
 11/042; A61M 15/06; A61M 2205/82;  
 A61M 15/002; A61M 11/041; A61M  
 15/0001; A61M 15/0085; A61M 11/001;  
 A61M 11/04; A61M 11/044; A61M  
 15/0015; A61M 15/0021; A61M 15/0028;  
 A61M 15/0091; A61M 15/0095; A61M  
 16/0808; A61M 2205/0211; A61M  
 2205/0238; A61M 2205/0272; A61M  
 2205/123; A61M 2205/3334; A61M  
 2205/58; A61M 2205/7536; A61M  
 2205/3653; A61M 2205/18; A61M  
 2205/3317; A61M 2205/50; A61M  
 2205/52; A61M 2205/3368; A42B 15/167

See application file for complete search history.

**(56)**

**References Cited**

U.S. PATENT DOCUMENTS

D597,656	S	*	8/2009	Bird	.....	D24/110
D652,571	S	*	1/2012	Shenassa	.....	D27/163
D692,122	S	*	10/2013	von Hollen	.....	D24/110
D692,555	S	*	10/2013	Maksym	.....	D24/110.5
D696,397	S	*	12/2013	Guarraia	.....	D24/113
D696,768	S	*	12/2013	Karlsson	.....	D24/110.5
D758,569	S	*	6/2016	Wohlfahrt	.....	D24/113
D758,570	S	*	6/2016	Wohlfahrt	.....	D24/113
D761,487	S	*	7/2016	Han	.....	D27/162
D774,641	S	*	12/2016	Miggels	.....	D24/113
D788,909	S	*	6/2017	Ratjen	.....	D24/113
D800,303	S	*	10/2017	Ratjen	.....	D24/130
D810,282	S	*	2/2018	Ratjen	.....	D24/113
D827,152	S	*	8/2018	Ou	.....	D24/224
D863,666	S	*	10/2019	Wang	.....	D27/101
D869,750	S	*	12/2019	Zhang	.....	D27/162
D869,751	S	*	12/2019	Zhang	.....	D27/162
D874,059	S	*	1/2020	Bailey	.....	D27/162
D895,106	S	*	9/2020	Patil	.....	D24/113
D901,755	S	*	11/2020	Peirce	.....	D27/101
D903,108	S	*	11/2020	Scrimgeour	.....	D24/113
D903,109	S	*	11/2020	Wildenhahn	.....	D24/113
D910,230	S	*	2/2021	Peirce	.....	D27/101

\* cited by examiner

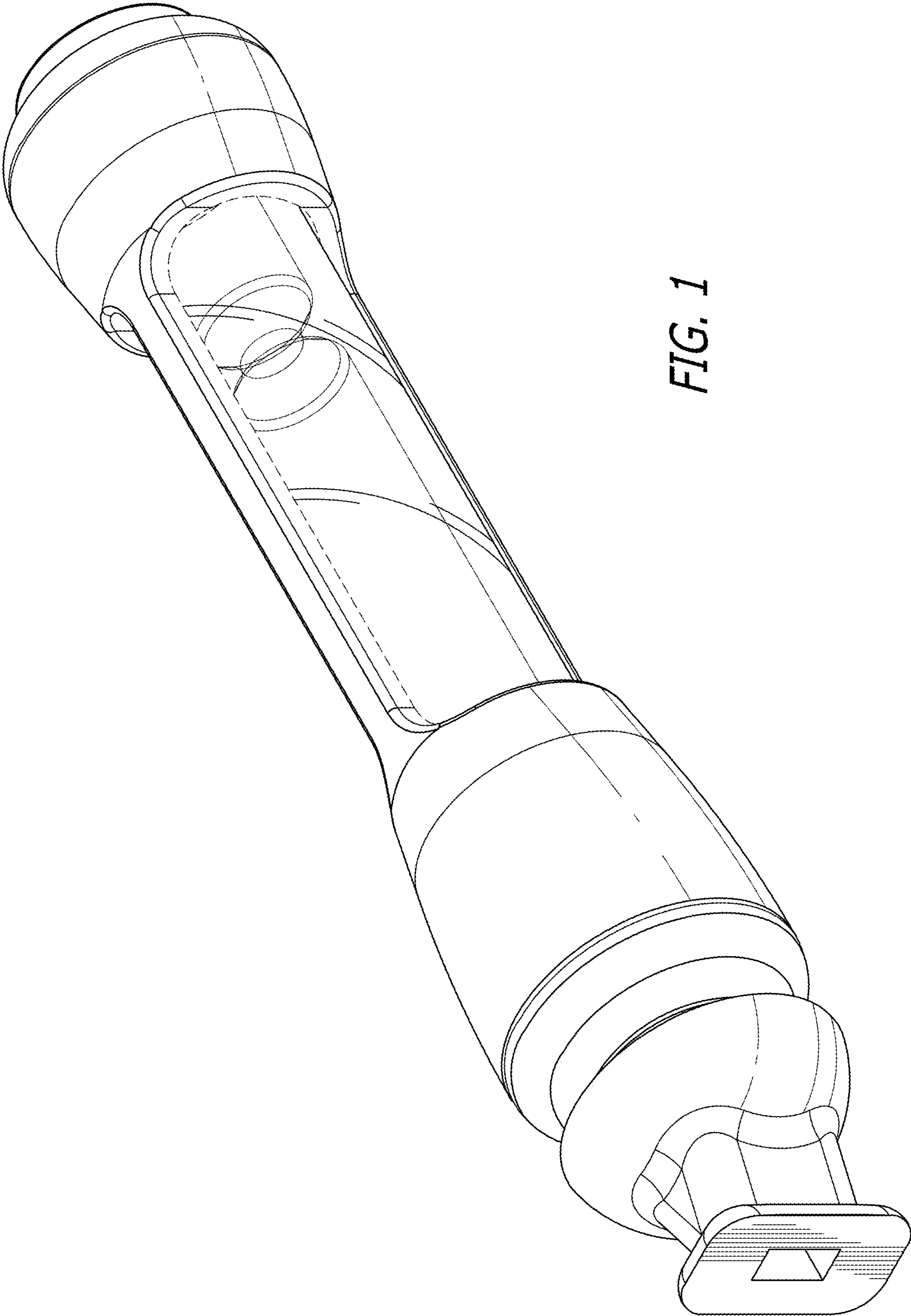


FIG. 1

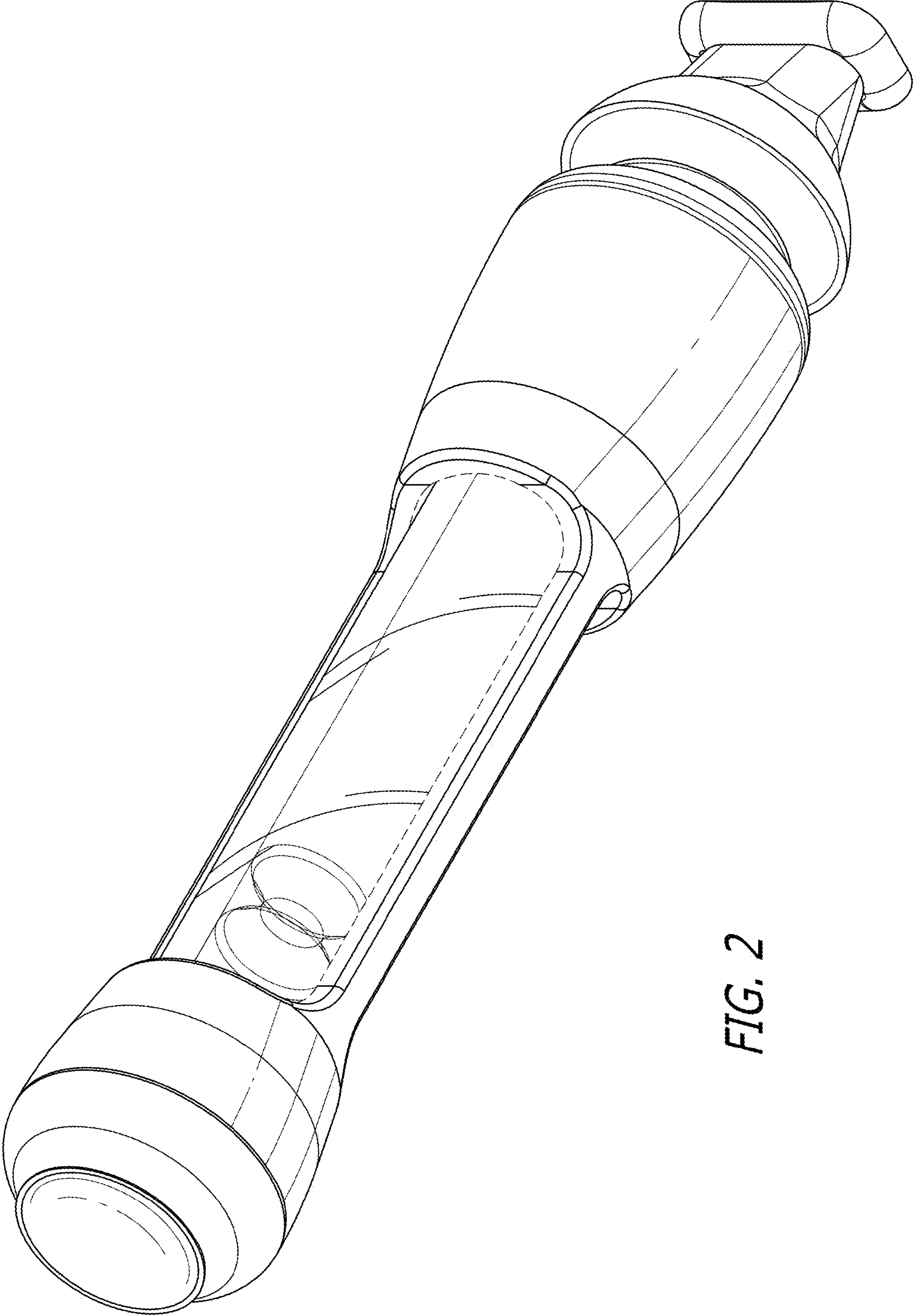
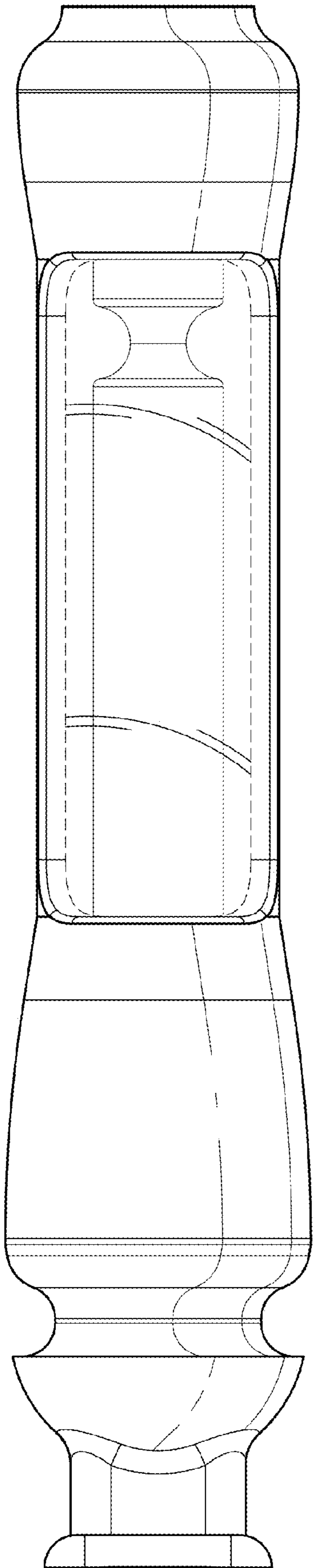
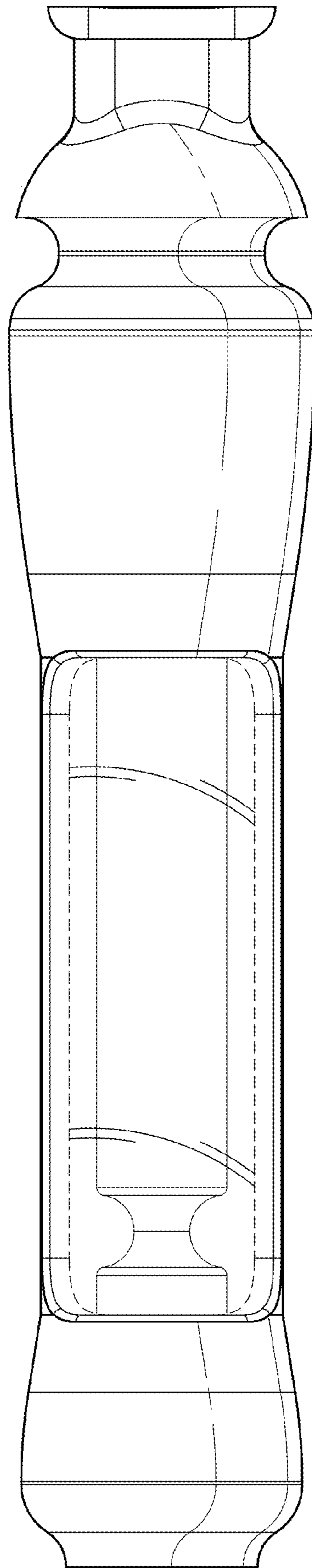


FIG. 2



*FIG. 3*



*FIG. 4*

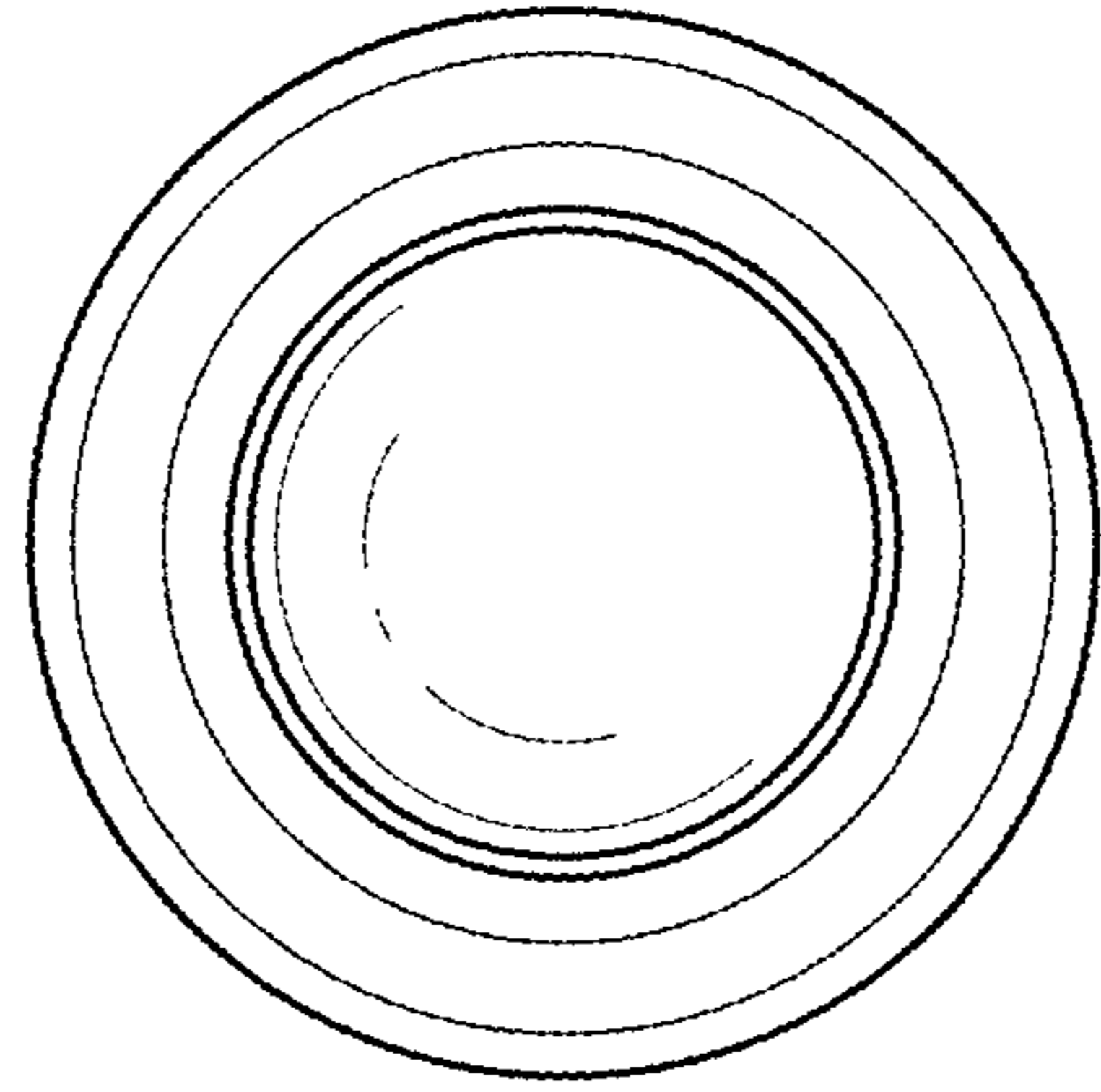


FIG. 6

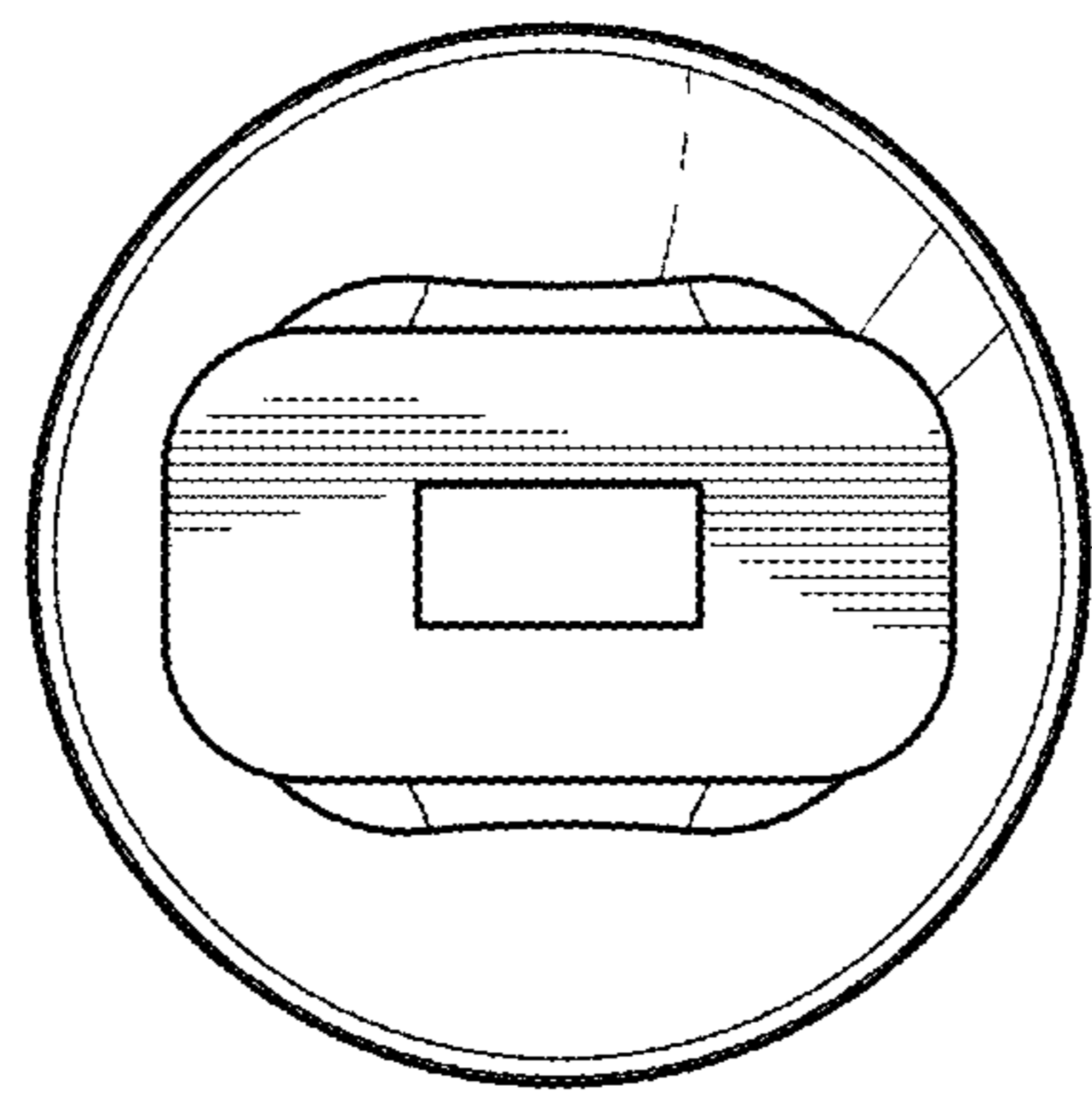


FIG. 5

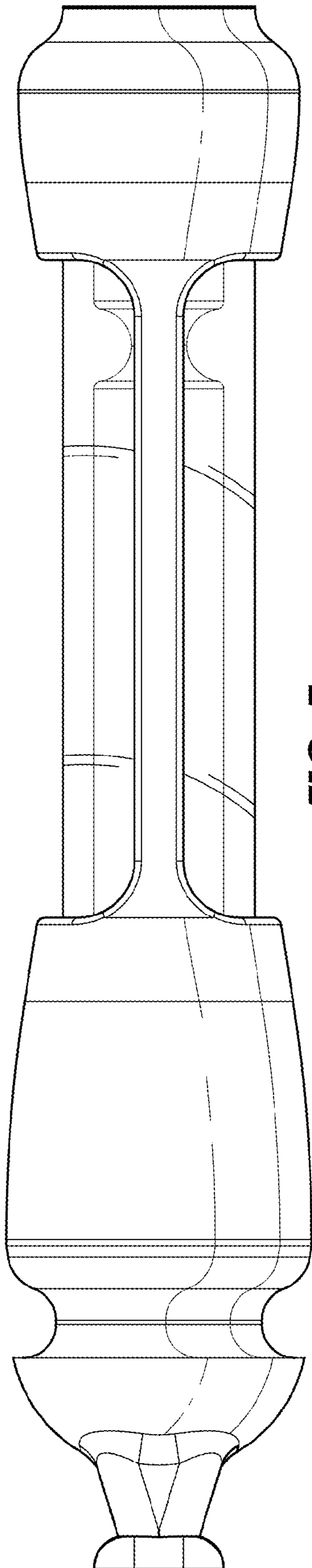


FIG. 7

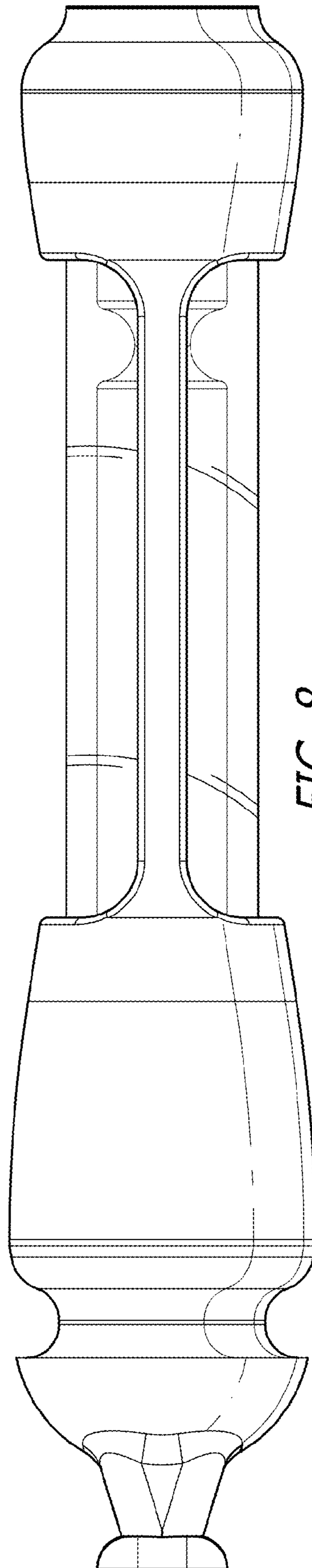


FIG. 8

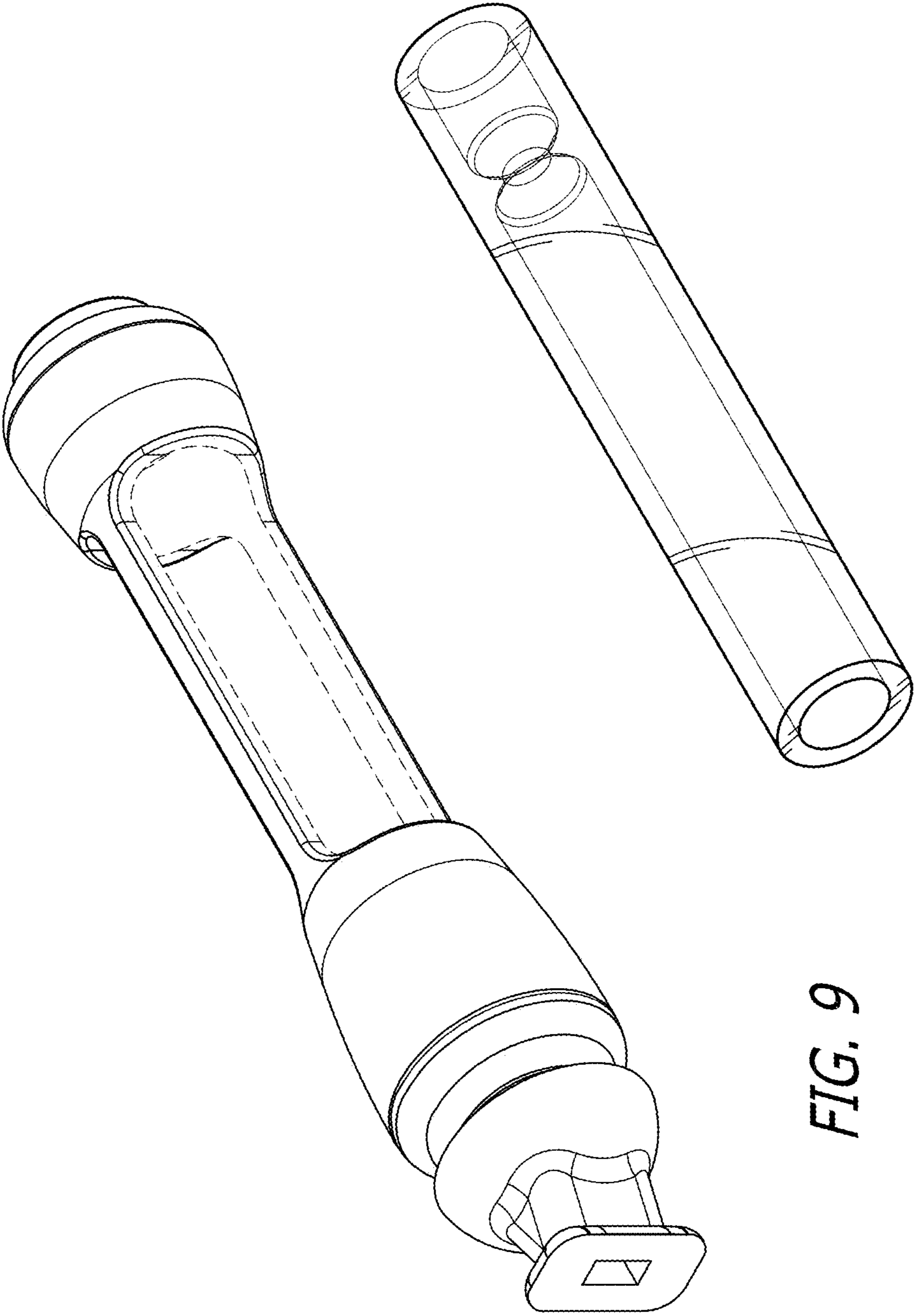
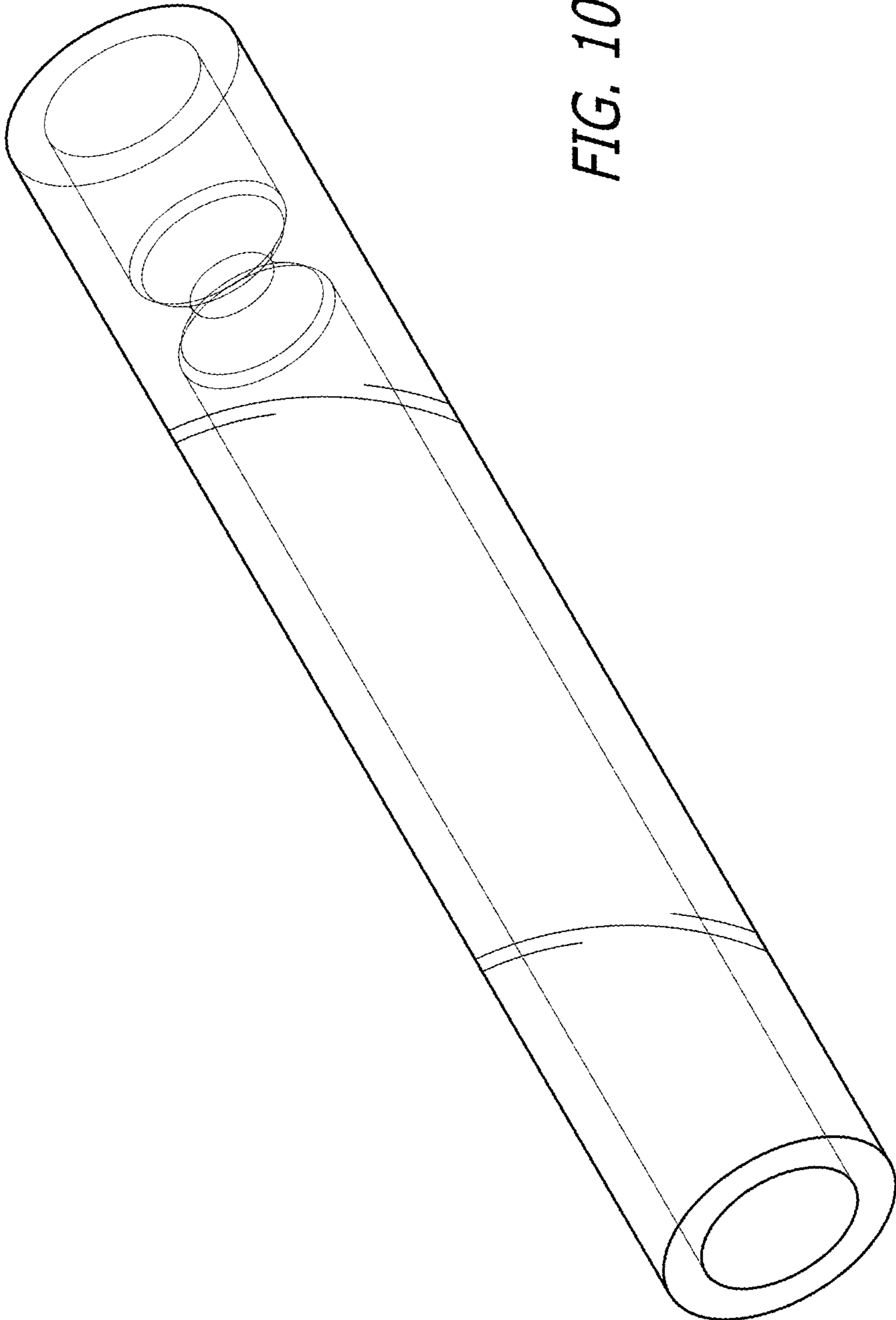
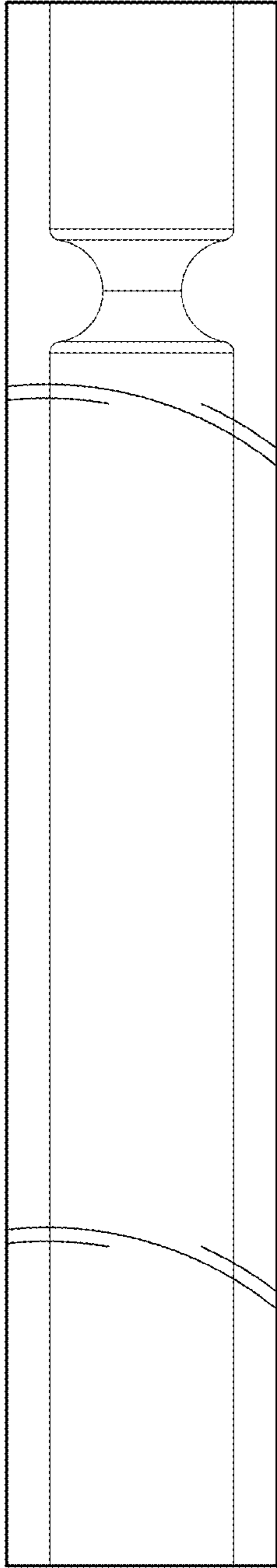


FIG. 9

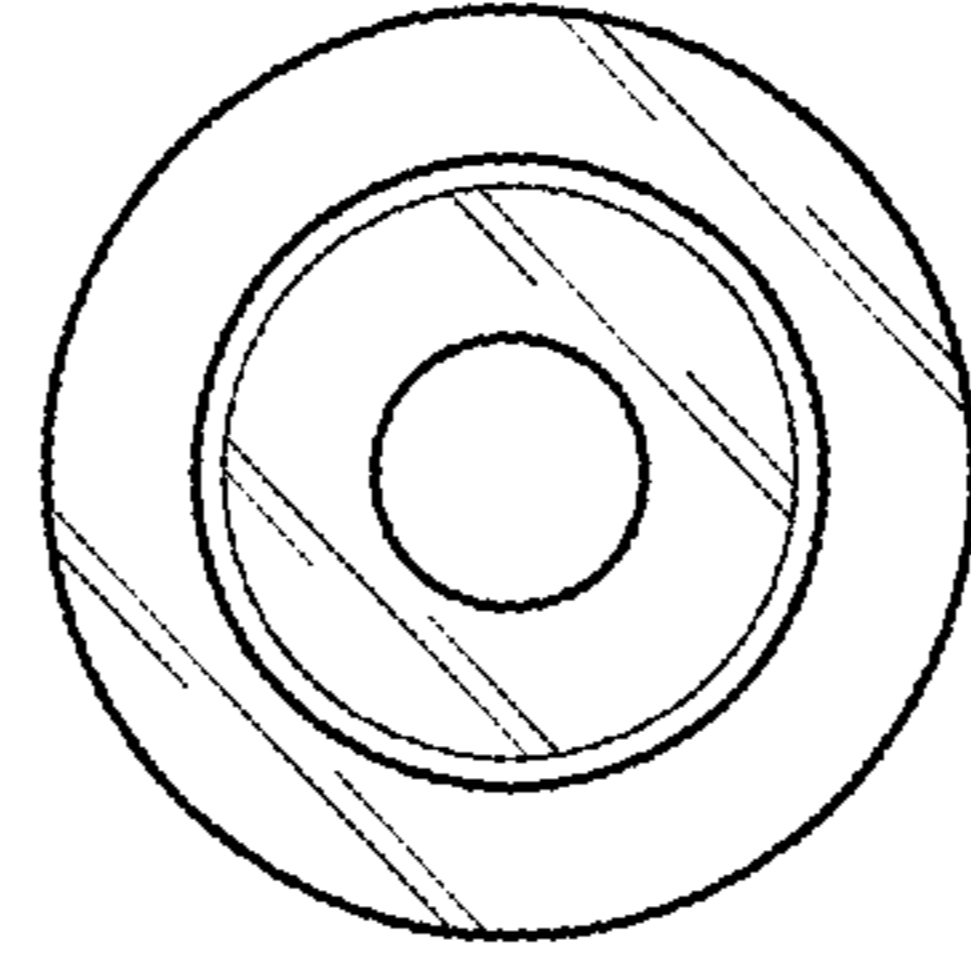




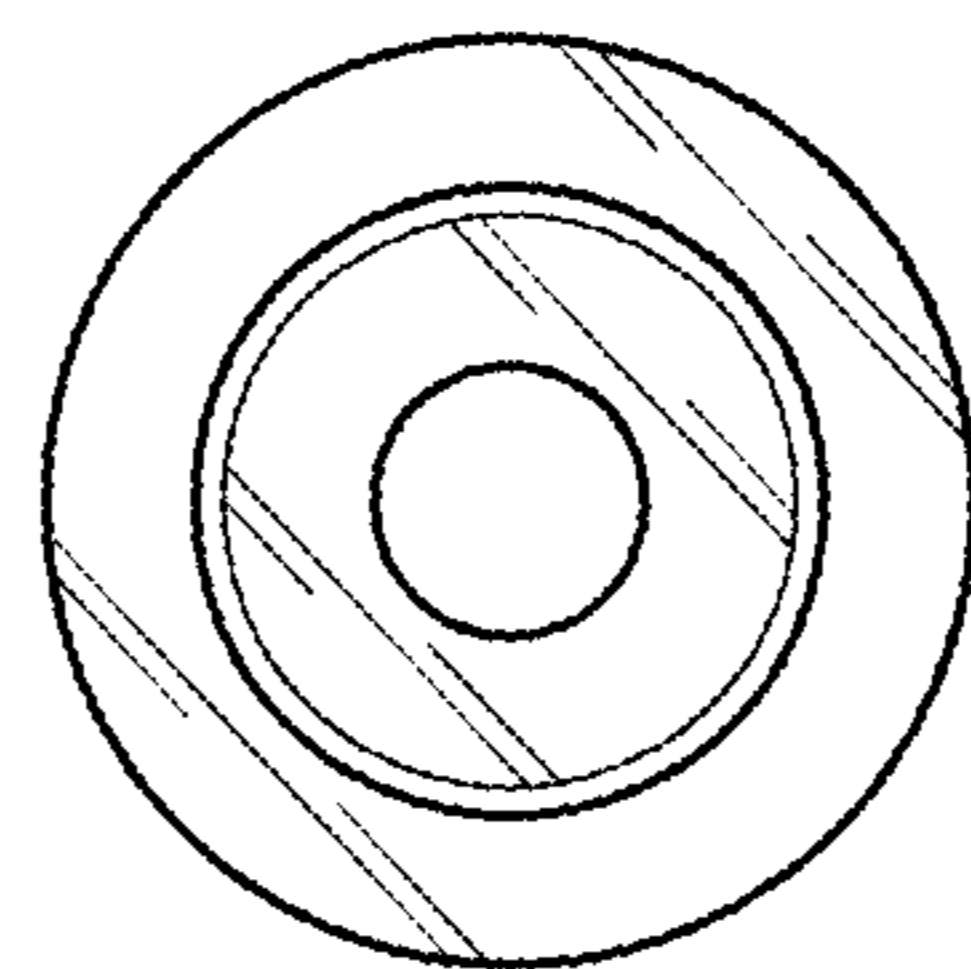
*FIG. 10*



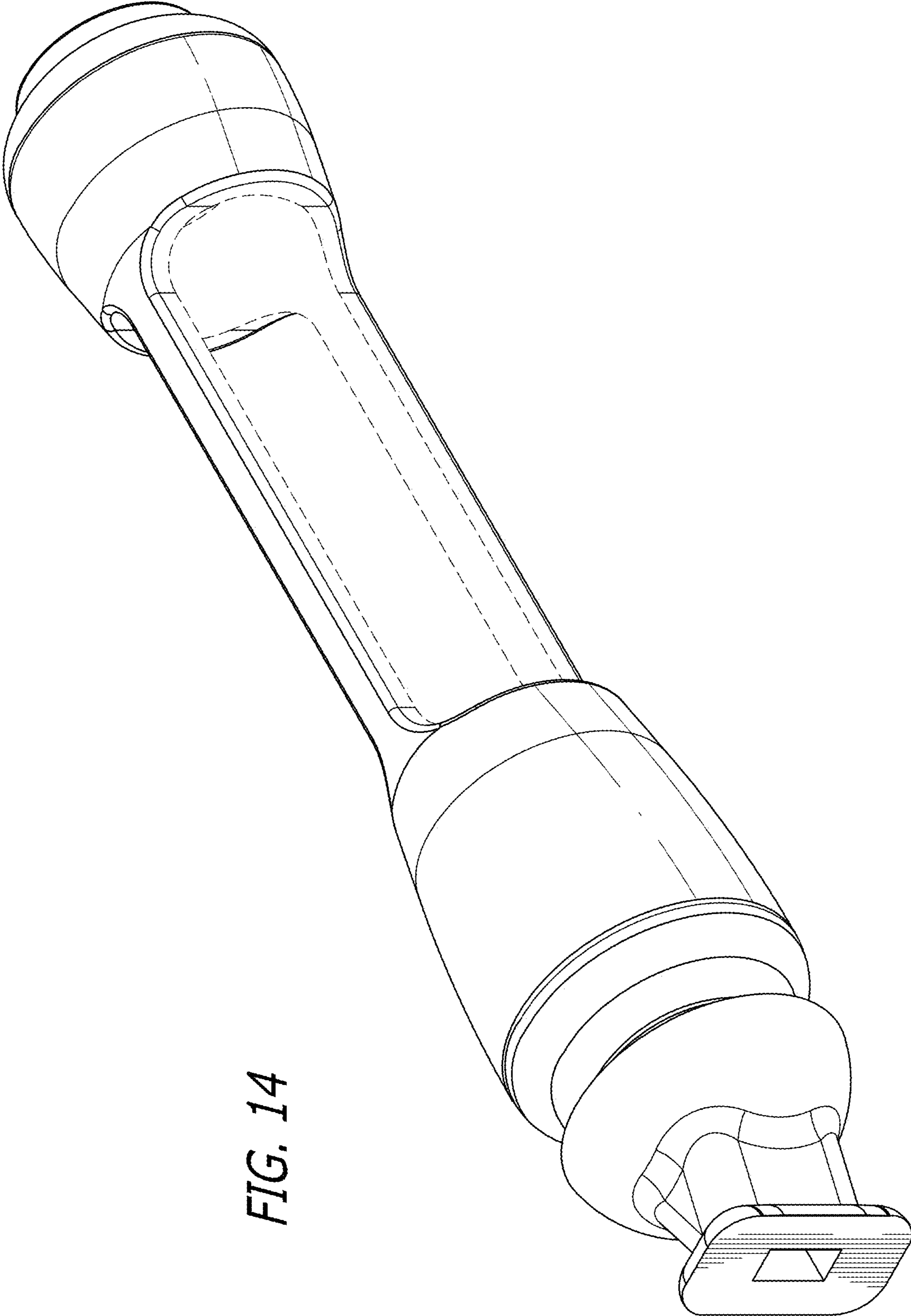
*FIG. 11*



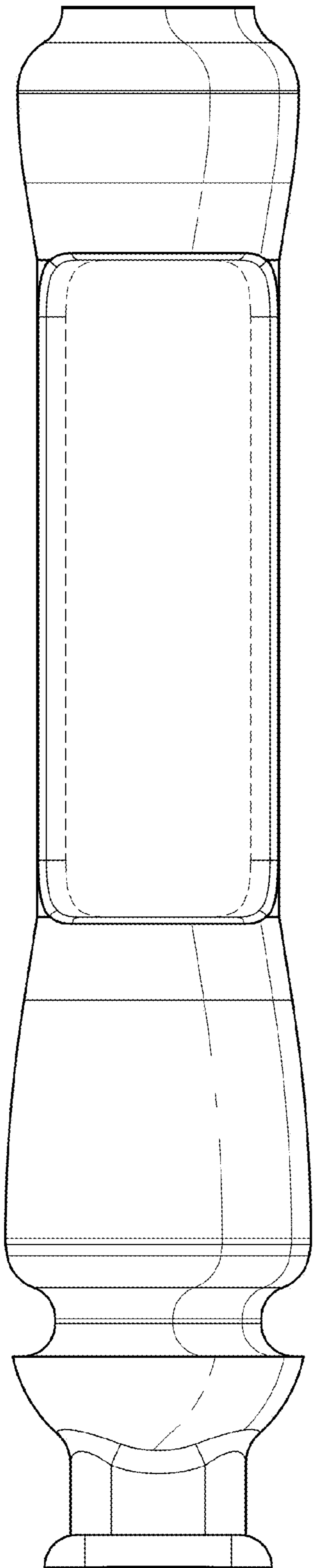
*FIG. 13*



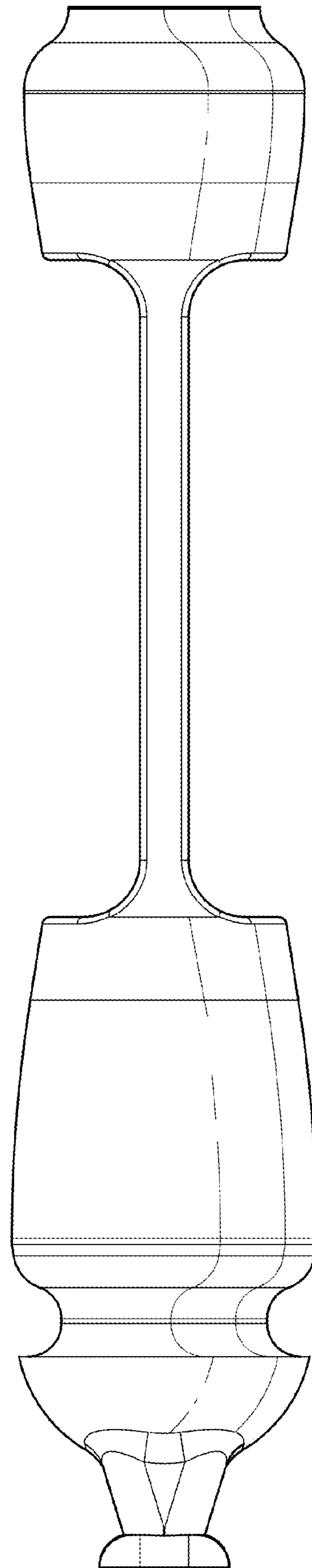
*FIG. 12*



*FIG. 14*



*FIG. 15*



*FIG. 16*

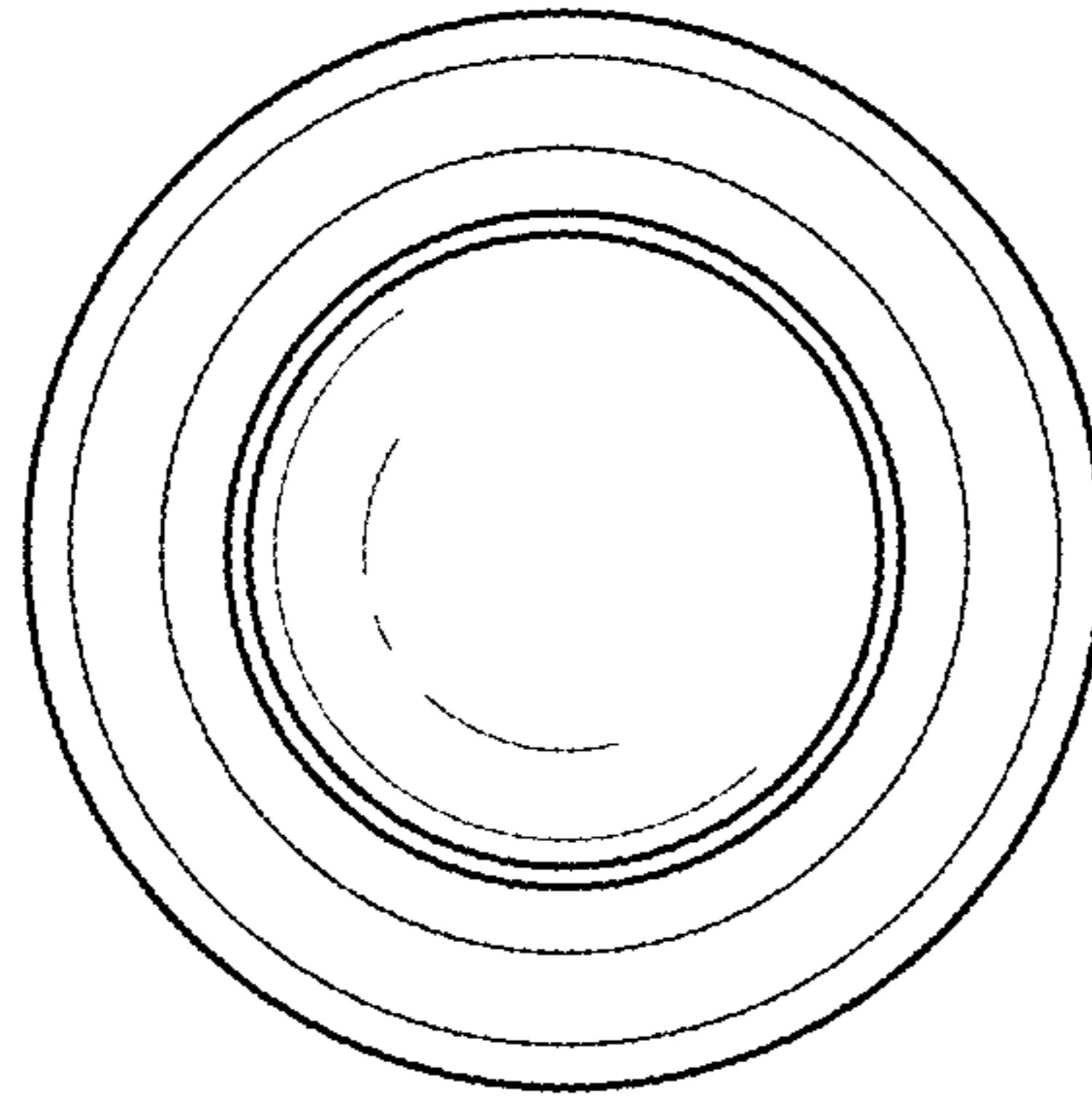


FIG. 18

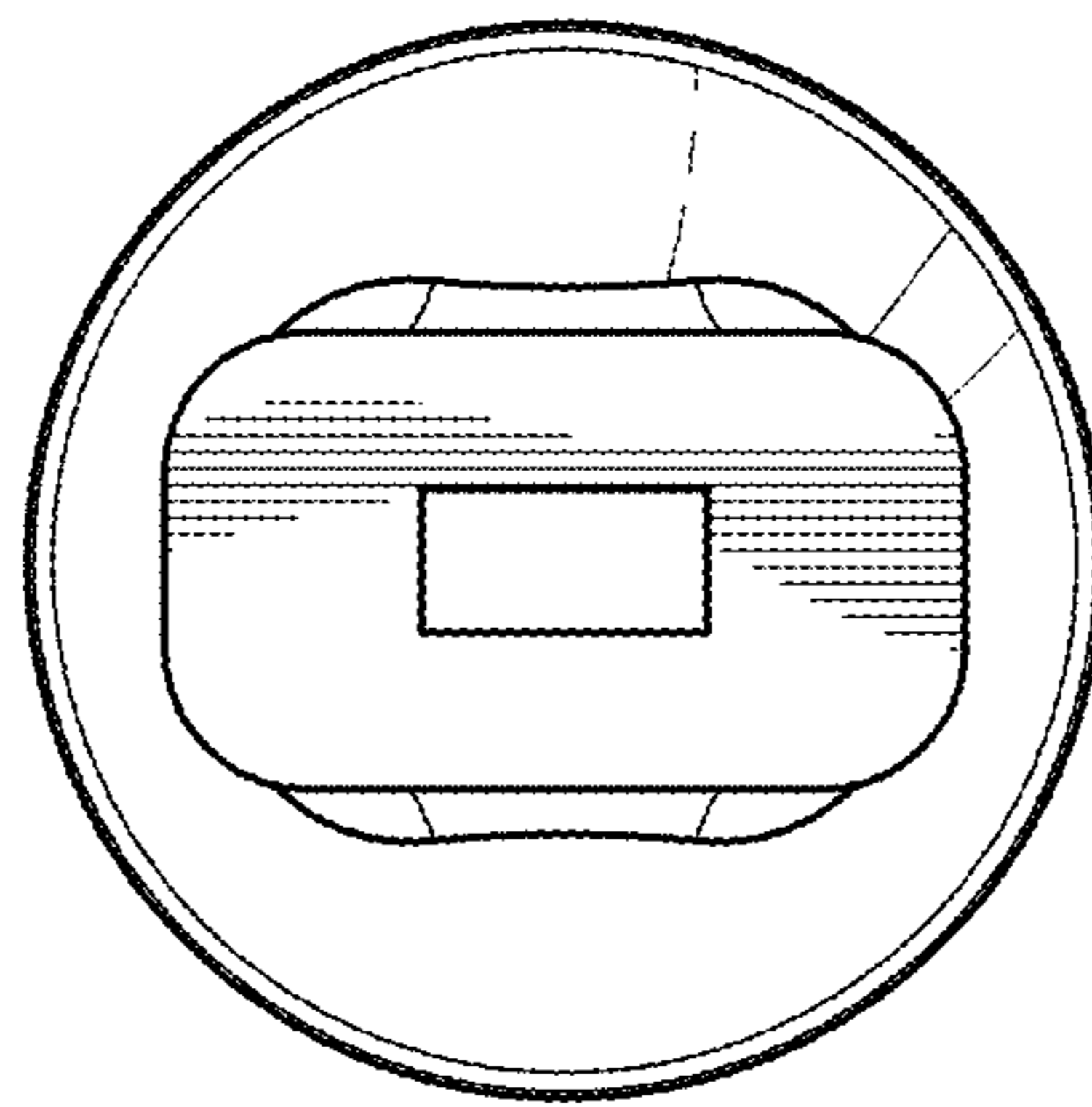


FIG. 17