



US00D940383S

(12) **United States Design Patent** (10) **Patent No.:** **US D940,383 S**
Gomez (45) **Date of Patent:** **** Jan. 4, 2022**

(54) **ASHTRAY**

(71) Applicant: **Premium Imports, Inc.**, Coral Gables, FL (US)

(72) Inventor: **Adelio Gomez**, Coral Gables, FL (US)

(73) Assignee: **PREMIUM IMPORTS, INC.**, Coral Gables, FL (US)

(**) Term: **15 Years**

(21) Appl. No.: **29/760,850**

(22) Filed: **Dec. 4, 2020**

(51) **LOC (13) Cl.** **27-03**

(52) **U.S. Cl.**
USPC **D27/134**

(58) **Field of Classification Search**
USPC D27/135, 102, 125, 128, 133-134, 138,
D27/172, 183; D7/584, 583, 587
CPC A24F 19/00; A24F 19/0035; A24F 19/10;
A24F 19/0014; A24F 15/08; A24F 15/00;
A24F 15/02
See application file for complete search history.

(56) **References Cited**

U.S. PATENT DOCUMENTS

D142,425 S *	9/1945	Klyce	D27/134
D300,672 S *	4/1989	Seymour	D27/102
D388,901 S *	1/1998	Stiller	D27/102
D402,399 S *	12/1998	Fowler	D27/135
D453,051 S *	1/2002	Hsu	D27/134
D453,052 S *	1/2002	Hsu	D27/135
D453,236 S *	1/2002	Hsu	D27/134
D462,803 S *	9/2002	Meoli	D27/135
D541,110 S *	4/2007	Wasserman	D7/584
D780,992 S *	3/2017	Lozier	D27/103
D881,452 S *	4/2020	He	D27/135
D911,598 S *	2/2021	Pischetsrieder	D27/135

OTHER PUBLICATIONS

Triangular Cigar Ashtray By: Prestige Import Group found on Amazon Oct. 26, 2021 <https://www.amazon.com/Prestige-Group-Triangular-Lacquer-Ashtray/dp/B00OZC19XQ/ref=sr> Sep. 17, 2018.*
Glass Ashtray Triangle Clear Crystal By: YXQ found on Amazon Oct. 26, 2021 https://www.amazon.com/YXQ-Triangle-Cigarettes-Collectible-Decoration/dp/B01LCPRRHK/ref=sr_1/15/2019.*

* cited by examiner

Primary Examiner — Marissa J Cash

Assistant Examiner — Rebecca Tsehaye

(74) *Attorney, Agent, or Firm* — K&L Gates LLP

(57) **CLAIM**

The ornamental design for an ashtray, as shown and described herein.

DESCRIPTION

FIG. 1 illustrates a perspective view of an ashtray embodying the invention.

FIG. 2 illustrates a front view of the ashtray shown in FIG. 1.

FIG. 3 illustrates a rear view of the ashtray shown in FIG. 1.

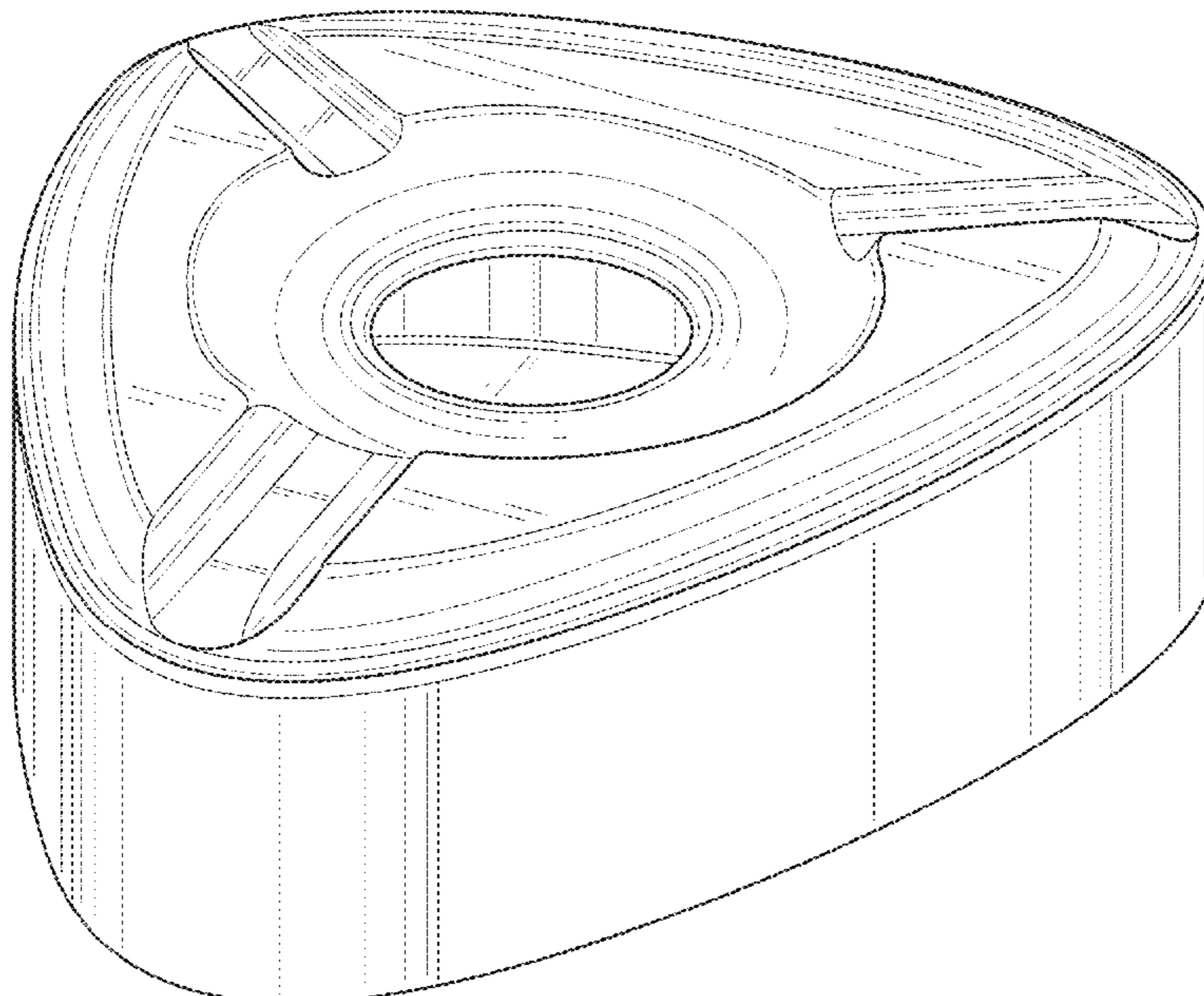
FIG. 4 illustrates a left side view of the ashtray shown in FIG. 1.

FIG. 5 illustrates a right side view of the ashtray shown in FIG. 1.

FIG. 6 illustrates a top view of the ashtray shown in FIG. 1; and,

FIG. 7 illustrates a bottom view of the ashtray shown in FIG. 1.

1 Claim, 5 Drawing Sheets



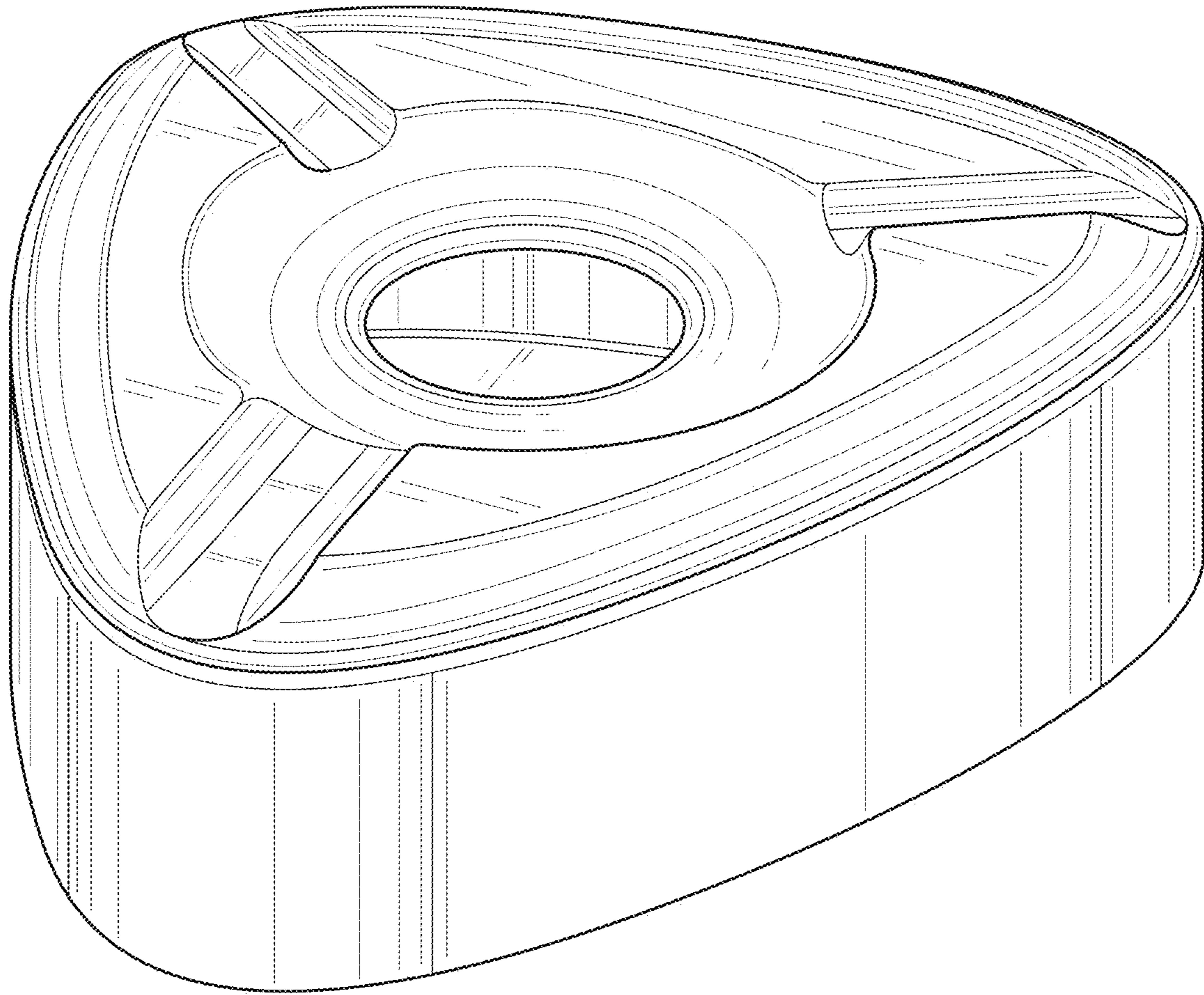


FIG. 1

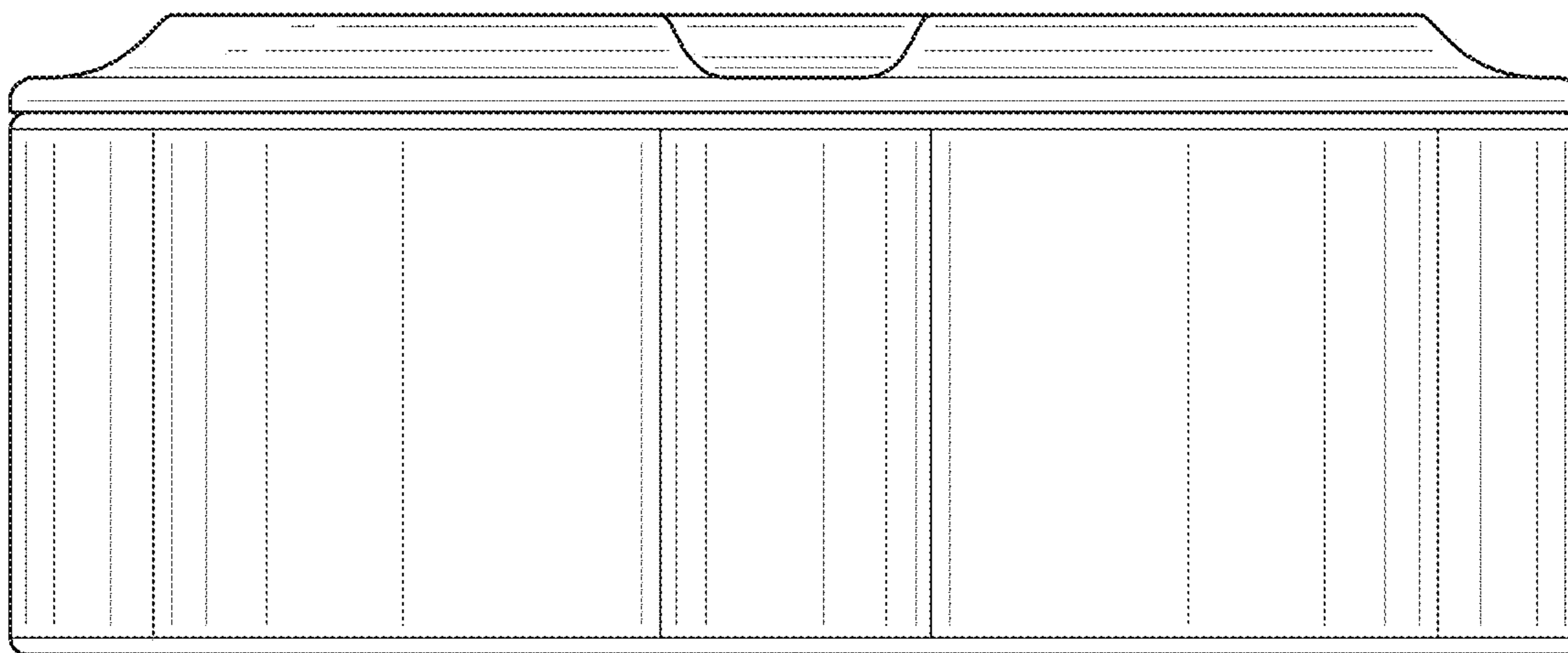


FIG. 2

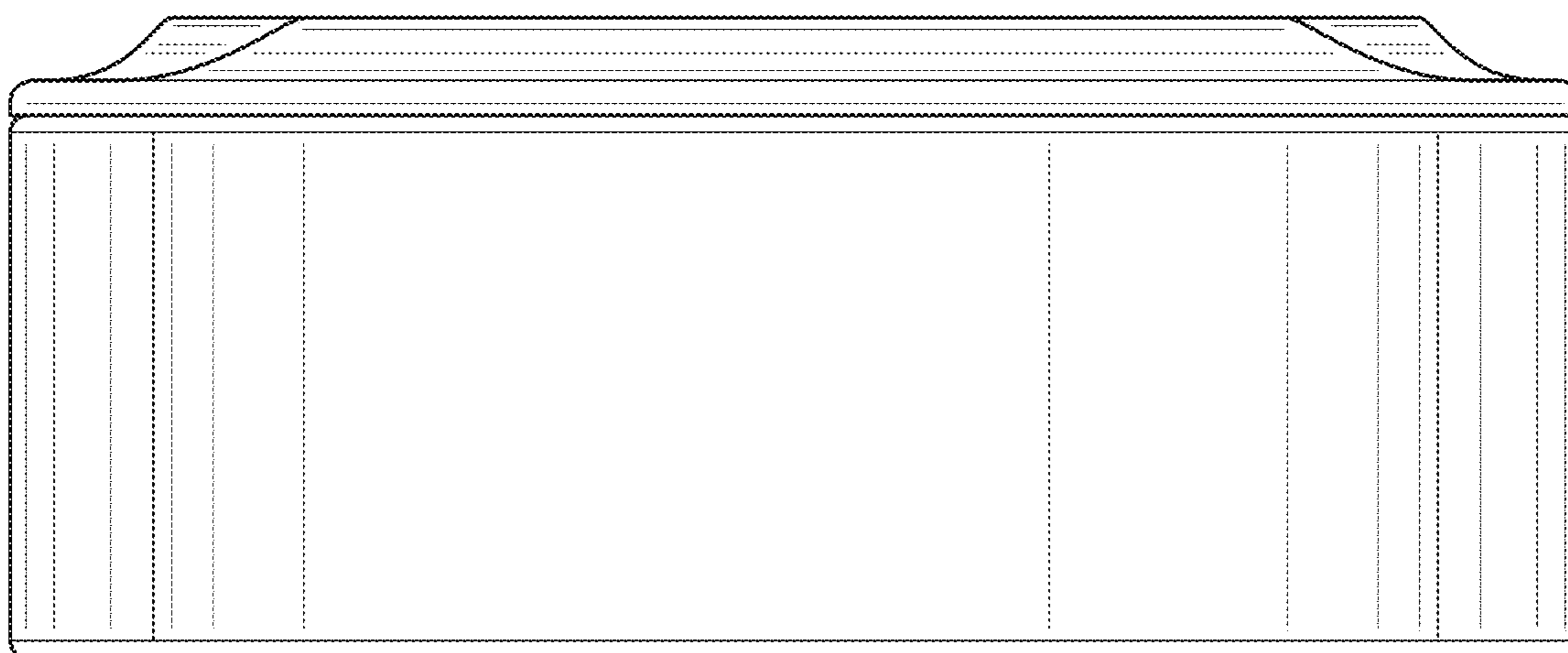


FIG. 3

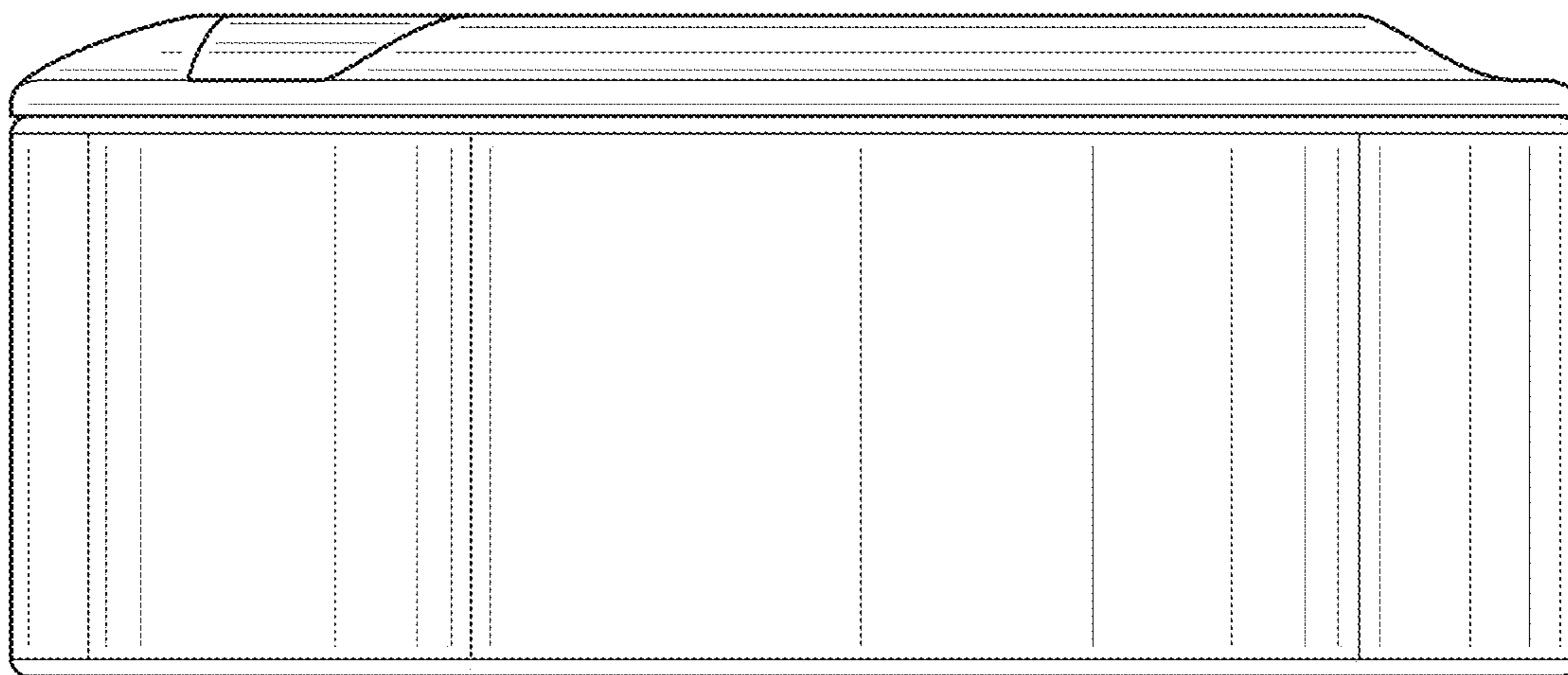


FIG. 4

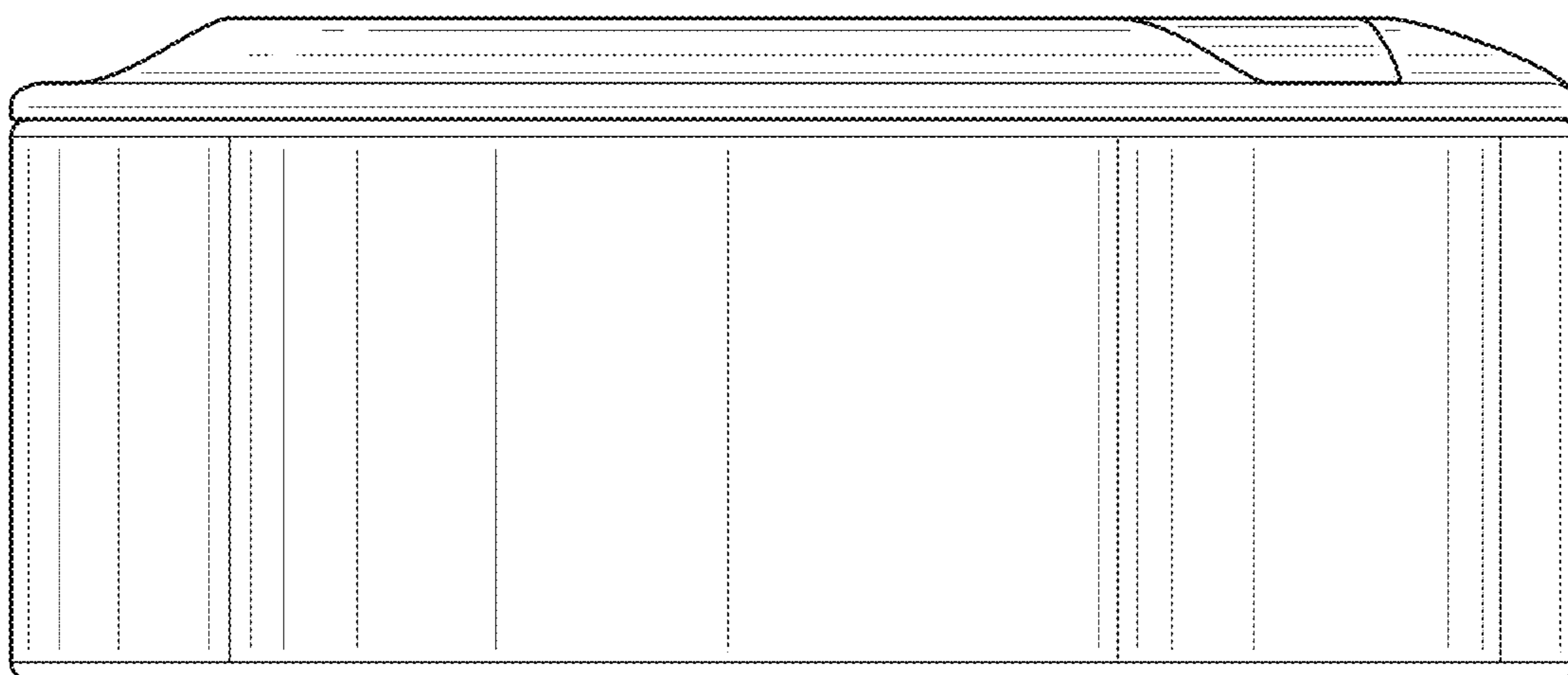


FIG. 5

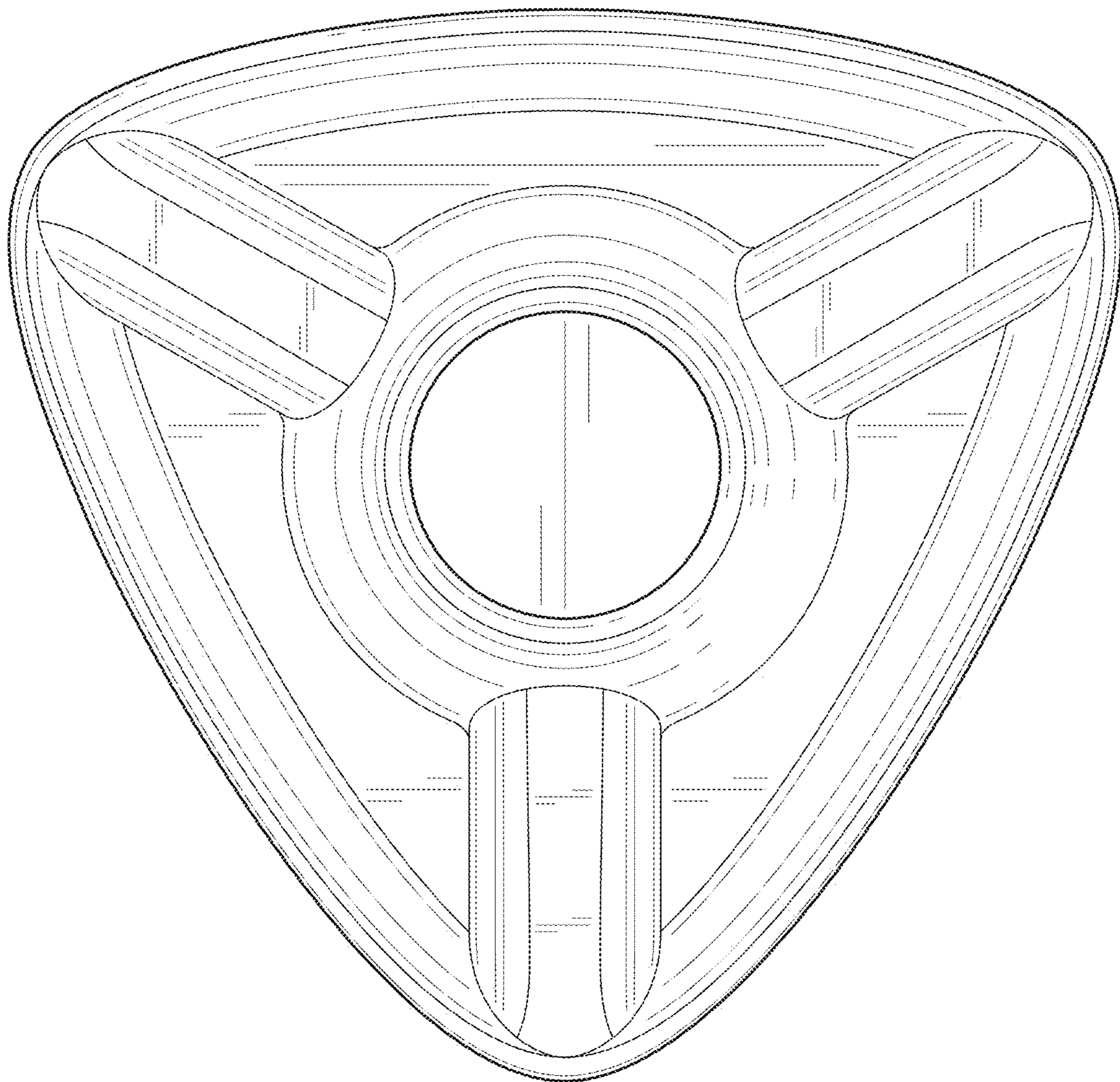


FIG. 6

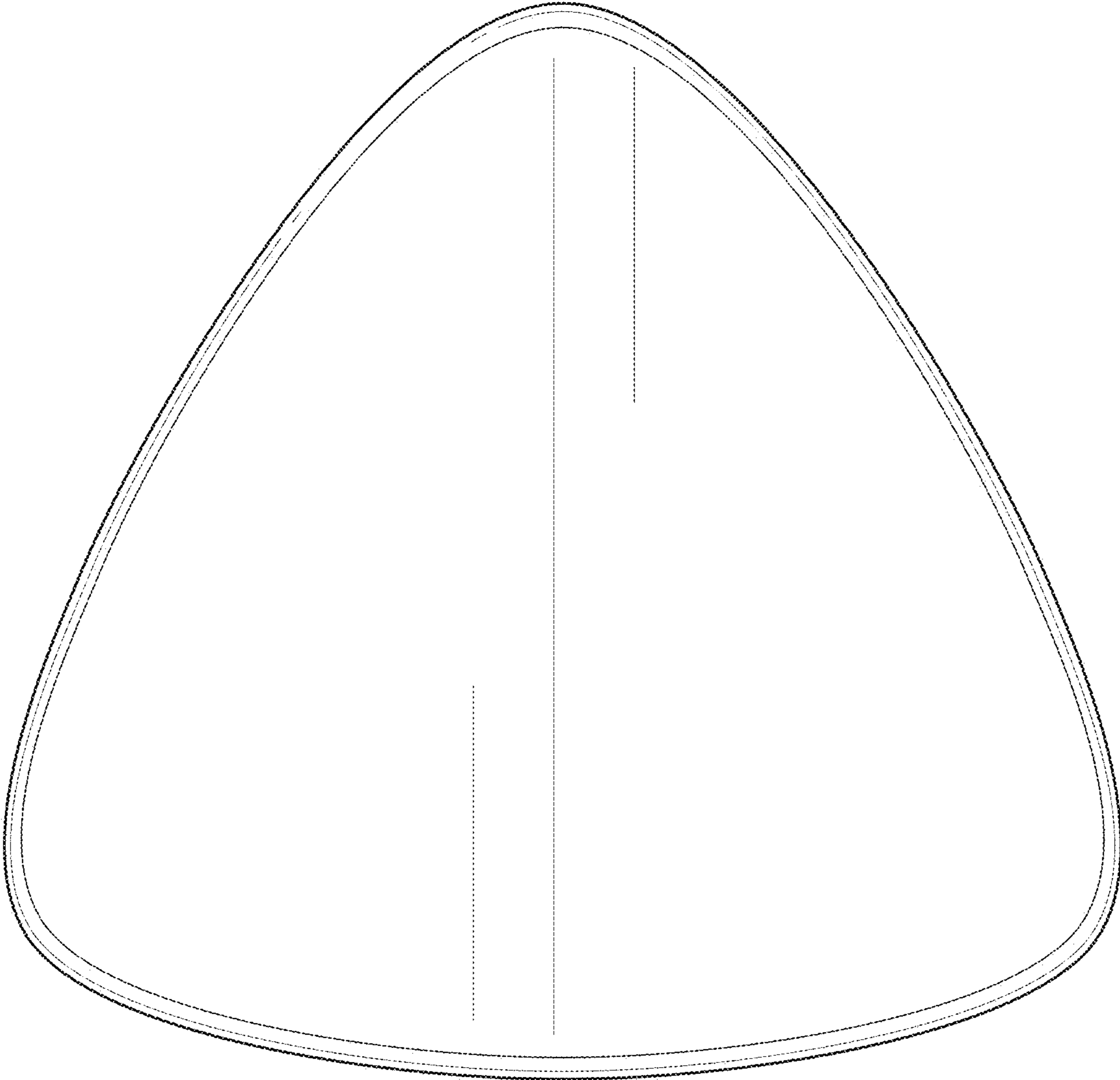


FIG. 7