



US00D940382S

(12) **United States Design Patent**
Koscove et al.

(10) **Patent No.:** **US D940,382 S**
(45) **Date of Patent:** **** Jan. 4, 2022**

(54) **HOLDER FOR SMALL PERSONAL ITEMS**

(71) Applicants: **Mike Koscove**, Colorado Springs, CO (US); **Richard Brown**, Colorado Springs, CO (US)

(72) Inventors: **Mike Koscove**, Colorado Springs, CO (US); **Richard Brown**, Colorado Springs, CO (US)

(**) Term: **15 Years**

(21) Appl. No.: **29/732,266**

(22) Filed: **Apr. 22, 2020**

(51) **LOC (13) Cl.** **27-03**

(52) **U.S. Cl.**
USPC **D27/125**; D27/172; D27/194

(58) **Field of Classification Search**
USPC D27/100, 101, 102, 103, 106, 108, 109, D27/110, 111, 117, 120, 125, 126, 127, D27/128, 129, 139, 141, 142, 143, 144, D27/147, 148, 154, 162, 163, 164, 165, D27/166, 167, 168, 169, 170, 171, 172, D27/173, 174, 175, 176, 177, 178, 179, D27/180, 181, 182, 183, 184, 185, 186, D27/187, 188, 189, 190, 191, 192, 193, D27/194, 196; D24/110, 110.4, 110.5, D24/110.6, 113; D28/91.1, 73, 76, 77; D23/360, 362; D13/107, 108, 103, 119; D14/240; D9/737, 755, 458, 414, 759, D9/715, 739; D19/75, 77; D7/555, 590, D7/600.1, 632

CPC A24F 40/10; A24F 40/40; A24F 40/42; A24F 40/44; A24F 40/60; A24F 40/53; A24F 40/70; A24F 40/57; A24F 40/20; A24F 40/30; A24F 47/00; A24F 7/00; A24F 13/00; A24F 13/14; A24F 1/32; A24F 47/002; A24F 15/015; A24F 13/06; A24F 40/48; A24F 13/04; A24F 40/00; A24F 40/90; A24F 42/80; A24F 40/485; A24F 40/46; A24F 47/008; A24F 40/05; A24F 40/465; A24F 1/00; A24F 7/02;

A24F 9/16; A24F 40/50; A24F 40/65; A24F 40/51; A24F 40/95; A24F 40/49; A24F 42/60; A24F 1/02; A24F 2700/03; A24F 15/01; A24F 1/28; A24F 40/85; A24F 42/00; A24F 42/10; A24F 42/20; A24F 47/004; A24F 47/006; A24F 7/04

See application file for complete search history.

(56) **References Cited**

U.S. PATENT DOCUMENTS

D167,506 S *	8/1952	Eckenboy	D27/175
D203,731 S *	2/1966	Roden	D27/175
D207,981 S *	6/1967	Smith	D27/175
D260,689 S *	9/1981	Storms	D27/144
D324,141 S *	2/1992	Wu	D19/77
D342,094 S *	12/1993	Ancona	D19/73

(Continued)

Primary Examiner — Marissa J Cash

Assistant Examiner — William B Melliar

(74) *Attorney, Agent, or Firm* — Sheridan Ross P.C.

(57) **CLAIM**

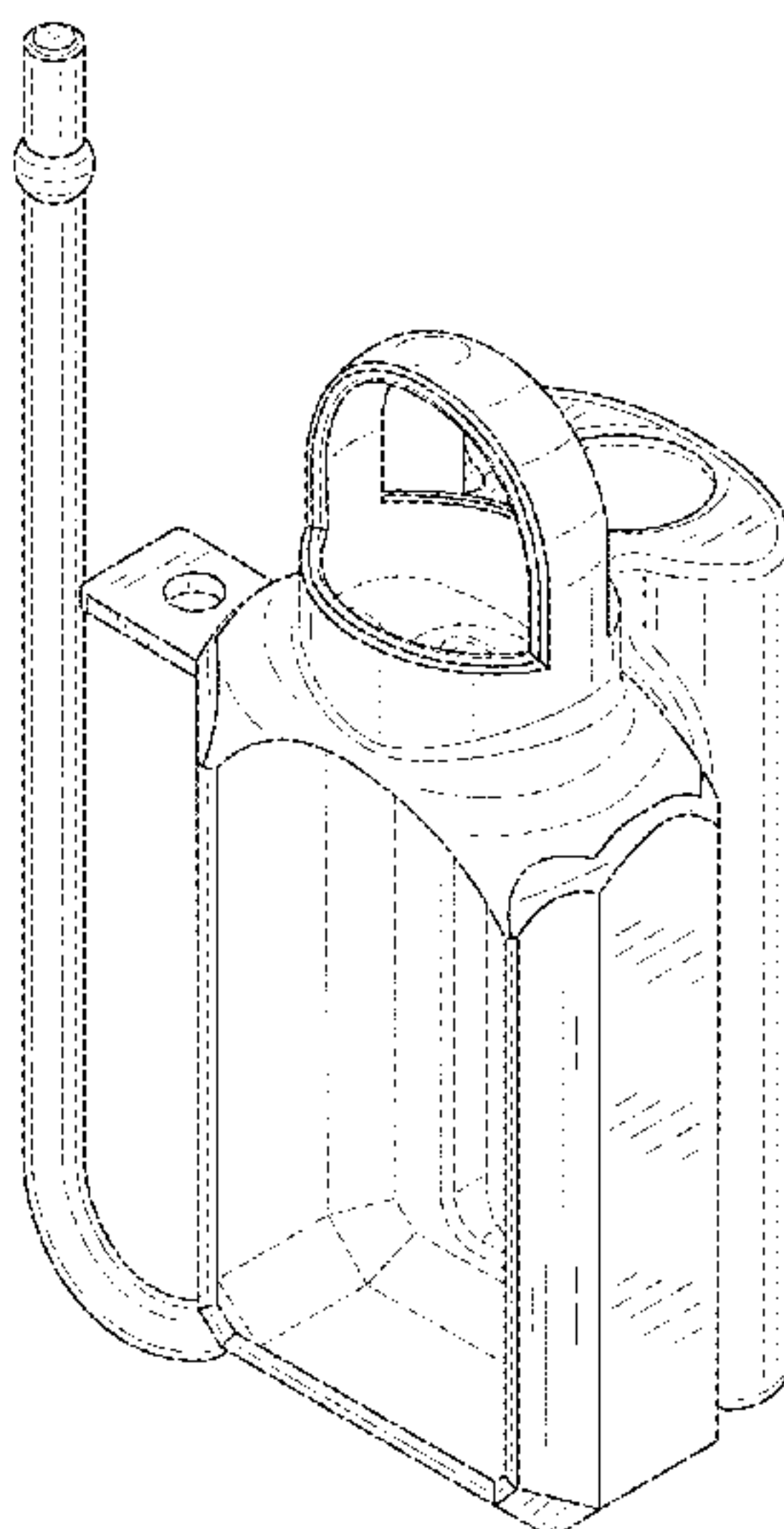
The ornamental design for a holder for small personal items, as shown and described.

DESCRIPTION

FIG. 1 is a top perspective view of a holder for small personal items showing our new design; FIG. 2 is a bottom perspective view thereof; FIG. 3 is a front view thereof; FIG. 4 is a back view thereof; FIG. 5 is a left elevation view thereof; FIG. 6 is a right elevation view thereof; FIG. 7 is a top view thereof; and, FIG. 8 is a bottom view thereof.

The broken lines shown in the drawings depict portions of the holder for small personal items that form no part of the claimed design.

1 Claim, 7 Drawing Sheets



(56)

References Cited

U.S. PATENT DOCUMENTS

5,564,442 A * 10/1996 MacDonald A24F 40/40
131/194
D416,025 S * 11/1999 Luminosu D14/240
D485,060 S * 1/2004 DeCotis D3/215
D586,953 S * 2/2009 Riggio D27/125
D617,495 S * 6/2010 LoRe D27/172
D636,119 S * 4/2011 Worlock D27/161
D648,891 S * 11/2011 Heger D27/161
D663,892 S * 7/2012 Arcos Bellvehi D27/172
D694,740 S * 12/2013 Apostolakis D14/240
D738,570 S * 9/2015 VanNostran D27/172
D809,126 S * 1/2018 White D24/110
D851,828 S * 6/2019 Bodenchuk D27/174
D863,668 S * 10/2019 Kurdzialek D27/144
D872,355 S * 1/2020 Powell D27/141
D889,403 S * 7/2020 Li D13/108
D889,410 S * 7/2020 Birkholz D13/119
D907,845 S * 1/2021 Collins D27/162
D923,869 S * 6/2021 Goradesky D27/172

* cited by examiner

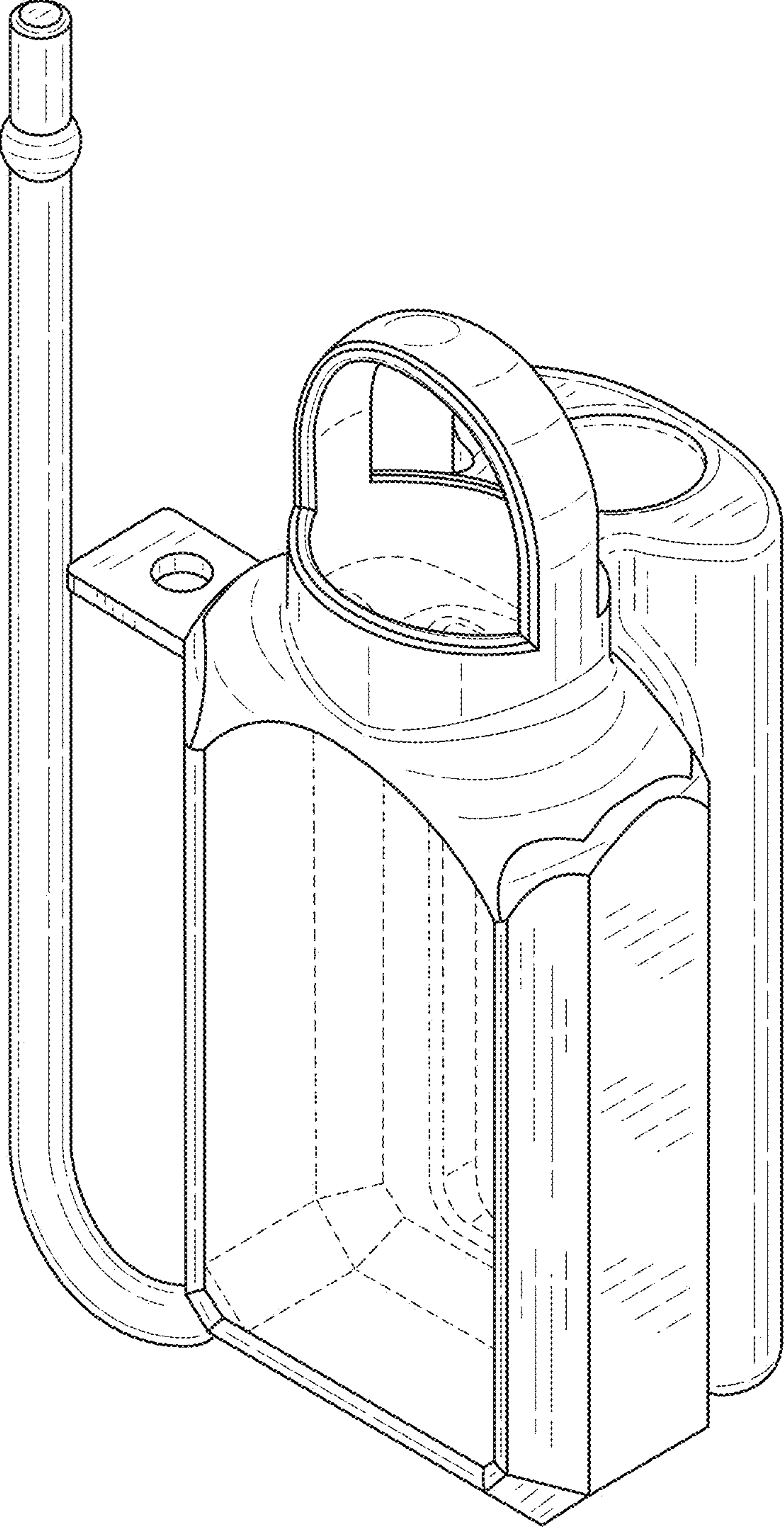


FIG. 1

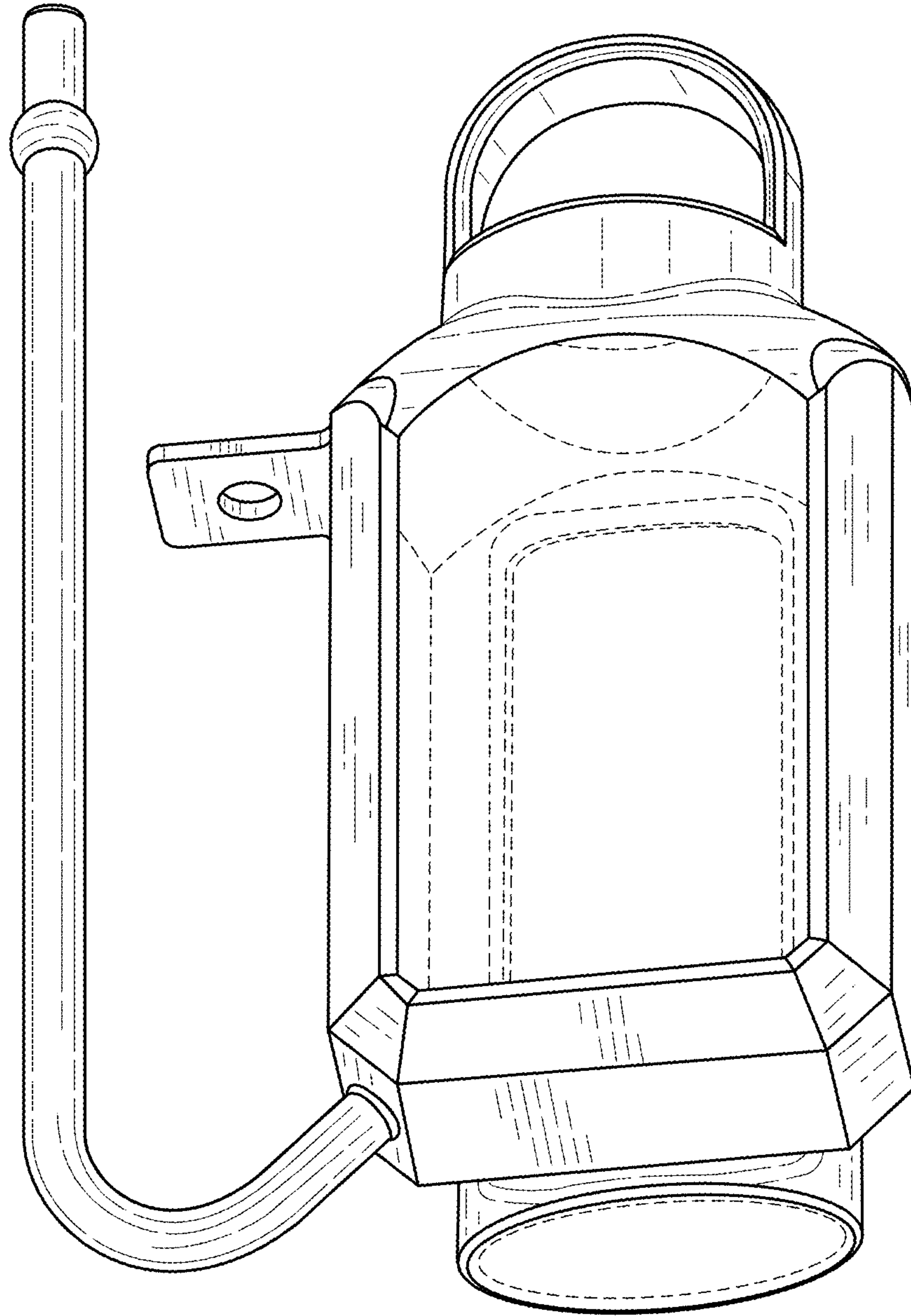


FIG.2

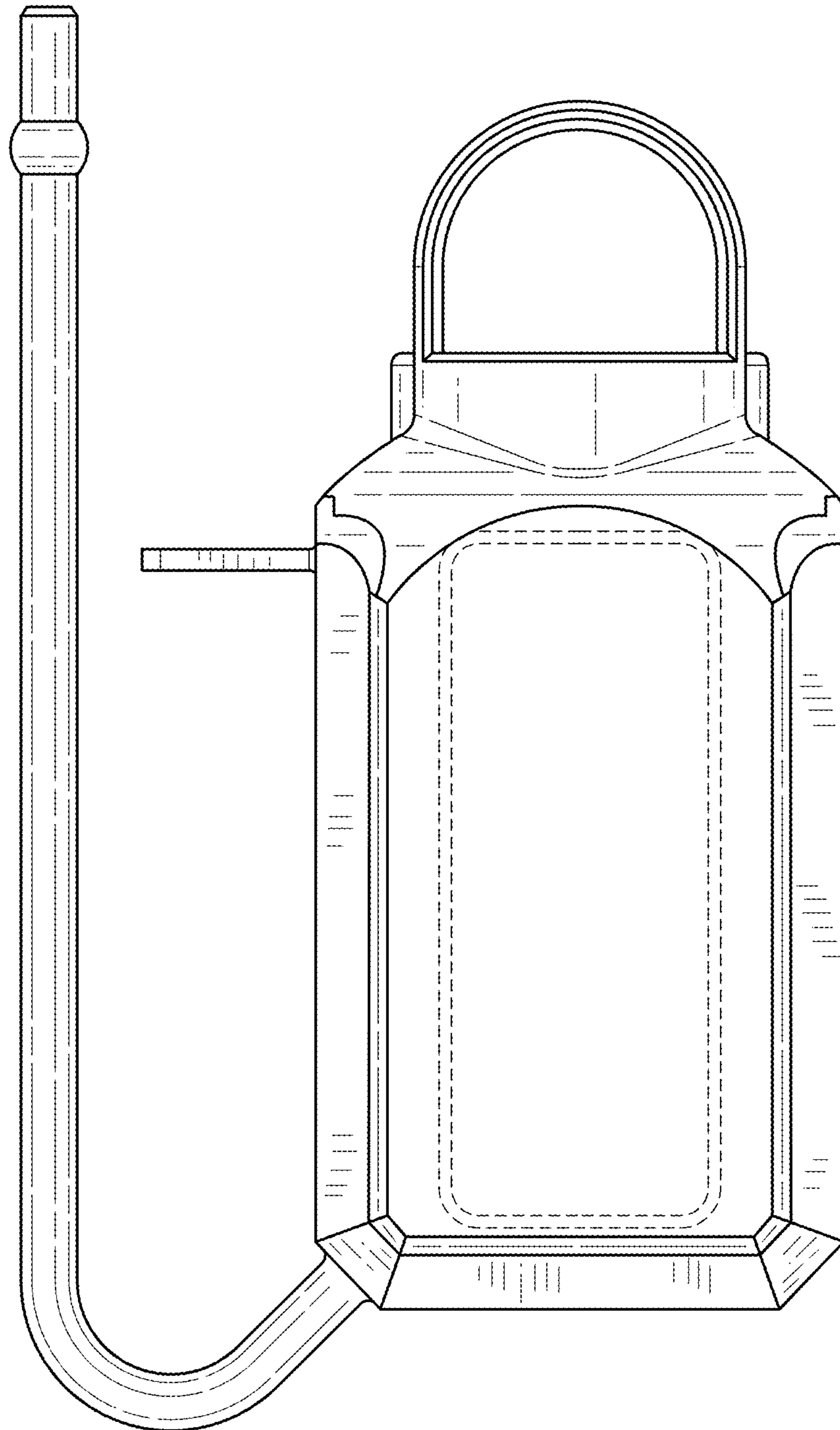


FIG.3

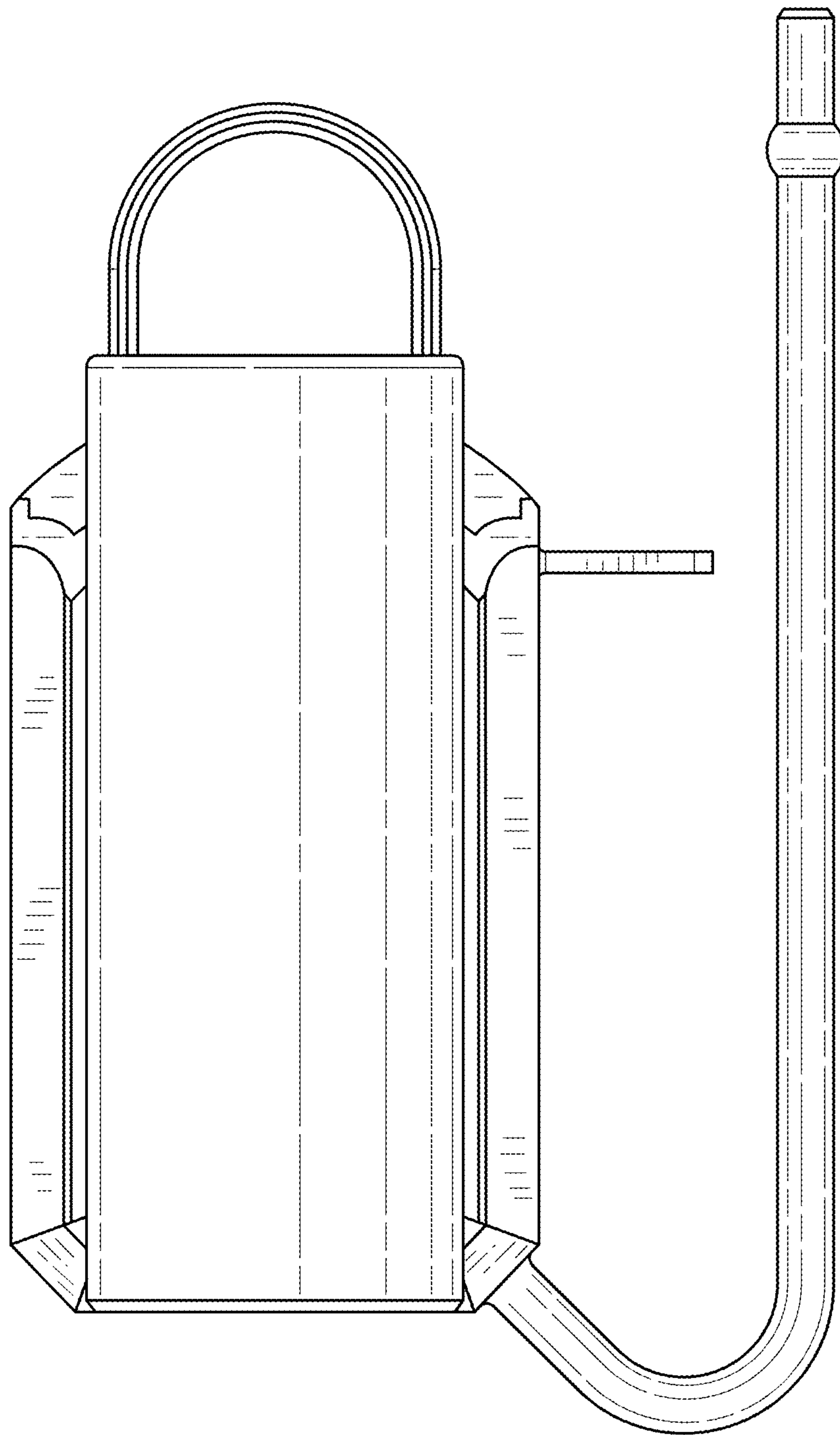


FIG.4

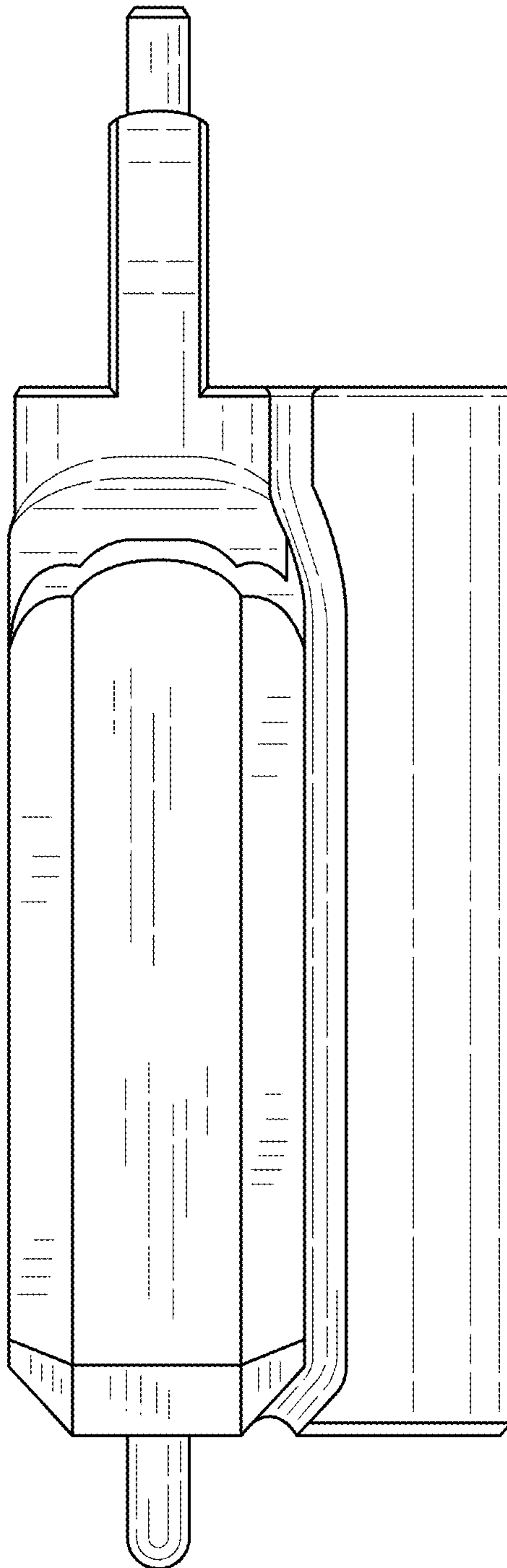


FIG.5

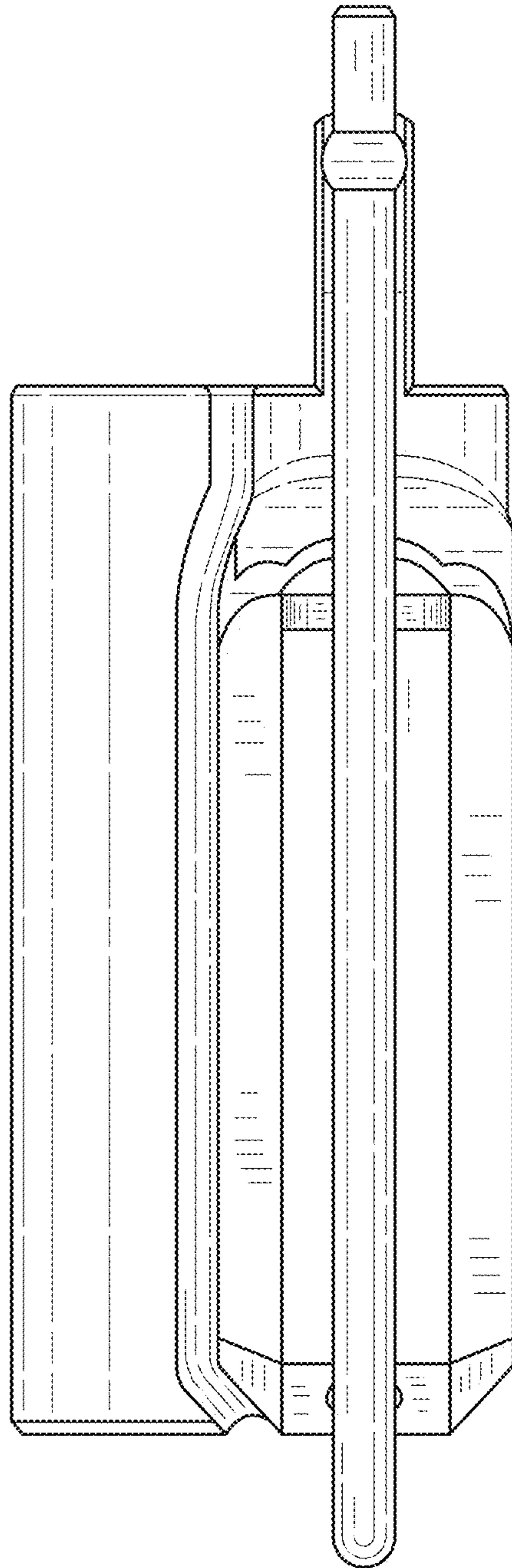


FIG.6

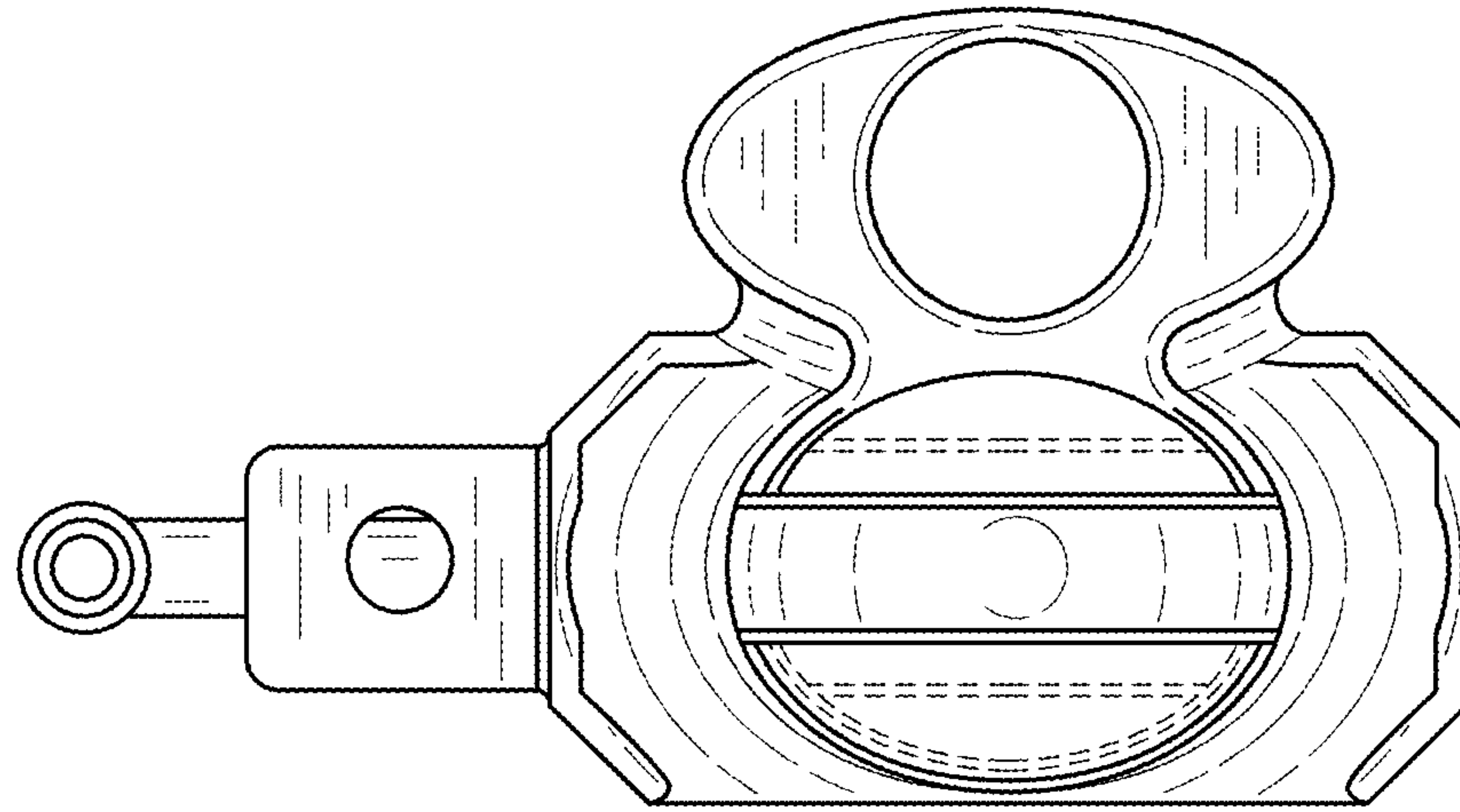


FIG. 7

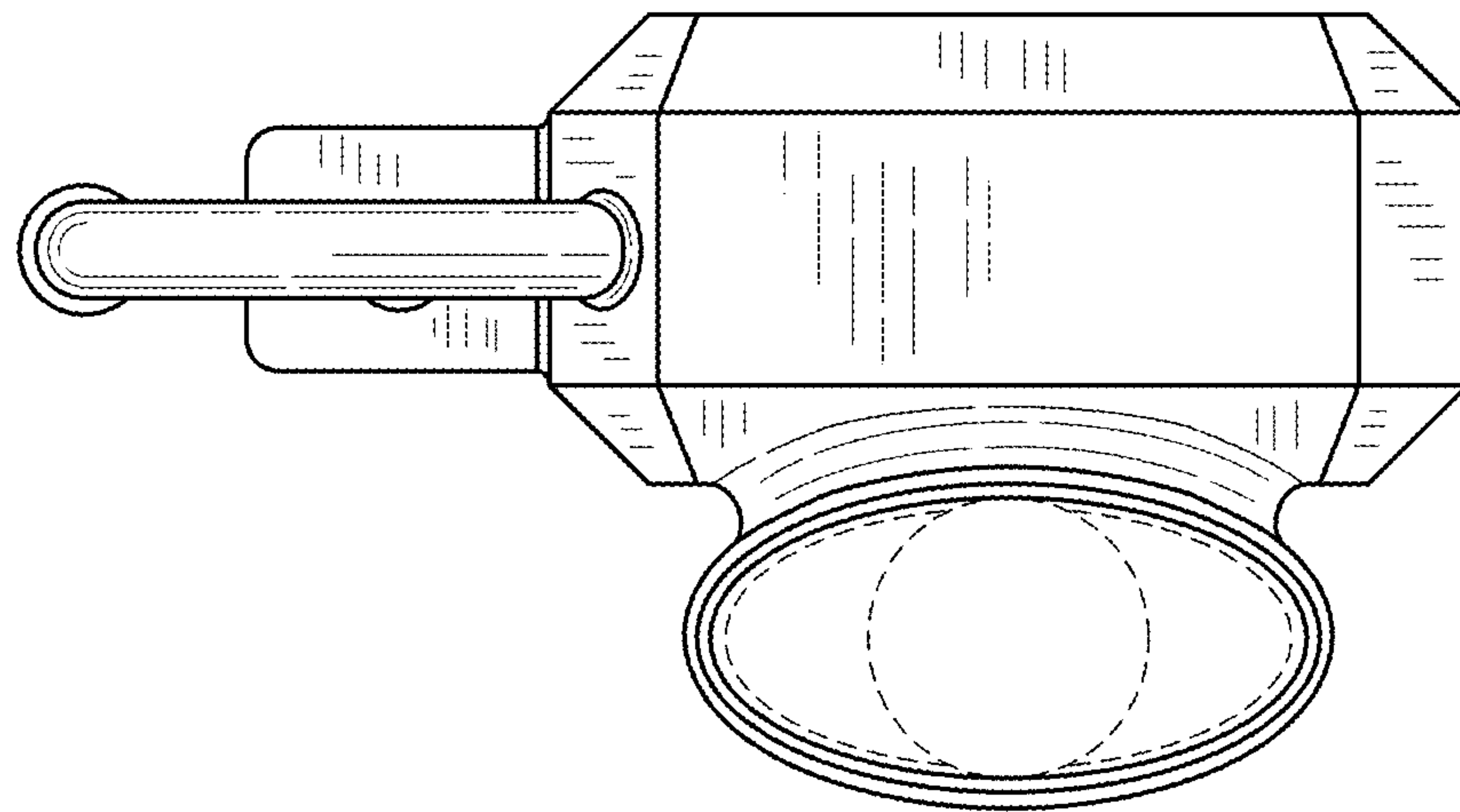


FIG. 8