



US00D940381S

(12) **United States Design Patent**
Reynolds

(10) **Patent No.:** **US D940,381 S**
(45) **Date of Patent:** **** Jan. 4, 2022**

(54) **LIGHT FIXTURE**

- (71) Applicant: **HGCI, Inc.**, Las Vegas, NV (US)
- (72) Inventor: **Christopher Reynolds**, Vancouver, WA (US)
- (73) Assignee: **HGCI, Inc.**, Las Vegas, NV (US)
- (**) Term: **15 Years**
- (21) Appl. No.: **29/672,634**
- (22) Filed: **Dec. 7, 2018**

Related U.S. Application Data

- (63) Continuation of application No. 29/607,232, filed on Jun. 12, 2017, now Pat. No. Des. 837,442, which is a continuation of application No. 29/523,671, filed on Apr. 13, 2015, now Pat. No. Des. 756,026, and a continuation of application No. 29/516,347, filed on Jan. 30, 2015, now Pat. No. Des. 793,616, which is a continuation of application No. 29/502,094, filed on Sep. 11, 2014, now Pat. No. Des. 732,236.
- (51) **LOC (13) Cl.** **26-05**
- (52) **U.S. Cl.**
USPC **D26/118; D26/76**
- (58) **Field of Classification Search**
USPC D26/72, 74, 85, 86, 88, 89, 91, 118, 119, D26/122, 131, 133, 134, 76
CPC .. F21S 8/006; F21S 8/04; F21V 29/60; F21V 29/70; F21V 29/83; F21V 29/763; F21V 5/007; A01G 7/045
See application file for complete search history.

(56) **References Cited**

U.S. PATENT DOCUMENTS

- 32,722 A 7/1861 Schmidlin et al.
- 1,410,945 A 3/1922 Mayfield
- 1,547,026 A 7/1925 Canney

(Continued)

FOREIGN PATENT DOCUMENTS

- CA 2034710 A1 8/1991
- EP 325003 A1 7/1989

(Continued)

OTHER PUBLICATIONS

1000 Watt Galaxy Grow Amp Double Ended Grow Light Packages, image post date Jan. 30, 2014, sited visited Jul. 8, 2016, <<http://www.ehydroponics.com/100-watt-galaxy-grow-amp-double-ended-grow-light-package.html>>.

(Continued)

Primary Examiner — Llorelys Martinez

(74) *Attorney, Agent, or Firm* — Ulmer & Berne LLP

(57) **CLAIM**

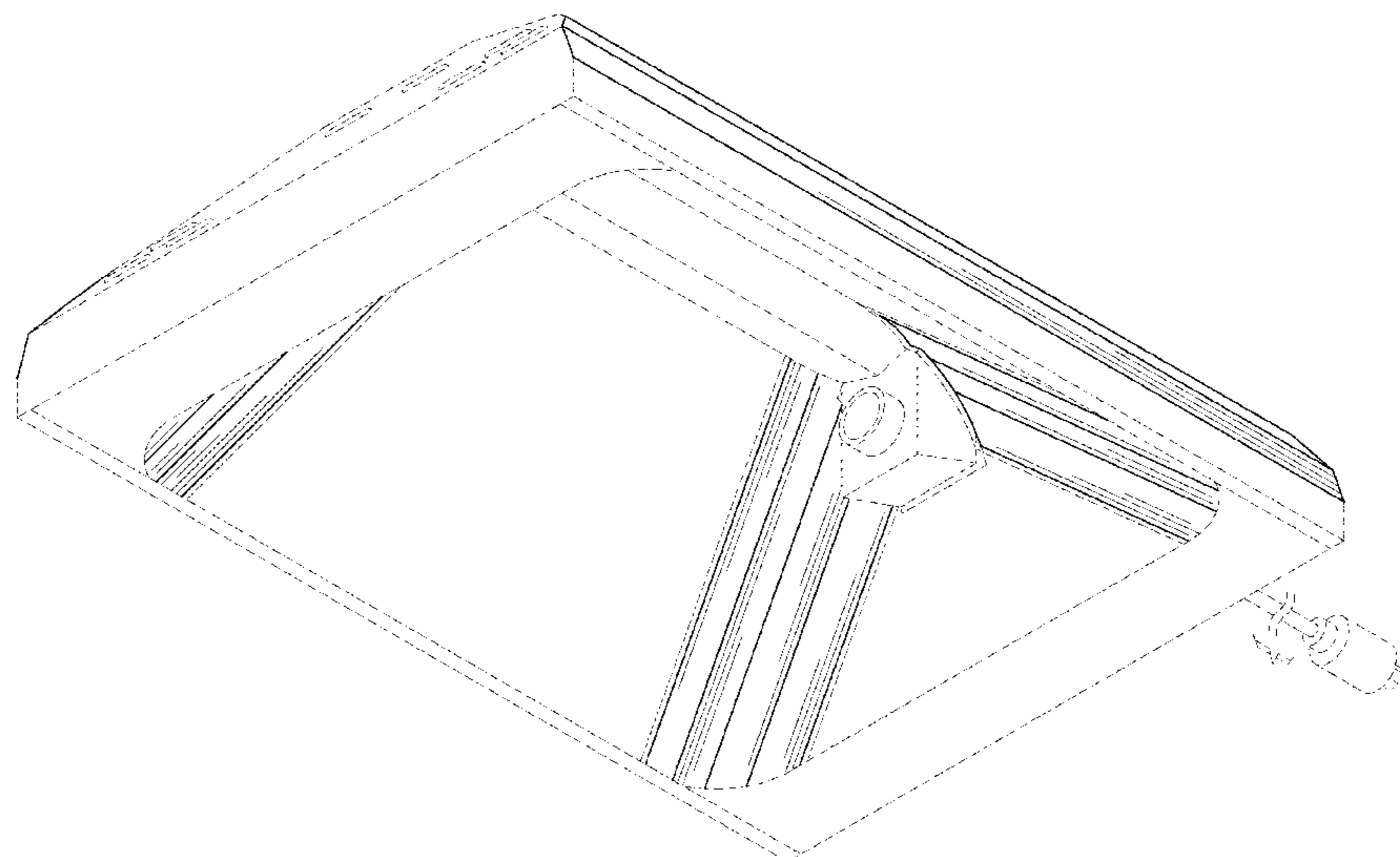
The ornamental design for a light fixture, as shown and described.

DESCRIPTION

FIG. 1 is a perspective view of a light fixture, as viewed from below, showing my new design;
 FIG. 2 is a perspective view of the light fixture shown in FIG. 1, as viewed from above;
 FIG. 3 is a left side view of the light fixture shown in FIG. 1;
 FIG. 4 is a right side view of the light fixture shown in FIG. 1;
 FIG. 5 is a front elevation view of the light fixture shown in FIG. 1;
 FIG. 6 is a rear elevation view of the light fixture shown in FIG. 1;
 FIG. 7 is a top plan view of the light fixture shown in FIG. 1; and,
 FIG. 8 is a bottom plan view of the light fixture shown in FIG. 1.

The broken lines in the drawings represent portions of the light fixture that form no part of the claimed design.

1 Claim, 6 Drawing Sheets



(56)

References Cited

U.S. PATENT DOCUMENTS

1,798,567 A	3/1931	Wagenhorst	6,024,468 A	2/2000	Kassay et al.
1,848,734 A	3/1932	Luce	6,042,250 A	3/2000	Stragnola
1,873,310 A	8/1932	Doane	6,051,927 A	4/2000	Graser et al.
1,930,070 A	10/1933	Zecher	6,053,624 A	4/2000	Cronk
1,987,705 A	1/1935	Pedersen	6,061,690 A	5/2000	Nori et al.
2,194,841 A	3/1940	Welch	6,065,849 A	5/2000	Chen
2,242,590 A	5/1941	Moreau	6,070,173 A	5/2000	Huber et al.
2,339,100 A	1/1944	Netting	6,076,944 A	6/2000	Maranon
2,348,617 A	5/1944	Furedy	6,079,851 A	6/2000	Altman et al.
2,492,946 A	1/1950	Barber	6,094,919 A	8/2000	Bhatia
2,740,883 A	4/1956	Kruger	6,111,739 A	8/2000	Wu et al.
2,741,694 A	4/1956	Thomstad et al.	6,152,579 A	11/2000	Reed et al.
2,998,511 A	8/1961	Chan	D439,008 S	3/2001	Kim
3,025,391 A	3/1962	Golko	D440,289 S	4/2001	Olson et al.
3,125,301 A	3/1964	Stotter	6,210,025 B1	4/2001	Schmidt et al.
3,263,071 A	7/1966	Fabbri	6,230,497 B1	5/2001	Morris et al.
3,272,978 A	9/1966	Jackson	D443,198 S	6/2001	Snyder
3,322,946 A	5/1967	Cooper	D443,949 S	6/2001	Dimonte
3,420,995 A	1/1969	Dunckel	6,247,830 B1	6/2001	Winnett et al.
3,433,941 A	3/1969	Hall	D445,943 S	7/2001	Littman
3,675,008 A	7/1972	Hill	6,257,735 B1	7/2001	Baar
3,684,883 A	8/1972	Entwistle	6,267,483 B1	7/2001	Hembery
3,701,898 A	10/1972	McNamara, Jr.	D447,272 S *	8/2001	Smith D26/118
3,755,667 A	8/1973	Price	6,279,012 B1	8/2001	Sexton et al.
3,829,677 A	8/1974	De	6,299,327 B1	10/2001	Camarota
3,902,059 A	8/1975	McNamara	D452,559 S	12/2001	SCHnberger et al.
3,911,265 A	10/1975	Landrum	6,343,984 B1	2/2002	Langdon et al.
4,028,542 A	6/1977	McReynolds	6,371,630 B1	4/2002	Unger
D245,016 S	7/1977	Barr	D456,927 S	5/2002	Russello et al.
4,037,096 A	7/1977	Brendgord et al.	D456,928 S	5/2002	Russello et al.
4,078,169 A	3/1978	Delvin	D456,938 S *	5/2002	Wardenburg D26/118
4,175,360 A	11/1979	Mulvey	D457,450 S	5/2002	Lamond et al.
4,229,782 A	10/1980	Ruud et al.	D459,825 S	7/2002	Field
4,308,473 A	12/1981	Carnes	6,488,387 B2	12/2002	Wardenburg
4,308,573 A	12/1981	McNamara	D469,564 S	1/2003	Brok
D268,287 S	3/1983	Boschetti	6,527,422 B1	3/2003	Hutchison
D270,577 S	9/1983	DeVos et al.	6,548,948 B1	4/2003	Muessli
4,446,506 A	5/1984	Larson	6,601,972 B2	8/2003	Sei et al.
4,531,180 A	7/1985	Hernandez	6,658,652 B1	12/2003	Alexander et al.
4,616,293 A	10/1986	Baliozian	6,679,619 B2	1/2004	Saieva
4,669,033 A	5/1987	Lee	D486,593 S	2/2004	Griffin
4,855,884 A	8/1989	Richardson	6,688,759 B1	2/2004	Hadjimichael
4,893,221 A	1/1990	Friedman	6,709,131 B1	3/2004	Herst et al.
4,933,821 A	6/1990	Anderson	6,729,383 B1	5/2004	Cannell et al.
4,939,629 A	7/1990	Glanton et al.	6,783,263 B1	8/2004	Cronk
D311,597 S	10/1990	Poot	D496,121 S	9/2004	Santoro
4,970,428 A	11/1990	Hayakawa et al.	D499,504 S	12/2004	Meyer
4,980,809 A	12/1990	Baldwin et al.	D499,505 S	12/2004	Benensohn
5,006,752 A	4/1991	Eggink et al.	D504,343 S	4/2005	Ek
5,072,349 A	12/1991	Waniga	6,885,134 B2	4/2005	Kurashima et al.
5,088,015 A	2/1992	Baggio et al.	6,908,212 B2	6/2005	Schultz
5,192,129 A	3/1993	Figueroa	7,011,424 B1	3/2006	Poulson
5,199,784 A	4/1993	Hempleman	7,083,309 B2	8/2006	Chan et al.
5,253,152 A	10/1993	Yang et al.	7,101,060 B2	9/2006	Oppenheimer et al.
5,353,746 A	10/1994	Del Rosario	7,131,753 B1	11/2006	Edwards, Jr.
5,440,470 A	8/1995	Ly	7,156,539 B2	1/2007	Cronk
5,457,450 A	10/1995	Deese et al.	7,175,309 B2	2/2007	Craw et al.
5,461,554 A	10/1995	Leonetti et al.	D542,460 S	5/2007	Hargreaves
D365,159 S	12/1995	Tinen	D543,652 S	5/2007	Hargreaves
5,486,737 A	1/1996	Hrubowchak et al.	D543,654 S	5/2007	Hargreaves
5,510,676 A	4/1996	Cottaar et al.	D543,655 S	5/2007	Hargreaves
5,555,162 A	9/1996	Shemitz	7,213,948 B2	5/2007	Hein
5,568,680 A	10/1996	Parker	D544,130 S	6/2007	Hargreaves
5,570,947 A	11/1996	Felland	D544,136 S	6/2007	Hargreaves
5,621,267 A	4/1997	Shaffner et al.	D544,138 S	6/2007	Hargreaves
5,698,947 A	12/1997	Choi	D544,139 S	6/2007	Hargreaves
5,702,179 A	12/1997	Sidwell et al.	D544,626 S	6/2007	Hargreaves
5,816,694 A	10/1998	Ideker et al.	D544,980 S	6/2007	Hargreaves
5,896,004 A	4/1999	Feldman et al.	D544,981 S	6/2007	Hargreaves
5,924,789 A	7/1999	Thornton	D544,982 S	6/2007	Hargreaves
5,932,955 A	8/1999	Berger et al.	D544,983 S	6/2007	Hargreaves
5,938,317 A	8/1999	Thornton	D544,984 S	6/2007	Hargreaves
5,983,564 A	11/1999	Stragnola	D544,985 S	6/2007	Hargreaves
5,987,697 A	11/1999	Song et al.	D544,987 S	6/2007	Hargreaves
5,999,943 A	12/1999	Nori et al.	D544,994 S	6/2007	Hargreaves
			D544,995 S	6/2007	Hargreaves
			D545,460 S	6/2007	Mason, II
			D545,484 S	6/2007	Hargreaves
			D545,485 S	6/2007	Hargreaves

(56)

References Cited

U.S. PATENT DOCUMENTS

D545,990 S	7/2007	Hargreaves	D705,474 S	5/2014	Philips
D545,994 S	7/2007	Hargreaves	D705,974 S	5/2014	Blessitt et al.
D545,996 S	7/2007	Hargreaves	8,723,086 B2	5/2014	McMahan
D549,869 S	8/2007	Ward	D707,385 S	6/2014	Wardenburg et al.
7,296,914 B1	11/2007	Russello et al.	D708,390 S	7/2014	Roos et al.
7,360,927 B2	4/2008	Oka et al.	D710,528 S	8/2014	Wardenburg et al.
D569,024 S	5/2008	Redfern	8,801,235 B2	8/2014	Yurich
D572,858 S	7/2008	Santoro	D713,953 S	9/2014	Jepson
D595,894 S	7/2009	Verfuierth et al.	D714,988 S	10/2014	Park et al.
D602,625 S	10/2009	Santoro	D715,994 S	10/2014	Klus
D603,087 S	10/2009	Mo et al.	D716,995 S	11/2014	Zhu et al.
7,617,057 B2	11/2009	May et al.	D717,487 S	11/2014	Guzzini
D605,342 S	12/2009	Chung et al.	D717,636 S	11/2014	Stanley
D608,490 S	1/2010	Chung et al.	D720,488 S	12/2014	Toyohisa et al.
7,654,702 B1	2/2010	Ding et al.	D720,505 S	12/2014	Kersten
D613,900 S	4/2010	Hargreaves et al.	8,905,575 B2	12/2014	Durkee et al.
D614,801 S	4/2010	Collins et al.	D720,876 S	1/2015	Haverfield
7,722,228 B2	5/2010	Broer	D721,844 S	1/2015	Lay et al.
D617,028 S	6/2010	Verfuierth et al.	D722,654 S	2/2015	Martone
D620,190 S	7/2010	Chung et al.	D725,819 S	3/2015	Reynolds
D621,993 S	8/2010	Jong	8,967,821 B2	3/2015	Pickard
7,771,086 B2	8/2010	Goverde	8,992,047 B2	3/2015	Boxler et al.
D628,335 S	11/2010	Hyland	D726,359 S	4/2015	Grigore et al.
7,854,534 B2	12/2010	Liu	8,998,473 B1	4/2015	Anderson
D632,419 S	2/2011	Ng et al.	9,016,892 B1	4/2015	Scribante et al.
D633,247 S	2/2011	Kong et al.	D728,848 S	5/2015	Reyes
D633,640 S	3/2011	Wauters	D729,435 S	5/2015	Arndt et al.
D634,060 S	3/2011	Wardenburg	D730,556 S	5/2015	Toyohisa et al.
D634,240 S	3/2011	Junkeer	D731,103 S	6/2015	Wilke et al.
D634,468 S	3/2011	Hargreaves	D731,109 S	6/2015	Wardenburg et al.
D634,469 S	3/2011	Hargreaves	D731,701 S	6/2015	Hargreaves
D637,162 S	5/2011	Bridgman	D732,233 S	6/2015	Reynolds
D637,341 S	5/2011	Wardenburg	D732,234 S	6/2015	Rashidi Doust
D637,752 S	5/2011	Mekhtarian	D732,235 S	6/2015	Reynolds
D640,404 S	6/2011	Chipperfield	D732,236 S	6/2015	Reynolds
7,959,331 B2	6/2011	Ho	D733,347 S	6/2015	Dungan et al.
D641,100 S	7/2011	Li	D733,952 S	7/2015	Lay et al.
D644,185 S	8/2011	Hargreaves	D733,960 S	7/2015	Howe
8,018,630 B2	9/2011	Herloski	D734,534 S	7/2015	Howe
8,038,318 B2	10/2011	Plunk	D735,391 S	7/2015	Blessitt et al.
D648,652 S	11/2011	Hawkins	D735,401 S	7/2015	Clements
D649,685 S	11/2011	Trzesniowski	9,110,209 B2	8/2015	Blessitt et al.
D650,515 S	12/2011	Bradley, Jr. et al.	D738,031 S	9/2015	Martins et al.
D650,935 S	12/2011	Beghelli	D739,595 S	9/2015	Reynolds
8,113,696 B2	2/2012	Striebel et al.	9,127,826 B2	9/2015	Boyer et al.
D655,403 S	3/2012	Zakula et al.	D740,486 S	10/2015	Stanley
D657,748 S	4/2012	Hargreaves et al.	D740,996 S	10/2015	Tragatschnig
D660,252 S	5/2012	Hargreaves et al.	D745,993 S *	12/2015	Reynolds D26/118
D661,370 S	6/2012	Zock	D747,029 S	1/2016	Reynolds
D661,833 S	6/2012	Imajo et al.	D747,849 S	1/2016	Ingram
8,215,799 B2	7/2012	Vanden Eynden et al.	D747,923 S	1/2016	Cornu et al.
D667,584 S	9/2012	Beghelli	D748,319 S	1/2016	Johnson et al.
D668,370 S	10/2012	Guercio et al.	D748,320 S	1/2016	Johnson et al.
D671,259 S	11/2012	Chen	D748,847 S	2/2016	Johnson et al.
D672,908 S	12/2012	Wilcox et al.	D748,849 S	2/2016	Stanley
D672,911 S	12/2012	Mayfield, III et al.	D748,850 S	2/2016	Johnson et al.
8,334,640 B2	12/2012	Reed et al.	D749,773 S	2/2016	Waible
D675,369 S	1/2013	Michaud	D750,312 S	2/2016	Reynolds
8,348,481 B2	1/2013	Chang	D750,316 S *	2/2016	Reynolds D26/118
D675,772 S	2/2013	Tran et al.	D751,244 S	3/2016	Reynolds
D678,597 S	3/2013	Lehman et al.	D751,245 S	3/2016	Stanley
D678,599 S	3/2013	Boyer et al.	9,279,553 B1	3/2016	Scribante et al.
D679,848 S	4/2013	Pickard et al.	D753,654 S	4/2016	Eastwood et al.
D683,064 S	5/2013	Tuck	9,310,037 B2	4/2016	Cercone
8,505,224 B2	8/2013	Huang	D756,016 S	5/2016	Hargreaves
D689,238 S	9/2013	Halsey	D756,023 S	5/2016	Hoffer
D689,986 S	9/2013	Lord	D757,323 S	5/2016	Reynolds
D690,875 S	10/2013	McKenzie et al.	D757,326 S	5/2016	Reynolds
D697,663 S	1/2014	Speier et al.	D757,346 S	5/2016	Stanley
D698,074 S	1/2014	Hargreaves	9,366,947 B2	6/2016	Miyata
D698,075 S	1/2014	Klus	D762,320 S	7/2016	Reynolds
D698,986 S	2/2014	Reynolds	D765,306 S	8/2016	Wardenburg et al.
D698,987 S	2/2014	Stanley	D766,756 S	9/2016	Franc
D699,386 S	2/2014	Park et al.	D769,513 S	10/2016	Reynolds
D702,827 S	4/2014	Mase et al.	D770,079 S	10/2016	Stanley
			D770,082 S	10/2016	Reynolds
			D770,670 S	11/2016	Reynolds
			D770,671 S	11/2016	Reynolds
			D771,304 S	11/2016	Goltche

(56)

References Cited

U.S. PATENT DOCUMENTS

D773,107 S 11/2016 Stanley
 9,551,482 B2 1/2017 Seward et al.
 D780,971 S 3/2017 Santoro et al.
 D780,985 S 3/2017 Stanley
 D780,986 S 3/2017 Reynolds
 D786,490 S * 5/2017 Stanley D26/118
 D793,616 S * 8/2017 Reynolds D26/118
 D796,728 S * 9/2017 Reynolds D26/118
 10,006,619 B1 6/2018 Niemiec et al.
 D825,096 S * 8/2018 Reynolds D26/118
 D825,826 S * 8/2018 Stanley D26/118
 D825,827 S * 8/2018 Stanley D26/118
 D825,828 S * 8/2018 Reynolds D26/118
 D826,467 S * 8/2018 Reynolds D26/118
 D826,468 S * 8/2018 Stanley D26/118
 D826,469 S * 8/2018 Reynolds D26/118
 D837,442 S * 1/2019 Reynolds D26/118
 D839,471 S * 1/2019 Reynolds D26/118
 D842,532 S * 3/2019 Reynolds D26/118
 D843,049 S * 3/2019 Stanley D26/118
 D848,664 S * 5/2019 Reynolds D26/118
 D848,665 S * 5/2019 Stanley D26/118
 D851,804 S * 6/2019 Reynolds D26/76
 D851,814 S * 6/2019 Stanley D26/118
 D857,285 S * 8/2019 Reynolds D26/118
 D871,654 S * 12/2019 Reynolds D26/118
 D873,467 S * 1/2020 Reynolds D26/76
 D879,364 S * 3/2020 Stanley D26/118
 D879,365 S * 3/2020 Stanley D26/118
 D881,445 S * 4/2020 Reynolds D26/118
 D894,470 S * 8/2020 Reynolds D26/118
 D904,674 S * 12/2020 Reynolds D26/118
 D912,877 S * 3/2021 Reynolds D26/76
 D912,878 S * 3/2021 Reynolds D26/76
 2002/0073285 A1 6/2002 Butterworth
 2002/0141195 A1 10/2002 Peter
 2003/0031011 A1 2/2003 Miller et al.
 2003/0191783 A1 10/2003 Wolczko et al.
 2004/0240214 A1 12/2004 Whitlow et al.
 2005/0117333 A1 6/2005 Yoshida et al.
 2005/0160481 A1 7/2005 Todd et al.
 2005/0233691 A1 10/2005 Horton
 2006/0231081 A1 10/2006 Kirakosyan
 2006/0232984 A1 10/2006 Schuknecht et al.
 2006/0282457 A1 12/2006 Williams
 2007/0051321 A1 3/2007 Chang
 2007/0070633 A1 3/2007 Eynden
 2007/0228993 A1 10/2007 Stuer et al.
 2007/0246631 A1 10/2007 Brown et al.
 2007/0282806 A1 12/2007 Hoffman et al.
 2008/0059799 A1 3/2008 Scarlata
 2008/0117617 A1 5/2008 Hargreaves et al.
 2008/0130304 A1 6/2008 Rash et al.
 2008/0178957 A1 7/2008 Thomas et al.
 2008/0205030 A1 8/2008 Hargreaves
 2008/0205071 A1 8/2008 Townsley
 2008/0212326 A1 9/2008 Chon
 2008/0278950 A1 11/2008 Pickard et al.
 2009/0116250 A1 5/2009 Hargreaves et al.
 2009/0166250 A1 7/2009 Subramanian et al.
 2009/0262540 A1 10/2009 Hargreaves et al.
 2009/0276478 A1 11/2009 Soman et al.
 2009/0310373 A1 12/2009 Burkhauser
 2009/0316404 A1 12/2009 Mo et al.
 2009/0323335 A1 12/2009 Yang et al.
 2010/0214789 A1 8/2010 Hawkes et al.
 2010/0238661 A1 9/2010 Pfund et al.
 2010/0277908 A1 11/2010 Hu et al.
 2010/0277929 A1 11/2010 Hargreaves et al.
 2010/0295468 A1 11/2010 Pedersen et al.
 2010/0302768 A1 12/2010 Collins et al.
 2011/0169412 A1 7/2011 Yurich
 2011/0203096 A1 8/2011 Hargreaves
 2011/0259665 A1 10/2011 Morgan, III et al.
 2012/0051041 A1 3/2012 Edmond et al.

2012/0092859 A1 4/2012 Gregoris
 2012/0212883 A1 8/2012 Hargreaves et al.
 2012/0230035 A1 9/2012 Bradley, Jr. et al.
 2013/0077329 A1 3/2013 Hessling
 2013/0083539 A1 4/2013 Dimitriadis
 2013/0155685 A1 6/2013 Stanley
 2013/0242573 A1 9/2013 Petrsocki et al.
 2013/0250567 A1 9/2013 Edmond et al.
 2014/0378283 A1 12/2014 Qiu
 2015/0023022 A1 1/2015 Stanley
 2015/0098215 A1 4/2015 Torabifard et al.
 2015/0252993 A1 9/2015 Stanley
 2015/0260381 A1 9/2015 Yerfueth et al.
 2017/0016584 A1 1/2017 Snijkers
 2017/0205036 A1 7/2017 Sorensen et al.
 2017/0321852 A1 11/2017 Handsaker et al.
 2018/0195673 A1 7/2018 Goelz et al.

FOREIGN PATENT DOCUMENTS

WO 02063210 A2 8/2002
 WO 03060379 A2 7/2003
 WO 2008018000 A1 2/2008
 WO 2009096775 A2 8/2009
 WO 2011119451 A1 9/2011

OTHER PUBLICATIONS

2009-10-watt-light-set—TinEye, image post date May 23, 2012, site visited Jul. 8, 2016, <<https://www.tineye.com/search/2de39cf5117a031139a80ce555e2f30d0abd5216/>>.
 2013 Sunlight Supply Catalog, Issuu.com, published Aug. 1, 2013, online. Site visited Feb. 2, 2015. http://issuu.com/sunlightsupply/docs/2013_sunlightproductcatalog/49.
 800x600-8692-ht-sun 1-TinEye, image post date Dec. 3, 2015, site visited Aug. 2, 2018, (online), <https://www.tineye.com/search/2c125039531957caf52bec59966c41e983103937/?extension_ver=>>.
 A3V Reflector, Titaness Light Shop, www.titanesslightshop.com/products-page/reflectors/a3v-reflector, online. Site visited Jan. 14, 2015.
 Adjustable Reflector, image post date Apr. 23, 2012, site visited Sep. 23, 2015, http://web.archive.org/web/2012043260757/http://hydroponics-products.en.alibaba.com/product/519225678-213056444/adjustable_reflector_grow_light_hydroponics_greenhouse_horticulture_reflector_hood.html.
 Agrotech Magnum Reflector, image post date Feb. 5, 2012, site visited Oct. 31, 2014, www.hydroponics.net/i/136580.
 Air Cooled Grow Lights, greensteamhydroponics.com, published May 24, 2014, online. Site visited Nov. 16, 2016. <http://web.archive.org/web/20140524103407/http://www.greensteamhydroponics.com/aircooled-reflector-range-from-greenstream-hydroponics/prod_699.html>.
 Air Resistance: Distinguishing Between Laminar and Turbulent Flow, www.docstoc.com, Dec. 29, 2010, pp. 1-6.
 Apollo Horticulture GLRCTAC 6" Air Cool Tube Grow Light Deluxe Glass Cylinder with Hood Reflector, image post date Oct. 15, 2010, site visited Oct. 3, 2014, (online), <http://www.amazon.com/apollo-horticulture-glrectac-cylinder-reflector/dp/b003qkw04/ref=pd_sbs_lg_5?ie=utf8&refrid=1y9v9qhh4n5vntjmftr>.
 Apollo Horticulture GLRLS24 6" Air Cooled hydroponic Grow Light Glass Reflector Hood, image post date Oct. 15, 2010, site visited Oct. 3, 2014, (online), <http://www.amazon.com/apollo-horticulture-glrls24-hydroponic-reflector/jp/B00BMVK8HG/ref=cm_cd_ql_qh_dp_i>.
 California Lightworks New SolarStorm 440W Led Grow Light with UVB, hydrobuilder.com, online. Site visited Jun. 25, 2014. http://hydrobuilder.com/solarstorm-440w-led-grow-light-with-uvb.html?dzid=strands_CLW-SS-440.
 Cree CR22, image post date Apr. 28, 2011, site visited Nov. 15, 2014, <http://ledsmagazine.com/content/dam/leds/migrated/objects/news/8/4/19/cree204272011.jpg>.

(56)

References Cited

OTHER PUBLICATIONS

Dominator XXXL Non AC Reflector pack of 3 Spec Sheet, GreenTreesHydroponics.com, date available Mar. 12, 2014, online. Site visited Feb. 3, 2015, <https://www.hydroponics.net/i/141477>.

G2V Grow Light Reflector, Titaness Light Shop, www.titanesslightshop.com/products-page/reflectors/g2v-grow-light-reflector, online. Site visited Jan. 14, 2015.

Grow Lights Home Depot: Find many types of grow lights for your plant, published Dec. 22, 2012, online. Site visited Jun. 25, 2014. [Http://besthomedecorfurniture.com/gardening-décor/grow-lights-home-depot-few-things-to-consider-when-buying-grow-lighting-plants-online.html](http://besthomedecorfurniture.com/gardening-décor/grow-lights-home-depot-few-things-to-consider-when-buying-grow-lighting-plants-online.html).

Growlite HDE 600W-1000W Double Ended Lamp Concealed Vacuum Airflow Technology, Indoor Grow Science, site visited Aug. 3, 2016, <http://www.indoorgrowscience.net/downloads/specs/hde.pdf>.

Illuminator Pro-Series Hybrid 350W, wordpress.com, published Dec. 22, 2010, online, site visited Jun. 25, 2014. <http://growsetup.wordpress.com/category/grow-lights/>.

LEC 315 Watt Grow Light Great Yield Reports!, YouTube.com, published Mar. 31, 2014, online. Visited Nov. 8, 2016. <https://www.youtube.com/watch?v=QqcoW19KnUk>.

LED Grow Light Comparison Test Review, YouTube.com, published Jun. 29, 2012, online. Site visited Jun. 25, 2014. www.youtube.com/watch?v=f-8oy0qbgrs.

Low Rider Air-Cooled Reflector—TinEye, image post date Oct. 11, 2012, site visited Oct. 1, 2015, www.tineye.com/search/1b0e187c5ed9e4e9cfb55d0472271385a2c0e88/?pluginver.

OG Air Cooled Parabolic Reflector Only—Make the Most of Your Grow Light, GroWell Hydroponics, <http://www.growell.co.uk/og-air-cooled-parabolic-reflector-only.html>, pp. 1-2, accessed Aug. 26, 2014.

2014-2015 dealer catalog showing and describing Super Sun DE reflector published by Sunlight Supply, Inc., pp. 29 and 54, 2014. Square 10 Watt LED Grow Light, image post date Aug. 1, 2011, site visited Jul. 8, 2016, <http://www.dhgate.com/store/product/hydroponic-vegetable-10-watt-led-grow-light/216755031.html>.

Sun System 630 Ceramic Metal Halide 120v Specifications, GrowersHouse.com, update on Sep. 9, 2014, Online. Site visited Feb. 3, 2015. http://growershouse.com/aitdownloadablefiles/download/aitfile/aitfile_id/583/.

Sun System LEC 315 120v Light Emitting Ceramic Metal Halide Fixture w/ Free Ratchet Light Hangers, Amazon.com, earliest review of Jul. 2, 2014, online. Visited Nov. 8, 2016I <https://www.amazon.com/sun-system-emitting-ceramic-fixture/dp/B00HBCV8TM>.

Sun Systems LEC 315—Reviews?, rollitup.com forum, published Oct. 23, 2013, online. Visited Nov. 8, 2016. <http://rollitup.org/t/sun-sytems-lec-315-reviews.742794>.

Sun Systems LEC 630 Light Emitting Ceramic Fixture, Spec Sheet for 906217—Sun System LEC 630 120 Volt w/ 3100 K Lamps, www.sunlightsupply.com/shop/bycategory/led-lighting/sun-system-lec-630-light-emitting-ceramic-fixture, online, updated Feb. 9, 2015. Site visited Mar. 30, 2015, p. 1.

ZR series High Efficacy Troffer, image post date Apr. 13, 2012, site visited Oct. 31, 2014, www.cree.com/lighting/products.

International Search Report and Written Opinion of the International Searching Authority for International Patent App. No. PCT/US2014/014959 dated Jan. 19, 2016; 4 pages.

* cited by examiner

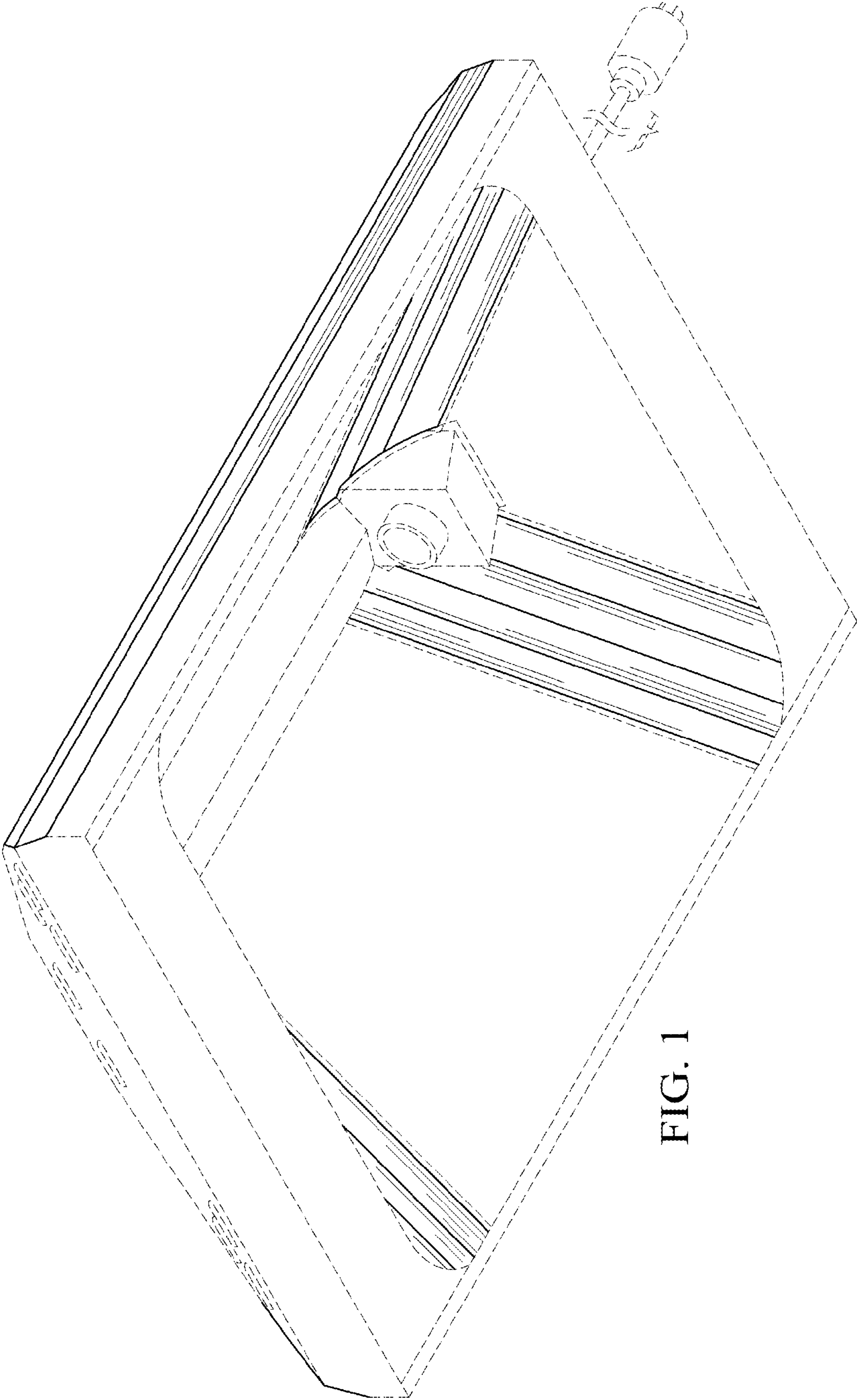


FIG. 1

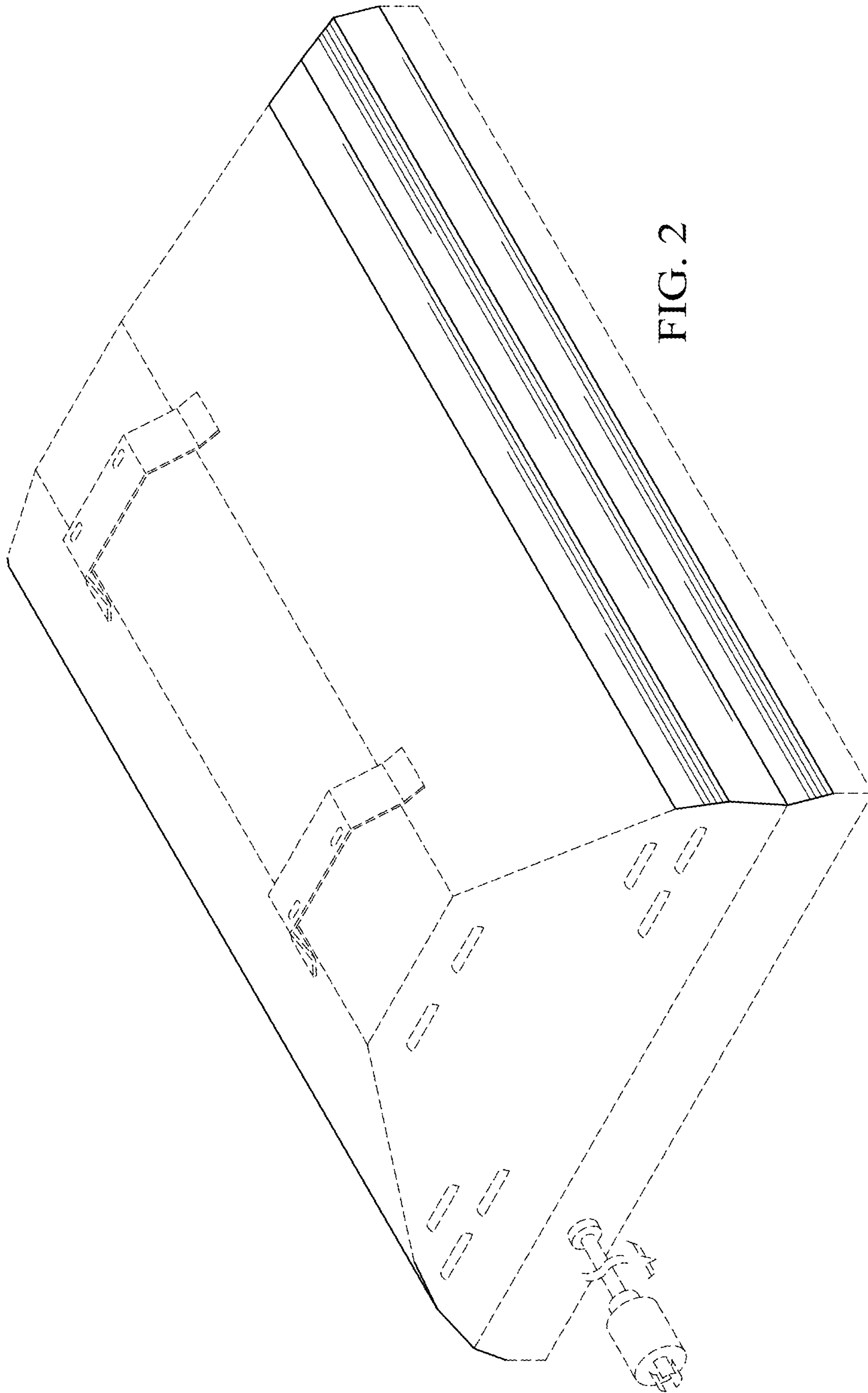


FIG. 2

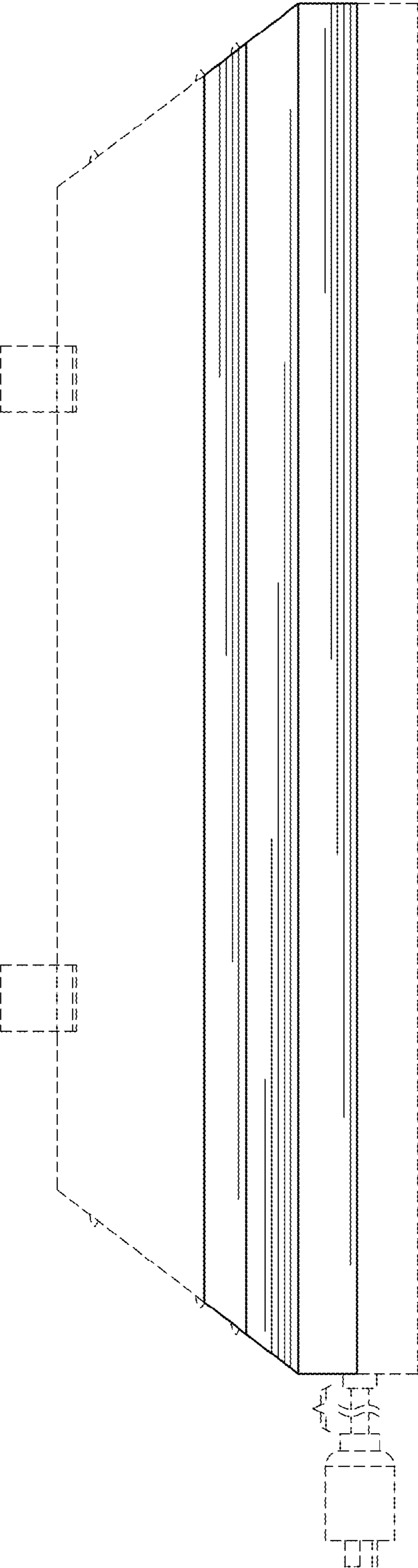


FIG. 3

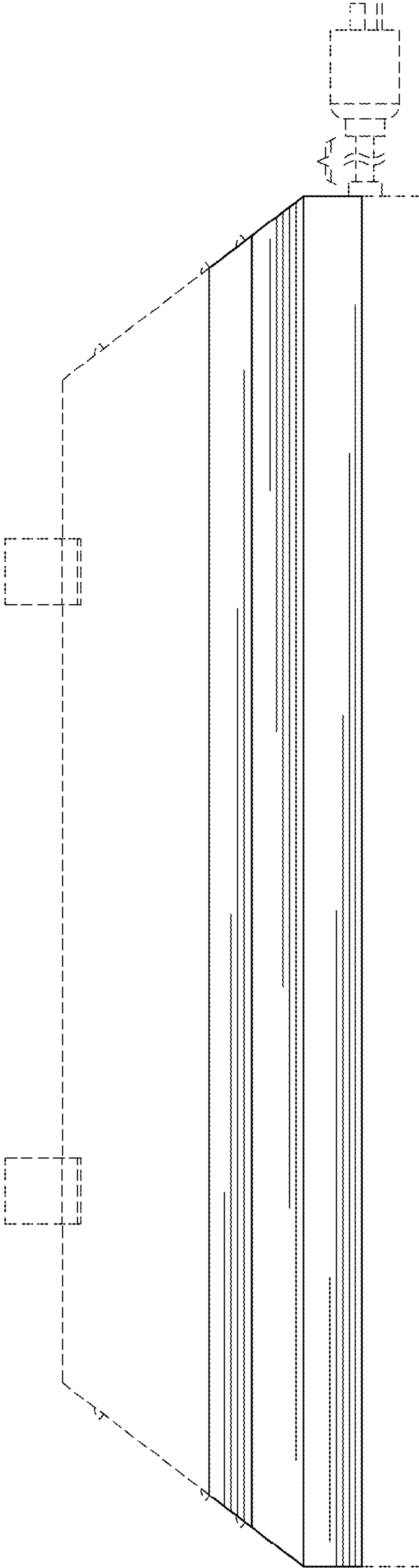


FIG. 4

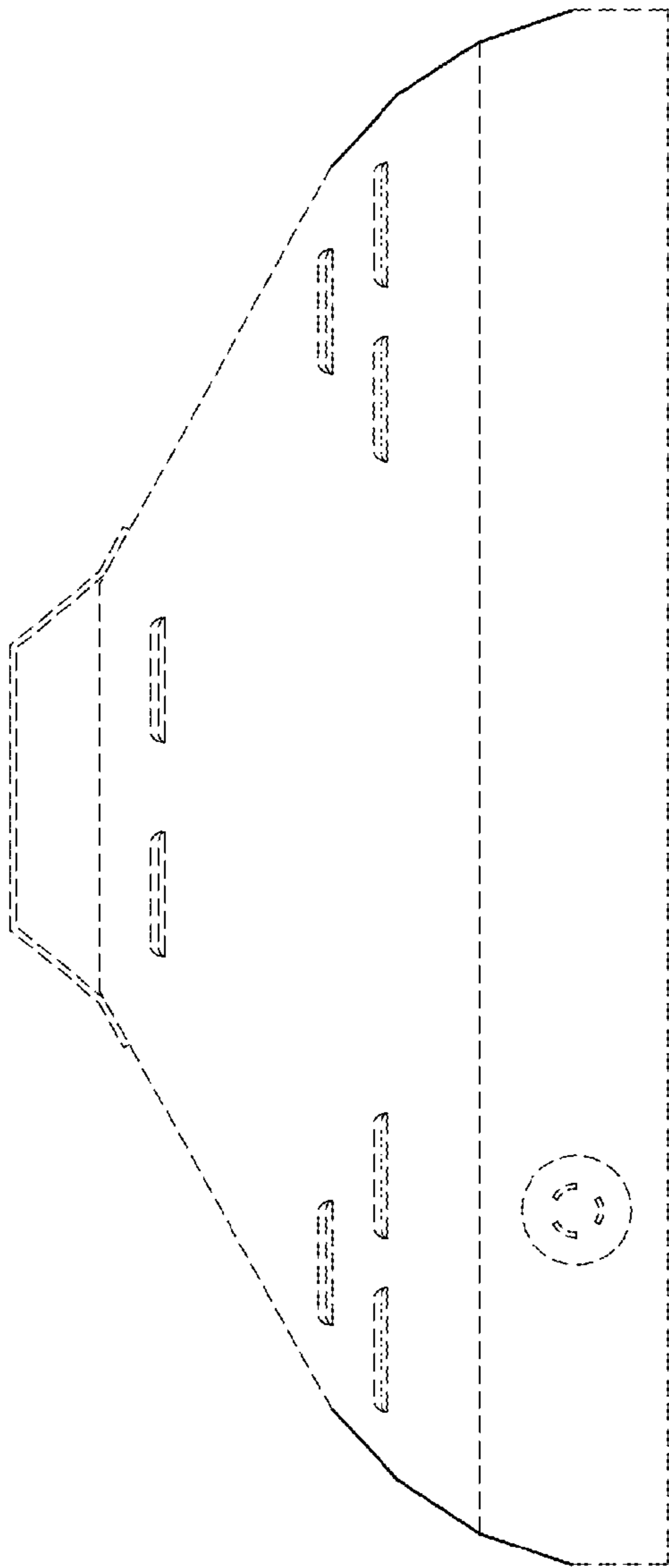


FIG. 5

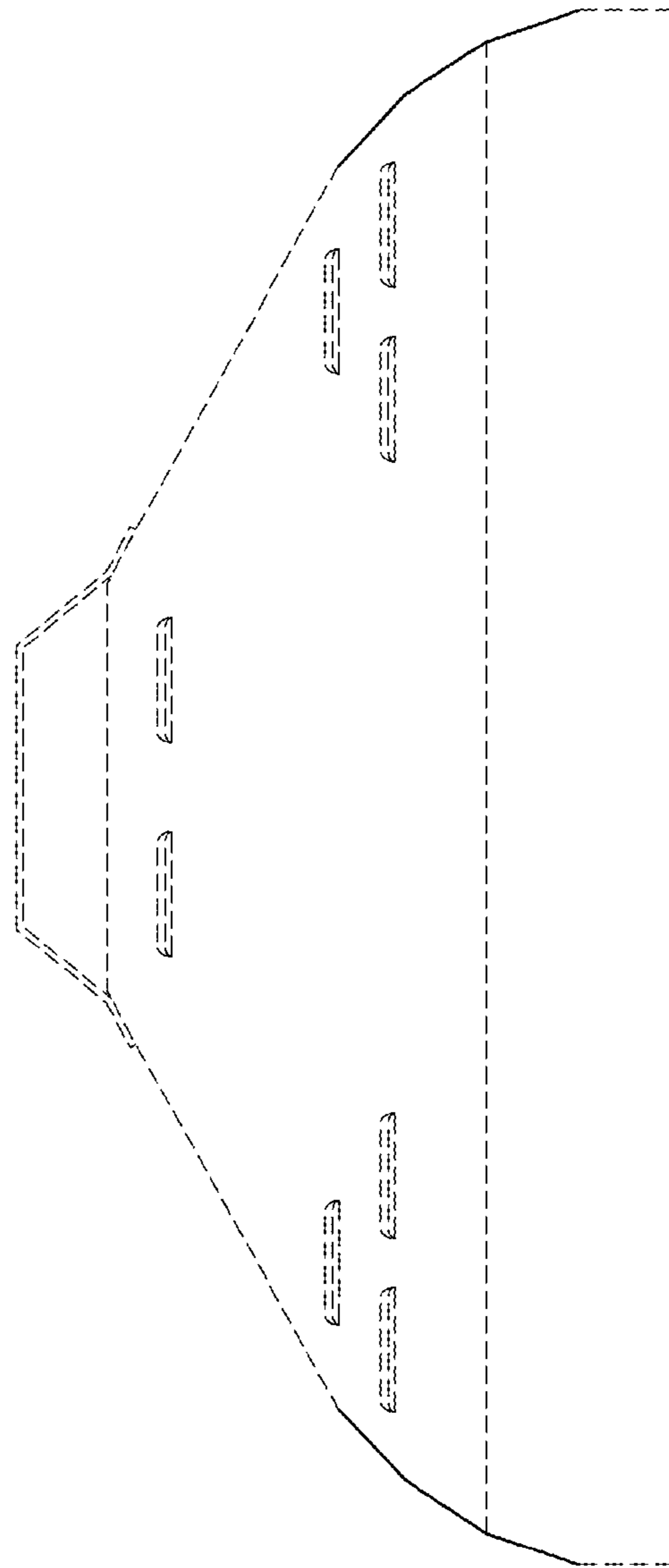


FIG. 6

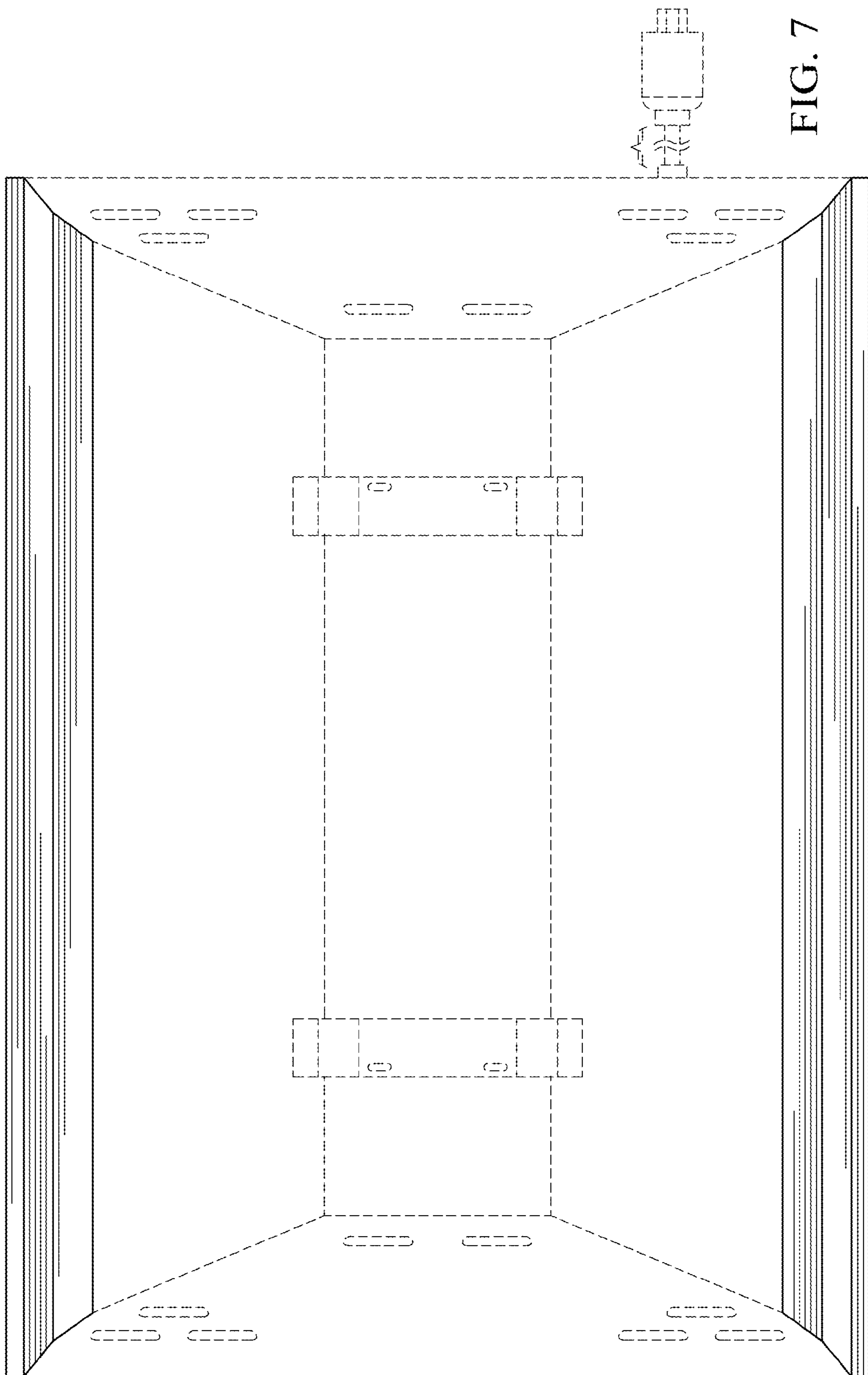


FIG. 7

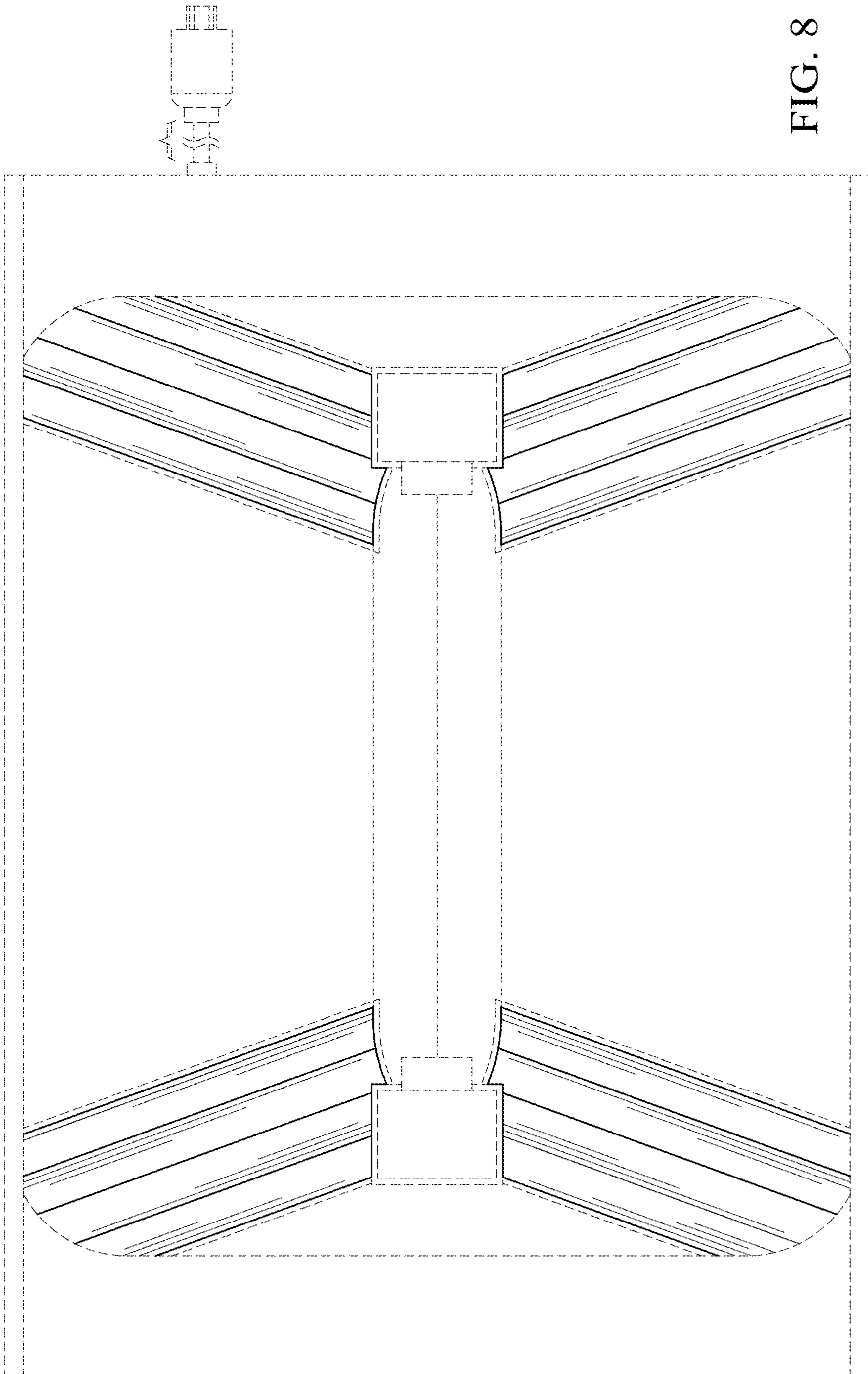


FIG. 8