

US00D940380S

(12) **United States Design Patent** (10) **Patent No.:** **US D940,380 S**  
**Xu** (45) **Date of Patent:** **\*\* Jan. 4, 2022**

(54) **LIGHT STRING BRACKET POLE**

FOREIGN PATENT DOCUMENTS

(71) Applicant: **Hongtao Xu**, Guangdong (CN)

CA 144281 \* 9/2012

(72) Inventor: **Hongtao Xu**, Guangdong (CN)

OTHER PUBLICATIONS

(\*\*) Term: **15 Years**

Amazon, "Outdoor String Lights, String Light Terrace", first available Oct. 15, 2019. (<https://www.amazon.com/FLY-HAWK-Residential-Decoration-Suspended/dp/B07Z61CLXN>) (Year: 2019).\*

(21) Appl. No.: **29/752,564**

(Continued)

(22) Filed: **Sep. 28, 2020**

(51) **LOC (13) Cl.** ..... **26-05**

*Primary Examiner* — Lauren D McVey

(52) **U.S. Cl.**

*Assistant Examiner* — Justin A Johnson

USPC ..... **D26/93**

(74) *Attorney, Agent, or Firm* — ScienBiziP, P.C.

(58) **Field of Classification Search**

USPC ..... D26/1, 2, 3, 24, 25, 93  
CPC .... F21L 2/00; F21S 2/00; F21V 21/10; F21V 21/108

(57) **CLAIM**

The ornamental design for a light string bracket pole, as shown and described.

See application file for complete search history.

**DESCRIPTION**

(56) **References Cited**

U.S. PATENT DOCUMENTS

|                   |         |          |       |                        |
|-------------------|---------|----------|-------|------------------------|
| D69,749 S *       | 3/1926  | Ditcher  | ..... | D26/101                |
| 4,891,032 A *     | 1/1990  | Davis    | ..... | A63H 33/00<br>446/484  |
| D370,546 S *      | 6/1996  | Huang    | ..... | D26/102                |
| D387,884 S *      | 12/1997 | Mackay   | ..... | D26/93                 |
| D483,516 S *      | 12/2003 | Cohon    | ..... | D26/93                 |
| D501,576 S *      | 2/2005  | Opolka   | ..... | D26/110                |
| D505,223 S *      | 5/2005  | Opolka   | ..... | D26/110                |
| D720,089 S *      | 12/2014 | Poon     | ..... | D26/5                  |
| D754,522 S        | 4/2016  | Wicken   |       |                        |
| D876,708 S *      | 2/2020  | Tang     | ..... | A63H 33/00<br>D26/110  |
| D929,022 S *      | 8/2021  | Tang     | ..... | B60Q 1/2657<br>D26/106 |
| 2012/0147585 A1 * | 6/2012  | Girouard | ..... | B60Q 1/2657<br>362/84  |
| 2021/0025554 A1 * | 1/2021  | Cheng    | ..... | F21V 33/00             |
| 2021/0116088 A1 * | 4/2021  | Bijl     | ..... | H05K 7/20136           |

FIG. 1 is a front perspective view of a light string bracket pole, showing my design.

FIG. 2 is a front elevation view thereof.

FIG. 3 is a rear elevation view thereof.

FIG. 4 is a left side elevation thereof.

FIG. 5 is a right side elevation thereof.

FIG. 6 is a top plan view thereof.

FIG. 7 is a bottom plan view thereof.

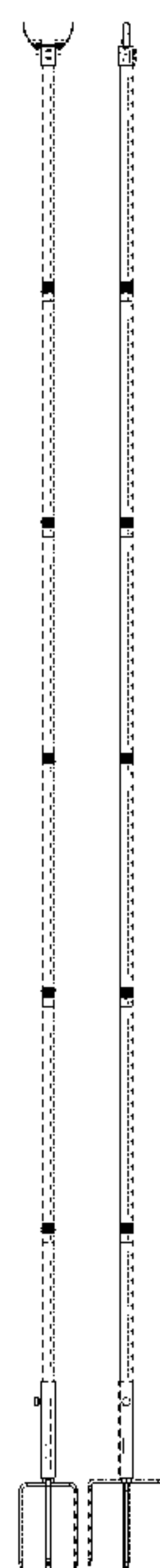
FIG. 8 is an enlarged view of an area labeled 8 in FIG. 1.

FIG. 9 is an enlarged view of an area labeled 9 in FIG. 1; and,

FIG. 10 is an enlarged view of an area labeled 10 in FIG. 1.

The evenly spaced broken lines depict environmental structure and the dot-dash broken lines illustrate the enlargements of the design. The broken lines form no part of the claimed design.

**1 Claim, 10 Drawing Sheets**



(56)

**References Cited**

OTHER PUBLICATIONS

Amazon, "Brillihood Outside String Light Poles", first available Sep. 25, 2020. (<https://www.amazon.com/Brillihood-Adjustable-Stainless-Backyard-Christmas/dp/B08K2RTM55/?th=1>) (Year: 2020).\*

Amazon, "vantiorango Light Poles for Outside", first available Apr. 14, 2021. (<https://www.amazon.com/dp/B092J76W4B/>) (Year: 2021).\*

Amazon, "Panta String Light Pole for Outside", first available Apr. 20, 2021. (<https://www.amazon.com/dp/B092Y6Y4FK/>) (Year: 2021).\*

\* cited by examiner

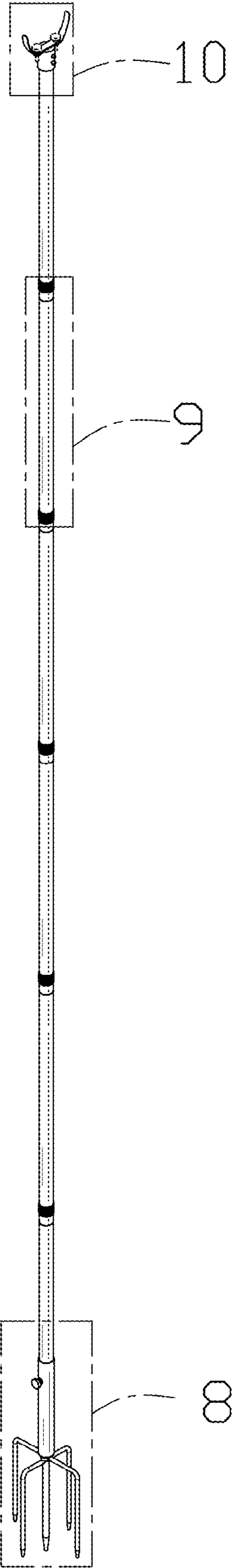


FIG. 1

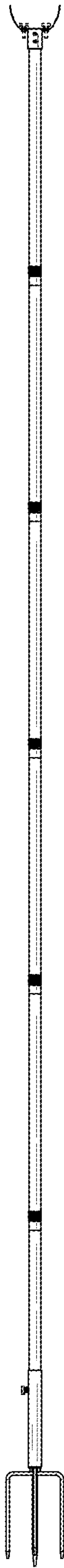


FIG. 2

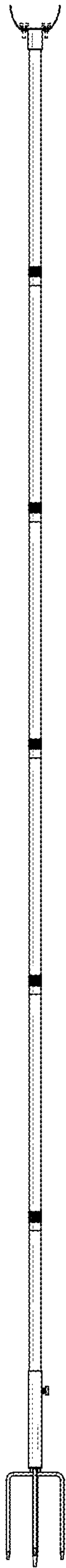


FIG. 3

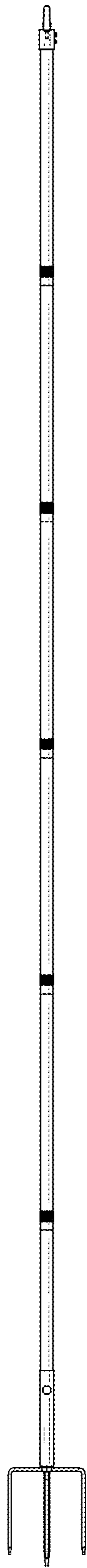


FIG. 4

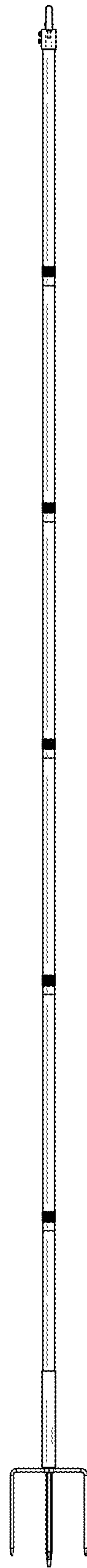


FIG. 5

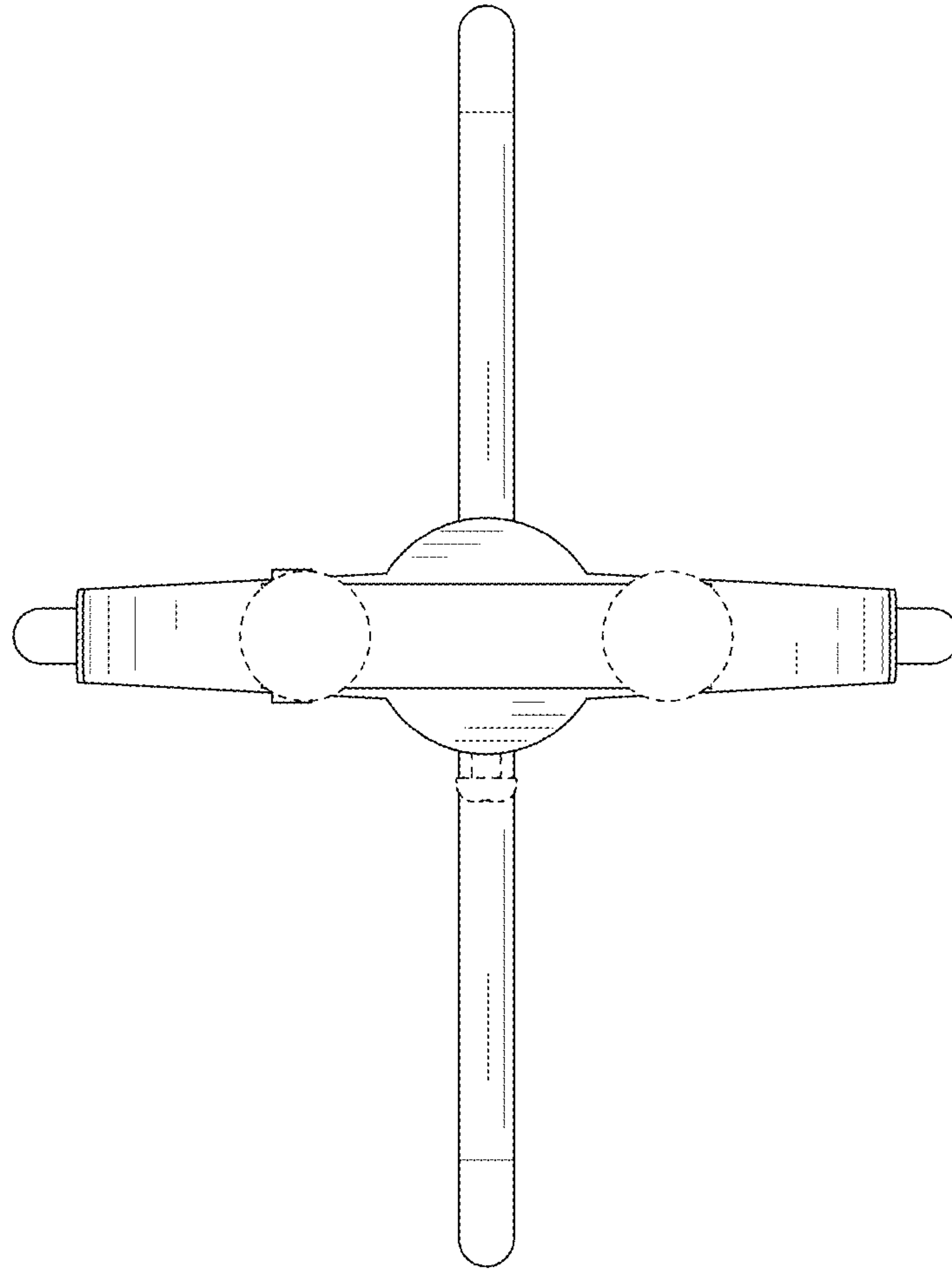


FIG. 6



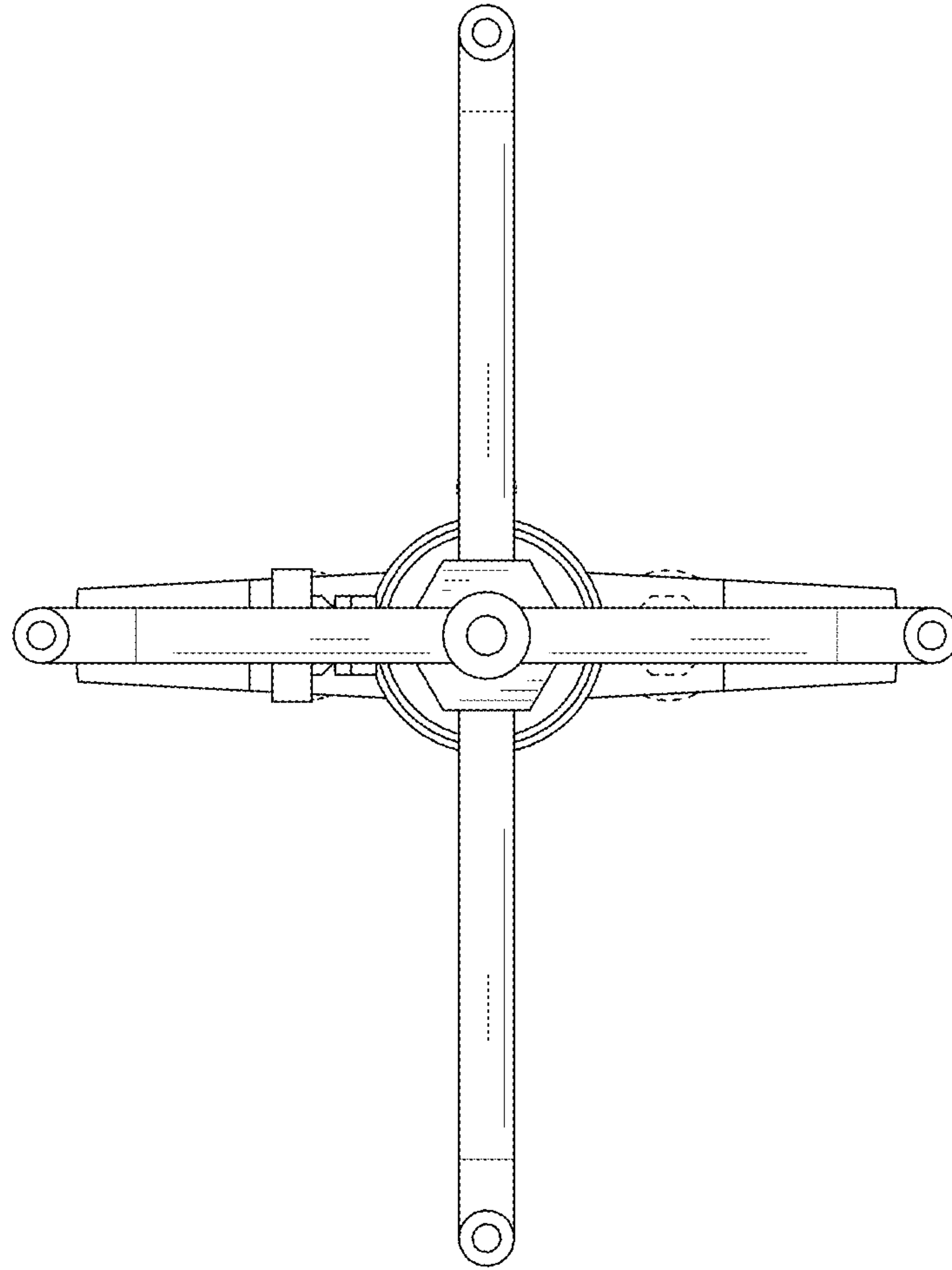


FIG. 7

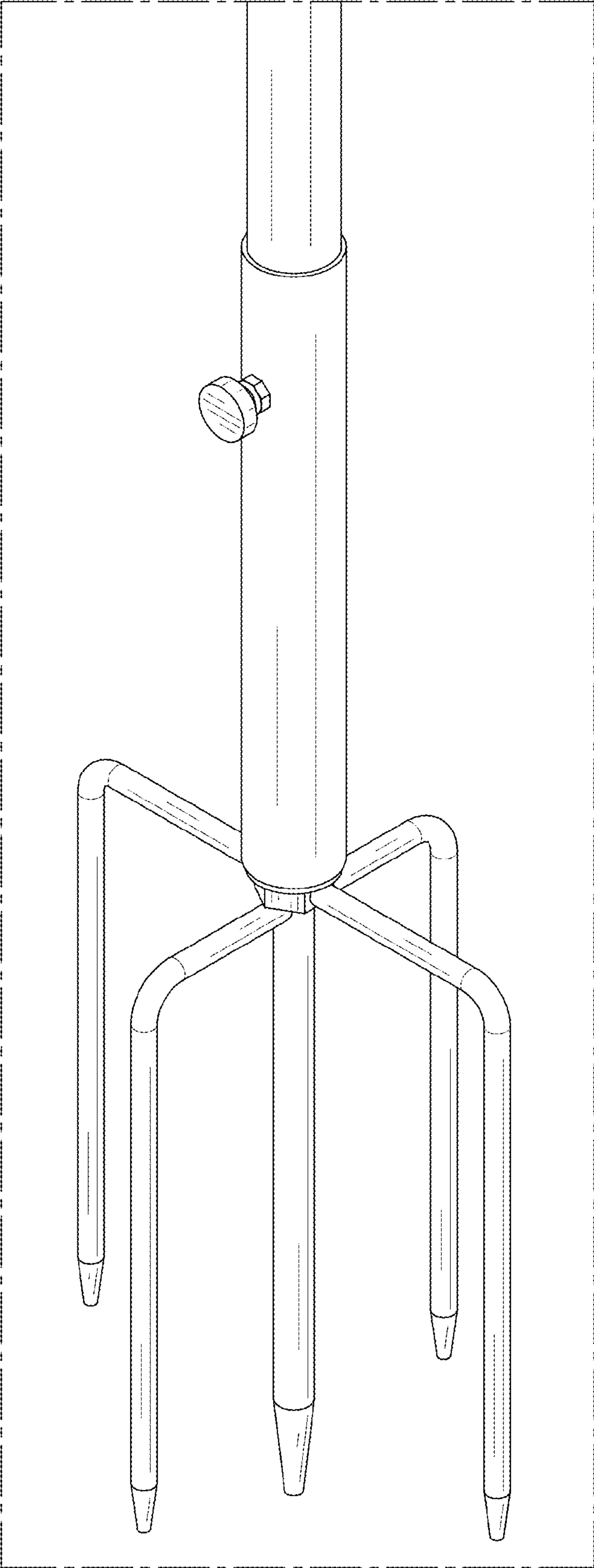


FIG. 8

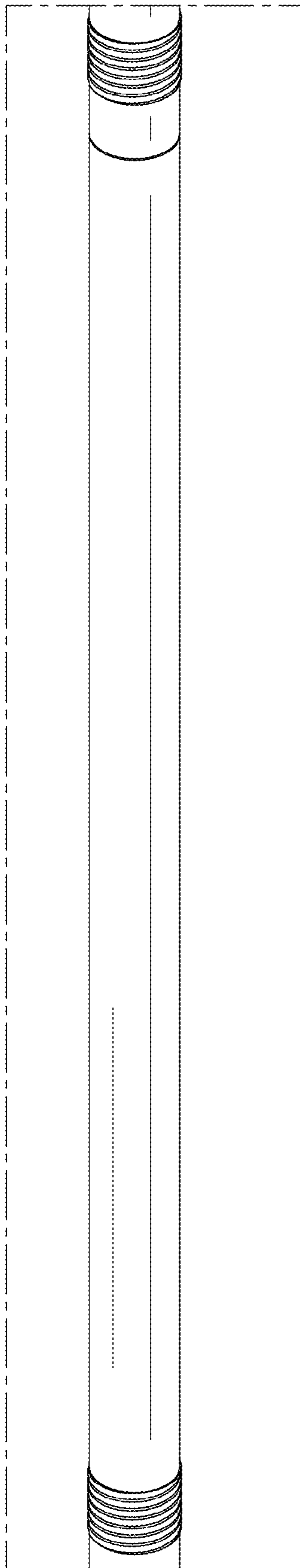


FIG. 9

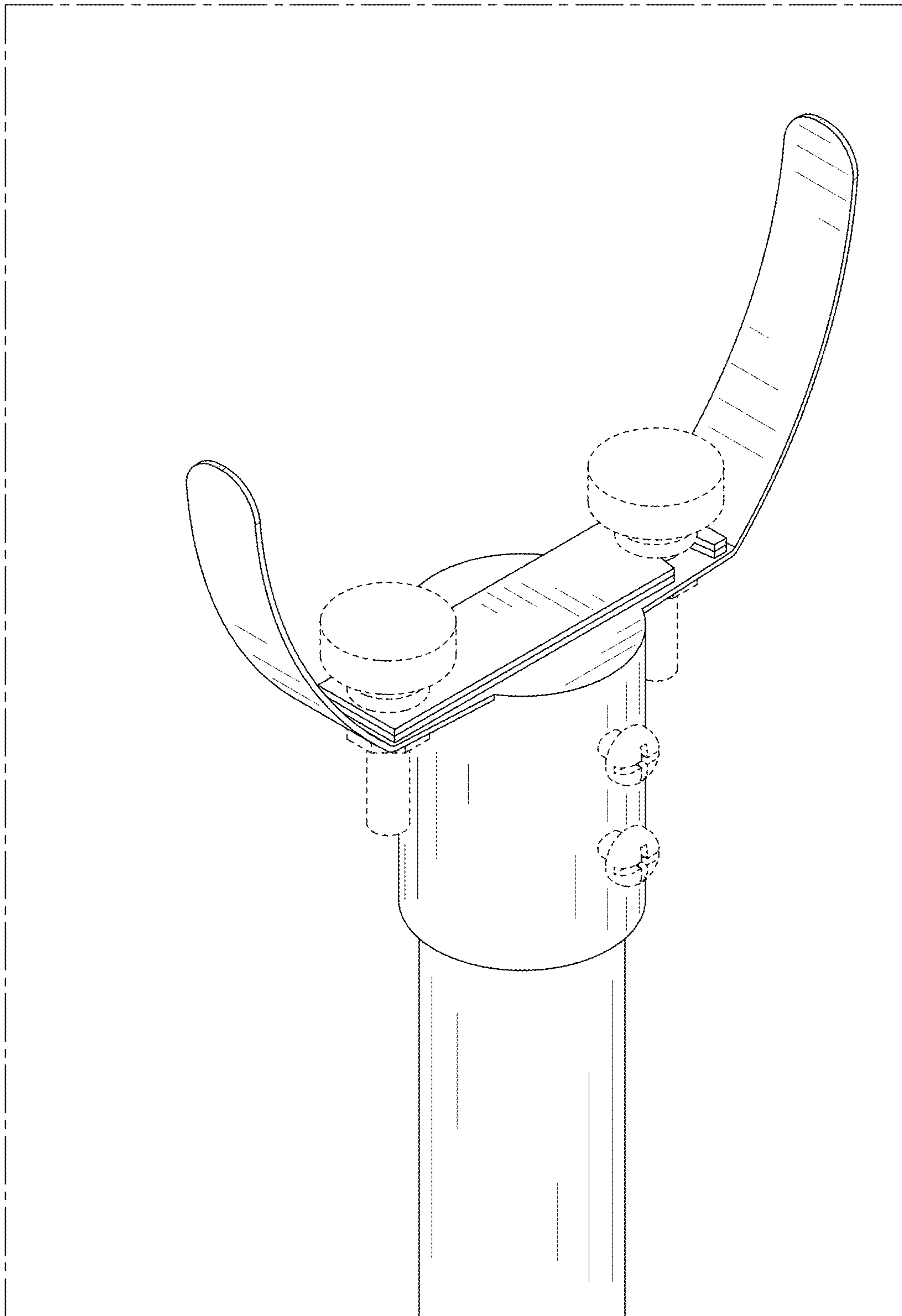


FIG. 10