



US00D940379S

(12) **United States Design Patent**  
**Zhao**

(10) **Patent No.:** **US D940,379 S**  
(45) **Date of Patent:** **\*\* Jan. 4, 2022**

(54) **LAMP**

(71) Applicant: **Rongting Zhao**, Shenzhen (CN)

(72) Inventor: **Rongting Zhao**, Shenzhen (CN)

(\*\*) Term: **15 Years**

(21) Appl. No.: **29/765,969**

(22) Filed: **Jan. 13, 2021**

(51) **LOC (13) Cl.** ..... **26-03**

(52) **U.S. Cl.**  
USPC ..... **D26/90; D26/81**

(58) **Field of Classification Search**  
USPC ..... D26/80–84, 86, 88, 90  
CPC .... F21S 8/04; F21S 8/043; F21S 8/046; F21S  
8/06; F21S 8/061; F21S 8/063; F21S  
8/065; F21S 8/066; F21S 8/068  
See application file for complete search history.

(56) **References Cited**

**U.S. PATENT DOCUMENTS**

D468,475 S	1/2003	De Lucchi	
D469,562 S	1/2003	Crasset	
D493,568 S *	7/2004	Parres	D26/143
D592,787 S *	5/2009	Chandler	D26/81
D861,951 S *	10/2019	Zitoli	D26/81
D877,959 S *	3/2020	Birchfield	D26/81
D887,619 S *	6/2020	Chen	D26/88
D903,179 S *	11/2020	Pulsifer	D26/81
D929,019 S *	8/2021	Zhao	D26/81
D929,020 S *	8/2021	Zhao	D26/90

**OTHER PUBLICATIONS**

Anmytek Rectangle Wood Chandelier ASIN: B08BWZY37D available at amazon.com Jun. 26, 2020. (Year: 2020).\*  
Zeyu 5-Light Kitchen Island Light, ASIN: B07VHNFZXH available at amazon.com Sep. 5, 2019. (Year: 2019).\*  
The Lighting Store—Aurora Antique Black Rectangular Metal and Natural Wood Chandelier, available at overstock.com as early as Oct. 24, 2019. (Year: 2019).\*  
Safavieh Sagan 4-Light Black Adjustable Linear Pendant, Model No. PND4099A, ASIN: B083GKB43Z available at amazon.com Jan. 3, 2020. (Year: 2020).\*

\* cited by examiner

*Primary Examiner* — Clare E Heflin

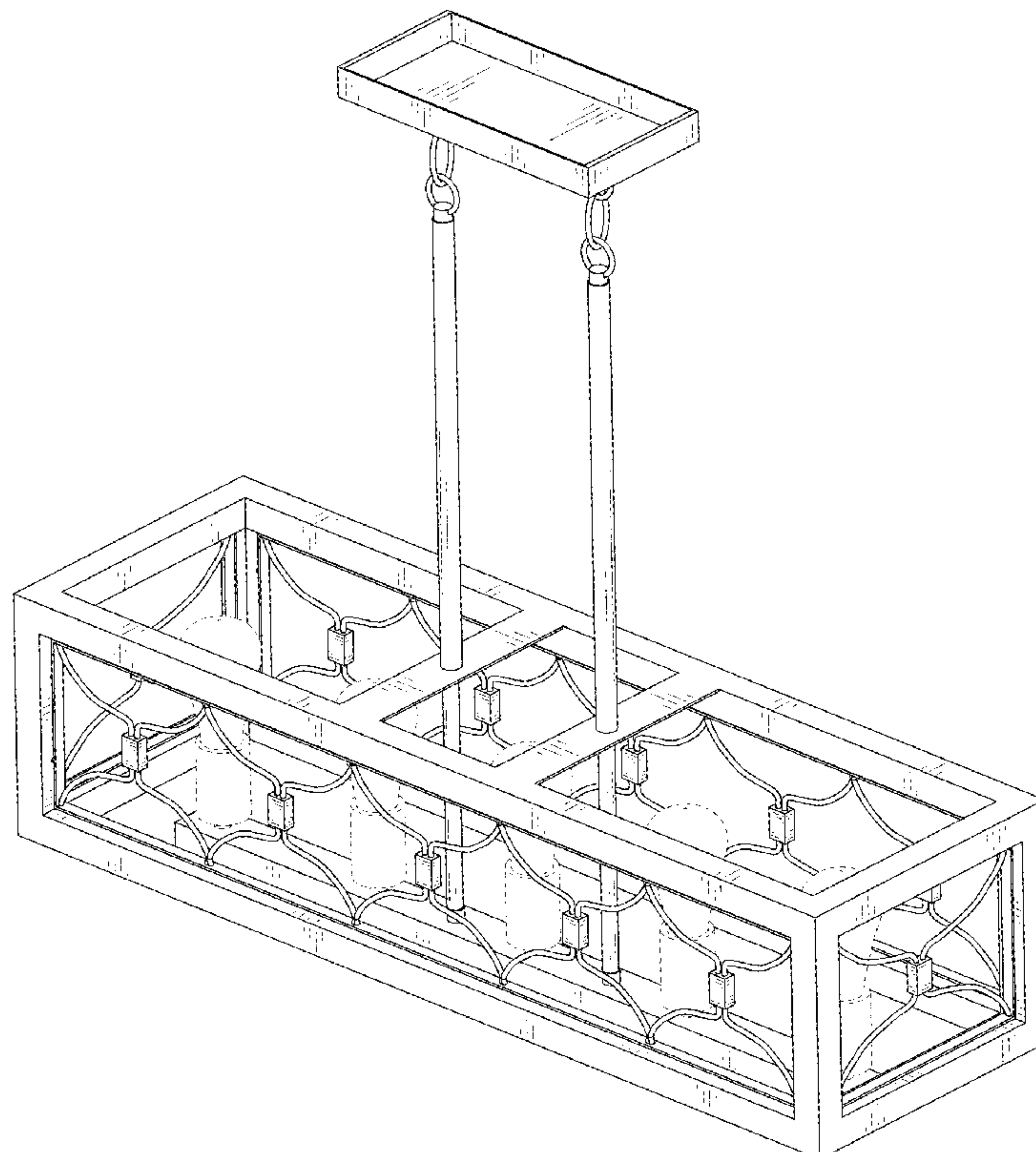
(57) **CLAIM**

The ornamental design for a lamp, as shown and described.

**DESCRIPTION**

FIG. 1 is a perspective view of a lamp showing my new design;  
FIG. 2 is another perspective view thereof;  
FIG. 3 is a front elevational view thereof;  
FIG. 4 is a rear elevational view thereof;  
FIG. 5 is a left side elevational view thereof;  
FIG. 6 is a right side elevational view thereof;  
FIG. 7 is a top plan view thereof; and,  
FIG. 8 is a bottom plan view thereof.  
The broken lines in the drawings depict portions of the lamp that form no part of the claimed design.

**1 Claim, 8 Drawing Sheets**



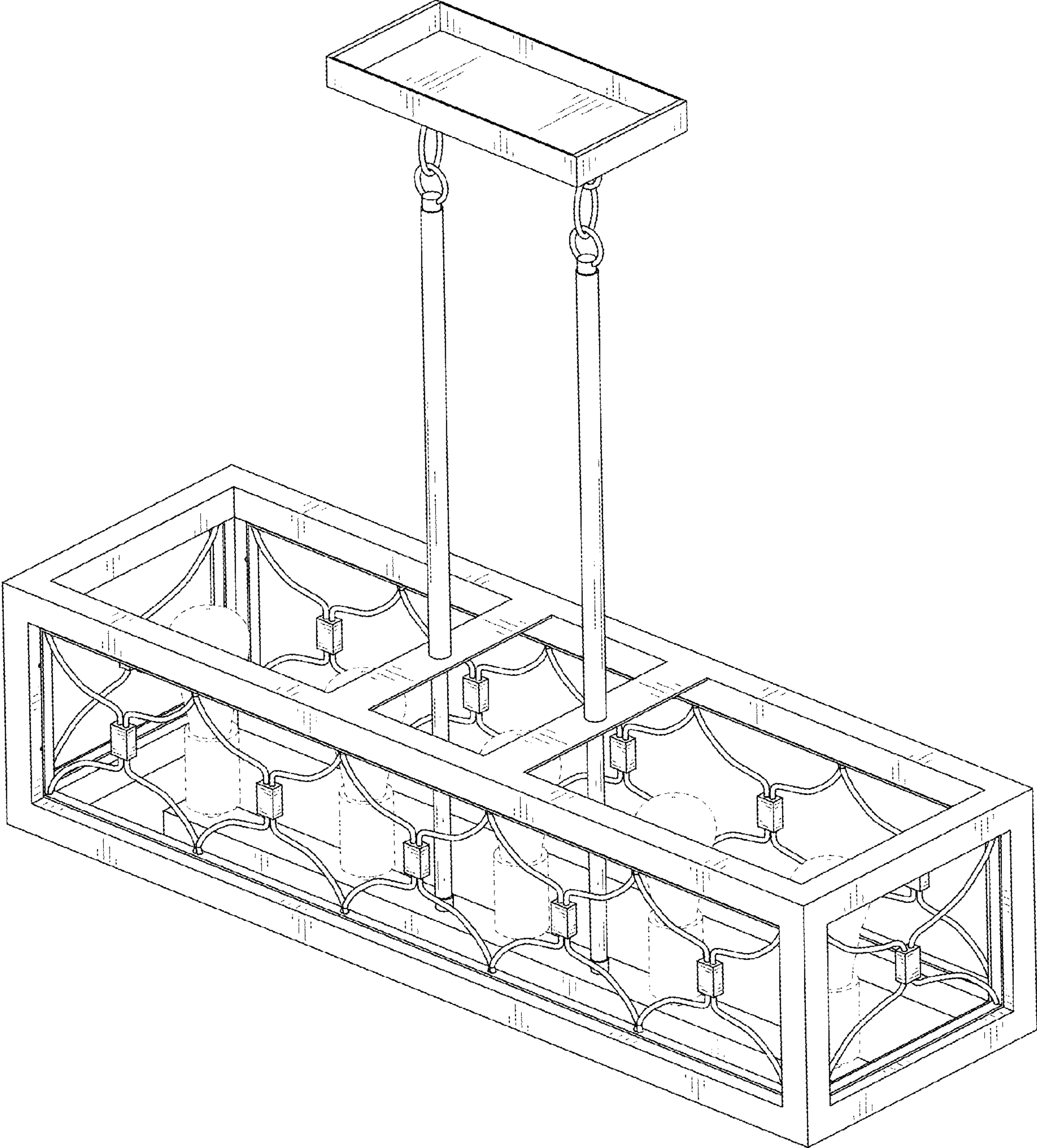


FIG. 1



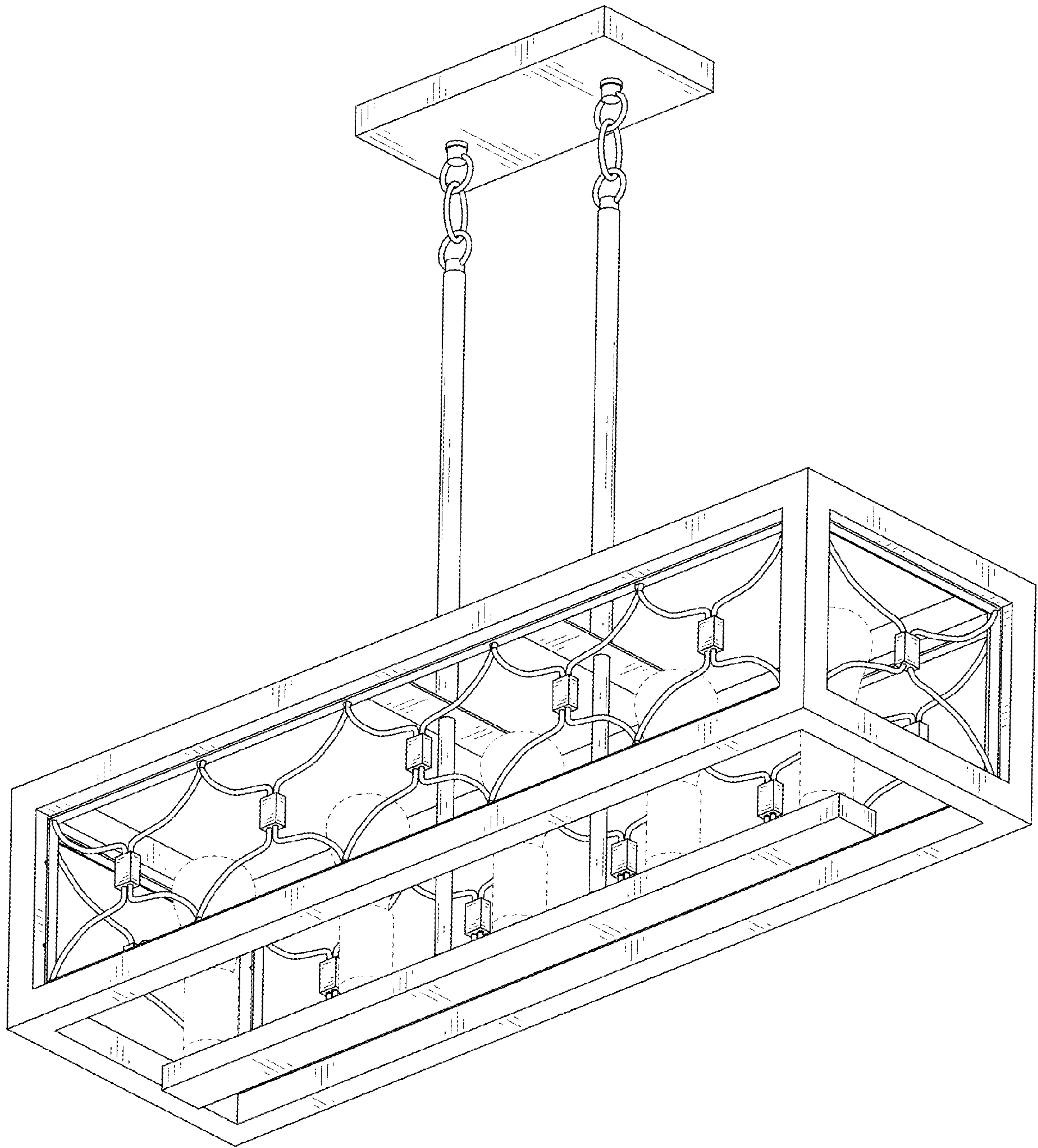


FIG. 2

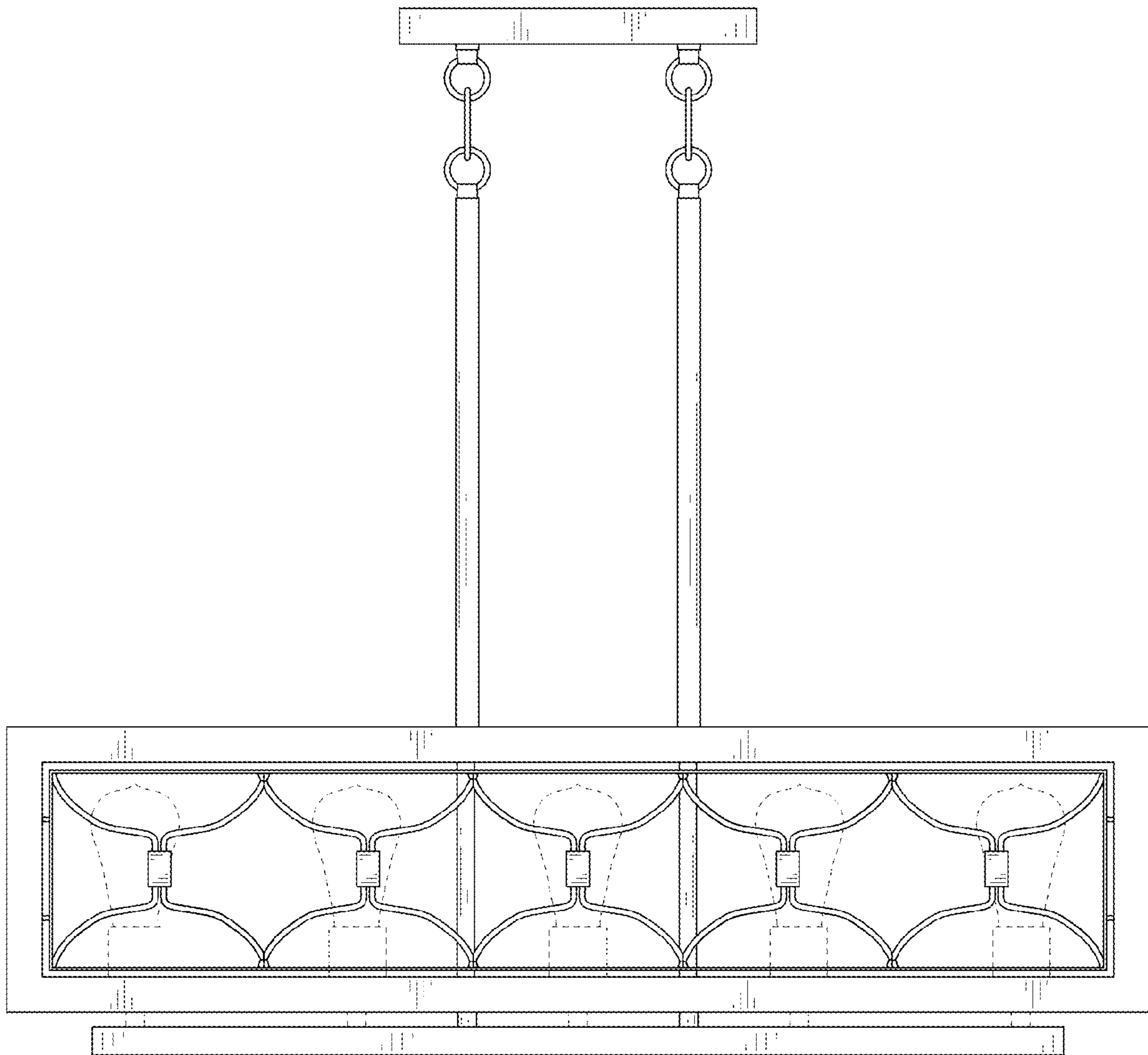


FIG. 3

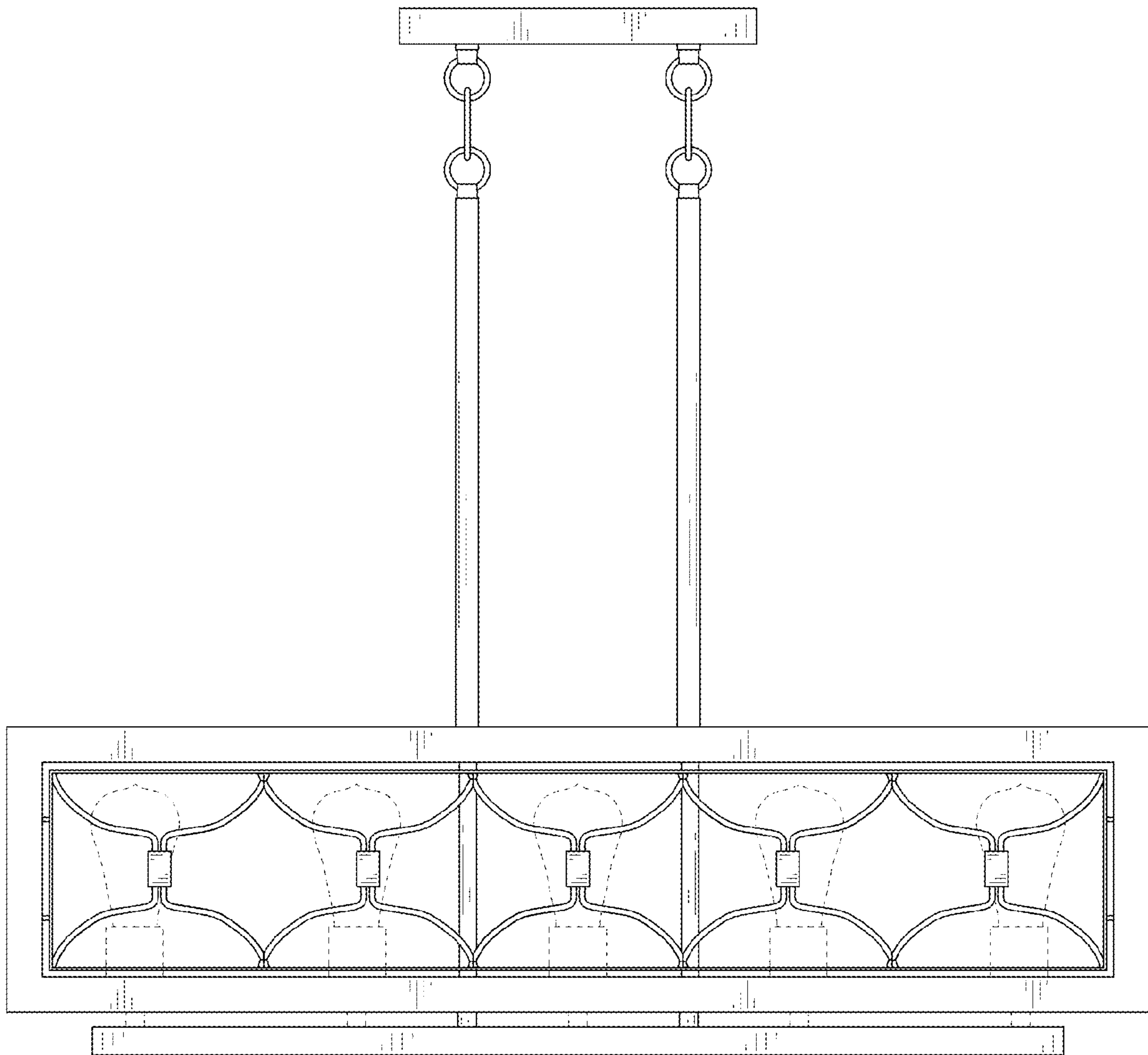


FIG. 4

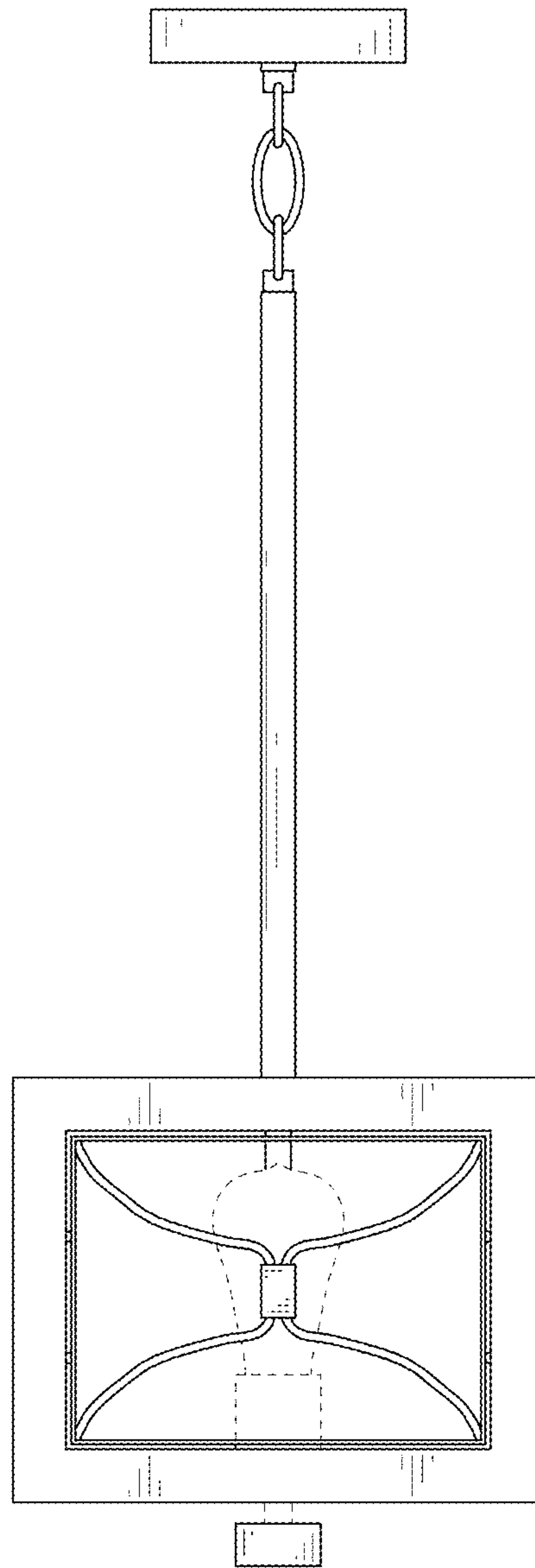


FIG. 5

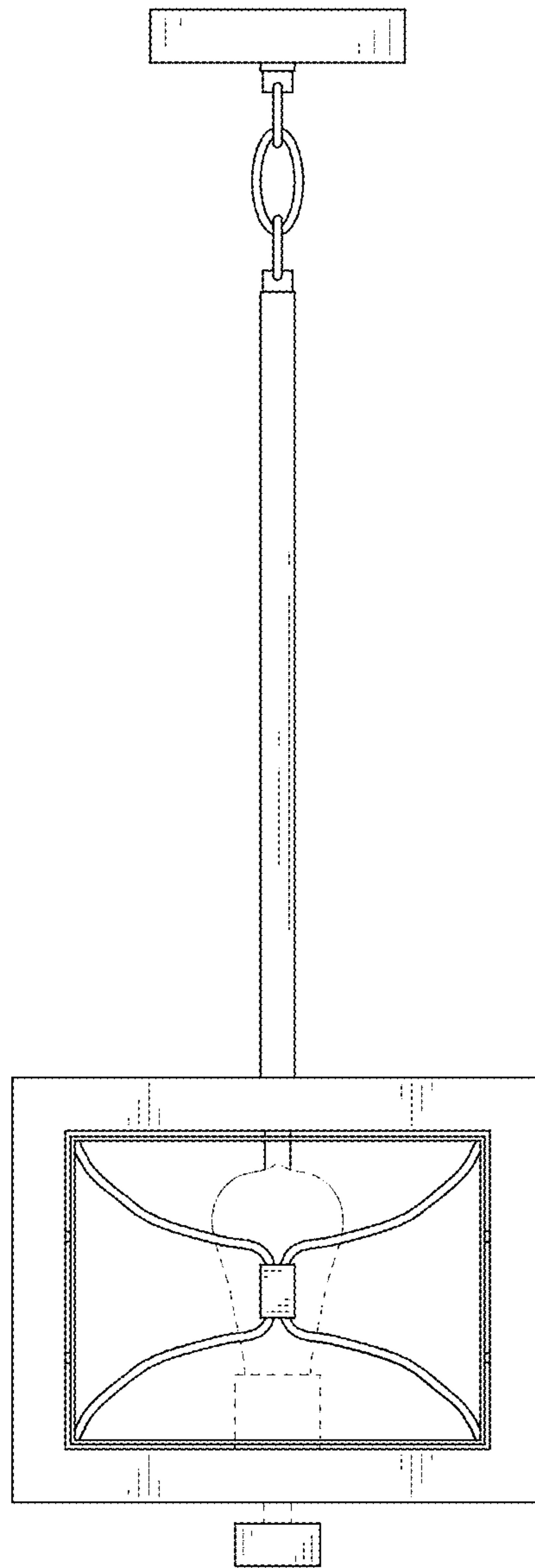


FIG. 6

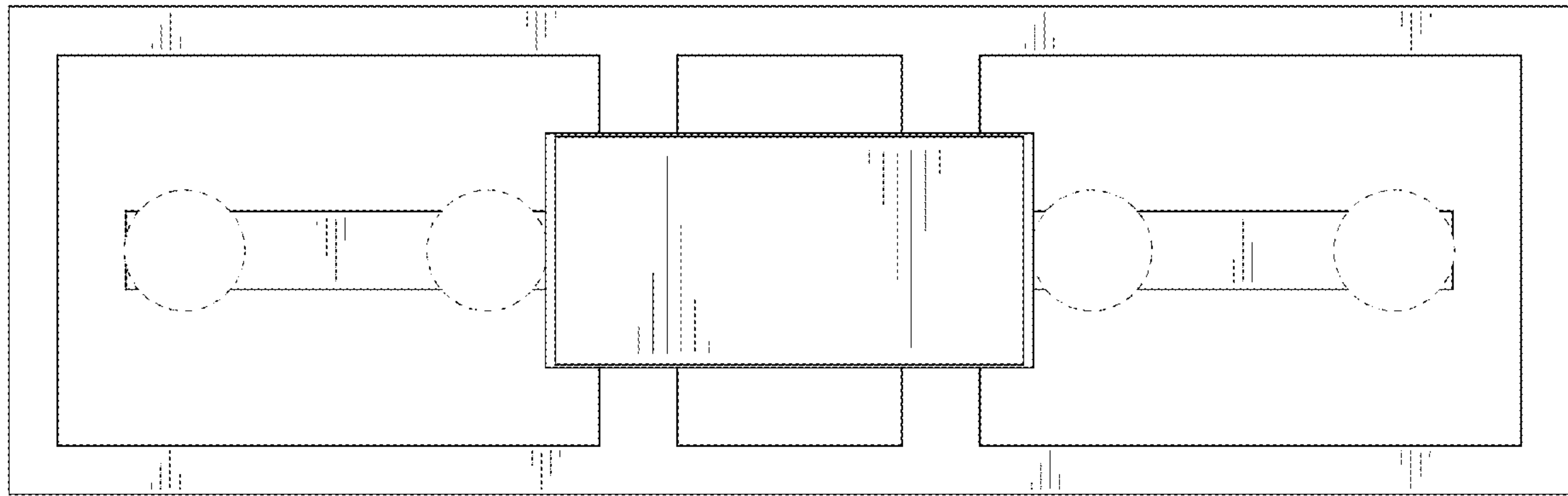


FIG. 7



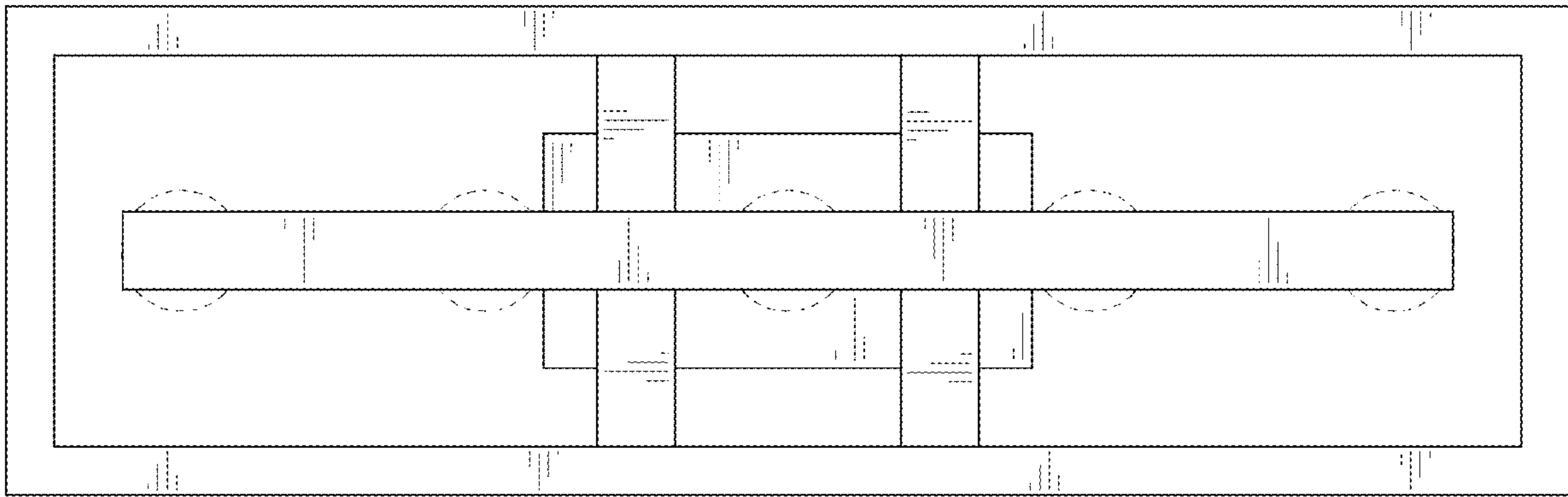


FIG. 8