



US00D940378S

(12) **United States Design Patent** (10) **Patent No.:** **US D940,378 S**
Browning (45) **Date of Patent:** **** Jan. 4, 2022**

(54) **SCONCE**
(71) Applicant: **RH US, LLC**, Corte Madera, CA (US)
(72) Inventor: **John Richard Browning**, San Francisco, CA (US)
(73) Assignee: **RH US, LLC**, Corte Madera, CA (US)
(**) Term: **15 Years**
(21) Appl. No.: **29/750,642**
(22) Filed: **Sep. 15, 2020**
(51) **LOC (13) Cl.** **26-03**
(52) **U.S. Cl.**
USPC **D26/87; D26/119**
(58) **Field of Classification Search**
USPC D26/72, 80, 84-88, 92, 119
CPC .. F21S 8/033; F21S 8/035; F21S 8/036; F21S 8/046
See application file for complete search history.

NAVIMC Black Antique Wrought Iron Wall Sconce ASIN: B01HCIKK7U available from amazon.com Jun. 21, 2016. (Year: 2016).*
Marlowe 22½" High Galvanized Two-Light Outdoor Wall Light, Style #23V02, available from lampsplus.com as early as Feb. 7, 2019. (Year: 2019).*

* cited by examiner

Primary Examiner — Clare E Heflin
(74) *Attorney, Agent, or Firm* — Lewis Roca Rothgerber Christie LLP

(57) **CLAIM**

The ornamental design for a sconce, as shown and described.

DESCRIPTION

FIG. 1 is a perspective view of a first embodiment of a sconce showing my new design;
FIG. 2 is a top plan view thereof, the bottom being a mirror image;
FIG. 3 is a front elevation view thereof;
FIG. 4 is a rear elevation view thereof;
FIG. 5 is a right side elevation view thereof, the left side being a mirror image;
FIG. 6 is a perspective view of a second embodiment of a sconce showing my new design;
FIG. 7 is a top plan view thereof, the bottom being a mirror image;
FIG. 8 is a front elevation view thereof;
FIG. 9 is a rear elevation view thereof; and,
FIG. 10 is a right side elevation view thereof, the left side being a mirror image.
The broken lines show environmental subject matter and form no part of the claimed design. The second embodiment is shown with symbolic breaks in length in FIGS. 6-9, and those portions of the article between the break lines form no part of the claimed design.

(56) **References Cited**

U.S. PATENT DOCUMENTS

D81,532 S *	7/1930	Gosling	D26/88
3,258,239 A *	6/1966	Green	F21V 17/02
				248/342
D207,178 S *	3/1967	Atkin et al.	D26/87
D443,379 S *	6/2001	Xu	D26/87
D447,591 S *	9/2001	Hsu	D26/84
D488,580 S *	4/2004	Hsu	D26/92
D541,973 S *	5/2007	Dolan	D26/87
D667,161 S *	9/2012	Chen	D26/87
D673,319 S *	12/2012	Guercio	D26/87
D697,660 S *	1/2014	Sabernig	D26/87
D754,908 S *	4/2016	Orozco	D26/87
D821,017 S *	6/2018	Brannon	D26/87
2006/0291219 A1 *	12/2006	Chen	F21V 21/16
				362/382

OTHER PUBLICATIONS

Feiss Urban Renewal Industrial Vintage Wall Sconce WB1704DAB, ASIN: B00DIH8KMM available from amazon.com Jun. 20, 2013. (Year: 2017).*

1 Claim, 6 Drawing Sheets

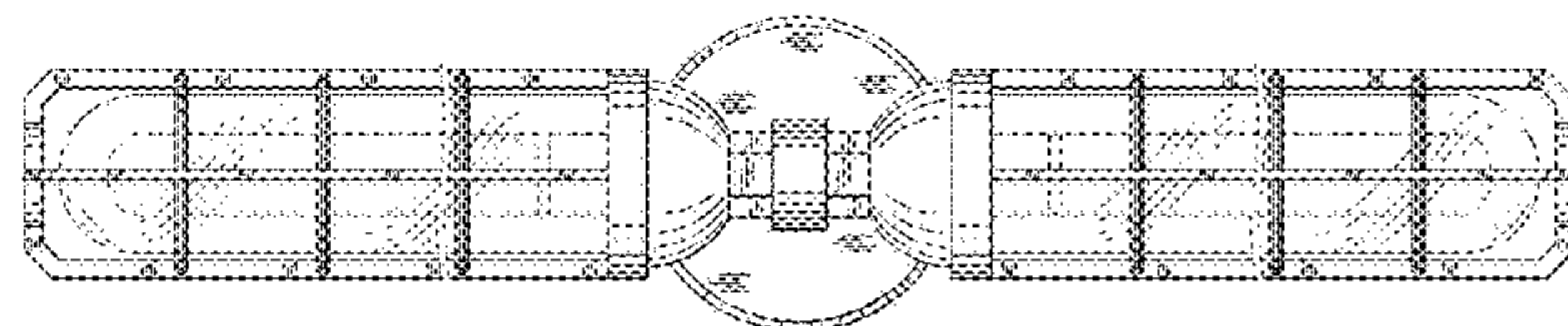
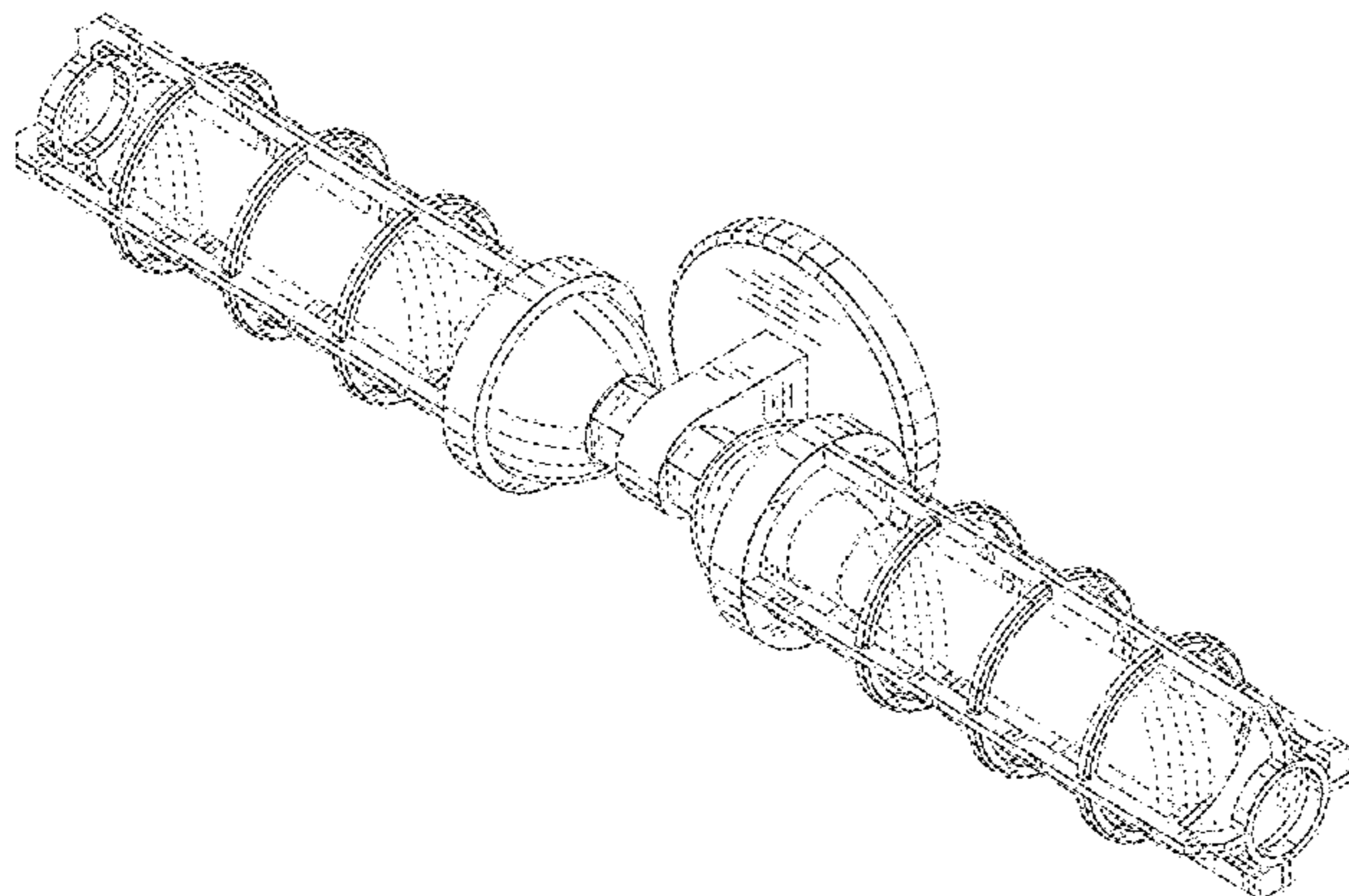


FIG. 1

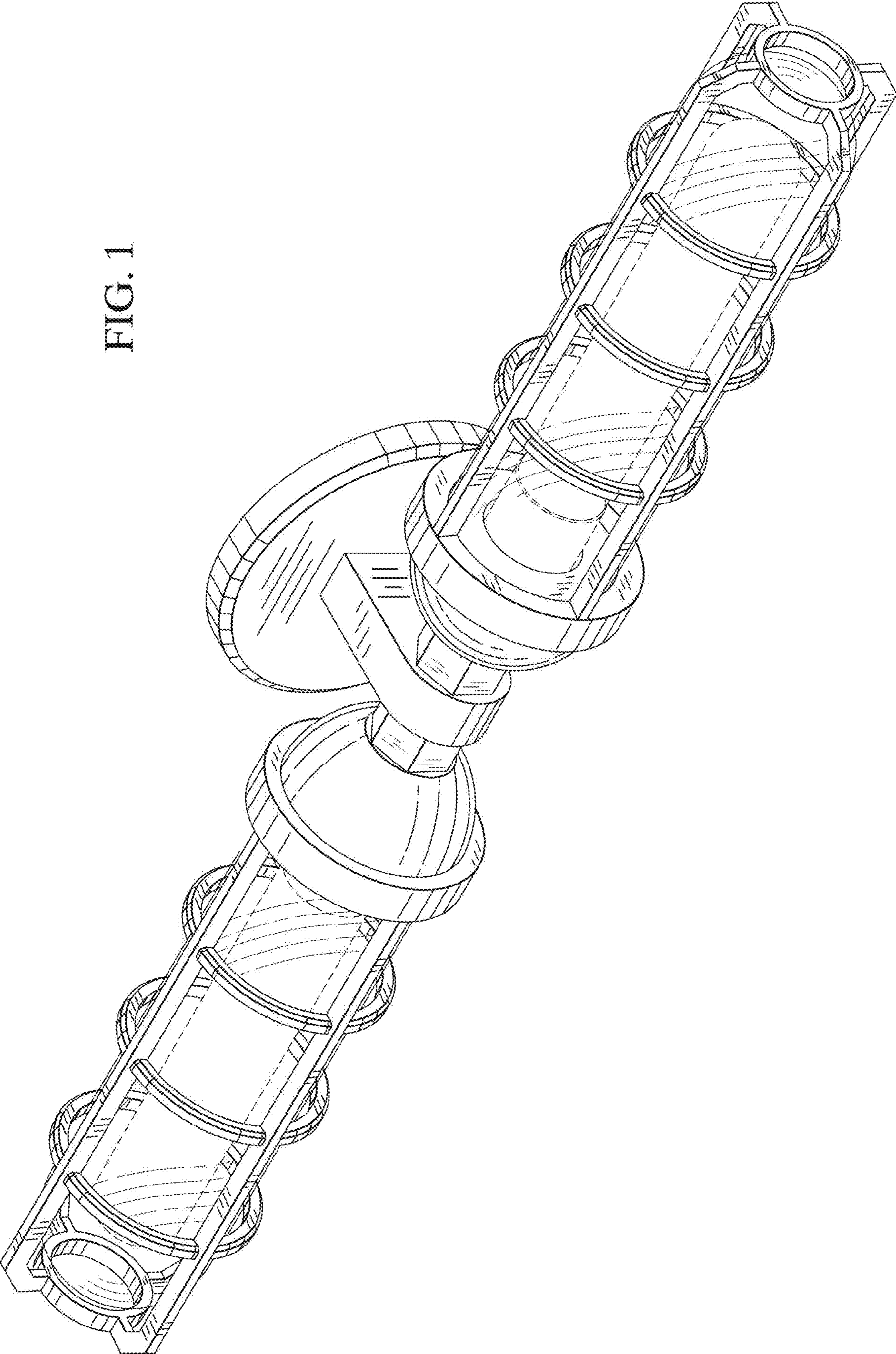


FIG. 2

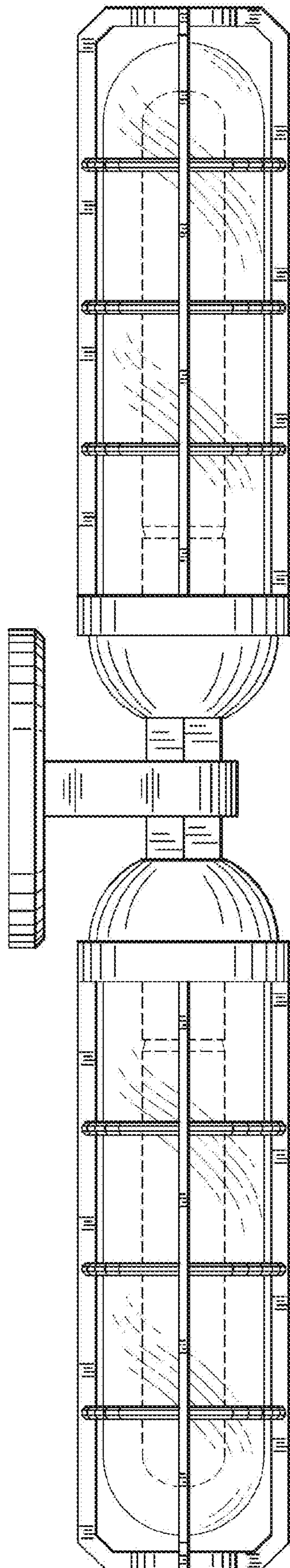


FIG. 3

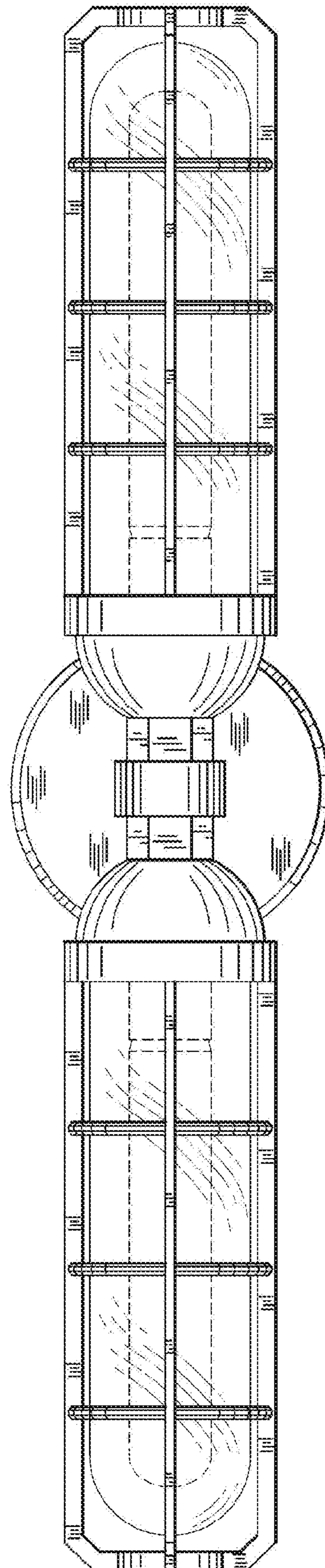


FIG. 4

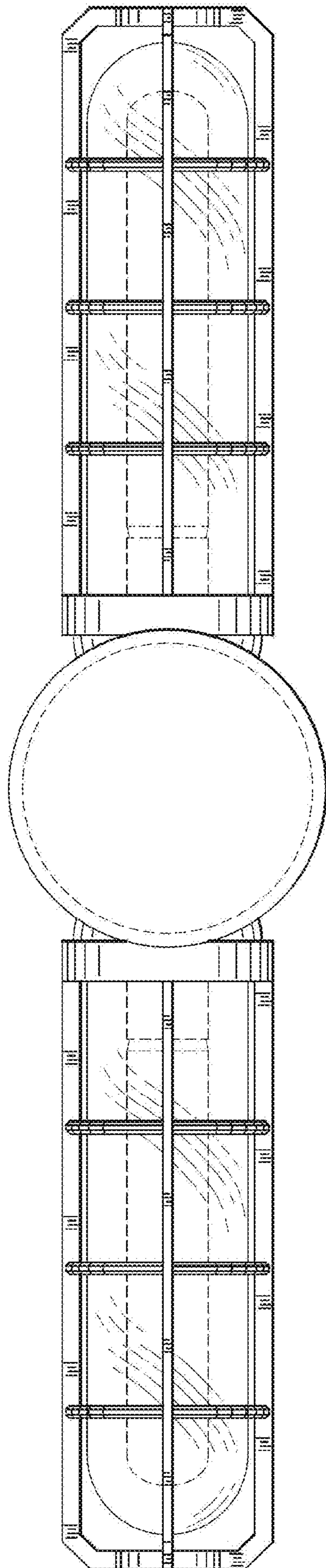


FIG. 5

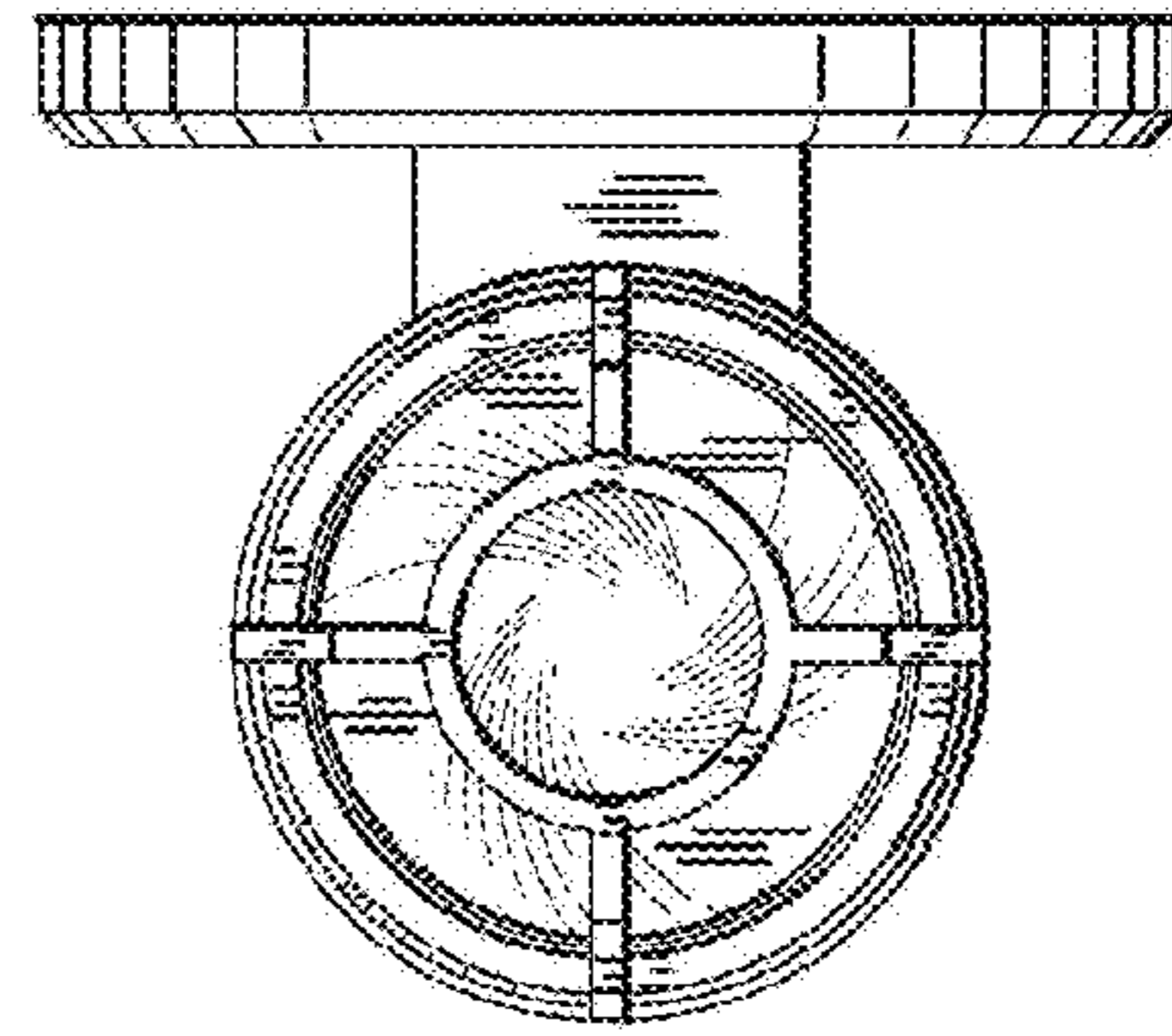


FIG. 6

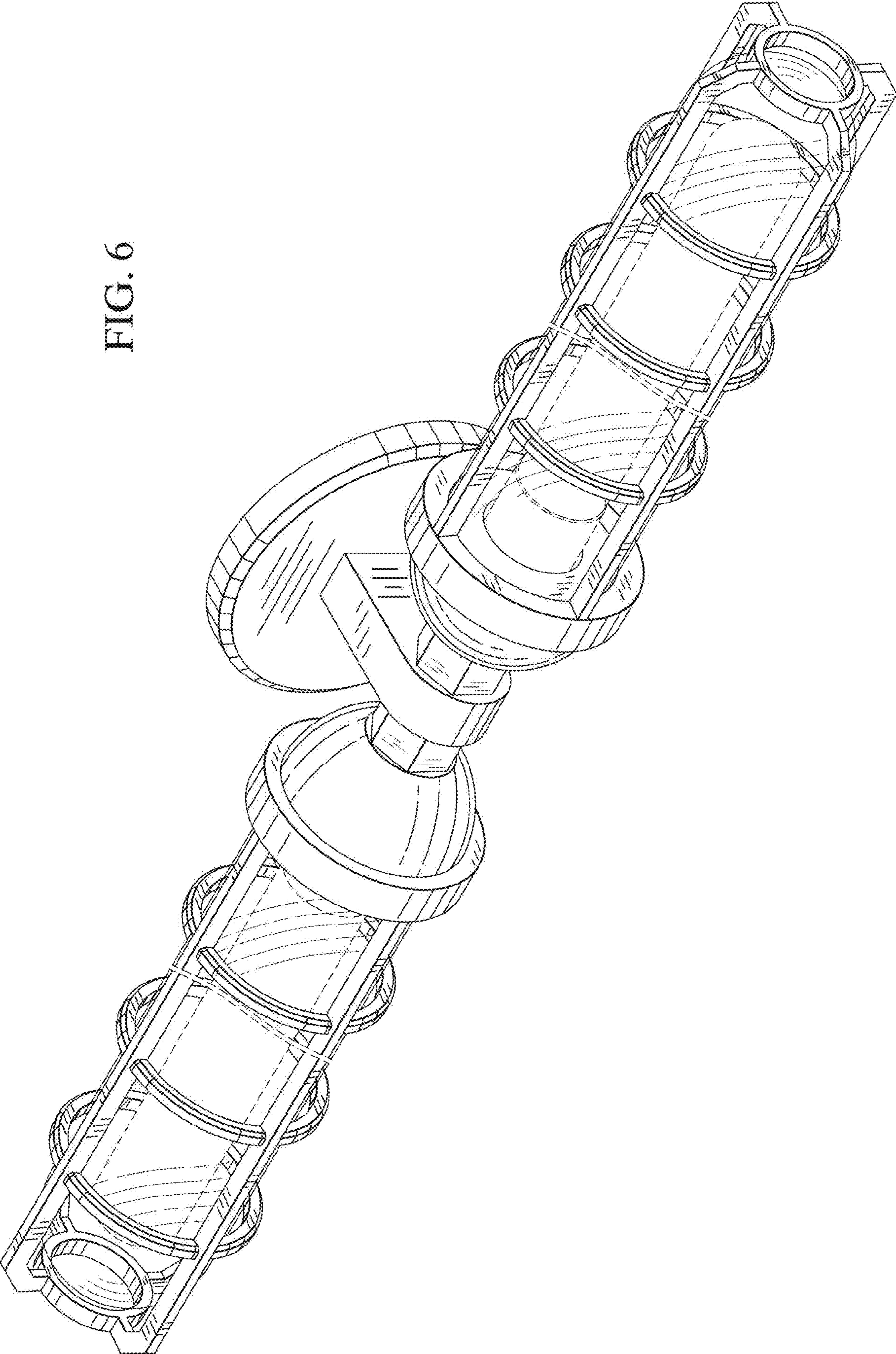


FIG. 7

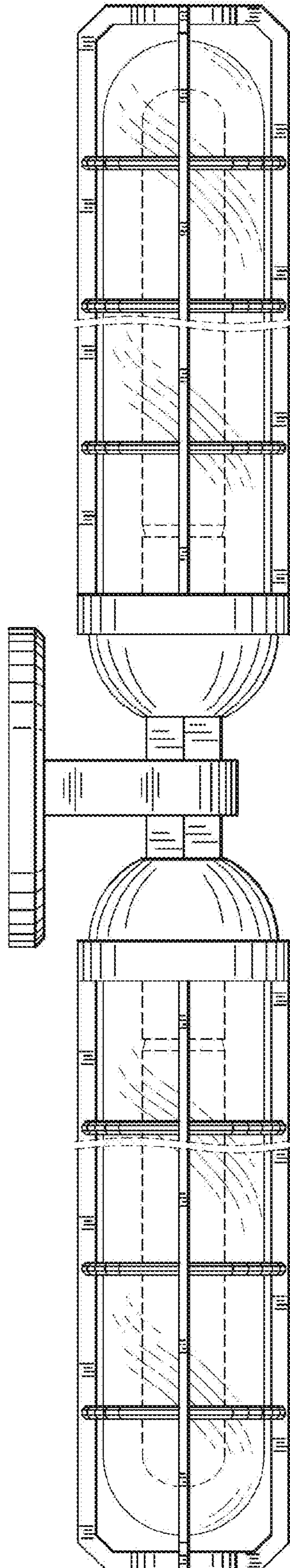


FIG. 8

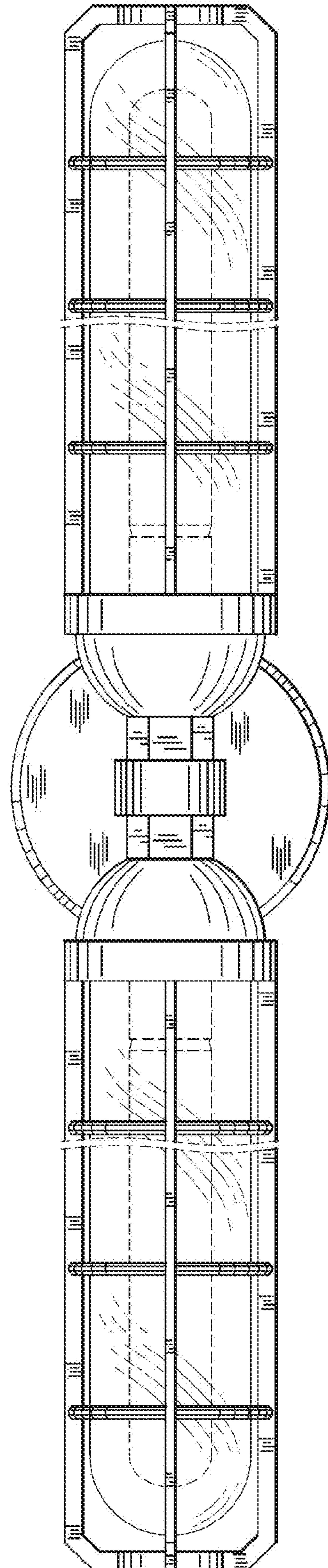


FIG. 9

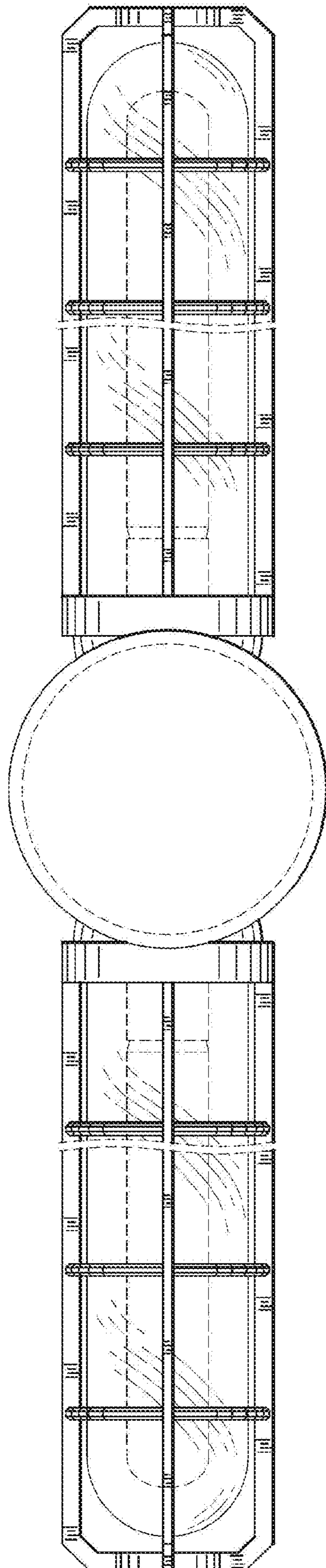


FIG. 10

