

US00D940375S

(12) **United States Design Patent** (10) **Patent No.:** **US D940,375 S**
DiFelice et al. (45) **Date of Patent:** **** Jan. 4, 2022**

(54) **WALL MOUNTED LUMINAIRE WITH CONTINUOUS LENS**
(71) Applicant: **Signify Holding B.V.**, Eindhoven (NL)
(72) Inventors: **Eric Tyler DiFelice**, Aurora, CO (US); **Alexander James Ross**, Aurora, CO (US)
(73) Assignee: **SIGNIFY HOLDING B.V.**, Eindhoven (NL)
(**) Term: **15 Years**
(21) Appl. No.: **29/691,531**
(22) Filed: **May 16, 2019**
(51) **LOC (13) Cl.** **26-04**
(52) **U.S. Cl.** **D26/76; D26/72**
USPC **D26/76; D26/72**
(58) **Field of Classification Search**
USPC ... D26/24–27, 60–69, 72, 74–78, 80–83, 85, D26/86, 89, 93, 104, 106, 108–115, 118, D26/120; D10/111–115
CPC F21S 8/00; F21S 8/03; F21S 8/04; F21S 8/026; F21S 8/046; F21S 8/088; F21V 15/00; F21V 15/01
See application file for complete search history.

(56) **References Cited**

U.S. PATENT DOCUMENTS

D206,286 S * 11/1966 Ostyn D26/76
3,836,764 A * 9/1974 Szer F21V 15/01
362/355
D527,131 S * 8/2006 McCarthy, III D26/63
D608,487 S * 1/2010 Pei D26/76
D663,065 S * 7/2012 Beghelli D26/76
D695,443 S * 12/2013 Kaule D26/76
D695,943 S * 12/2013 Duquette D26/87
D735,392 S * 7/2015 Ng D26/76
D783,881 S * 4/2017 Hollander D26/85

(Continued)

FOREIGN PATENT DOCUMENTS

CN 300722816 * 12/2007
IN 231561-0001 * 7/2011
RU 00100209 * 10/2016

OTHER PUBLICATIONS

“GE Slimline 14in. Fluorescent Light Fixture,” Sep. 16, 2008, amazon.com, site visited Oct. 9, 2020, URL: amhttps://www.amazon.com/GE-Fluorescent-Flicker-Free-Electronic-10168/dp/B001ET6D8O/ref=sr_1_1?crid=2A54EQWUJ9SDP&dchild=1&keywords=ge+14+inch+slimline+fluorescent+fixtur (Year: 2008).*

(Continued)

Primary Examiner — Eric L Goodman
Assistant Examiner — Sarah L Smith
(74) *Attorney, Agent, or Firm* — Daniel J. Piotrowski

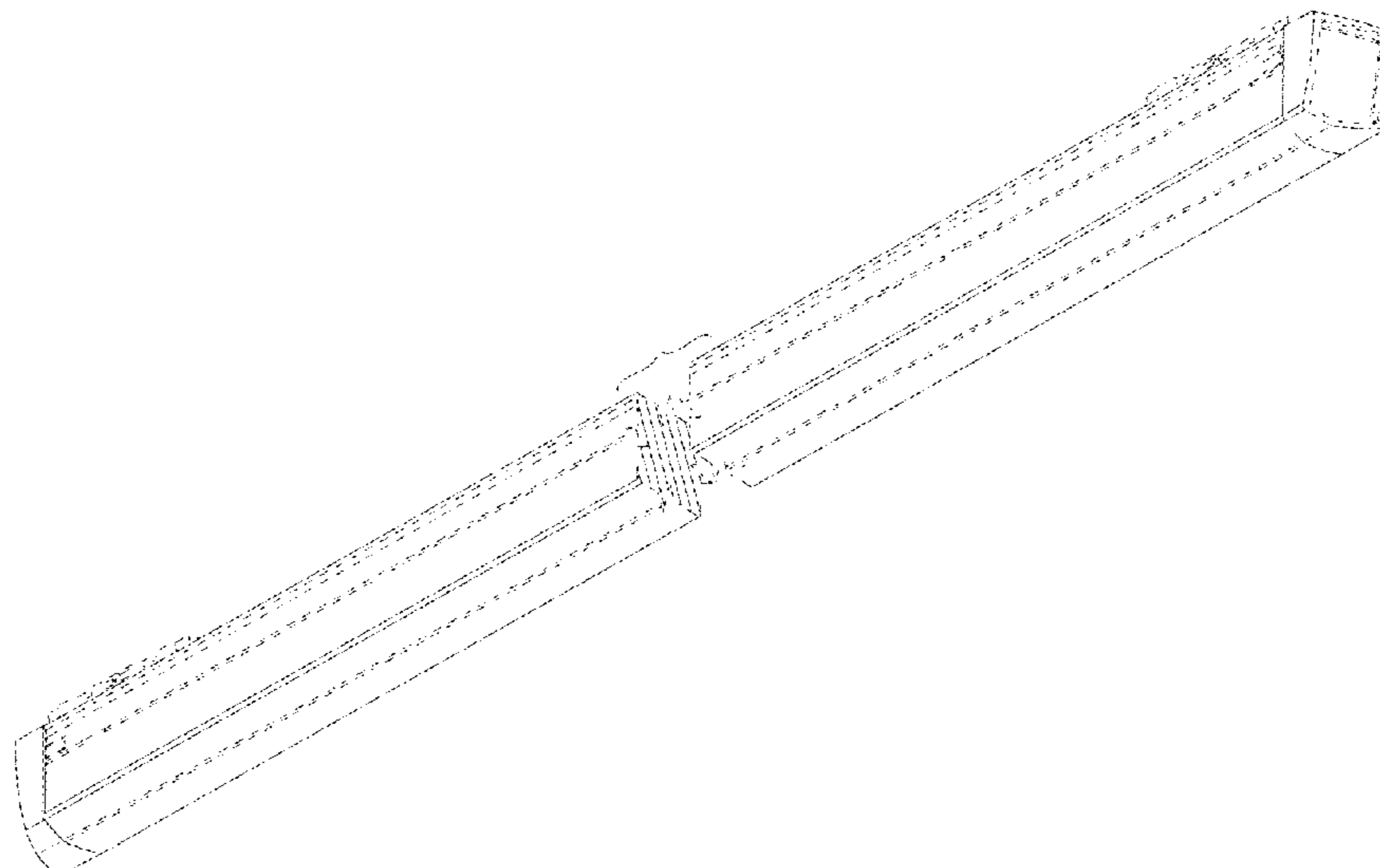
(57) **CLAIM**

The ornamental design for a wall mounted luminaire with continuous lens, as shown and described.

DESCRIPTION

FIG. 1 is a top perspective view of a wall mounted luminaire with continuous lens, showing our new design;
FIG. 2 is a bottom perspective view thereof;
FIG. 3 is a front elevation view thereof;
FIG. 4 is a back elevation view thereof;
FIG. 5 is a top plan view thereof;
FIG. 6 is a bottom view thereof;
FIG. 7 is a left side view thereof; and,
FIG. 8 is a right side view thereof.
The broken lines shown in the figures illustrate portions of the wall mounted luminaire with continuous lens that form no part of the claimed design.
The wall mounted luminaire with continuous lens is shown with a symbolic break in its length. The appearance of any portion of the article between the break lines forms no part of the claimed design.

1 Claim, 3 Drawing Sheets



(56)

References Cited

U.S. PATENT DOCUMENTS

D795,486 S * 8/2017 Goltche D26/74
9,752,754 B2 9/2017 Trincia et al.
D808,059 S * 1/2018 Li D26/76
D866,846 S * 11/2019 Cho D26/113

OTHER PUBLICATIONS

“Goolsun 4FT Linkable LED,” Jun. 24, 2018, amazon.com, site visited Oct. 9, 2020, URL: https://www.amazon.com/GOOLSUN-Wraparound-Flushmount-Fluorescent-Replacement/dp/B07DZ9C8G3/ref=sr_1_1_sspa?dchild=1&keywords=goolsun%2B4ft%2Blinkable%2Bled&qid=1602251409&sr=8-1-spons&spLa=ZW5jcml (Year: 2018).*

* cited by examiner

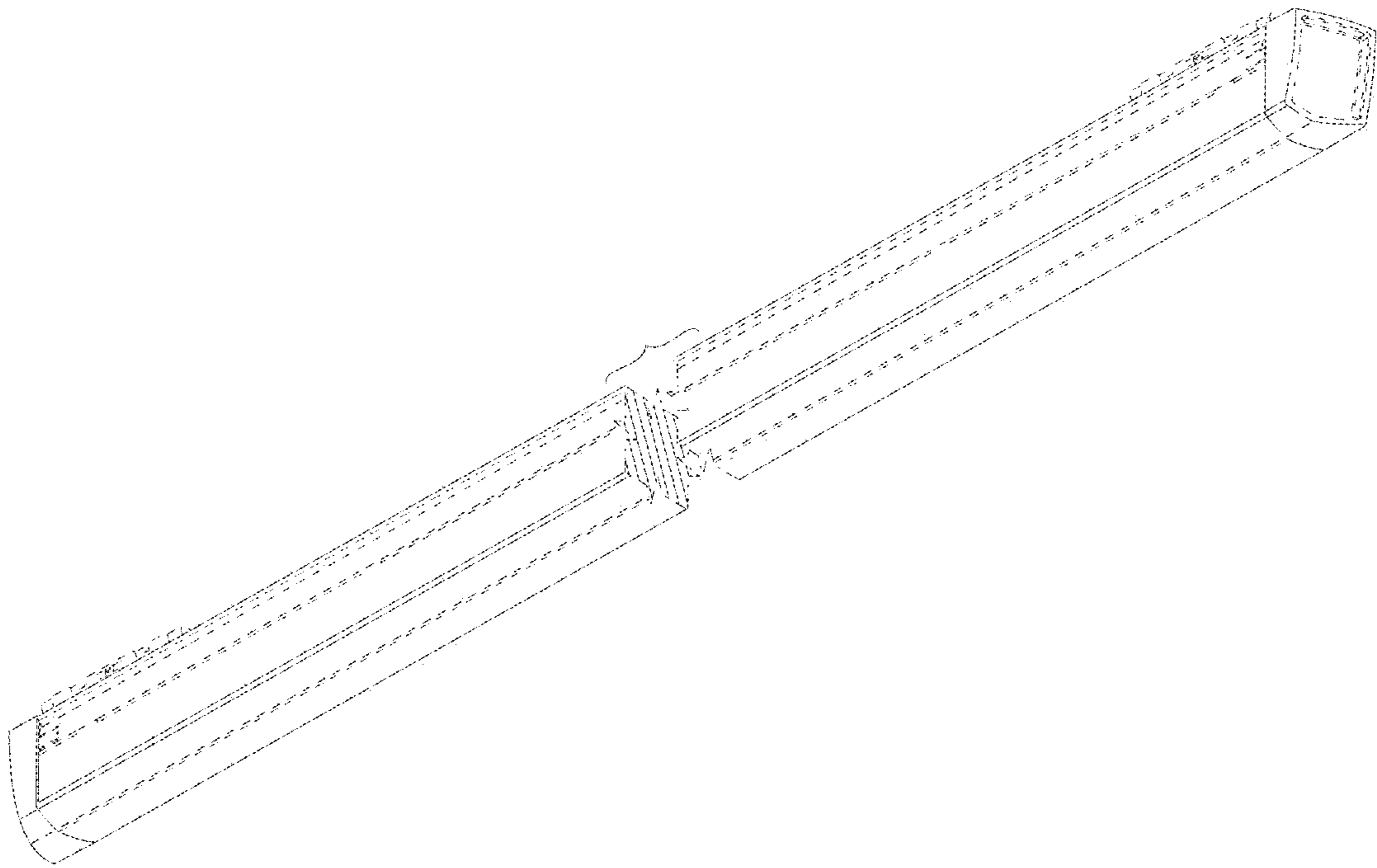


FIG. 1

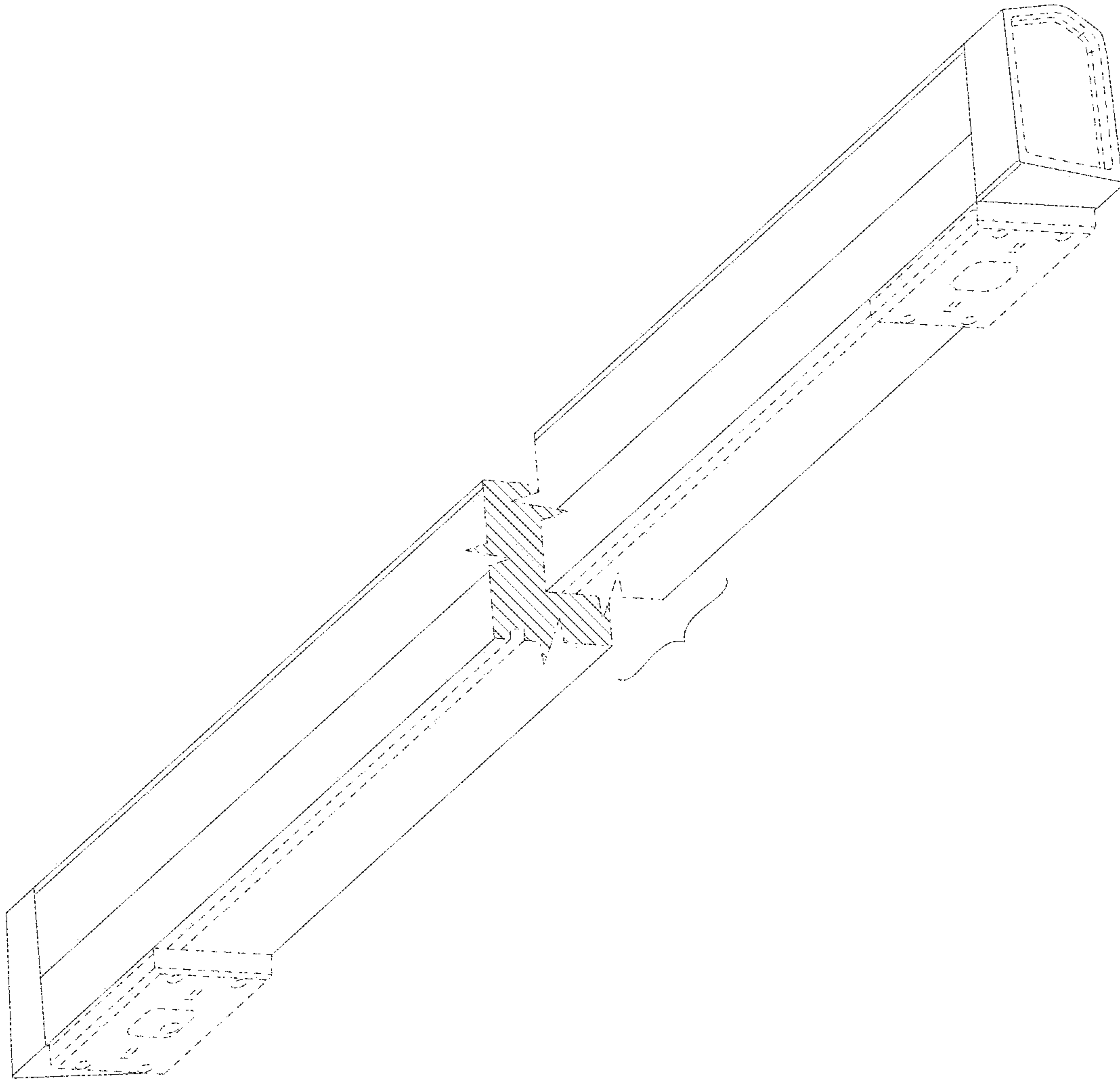


FIG. 2



FIG. 3

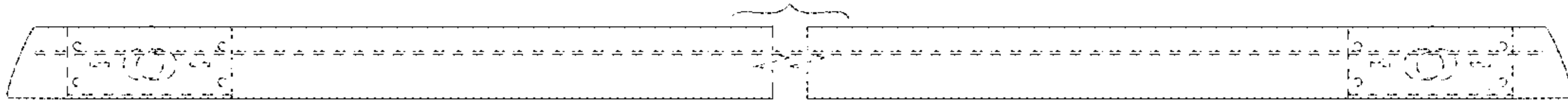


FIG. 4

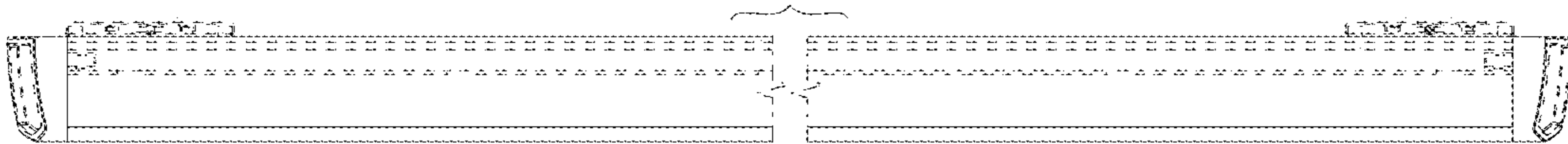


FIG. 5

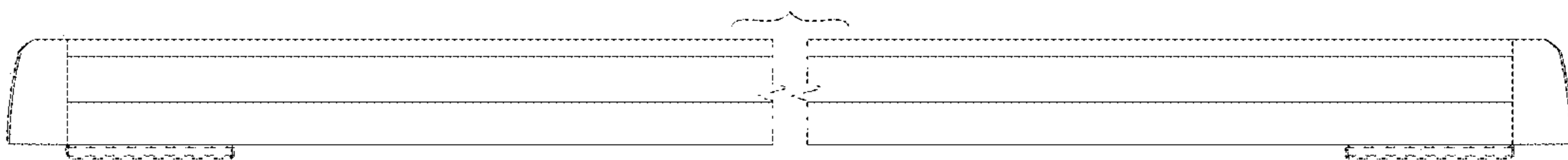


FIG. 6

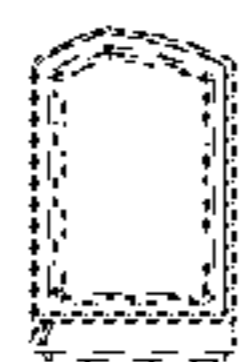


FIG. 7

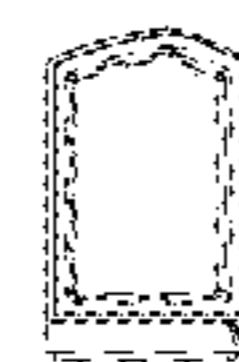


FIG. 8