



US00D940374S

(12) **United States Design Patent** (10) **Patent No.:** **US D940,374 S**  
**Chen** (45) **Date of Patent:** **\*\* Jan. 4, 2022**

(54) **LED DECK LIGHT**  
(71) Applicant: **Pengfei Chen**, Qichun County (CN)  
(72) Inventor: **Pengfei Chen**, Qichun County (CN)  
(\*\*) Term: **15 Years**  
(21) Appl. No.: **29/753,572**

D562,489 S \* 2/2008 Rashidi ..... D26/118  
D609,840 S \* 2/2010 Tang ..... D26/74  
D665,117 S \* 8/2012 Yoshida ..... D26/74  
D668,372 S \* 10/2012 Renshaw ..... D26/74  
D698,071 S \* 1/2014 Messiaen ..... D26/74  
D726,950 S \* 4/2015 Serwacki ..... D26/74  
D767,809 S \* 9/2016 Gotz-Schafer ..... D26/74  
D772,466 S \* 11/2016 Li ..... D26/74  
D808,058 S \* 1/2018 Johnson ..... D26/74  
D816,256 S \* 4/2018 Benghozi ..... D26/74  
D866,040 S \* 11/2019 Wu ..... D26/74

(22) Filed: **Oct. 1, 2020**  
(51) **LOC (13) Cl.** ..... **26-05**  
(52) **U.S. Cl.**  
USPC ..... **D26/74**  
(58) **Field of Classification Search**  
USPC ..... D26/74, 72, 75, 76, 77, 78, 85, 88, 89,  
D26/118, 138, 141; 362/364, 365, 373,  
362/145, 146, 147, 148, 150, 153, 153.1,  
362/294, 296.01, 296.07, 296.08  
CPC ..... F21V 29/2262; F21V 7/06; F21V 21/044;  
F21V 21/047; F21V 29/2212; F21V  
29/2225; F21V 29/2256; F21V 29/225;  
F21V 29/2268; F21Y 2111/002; F21S  
8/02; F21S 8/026  
See application file for complete search history.

\* cited by examiner

*Primary Examiner* — Angela J Lee

(57) **CLAIM**

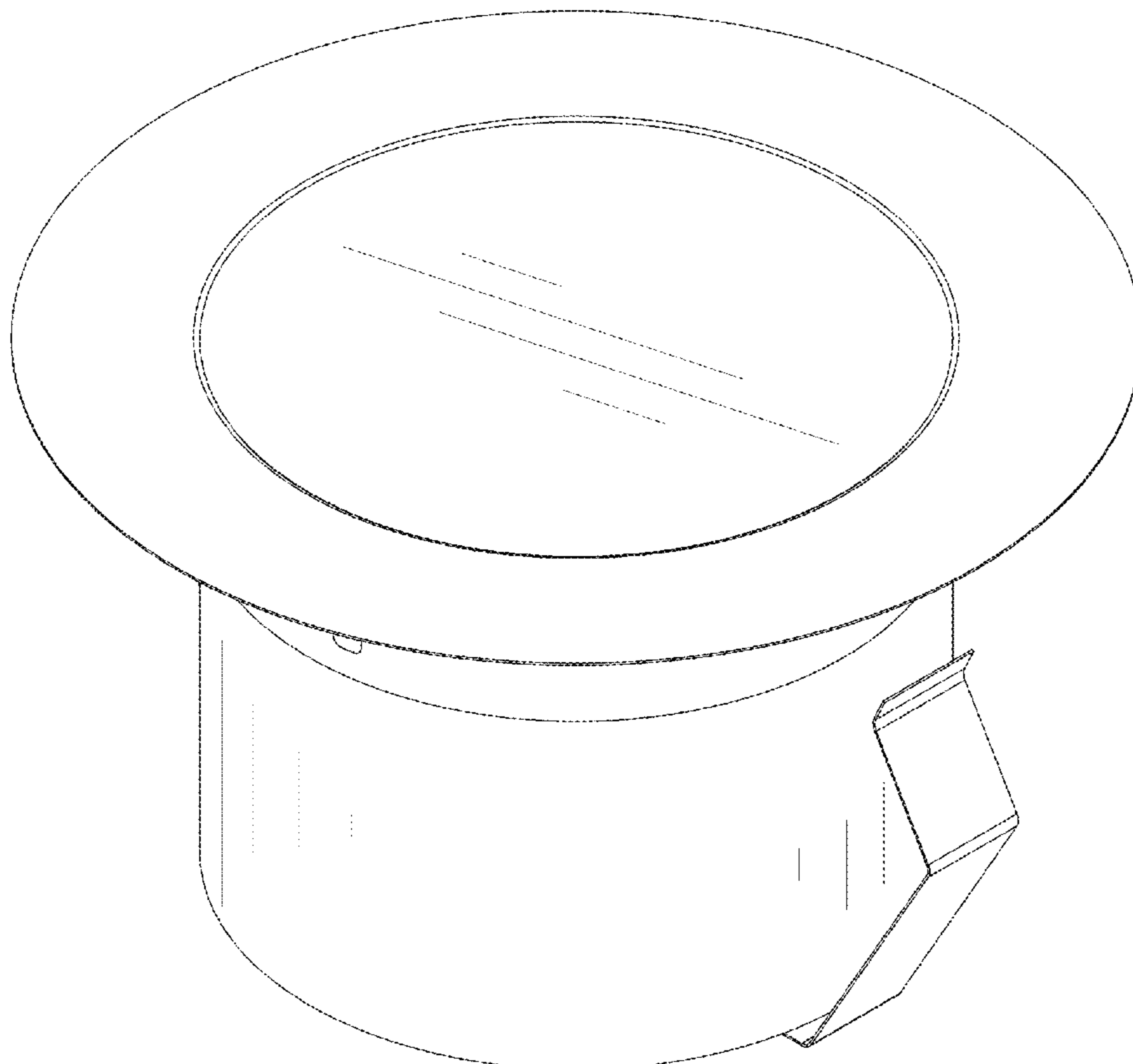
The ornamental design for a LED deck light, as shown and described.

**DESCRIPTION**

FIG. 1 is a front, top perspective view of the LED deck light showing my new design;  
FIG. 2 is a rear, bottom perspective view thereof;  
FIG. 3 is a front elevational view thereof;  
FIG. 4 is a rear elevational view thereof;  
FIG. 5 is a left side elevational view thereof;  
FIG. 6 is a right side elevational view thereof;  
FIG. 7 is a top plan view thereof; and,  
FIG. 8 is a bottom plan view thereof.  
The broken lines in the figures depict the portions of a LED deck light that form no part of the claimed design.

(56) **References Cited**  
U.S. PATENT DOCUMENTS  
D508,575 S 8/2005 Buschmann et al.  
D544,979 S \* 6/2007 Hartmann, Jr. .... D26/74

**1 Claim, 8 Drawing Sheets**



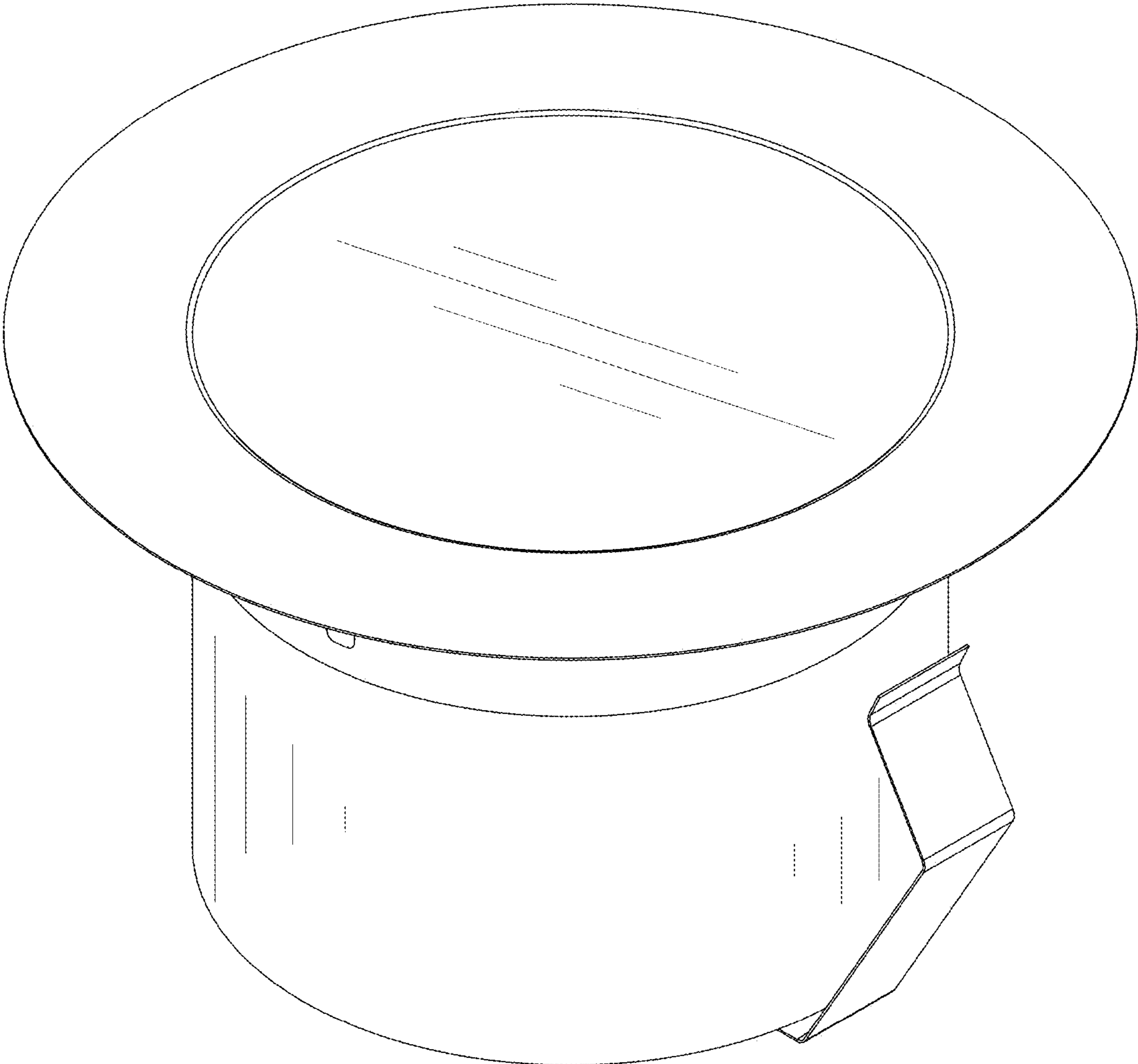


FIG. 1

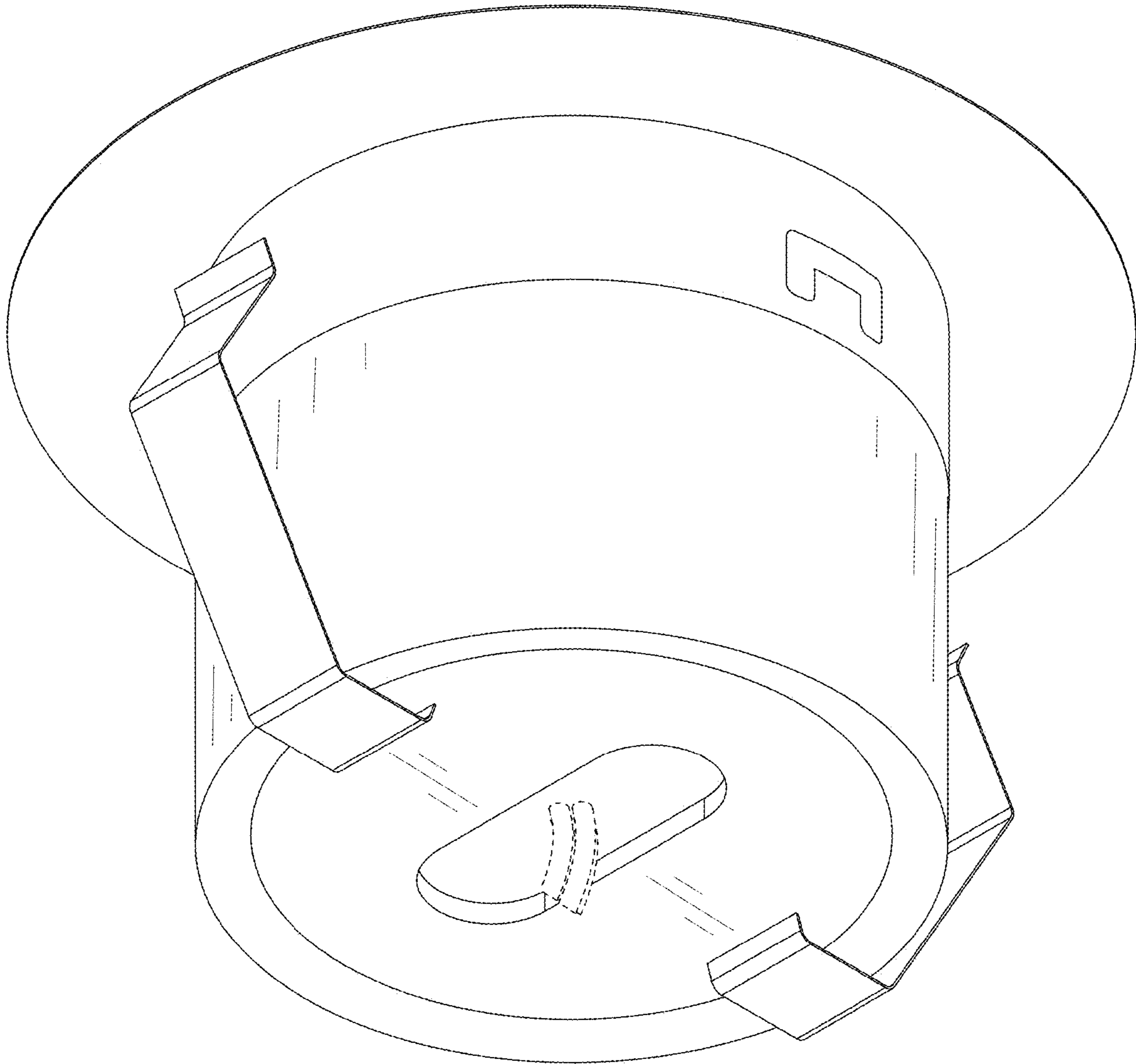


FIG. 2

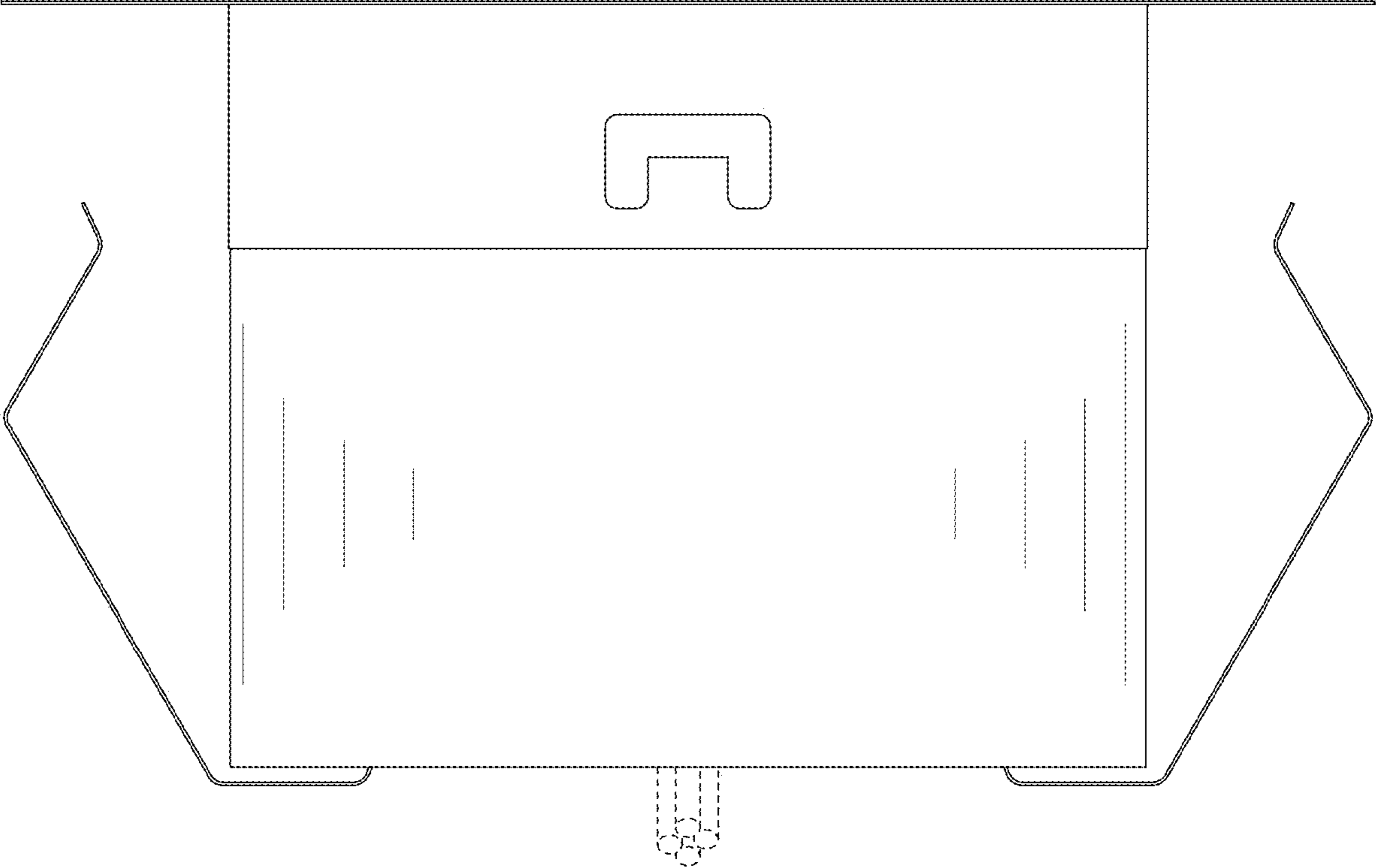


FIG. 3

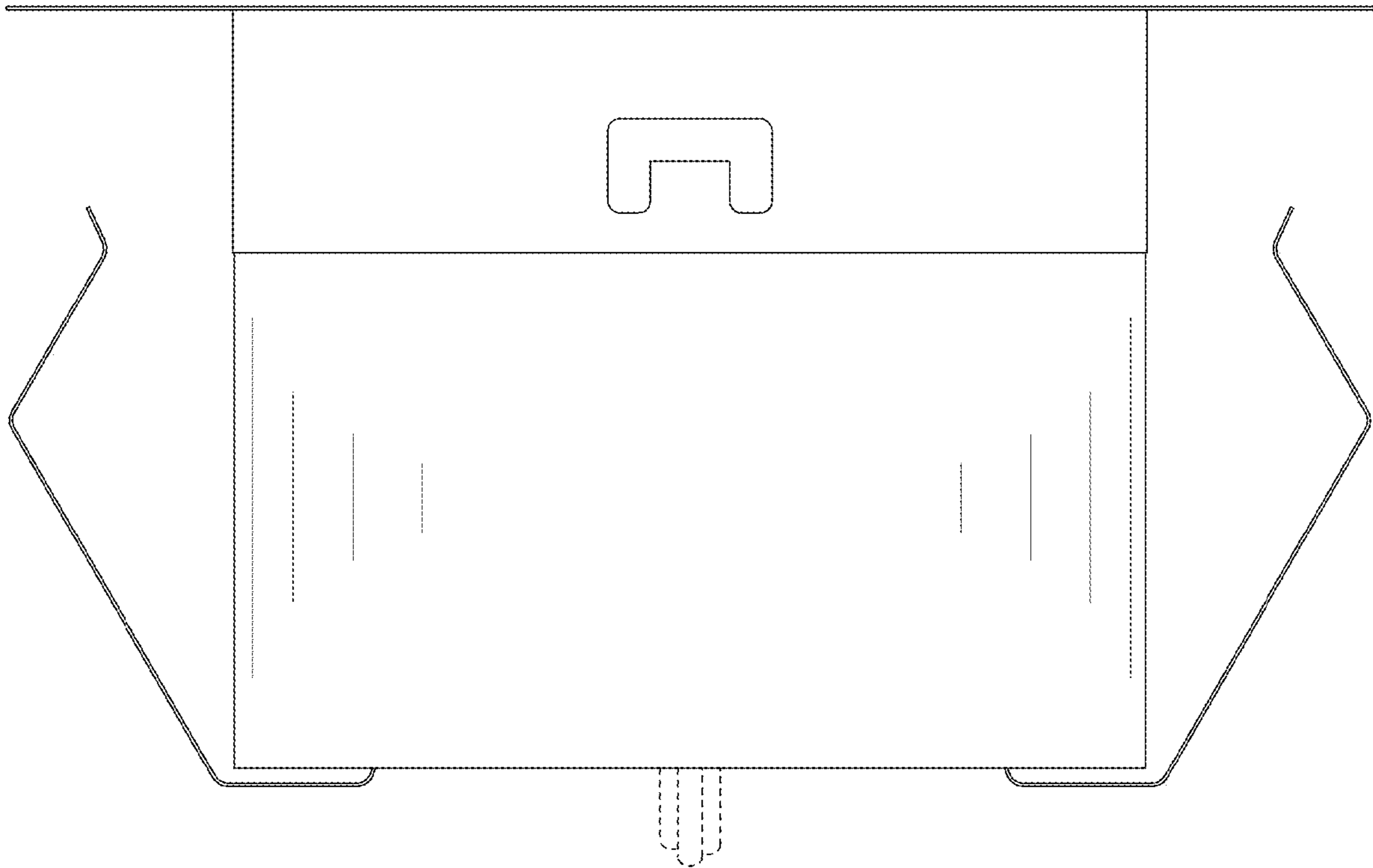


FIG. 4

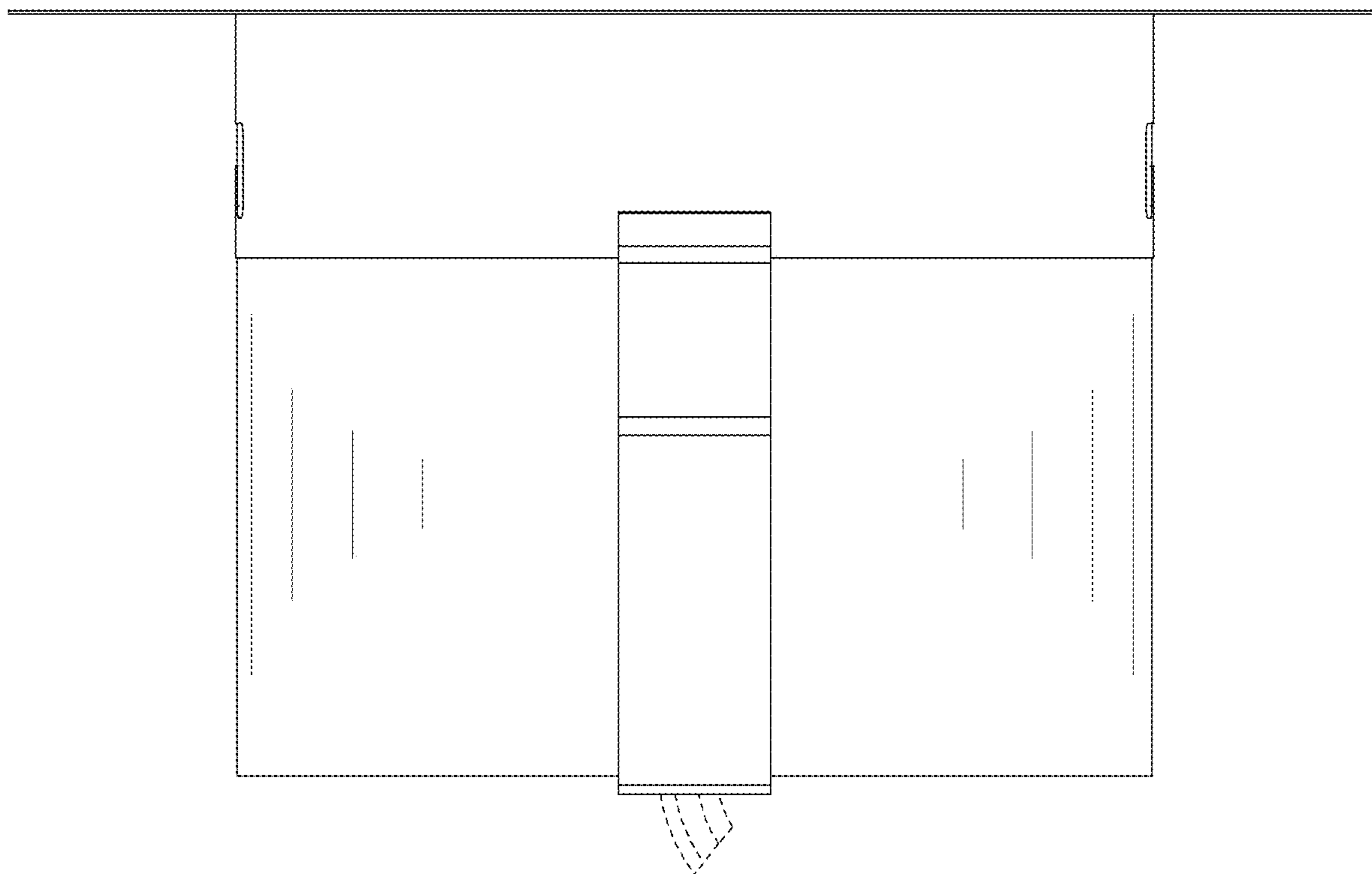


FIG. 5

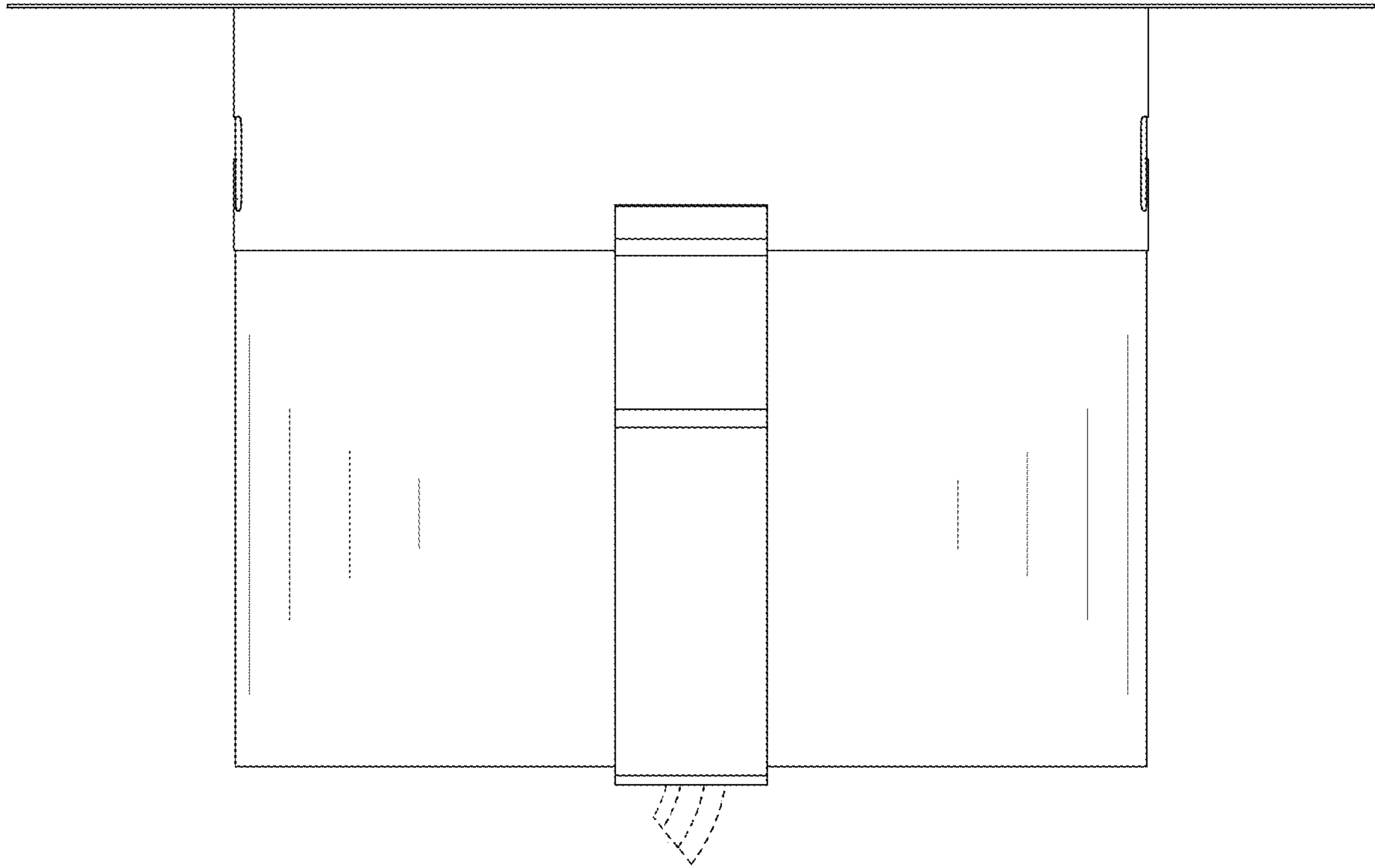


FIG. 6

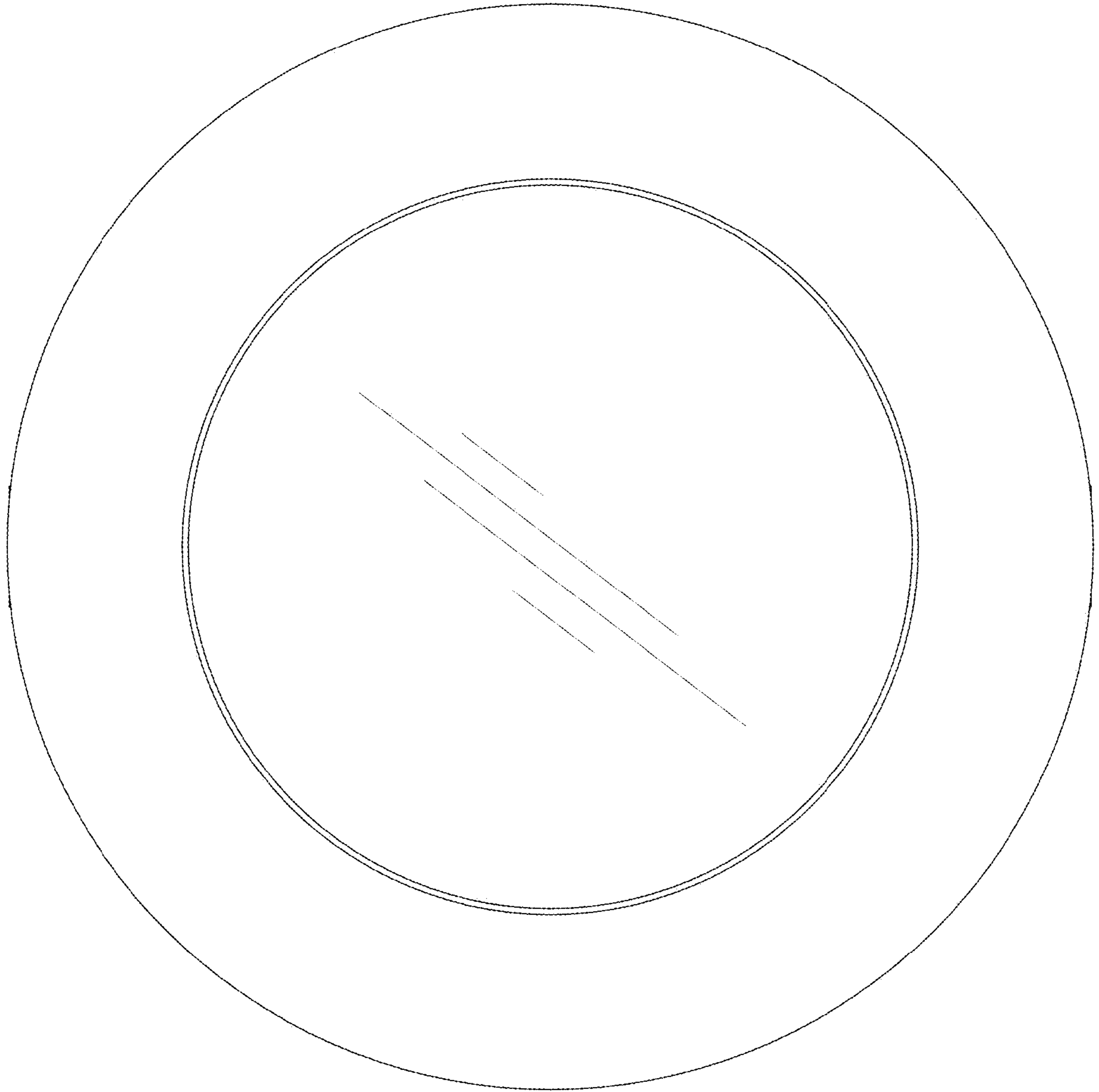


FIG. 7



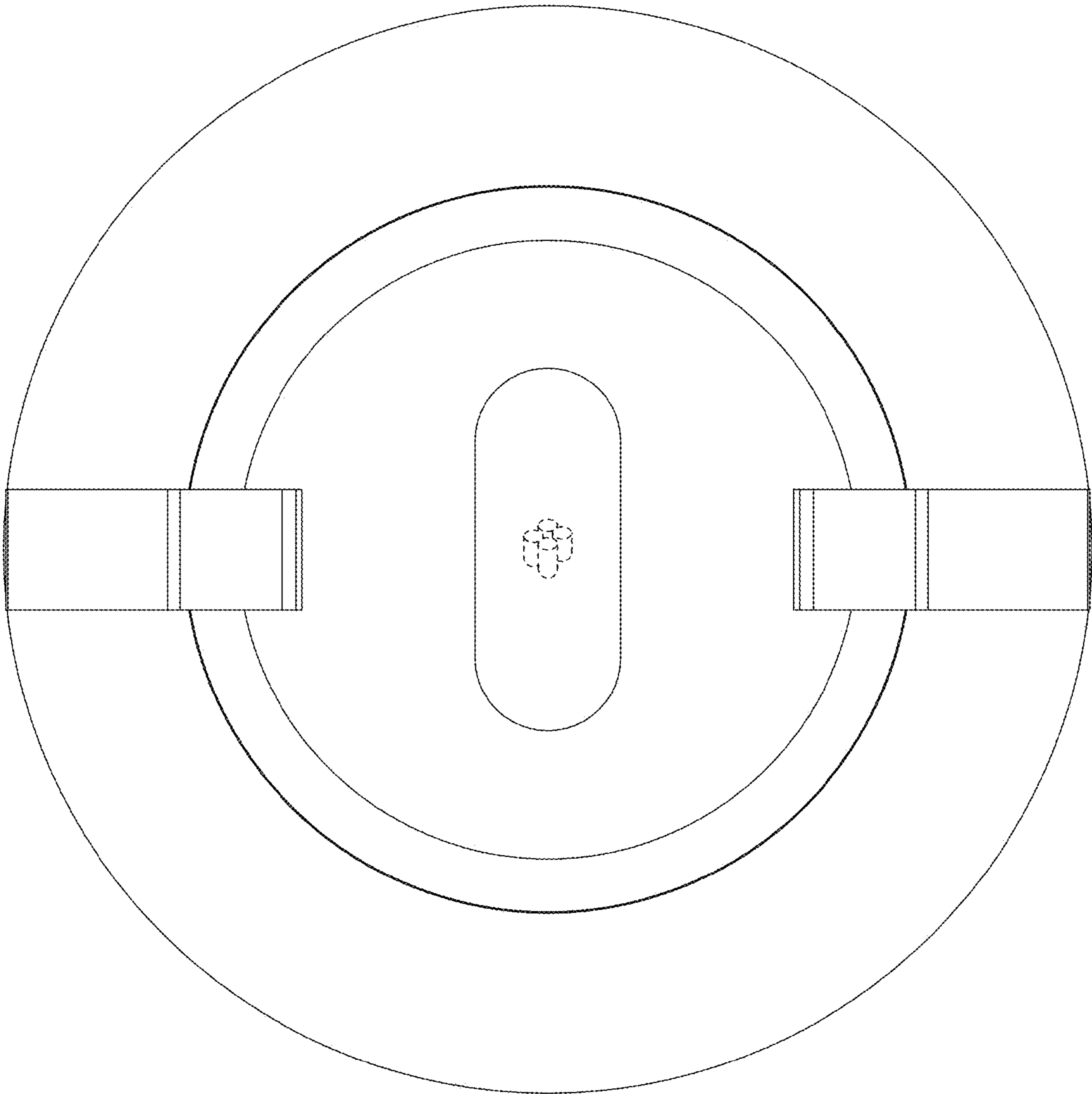


FIG. 8