



US00D940373S

(12) **United States Design Patent**
Recker et al.

(10) **Patent No.:** **US D940,373 S**
(45) **Date of Patent:** **** Jan. 4, 2022**

(54) **STEP LIGHT**

(71) Applicant: **Amazon Technologies, Inc.**, Seattle, WA (US)

(72) Inventors: **Michael V. Recker**, Santa Monica, CA (US); **David Brett Levine**, Pepper Pike, OH (US); **Ryan David Hruska**, North Royalton, OH (US)

(73) Assignee: **Amazon Technologies, Inc.**, Seattle, WA (US)

(**) Term: **15 Years**

(21) Appl. No.: **29/712,102**

(22) Filed: **Nov. 5, 2019**

Related U.S. Application Data

(63) Continuation of application No. 29/659,129, filed on Aug. 6, 2018, now Pat. No. Des. 868,339, which is a continuation of application No. 29/611,134, filed on Jul. 19, 2017, now Pat. No. Des. 830,607.

(51) **LOC (13) Cl.** **26-05**

(52) **U.S. Cl.**
USPC **D26/72; D26/85**

(58) **Field of Classification Search**

USPC D26/72, 85, 92; D10/106.6, 106.8
CPC F21S 8/03; F21S 8/033; F21S 8/036; F21S 8/037; F21S 9/022; F21S 9/024; F21S 9/03; F21S 9/035; F21S 9/037; F21W 2131/107; G08B 13/193

See application file for complete search history.

(56) **References Cited**

U.S. PATENT DOCUMENTS

D211,820 S 7/1968 Pettengill
D339,079 S 9/1993 Behlke
D516,445 S 3/2006 DiPasquale
D564,688 S 3/2008 Korpi

D594,364 S 6/2009 Decker
D603,997 S 11/2009 Shiu
D639,984 S * 6/2011 Stolte D26/26
D684,718 S 6/2013 Ko
8,979,353 B2 3/2015 Wilson et al.
D728,144 S 4/2015 Recker et al.
D769,757 S 10/2016 Savage, Jr. et al.
9,618,193 B1 4/2017 Lord

(Continued)

FOREIGN PATENT DOCUMENTS

TW D147094 5/2012
TW D159376 3/2014
TW D171335 10/2015

OTHER PUBLICATIONS

ZISUYU Motion Sensor Light, ASIN: B08GJQDJ35 available at amazon.com Sep. 7, 2020. (Year: 2020).*

(Continued)

Primary Examiner — Clare E Heflin

(74) *Attorney, Agent, or Firm* — Lee & Hayes, P.C.

(57) **CLAIM**

The ornamental design for a step light, as shown and described.

DESCRIPTION

FIG. 1 is a front, right, bottom perspective view of a step light;

FIG. 2 is a back, left, top perspective view thereof;

FIG. 3 is a front elevation view thereof;

FIG. 4 is a back elevation view thereof;

FIG. 5 is a left side view thereof;

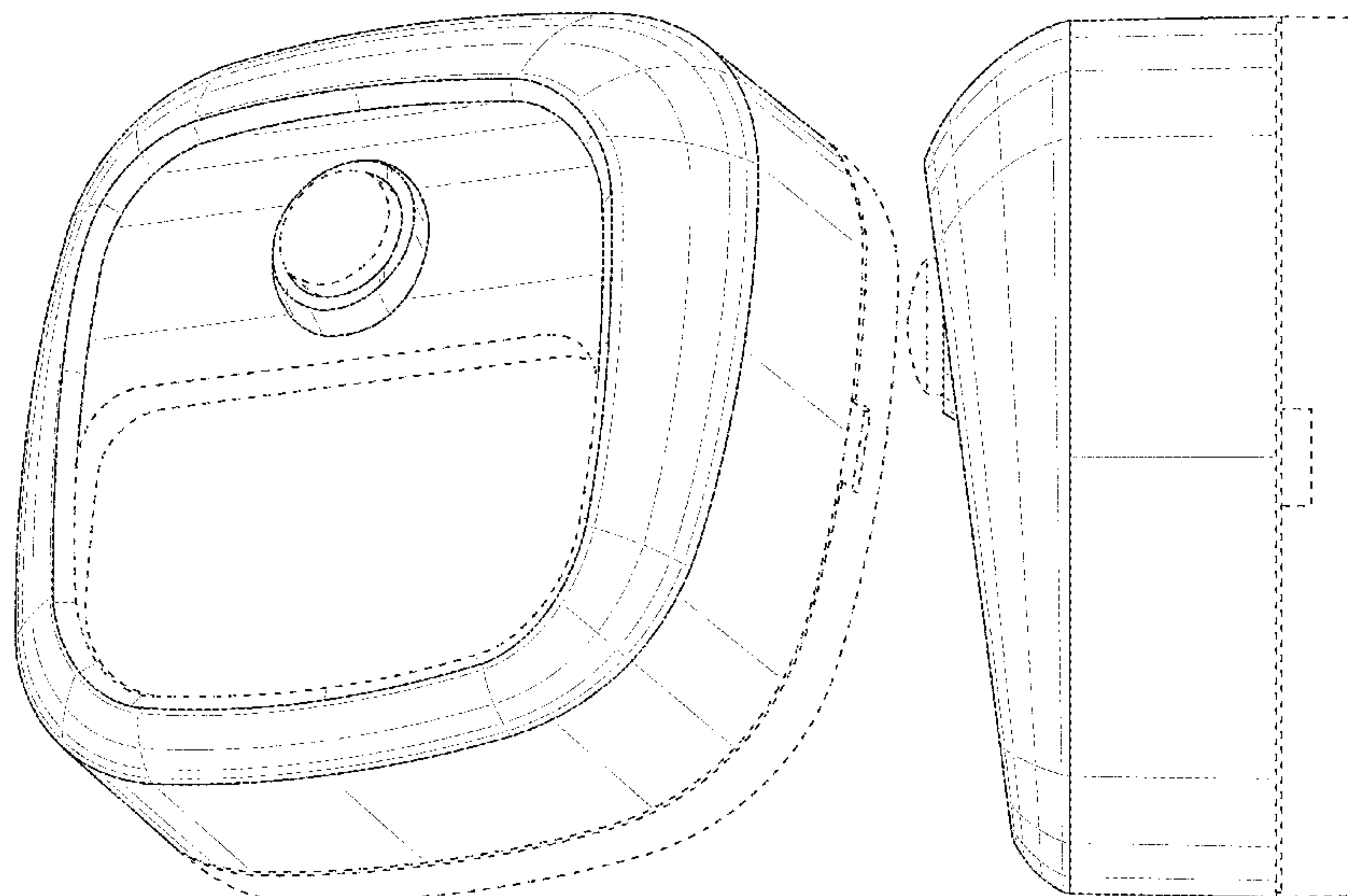
FIG. 6 is a right side view thereof;

FIG. 7 is a top plan view thereof; and,

FIG. 8 is a bottom plan view thereof.

The dashed broken lines depict portions of the step light that form no part of the claimed design.

1 Claim, 8 Drawing Sheets



(56)

References Cited

U.S. PATENT DOCUMENTS

9,797,581 B2 10/2017 Tang et al.
D829,359 S 9/2018 Zhang
D830,607 S * 10/2018 Recker D26/85
D835,323 S 12/2018 Fogg et al.
D849,987 S * 5/2019 Koerth D26/85
D851,807 S * 6/2019 Wu D26/85
D867,646 S * 11/2019 Flindt D26/85
D868,339 S * 11/2019 Recker D26/85
D891,675 S * 7/2020 Liu D26/85
D906,569 S * 12/2020 Wu D26/72
D921,954 S * 6/2021 Jiang D26/72
2017/0016601 A1 * 1/2017 Pouladian F21V 21/116
2019/0132933 A1 * 5/2019 Israni F21V 21/0824

OTHER PUBLICATIONS

Stick-on Motion Sensor Light sold by Acephily, ASIN: B082PYDZQ2 available at amazon.com Dec. 13, 2019. (Year: 2019).*

Intelligent Body Motion Sensor Night Light No. 229875401 at GearBest.com as early as Jan. 8, 2018. (Year: 2018) 3 pages.

The Korean Office Action dated Sep. 14, 2018 for Korean design application No. 30-2018-0003429, a counterpart foreign application of U.S. Design No. D830,607, 4 pages.

Mr. Beams MB530 Wireless Battery-Operated Motion Sensing Step/Stair Light. First available at amazon.com May 9, 2008. (Year: 2008) 11 pages.

* cited by examiner

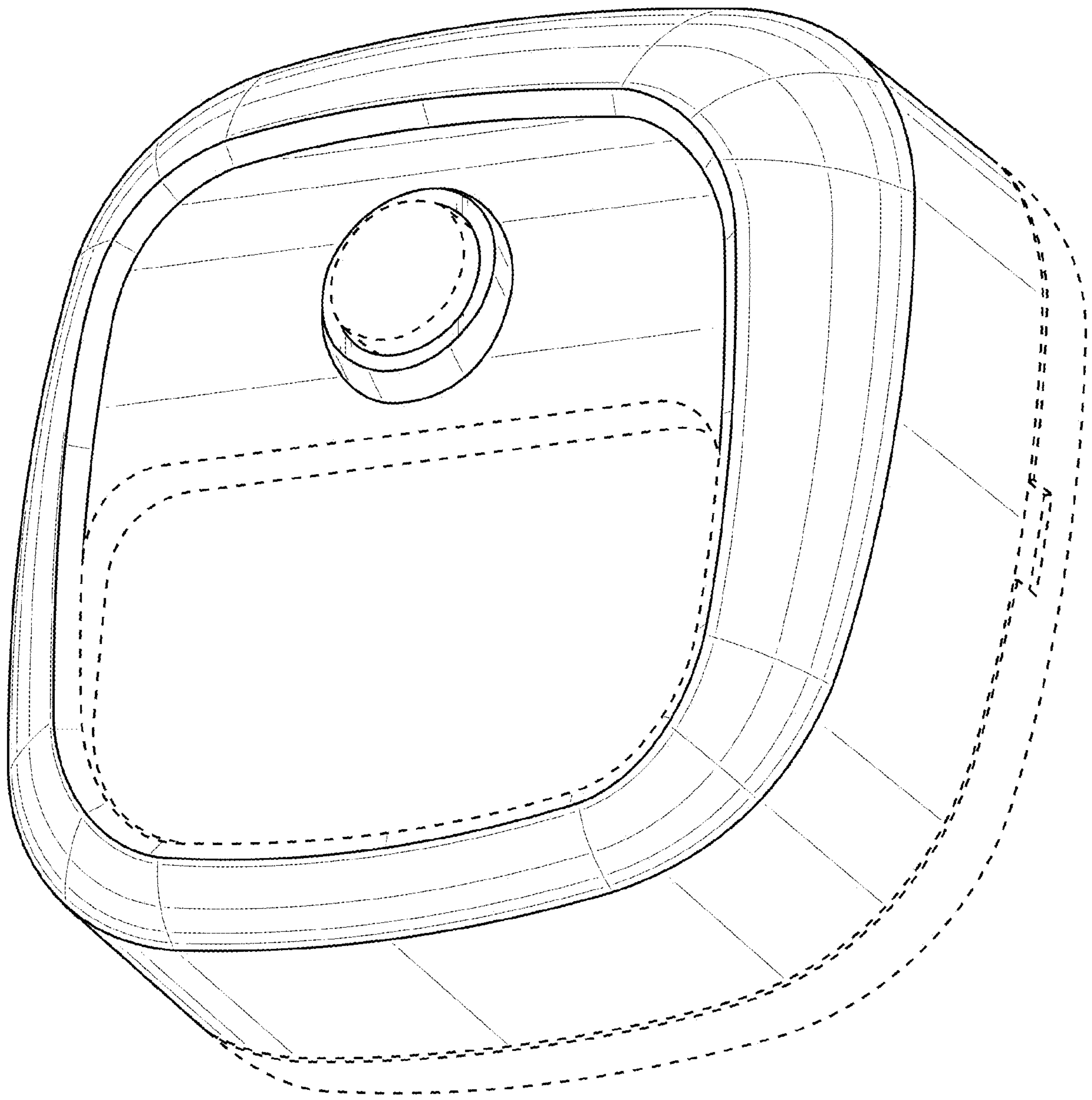


FIG. 1

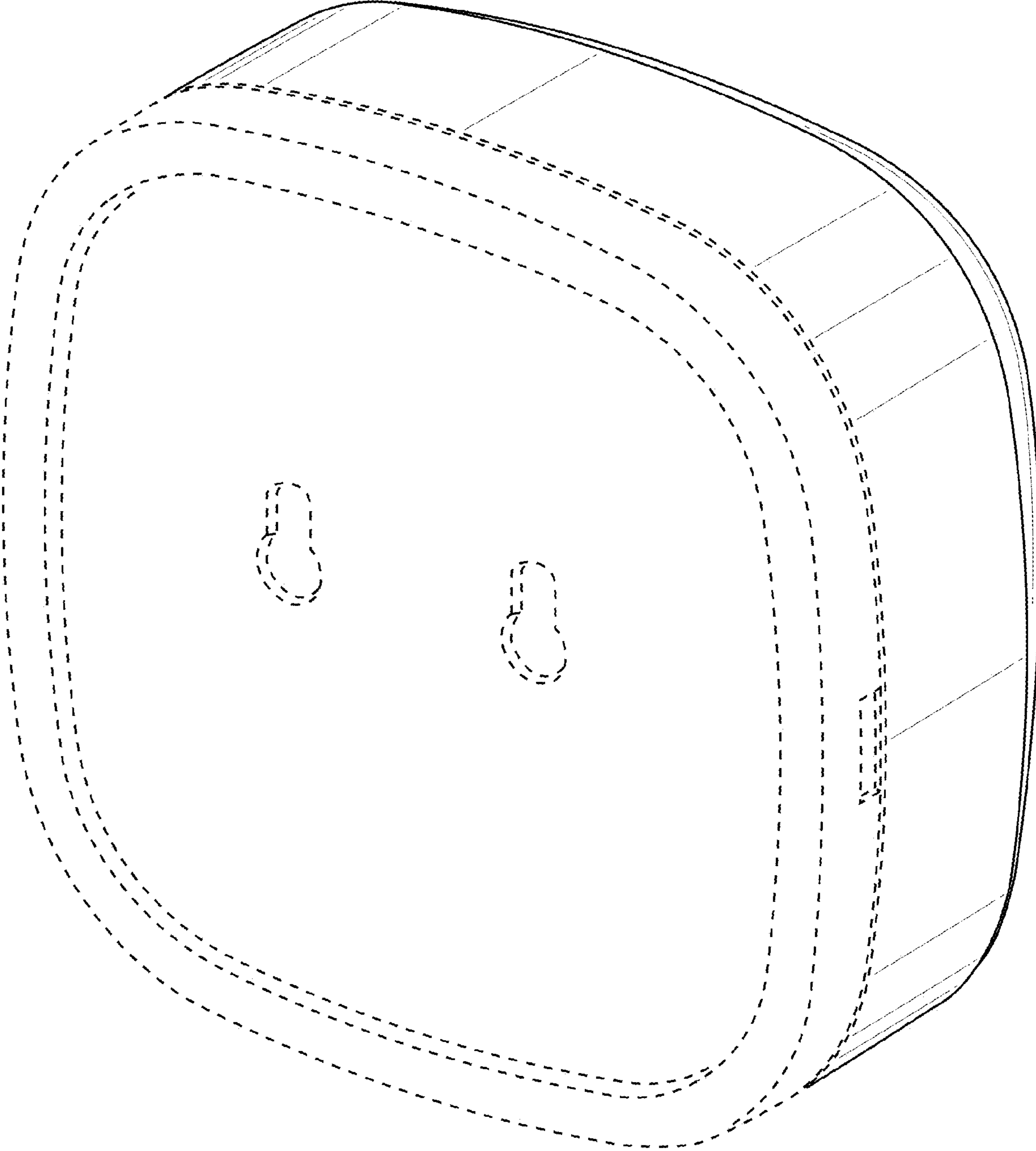


FIG. 2

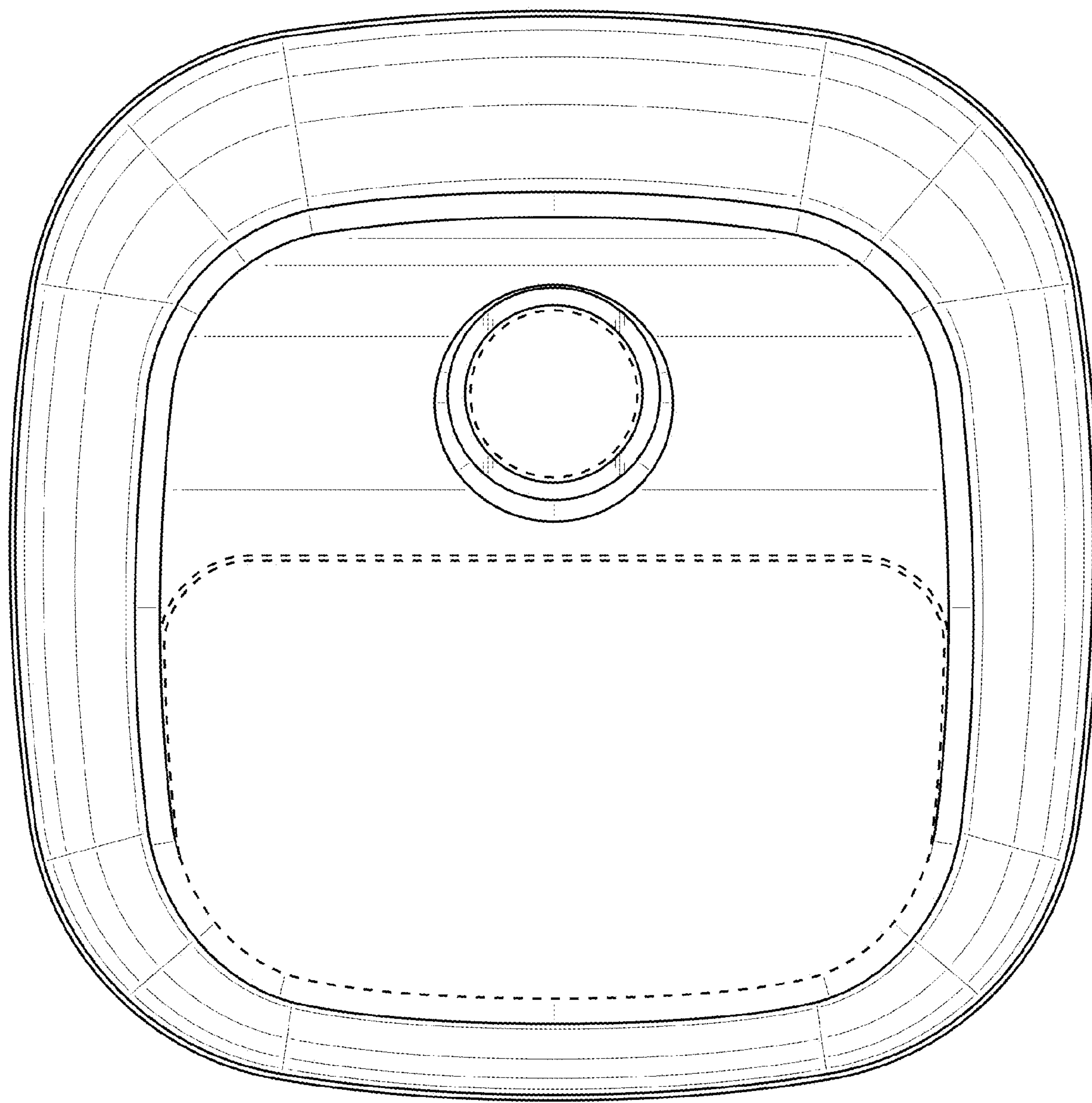


FIG. 3

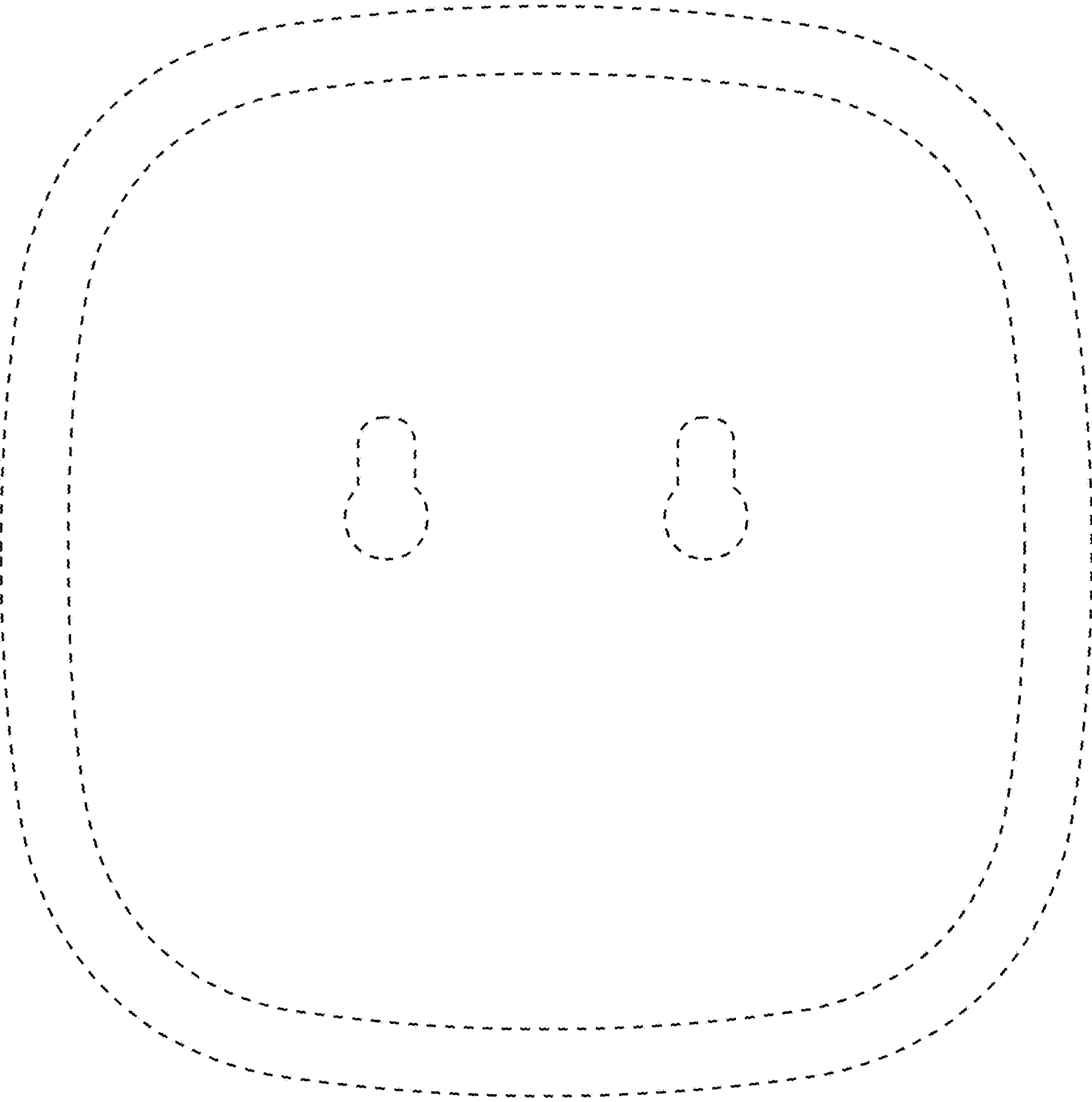


FIG. 4

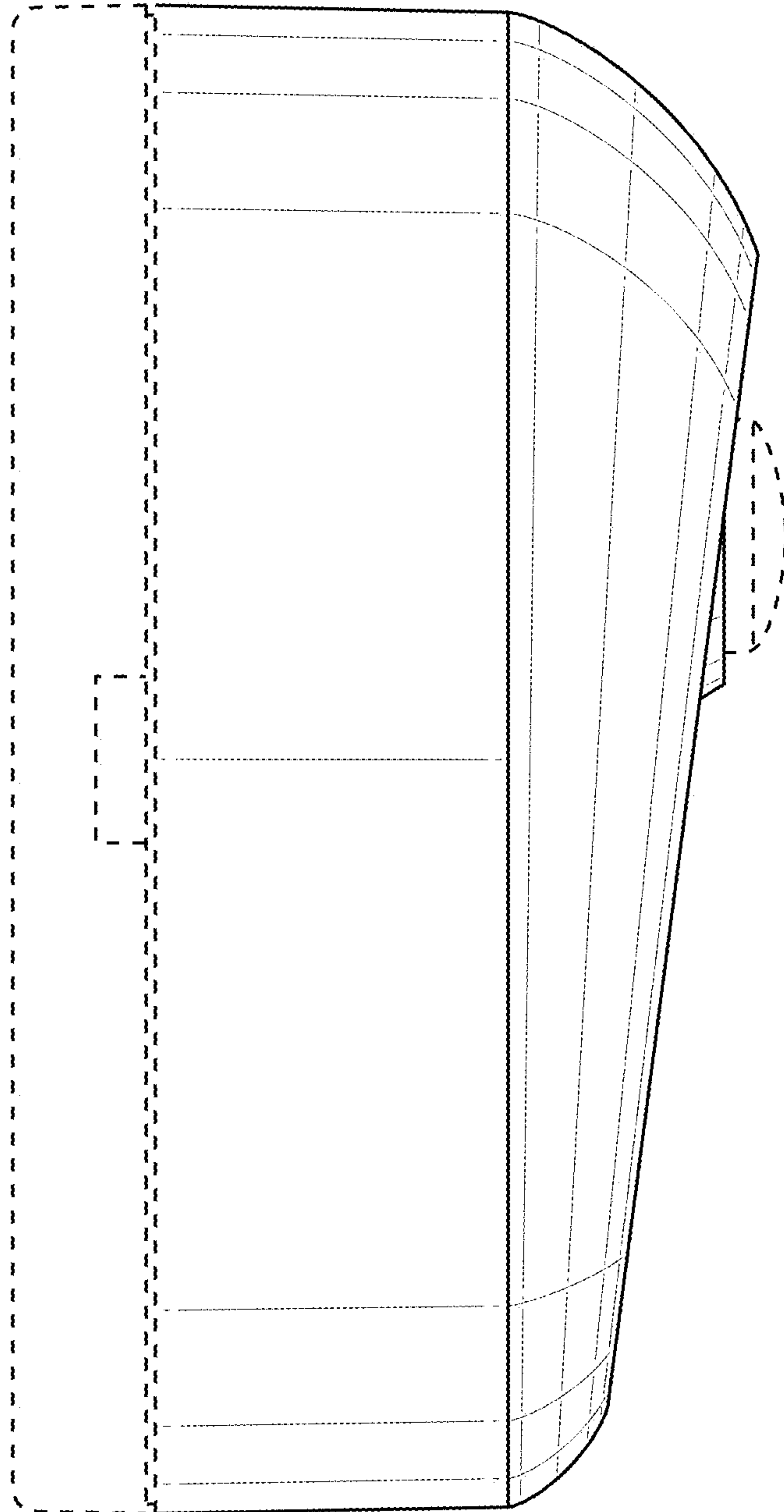


FIG. 5

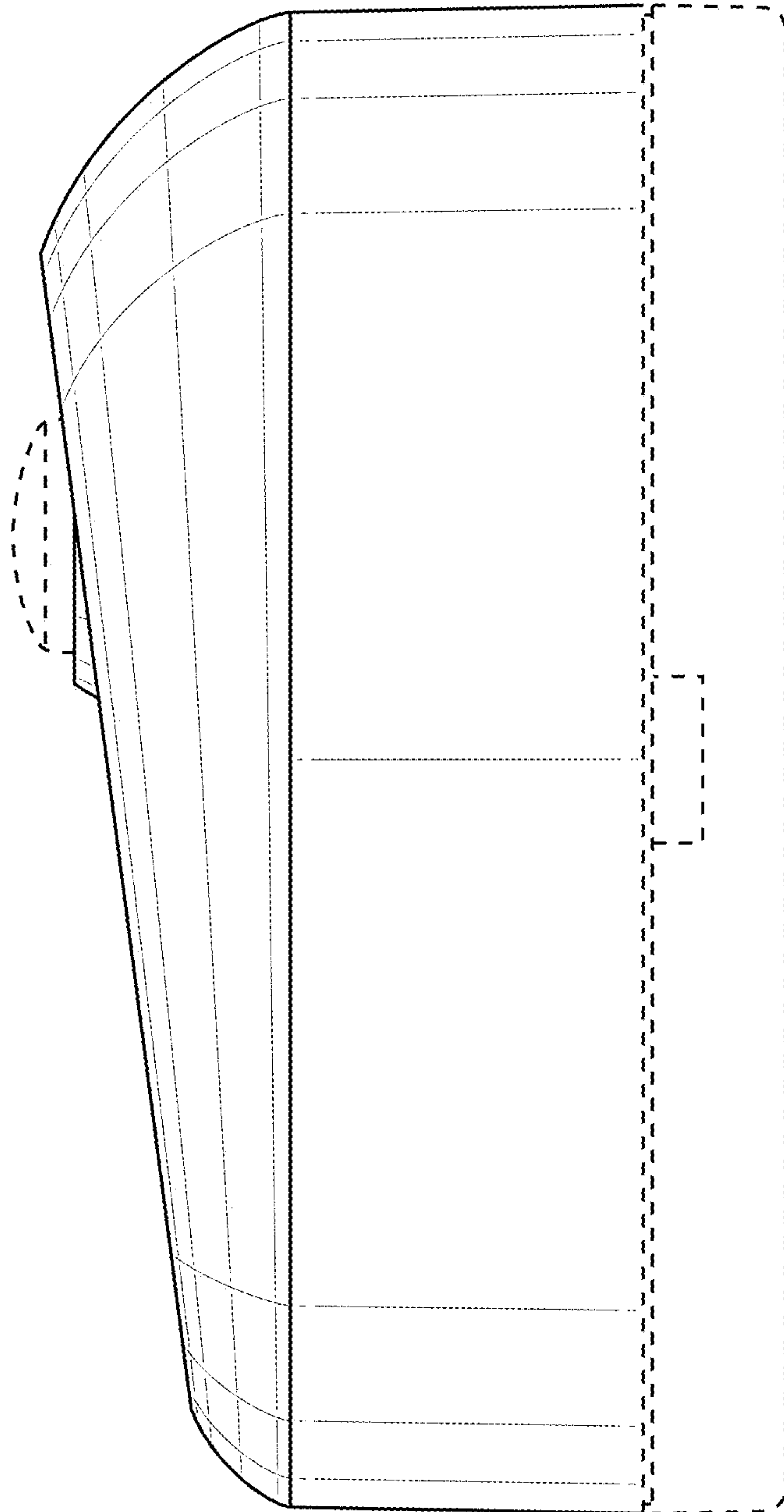


FIG. 6

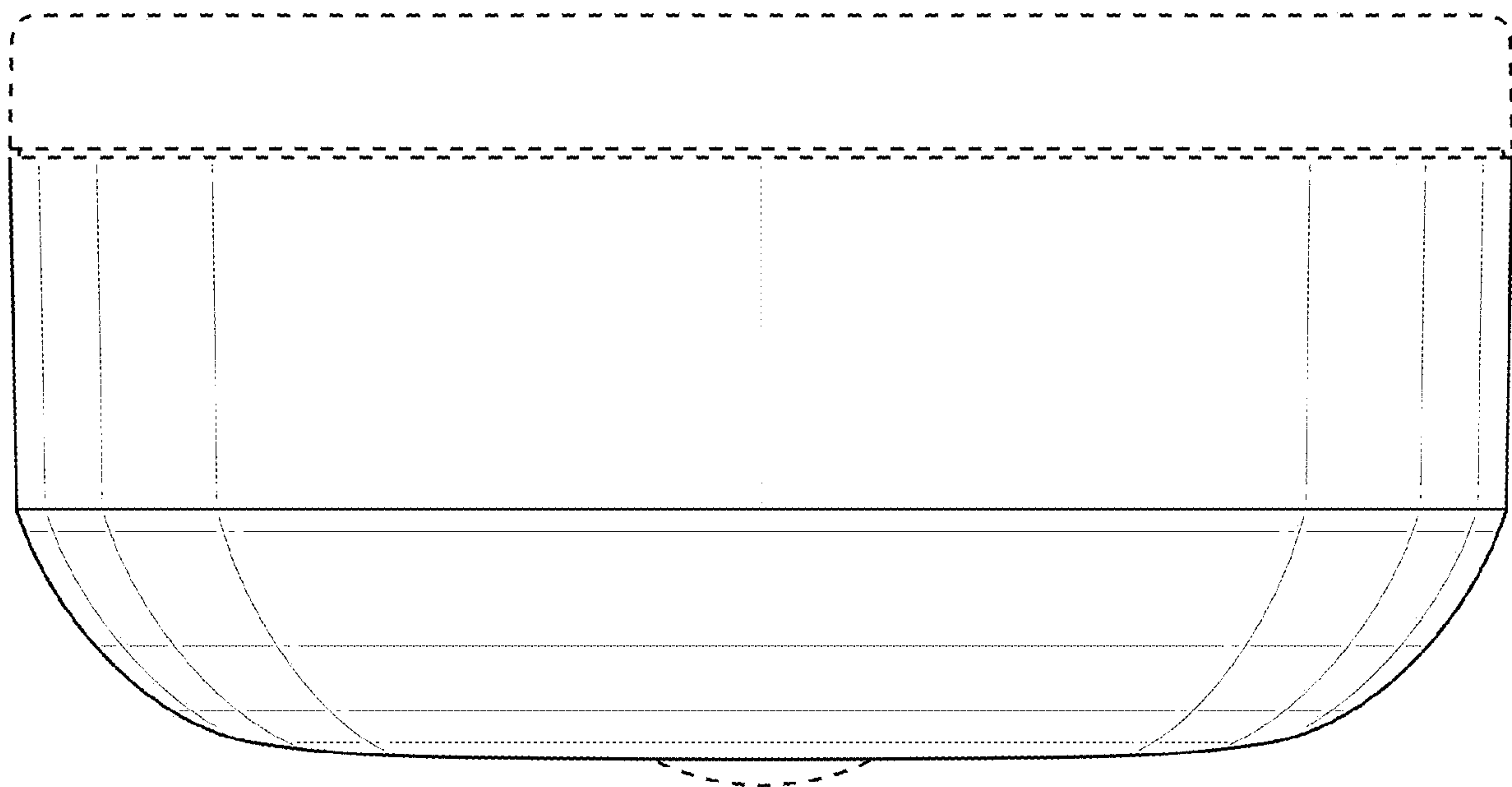


FIG. 7

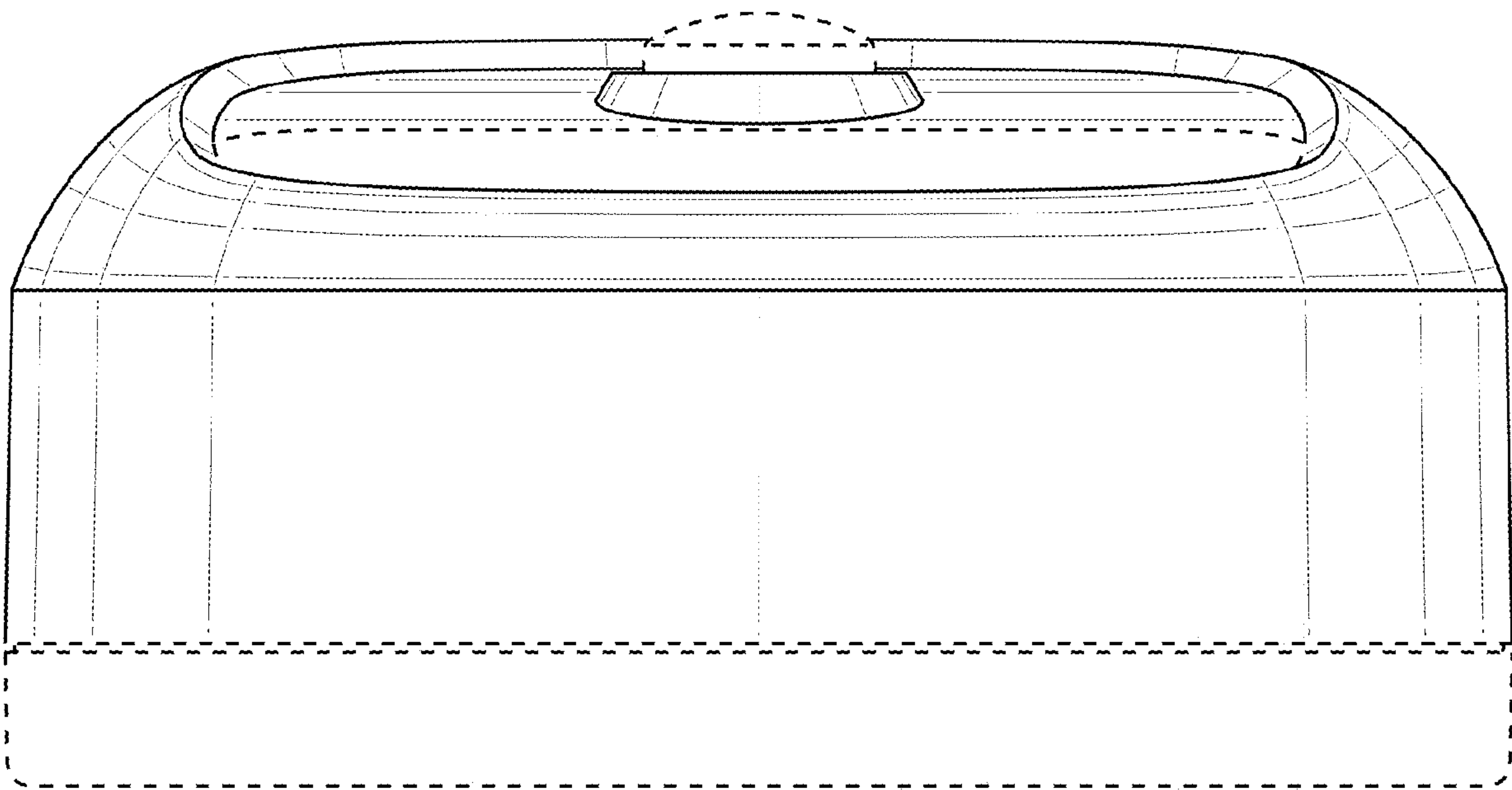


FIG. 8