



US00D940371S

(12) **United States Design Patent** (10) **Patent No.:** **US D940,371 S**
Li (45) **Date of Patent:** **** Jan. 4, 2022**

(54) **SOLAR SUN-SHAPE IRON ART LAMP**

2015/0092399 A1* 4/2015 Qiu F21V 23/0464
362/183

(71) Applicant: **Xiamen Aiche Car Accessories Co., Ltd., Fujian (CN)**

2019/0049096 A1* 2/2019 Harper F21V 21/108
2020/0173618 A1* 6/2020 Maguire H01L 31/048

(72) Inventor: **Yiyang Li, Fujian (CN)**

OTHER PUBLICATIONS

(**) Term: **15 Years**

Amugmilk Solar Lights, ASIN: B0834RYN4H available from amazon.com Apr. 27, 2020. (Year: 2020).*

(21) Appl. No.: **29/709,433**

MOPHA Solar Light ASIN: B08949RQGF available from amazon.com Jul. 2, 2020. (Year: 2020).*

(22) Filed: **Oct. 15, 2019**

* cited by examiner

(51) **LOC (13) Cl.** **26-05**

Primary Examiner — Clare E Heflin

(52) **U.S. Cl.**

(74) *Attorney, Agent, or Firm* — Prakash Nama; Global IP Services, PLLC

USPC **D26/68**; D26/73

(58) **Field of Classification Search**

USPC D26/67-70, 73

CPC .. F21S 8/081; F21S 8/083; F21S 8/088; F21S

9/03; F21S 9/035; F21S 9/037; F21V

21/0824; F21V 21/26; F21W 2111/02;

F21W 2111/023; F21W 2131/109

See application file for complete search history.

(57) **CLAIM**

The ornamental design for a solar sun-shape iron art lamp, as shown.

(56) **References Cited**

U.S. PATENT DOCUMENTS

DESCRIPTION

D245,585 S * 8/1977 Bru D10/56

D323,904 S * 2/1992 Camino D26/128

D529,656 S * 10/2006 Wen D26/68

D751,946 S * 3/2016 Soofer D11/157

D824,565 S * 7/2018 Tsai D26/73

D881,434 S * 4/2020 He D26/67

D887,061 S * 6/2020 Li D26/67

D908,943 S * 1/2021 Huang D26/68

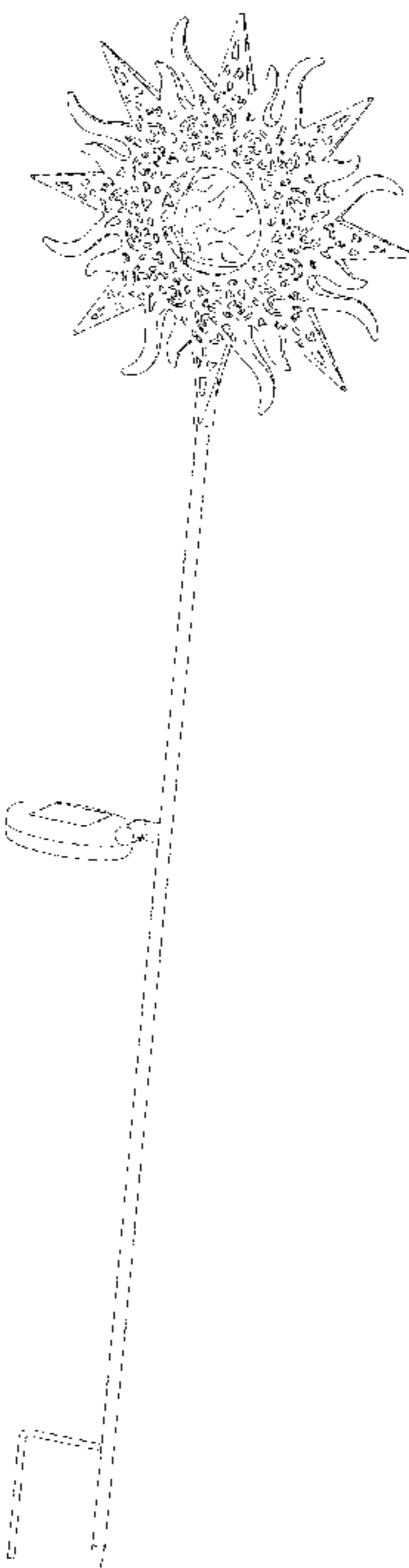
2009/0207596 A1* 8/2009 Richmond G10K 1/07

2014/0133138 A1* 5/2014 Chang F21S 9/037

362/159
362/158

FIG. 1 is a front elevational view of a solar sun-shape iron art lamp showing my new design;
FIG. 2 is a rear elevational view thereof;
FIG. 3 is a left side view thereof;
FIG. 4 is a right side view thereof;
FIG. 5 is a top plan view thereof;
FIG. 6 is a bottom plan view thereof; and,
FIG. 7 is a perspective view thereof.

1 Claim, 6 Drawing Sheets



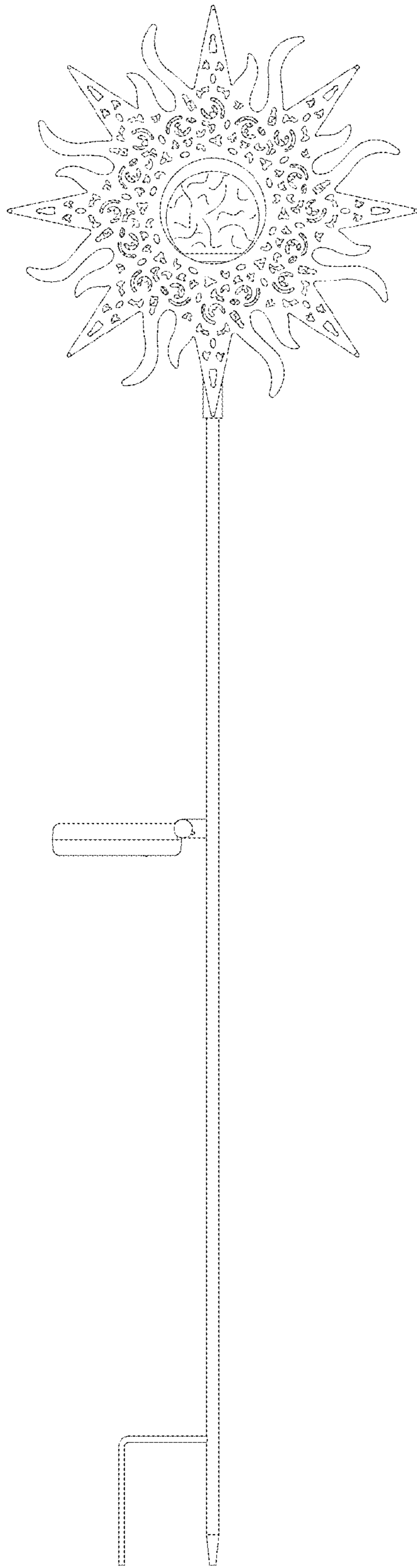


Fig. 1

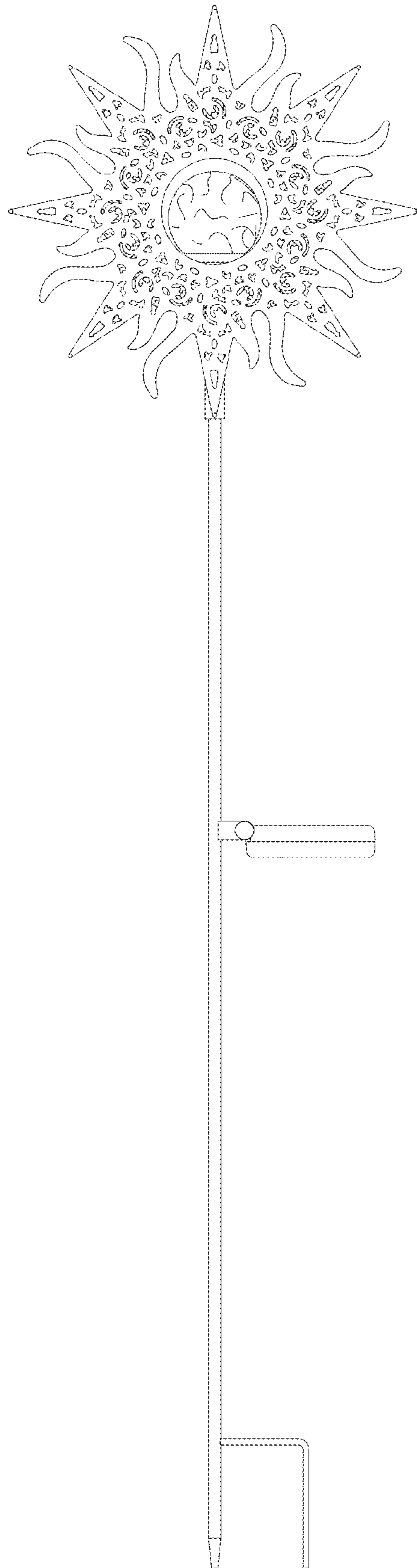


Fig. 2

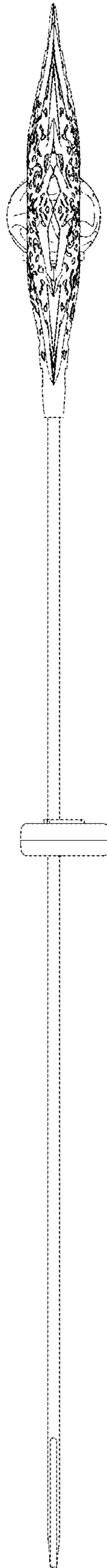


Fig. 3

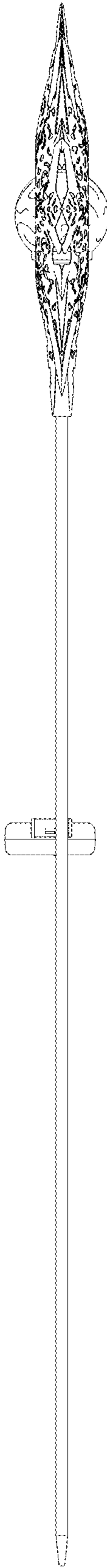


Fig. 4

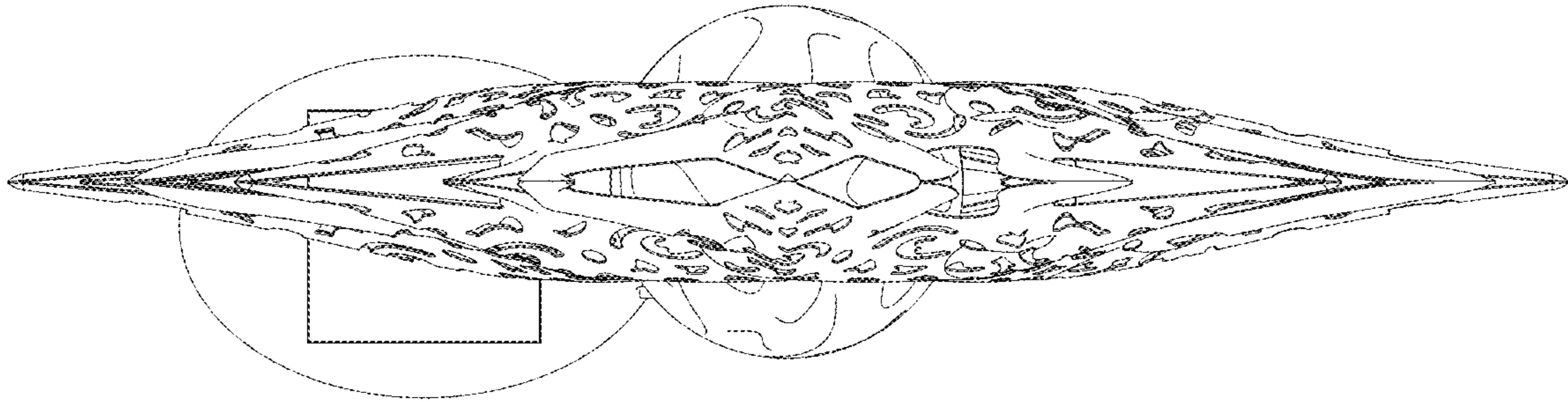


Fig. 5

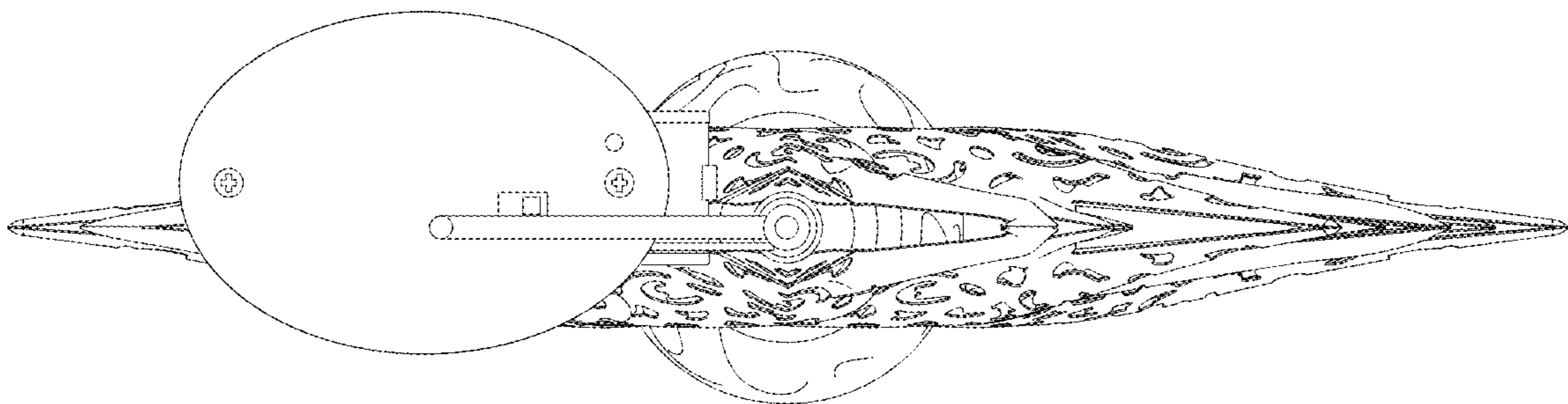


Fig. 6

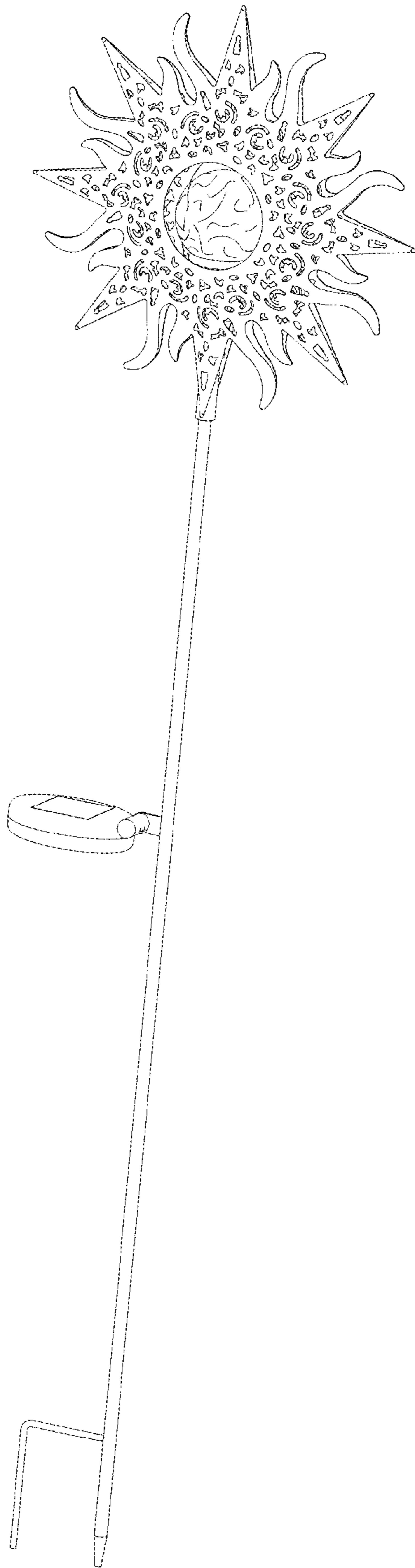


Fig. 7