



US00D940370S

(12) **United States Design Patent**  
**Nguyen et al.**

(10) **Patent No.:** **US D940,370 S**  
(45) **Date of Patent:** **\*\* Jan. 4, 2022**

(54) **LIGHTING DEVICE BODY PORTION**

(71) Applicant: **SureFire, LLC**, Fountain Valley, CA (US)

(72) Inventors: **Loc Nguyen**, Santa Ana, CA (US);  
**John W. Matthews**, Newport Beach, CA (US)

(73) Assignee: **SureFire, LLC**, Fountain Valley, CA (US)

(\*\*) Term: **15 Years**

(21) Appl. No.: **29/692,696**

(22) Filed: **May 28, 2019**

(51) **LOC (13) Cl.** ..... **26-02**

(52) **U.S. Cl.**  
USPC ..... **D26/48; D26/37**

(58) **Field of Classification Search**  
USPC ..... D26/37-44, 46-52; D10/111-115;  
D14/137, 138 AA, 186, 204, 225  
(Continued)

(56) **References Cited**

**U.S. PATENT DOCUMENTS**

D298,659 S \* 11/1988 Burns ..... D26/46  
D449,995 S \* 11/2001 Christianson ..... D10/18  
(Continued)

**FOREIGN PATENT DOCUMENTS**

CN 303938058 \* 11/2016  
CN 303952618 \* 11/2016  
(Continued)

**OTHER PUBLICATIONS**

“Clare Automotive Light-N-Carry,” Oct. 17, 2017, amazon.com, site visited Jun. 4, 2021, URL: <https://www.amazon.com/Clare-Automotive-LNC1541-N-Carry-Rechargeable/dp/B076HXTMKY/> (Year: 2017).\*

(Continued)

*Primary Examiner* — Eric L Goodman

*Assistant Examiner* — Sarah L Smith

(74) *Attorney, Agent, or Firm* — Haynes and Boone, LLP

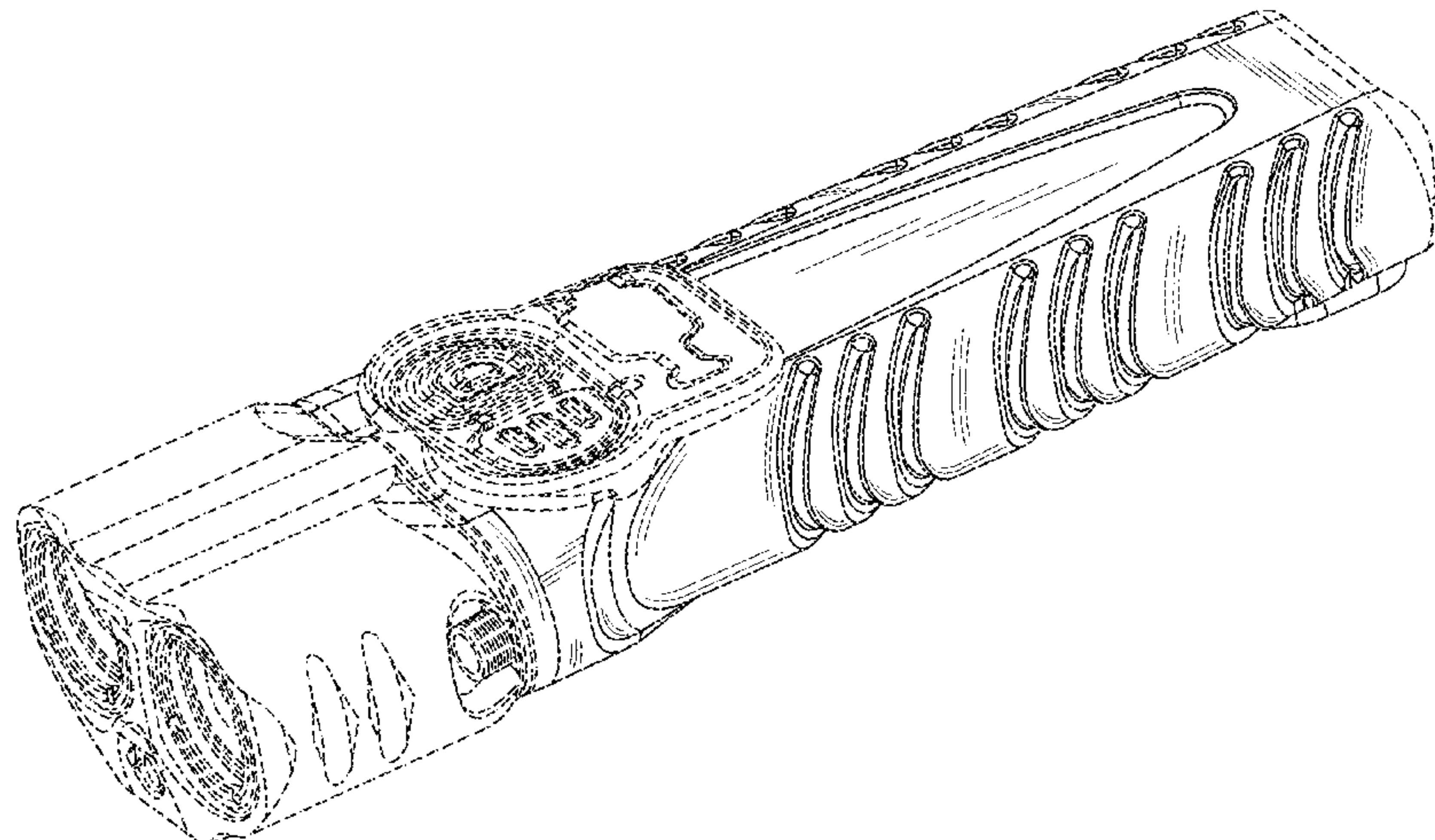
(57) **CLAIM**

The ornamental design for a lighting device body portion, as shown and described.

**DESCRIPTION**

FIG. 1 is a front left upper perspective view of a lighting device body portion showing our new design implemented as part of a first lighting device;  
FIG. 2 is a rear right lower perspective view thereof;  
FIG. 3 is a top plan view thereof;  
FIG. 4 is a bottom plan view thereof;  
FIG. 5 is a right side elevational view thereof;  
FIG. 6 is a left side elevational view thereof;  
FIG. 7 is a rear side elevation view thereof;  
FIG. 8 is a front side elevation view thereof;  
FIG. 9 is a rear right lower perspective view thereof with a clip attached to the first lighting device.  
FIG. 10 is a front left upper perspective view of the lighting device body portion implemented as part of a second lighting device;  
FIG. 11 is a rear right lower perspective view thereof;  
FIG. 12 is a front side elevation view thereof;  
FIG. 13 is a right side elevation view thereof;  
FIG. 14 is a left side elevation view thereof;  
FIG. 15 is a front left upper perspective view of the lighting device body portion implemented as part of a third lighting device;  
FIG. 16 is a rear right lower perspective view thereof;  
FIG. 17 is a front side elevation view thereof;  
FIG. 18 is a left side elevation view thereof; and,  
FIG. 19 is a right side elevation view thereof.  
The broken lines in the drawings illustrate environmental features and form no part of the claimed design.

**1 Claim, 19 Drawing Sheets**



(58) **Field of Classification Search**  
 CPC ..... F21Y 2115/10; F41G 1/35; F41G 11/003;  
 F21V 23/0414; F21V 21/0885; F21L  
 4/027; F21L 4/005; F21W 2111/10  
 See application file for complete search history.

2010/0309657 A1\* 12/2010 Purdy ..... F21L 4/005  
 362/200  
 2014/0085877 A1\* 3/2014 Hao ..... F21V 29/83  
 362/200  
 2018/0194021 A1\* 7/2018 Matthews ..... B26B 1/08

(56) **References Cited**

U.S. PATENT DOCUMENTS

D565,214 S \* 3/2008 Lee ..... D26/37  
 D687,990 S \* 8/2013 Yeh ..... D26/46  
 D698,959 S \* 2/2014 Shen ..... D26/46  
 D698,960 S \* 2/2014 Wu ..... D26/48  
 D756,014 S \* 5/2016 Bao ..... D26/65  
 D758,299 S \* 6/2016 Lafferty ..... D13/102  
 D805,666 S \* 12/2017 Nguyen ..... D26/37  
 D829,212 S \* 9/2018 Bidwell ..... D14/426  
 D838,395 S \* 1/2019 Nguyen ..... D26/46  
 D875,285 S \* 2/2020 Prieto ..... F21V 29/83  
 D26/37  
 D889,715 S \* 7/2020 Nguyen ..... F21L 4/005  
 D26/46  
 D902,459 S \* 11/2020 Ni ..... F21V 25/12  
 D26/38  
 D903,172 S \* 11/2020 Ni ..... F21L 4/027  
 D26/38  
 D906,562 S \* 12/2020 Hawk ..... F21L 4/027  
 D26/60  
 2005/0030741 A1\* 2/2005 Uke ..... F21V 25/12  
 362/200  
 2005/0052862 A1\* 3/2005 Bruwer ..... F21L 4/027  
 362/157  
 2010/0157581 A1\* 6/2010 Galli ..... F21L 4/027  
 362/158

FOREIGN PATENT DOCUMENTS

CN 305180652 \* 5/2019  
 EM 001088546-0003 \* 3/2009  
 GB 9006461273-0003 \* 5/2019

OTHER PUBLICATIONS

“SureFire PLR Stiletto,” Jul. 26, 2018, amazon.com, site visited Jun. 2, 2021, URL: <https://www.amazon.com/SureFire-Stiletto-Multi-Output-Rechargeable-Flashlight/dp/B07FXQVZTW/> (Year: 2018).\*

“NEBO Mycro 400 Lumen USB Rechargeable Keychain Pocket Flashlight,” Oct. 30, 2018, amazon.com, site visited Jun. 4, 2021, URL: [https://www.amazon.com/NEBO-Rechargeable-Keychain-Flashlight-Lumintrail/dp/B07K1N3MKZ/ref=sr\\_1\\_216?dchild=1&keywords=pocket+light&qid=1622807579&sr=8-216](https://www.amazon.com/NEBO-Rechargeable-Keychain-Flashlight-Lumintrail/dp/B07K1N3MKZ/ref=sr_1_216?dchild=1&keywords=pocket+light&qid=1622807579&sr=8-216) (Year: 2018).\*

“Nitecore Tip 360 Lumens Light,” Mar. 14, 2018, amazon.com, site visited Jun. 3, 2021, URL: [https://www.amazon.com/Nitecore-Lumens-Rechargeable-Keychain-Flashlight/dp/B06Y65KLQF/ref=sr\\_1\\_37?dchild=1&keywords=nitecore&qid=1622808302&sr=8-37](https://www.amazon.com/Nitecore-Lumens-Rechargeable-Keychain-Flashlight/dp/B06Y65KLQF/ref=sr_1_37?dchild=1&keywords=nitecore&qid=1622808302&sr=8-37) (Year: 2018).\*

“Sunex Pocket Light,” Jan. 30, 2019, amazon.com, site visited Jun. 4, 2021, URL: [https://www.amazon.com/Sunex-Pocket-Lumens-Alkaline-Included/dp/B07N8RW4GY/ref=sr\\_1\\_130?dchild=1&keywords=pocket+light&qid=1622807383&sr=8-130](https://www.amazon.com/Sunex-Pocket-Lumens-Alkaline-Included/dp/B07N8RW4GY/ref=sr_1_130?dchild=1&keywords=pocket+light&qid=1622807383&sr=8-130) (Year: 2019).\*

\* cited by examiner



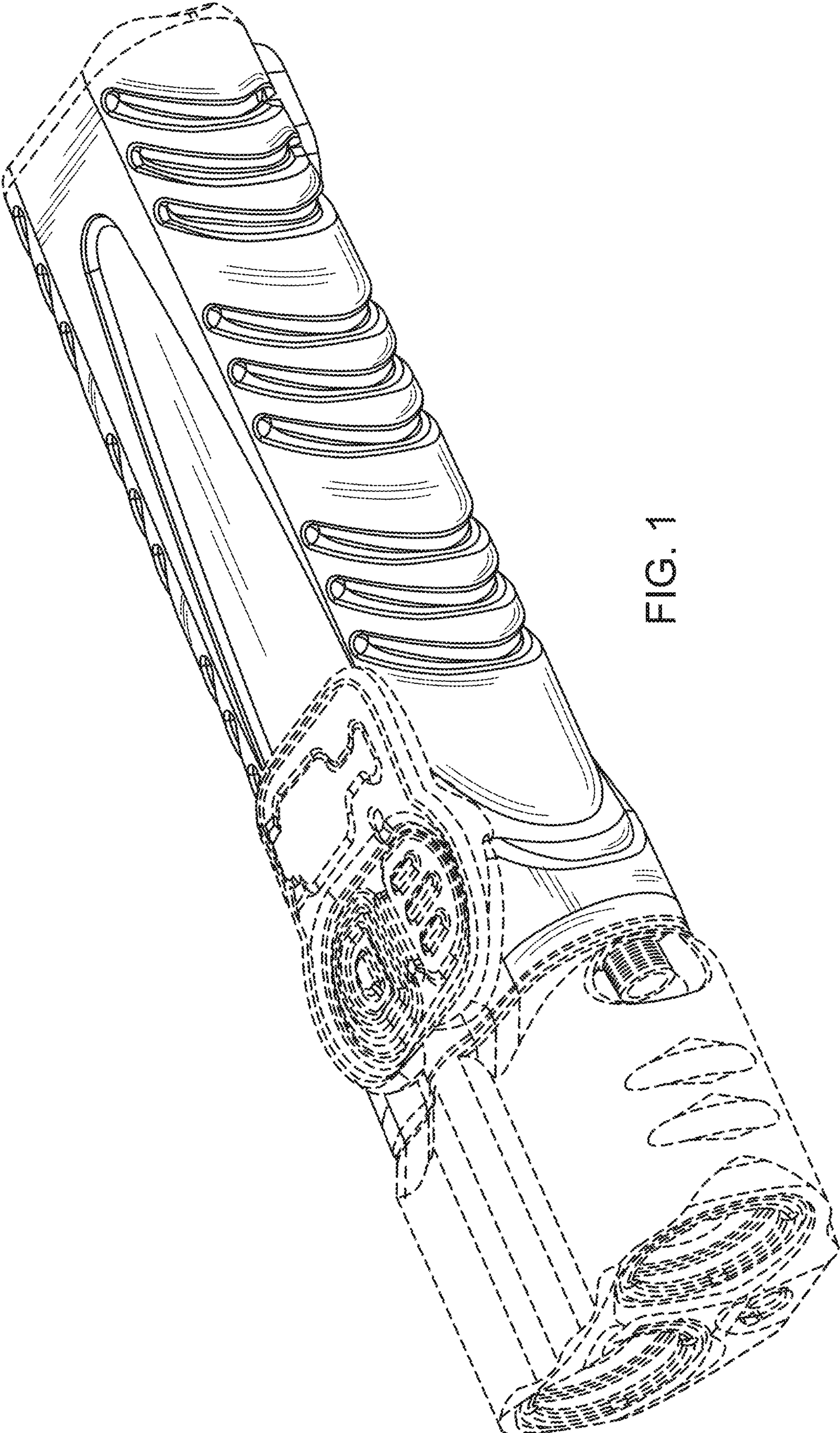


FIG. 1

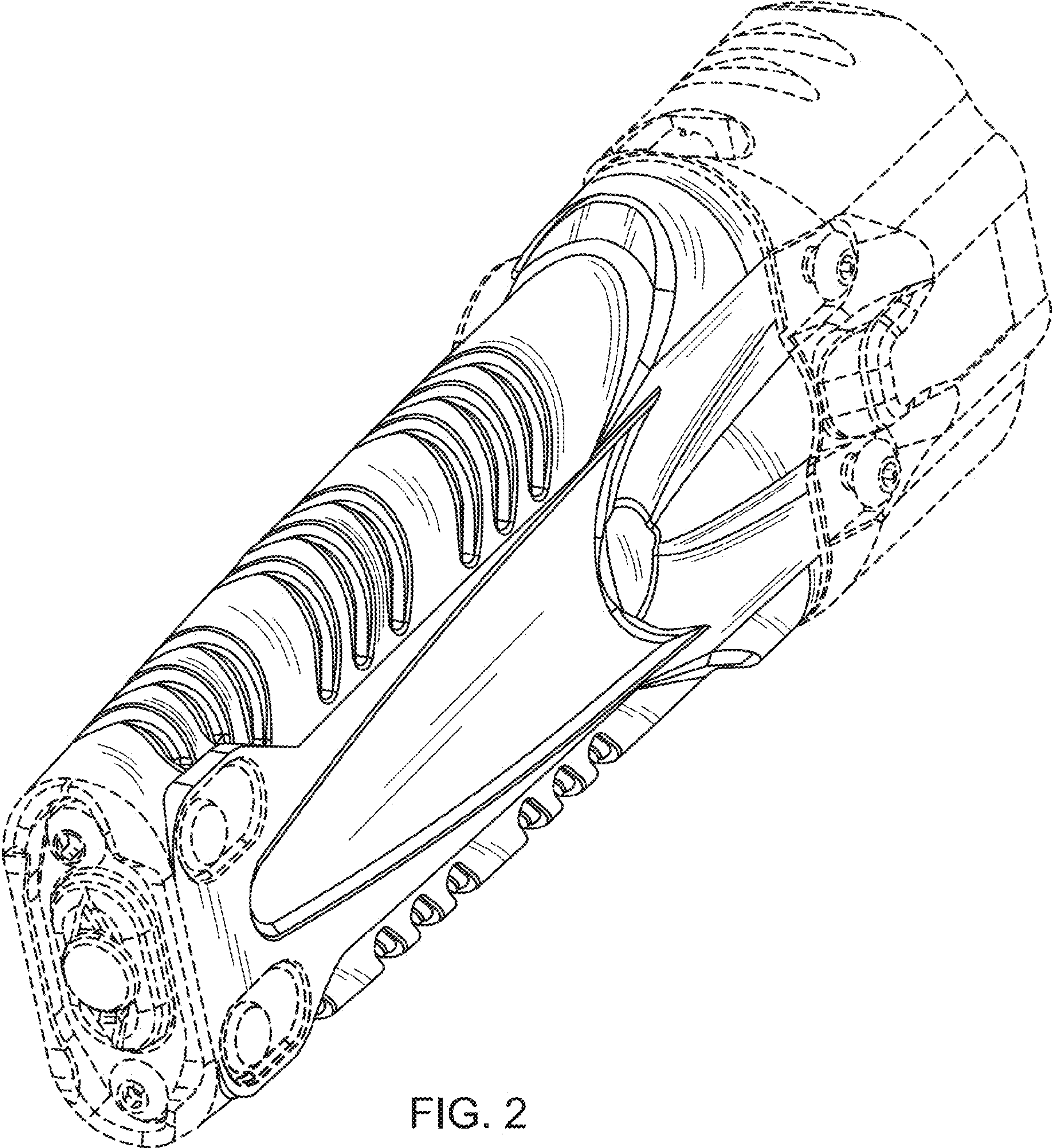


FIG. 2



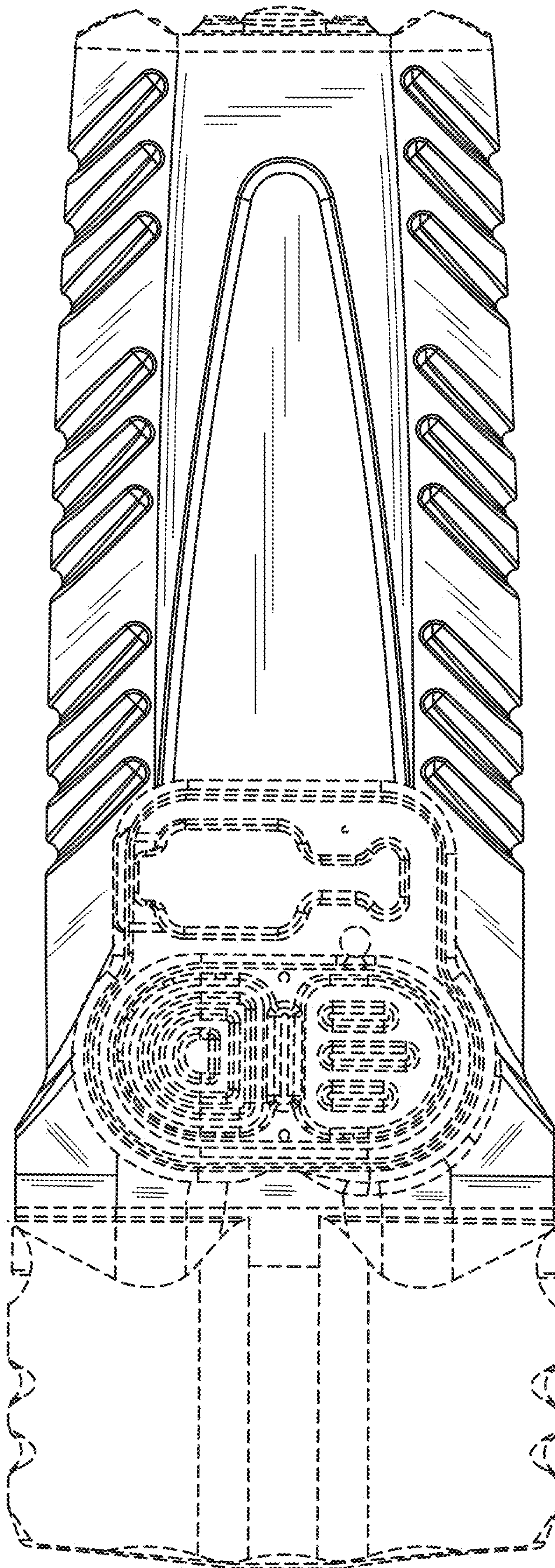


FIG. 3

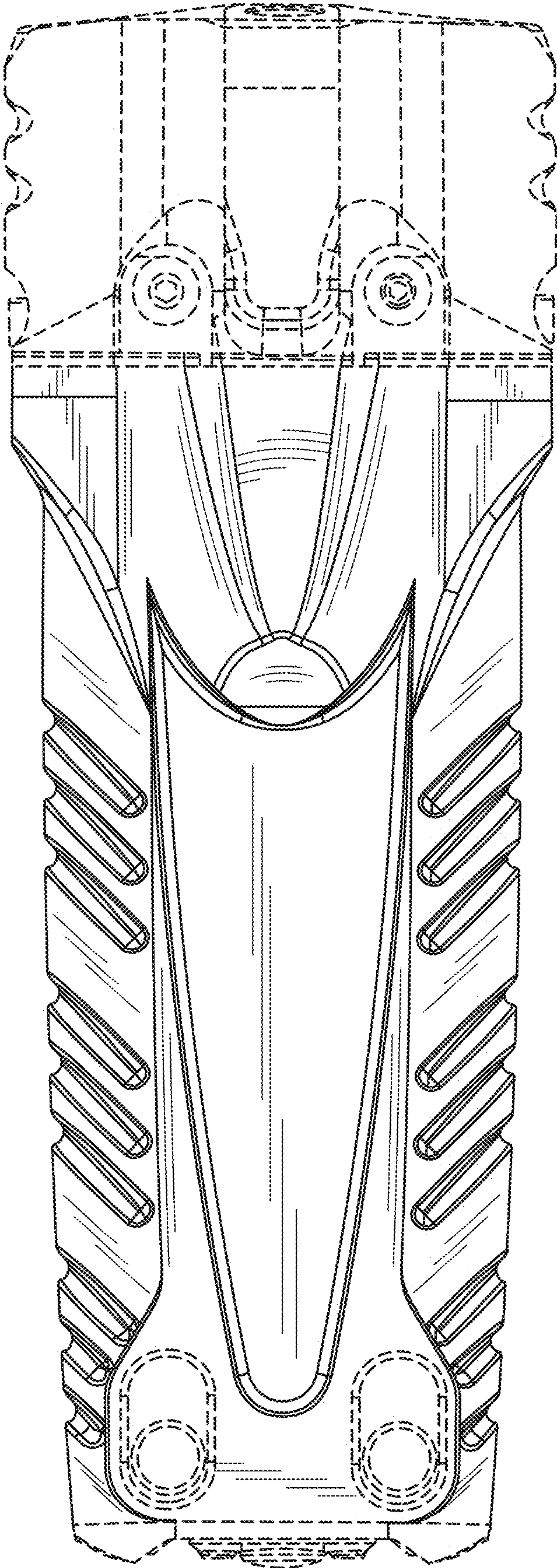


FIG. 4



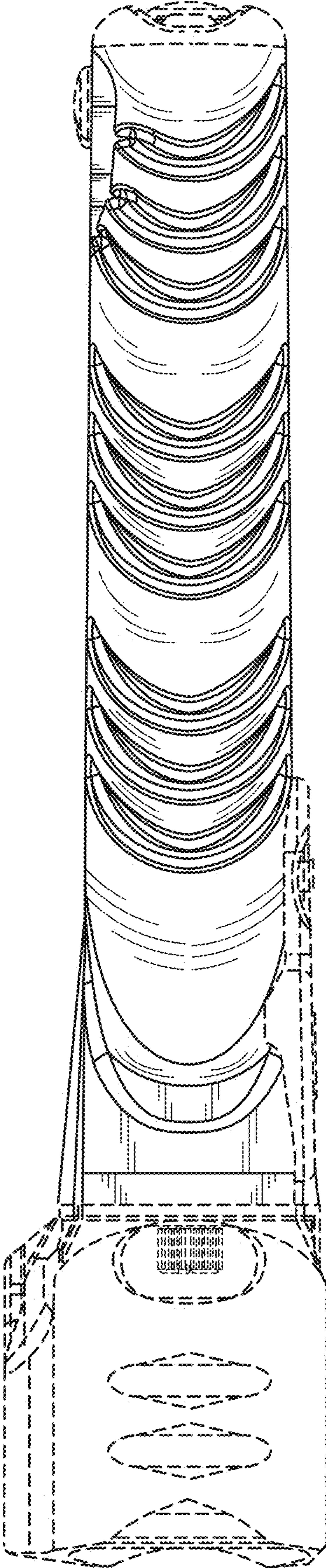


FIG. 5

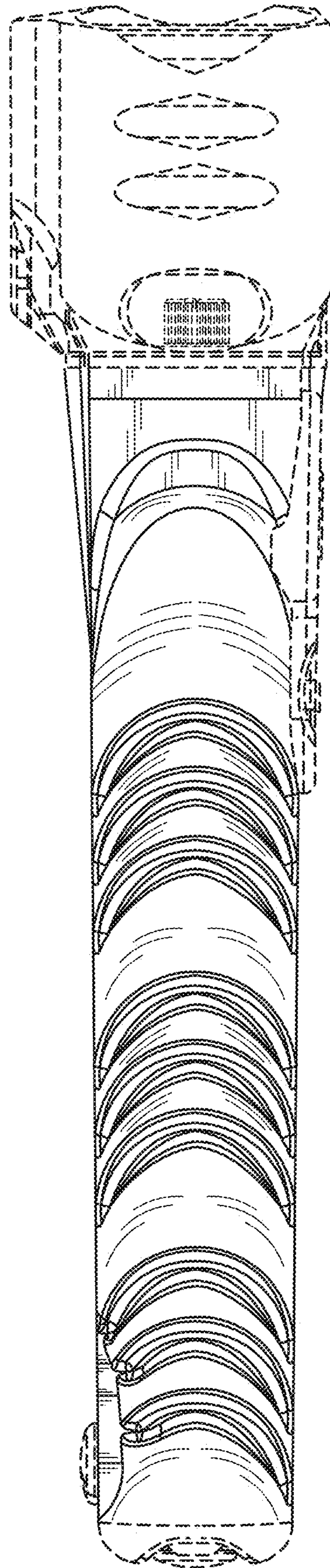


FIG. 6



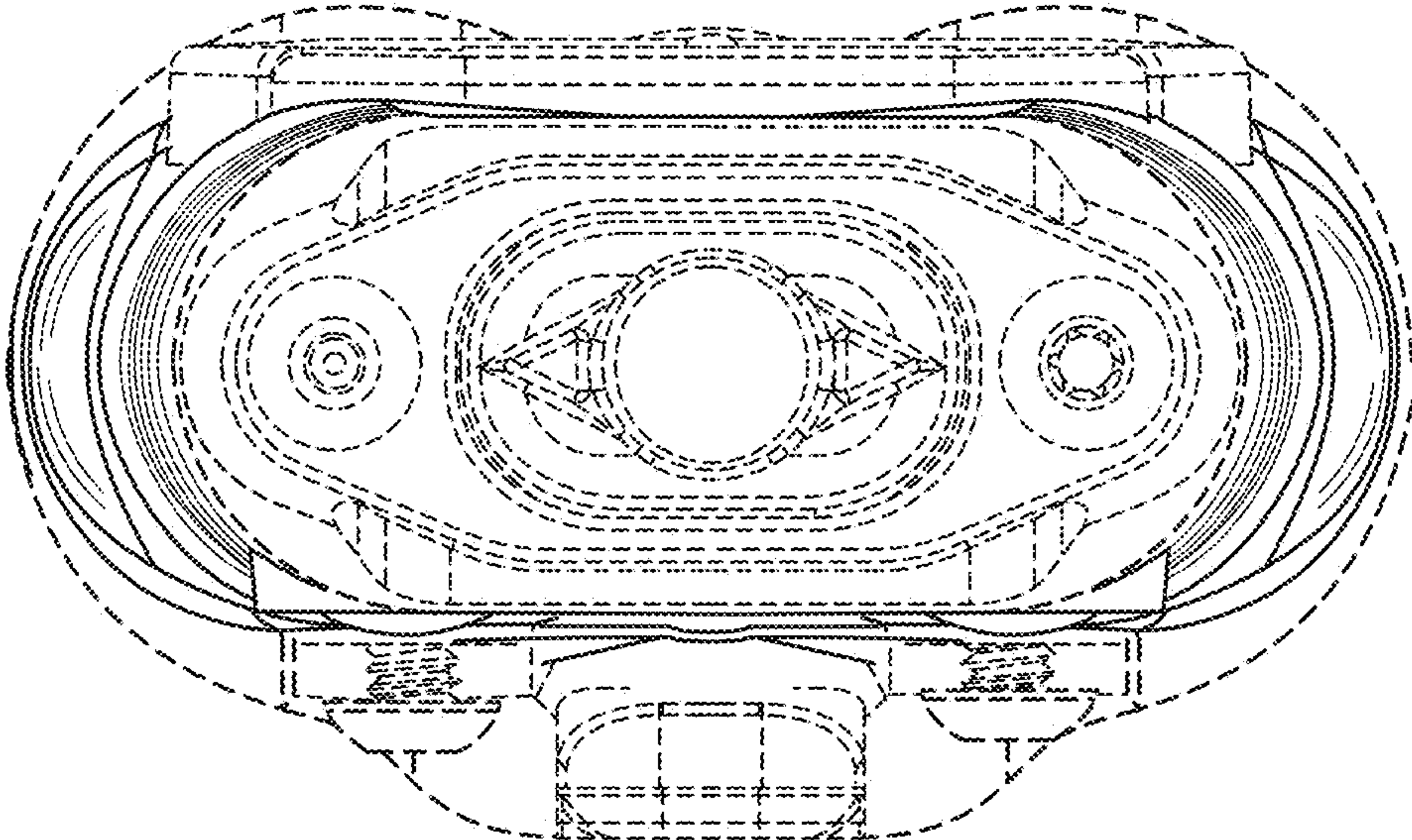


FIG. 7

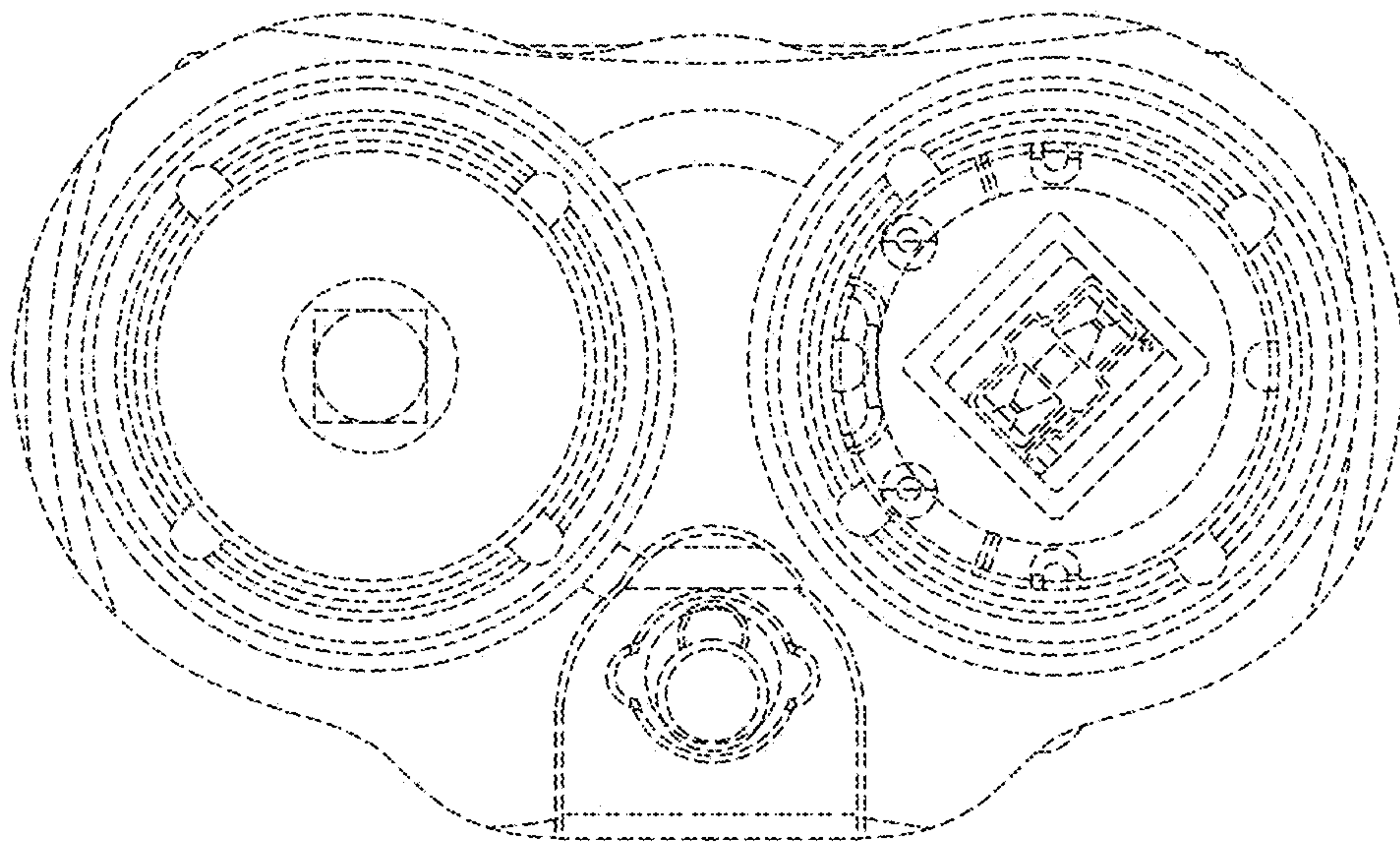


FIG. 8



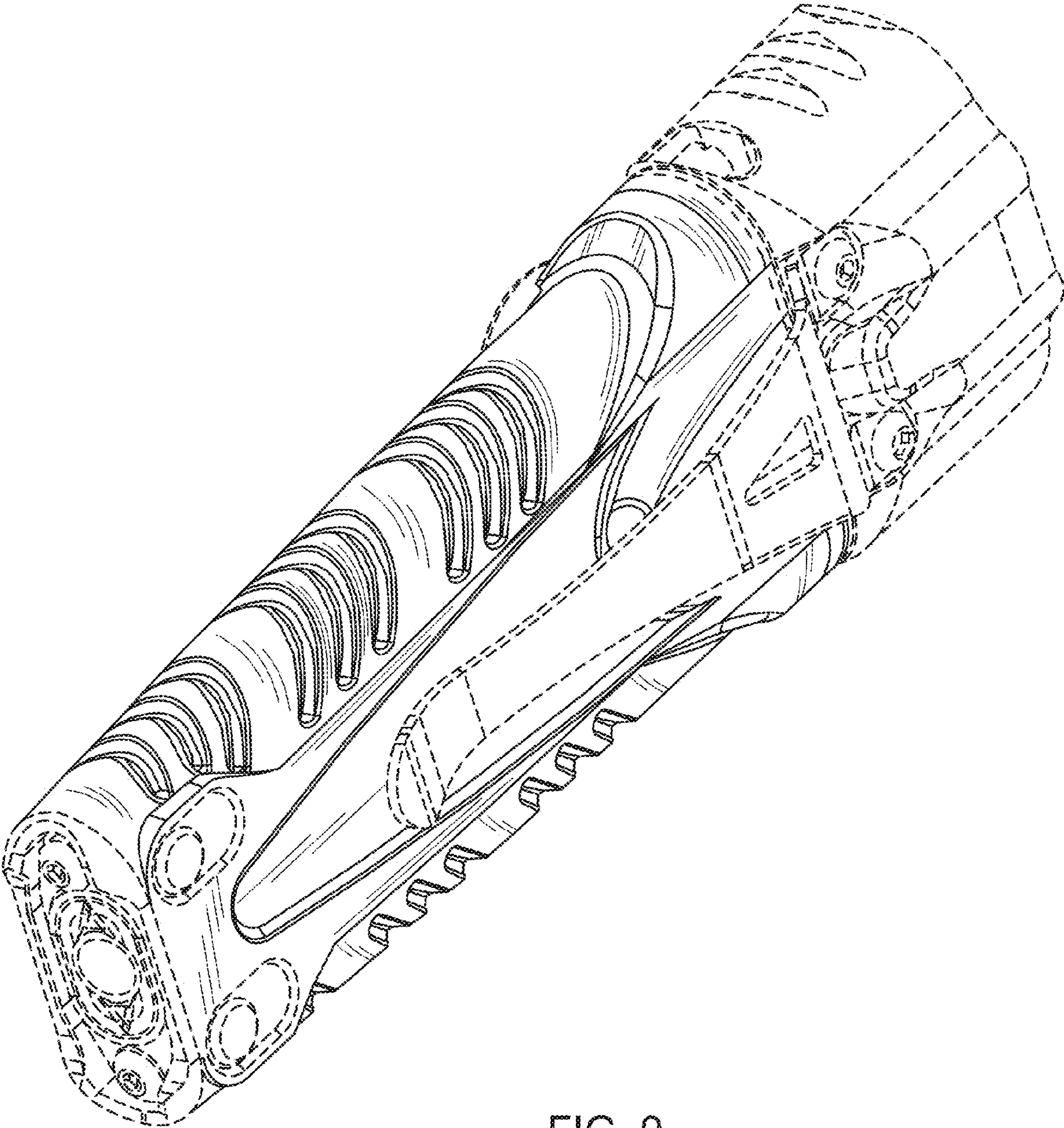


FIG. 9

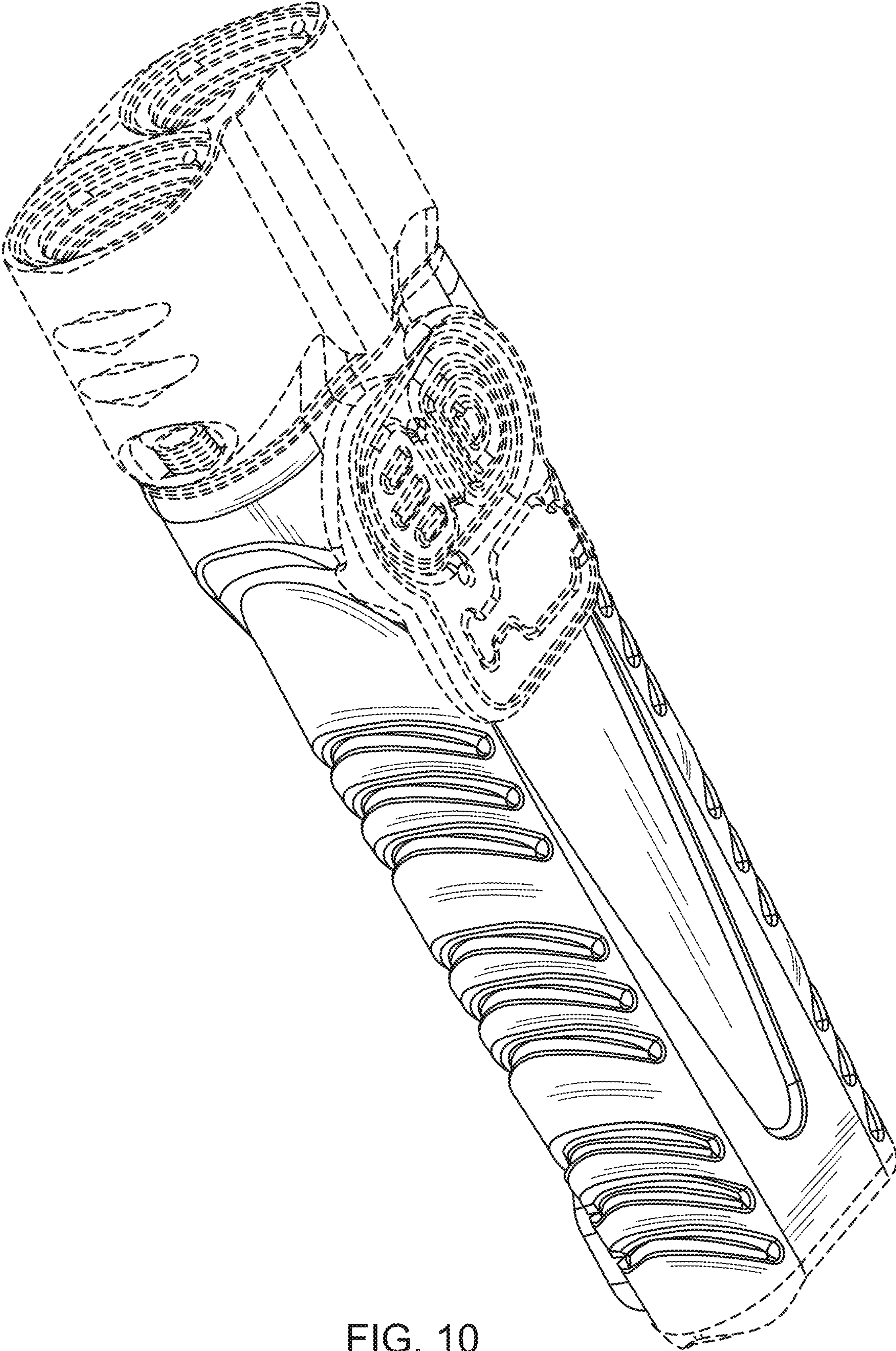


FIG. 10



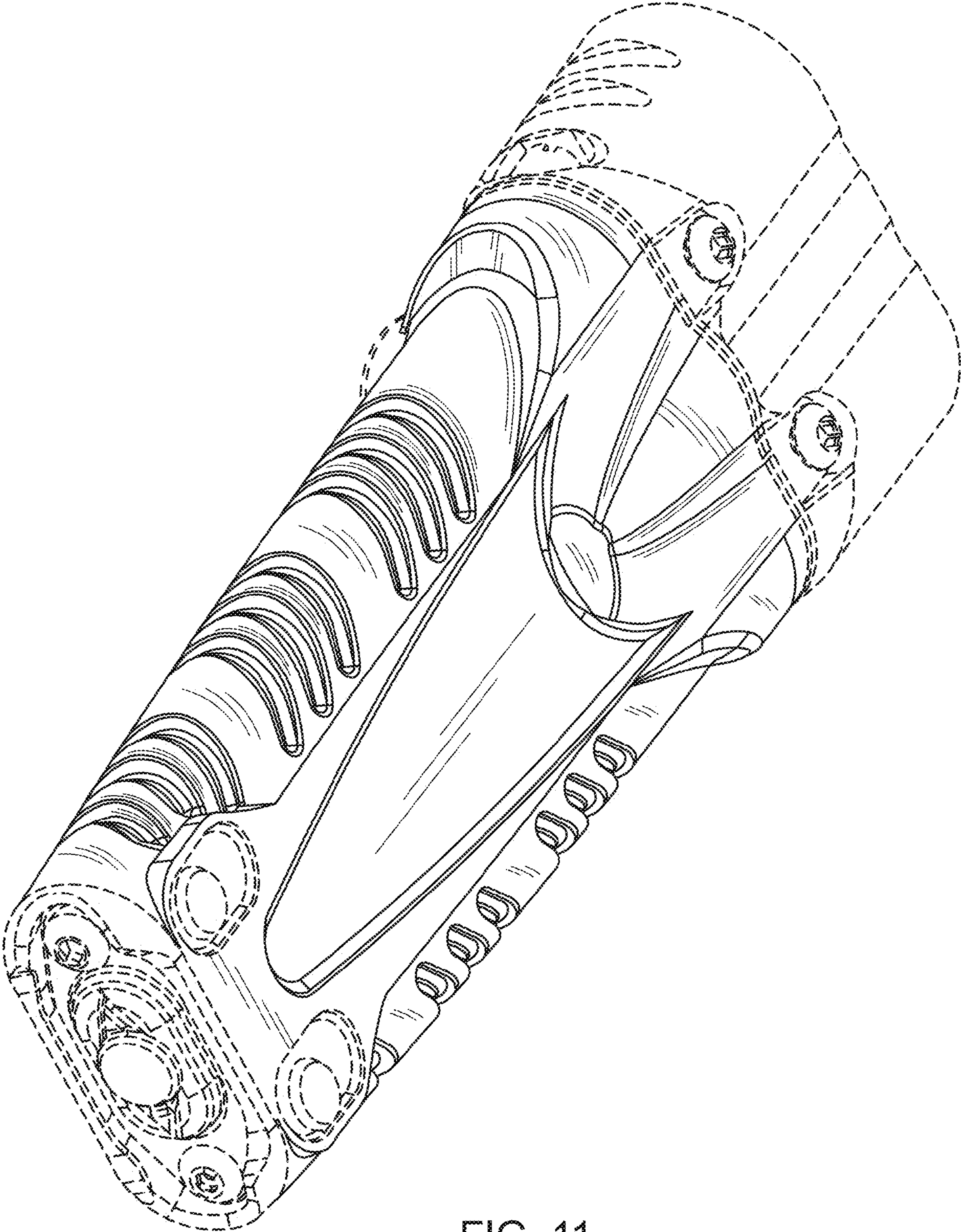


FIG. 11

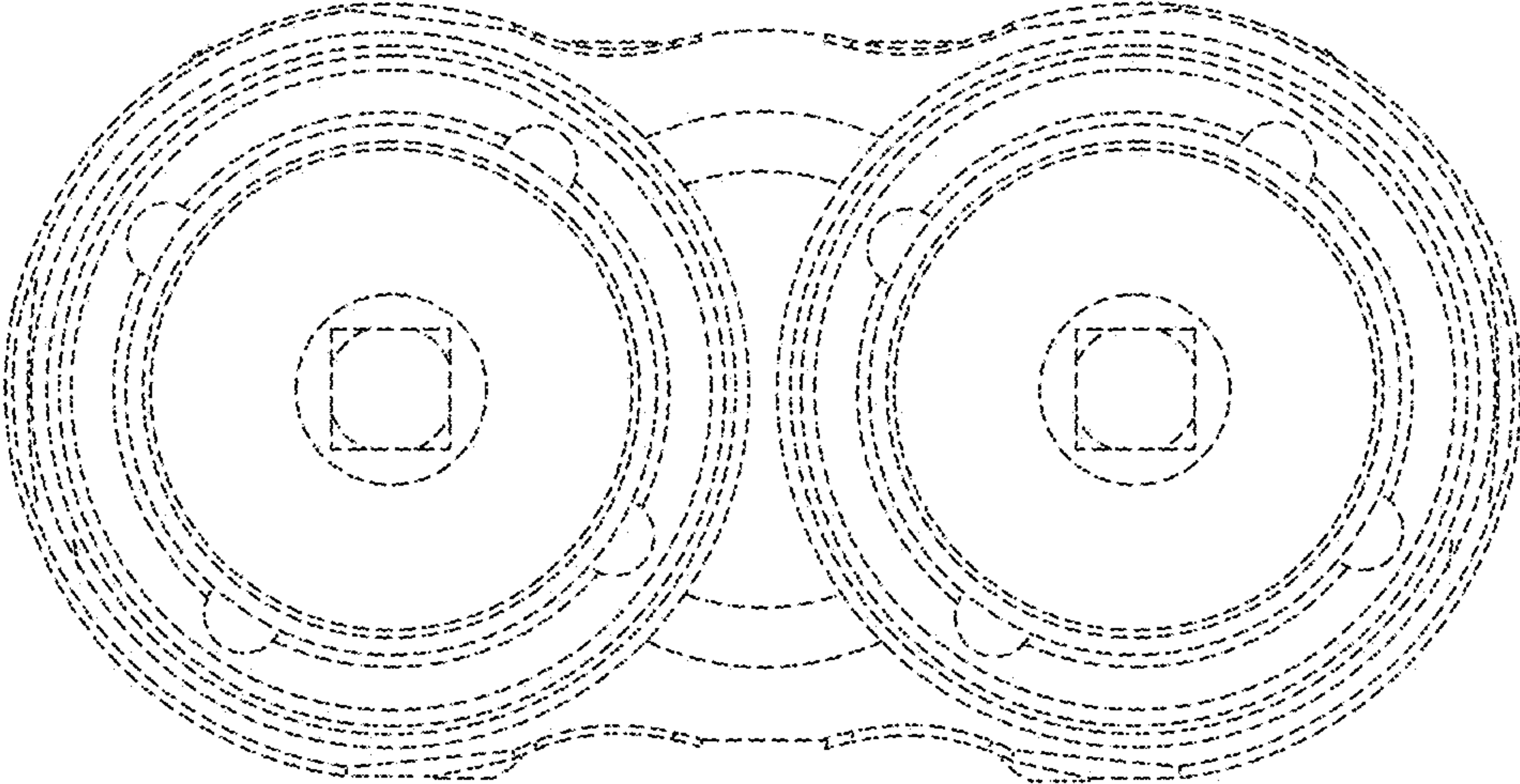


FIG. 12



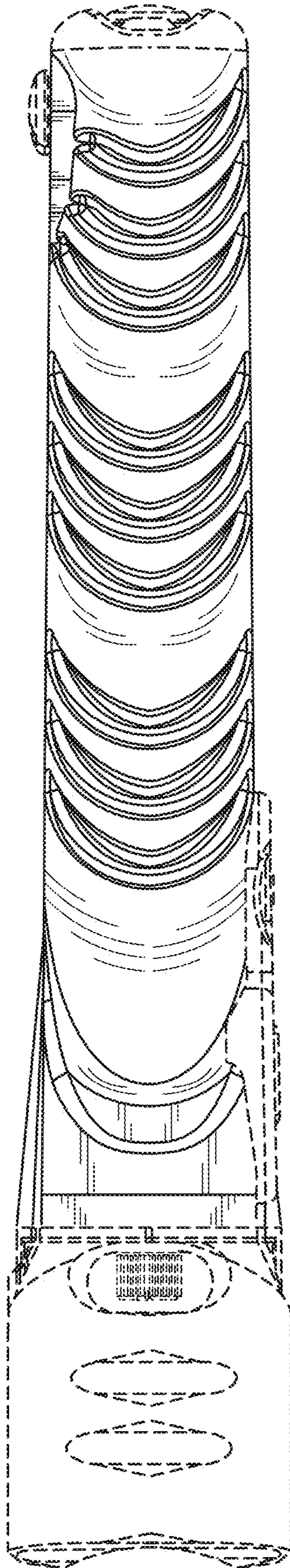


FIG. 13

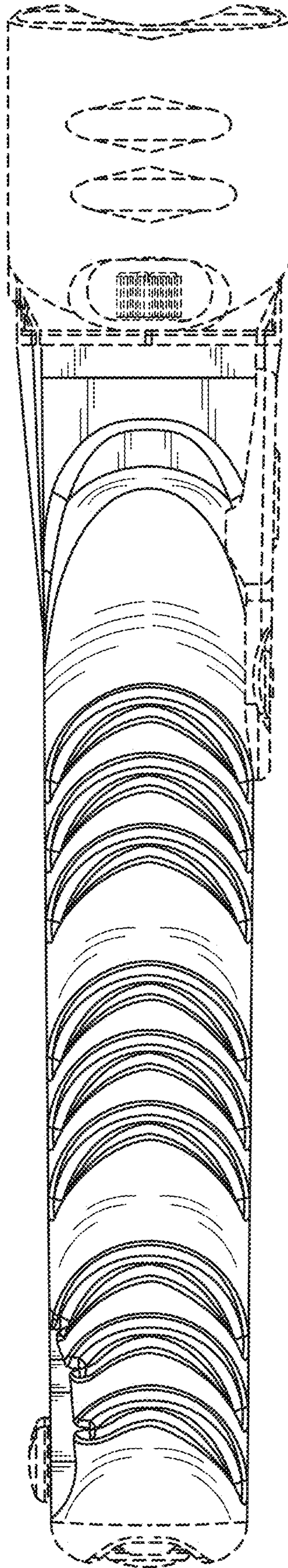


FIG. 14



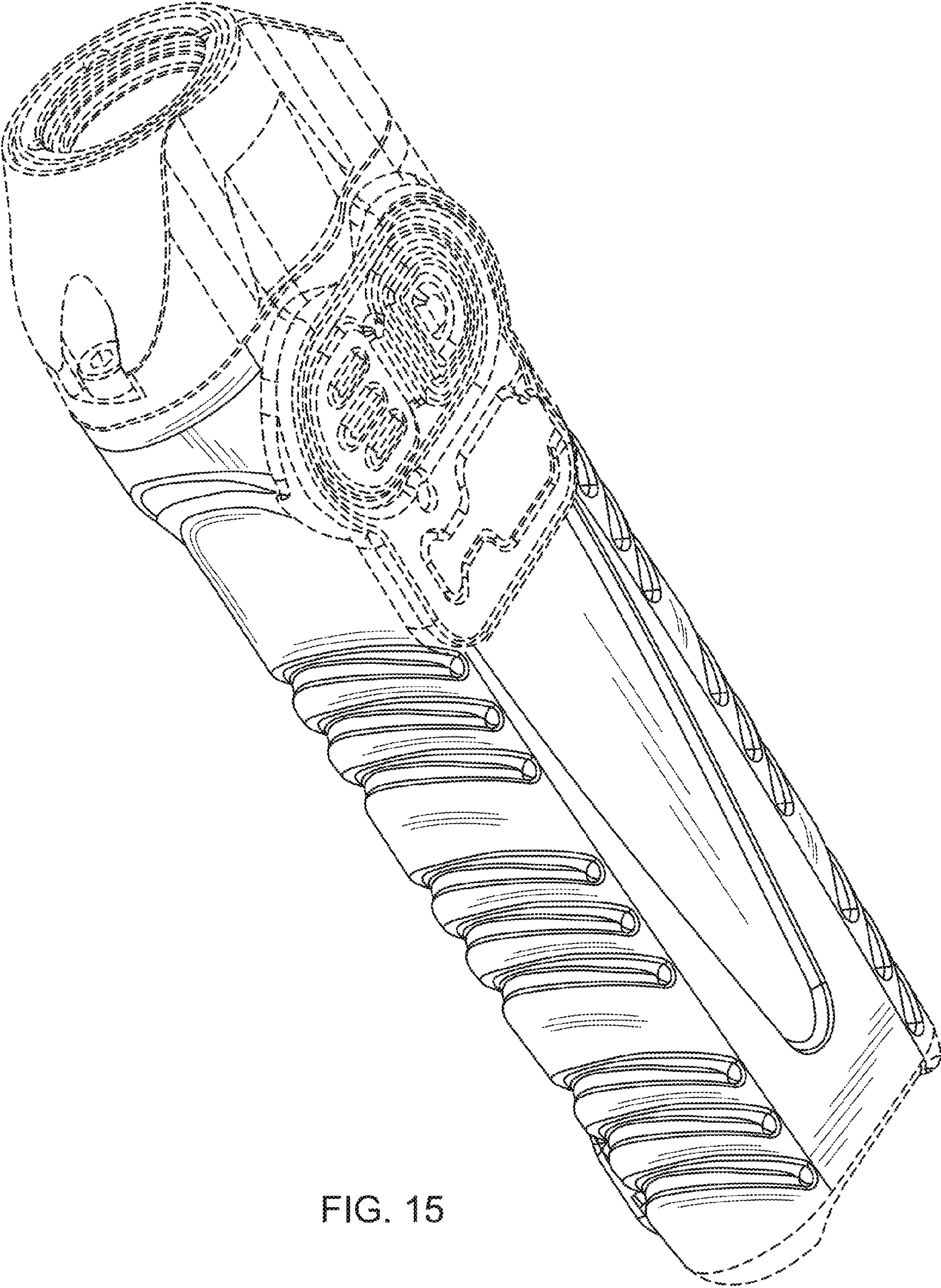


FIG. 15

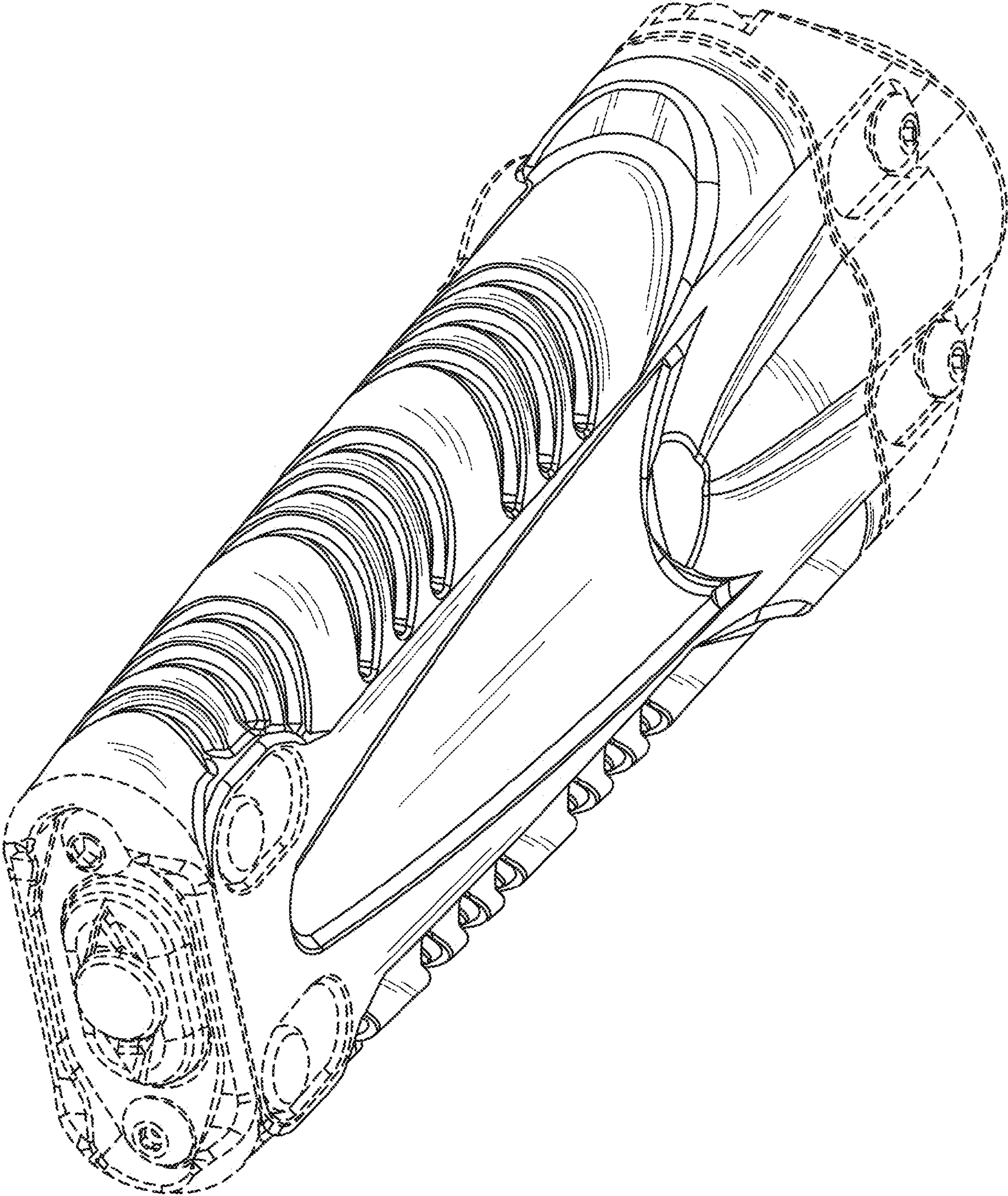


FIG. 16



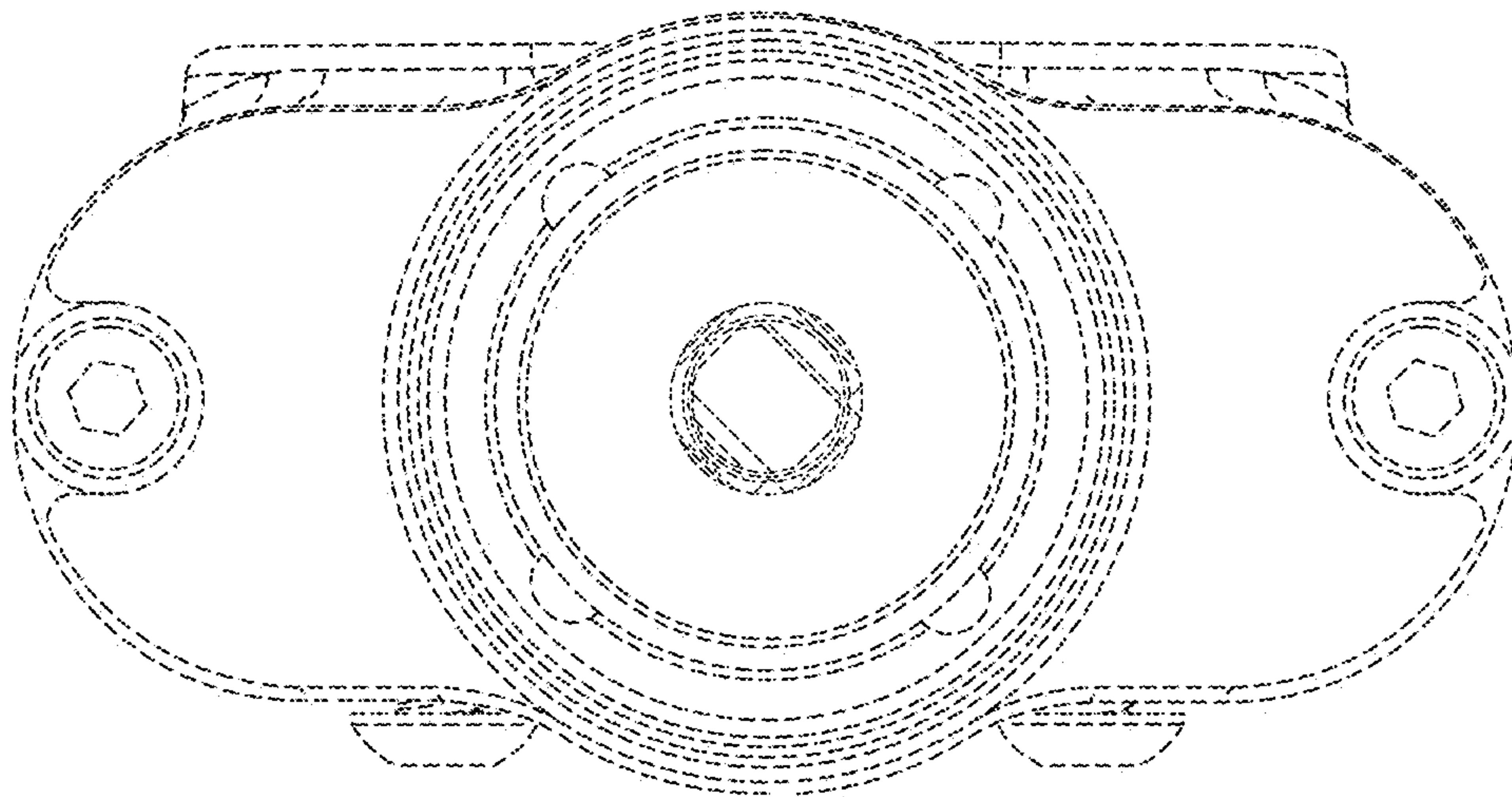


FIG. 17

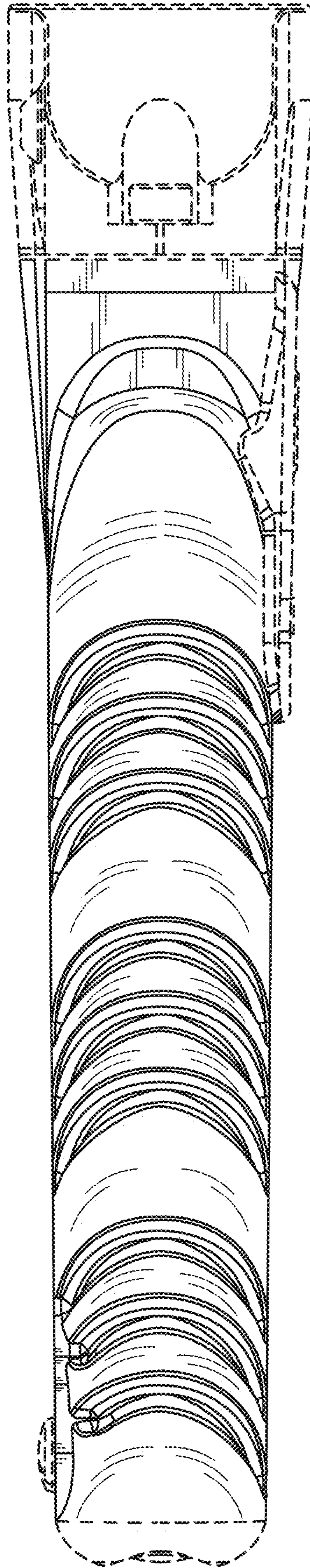


FIG. 18



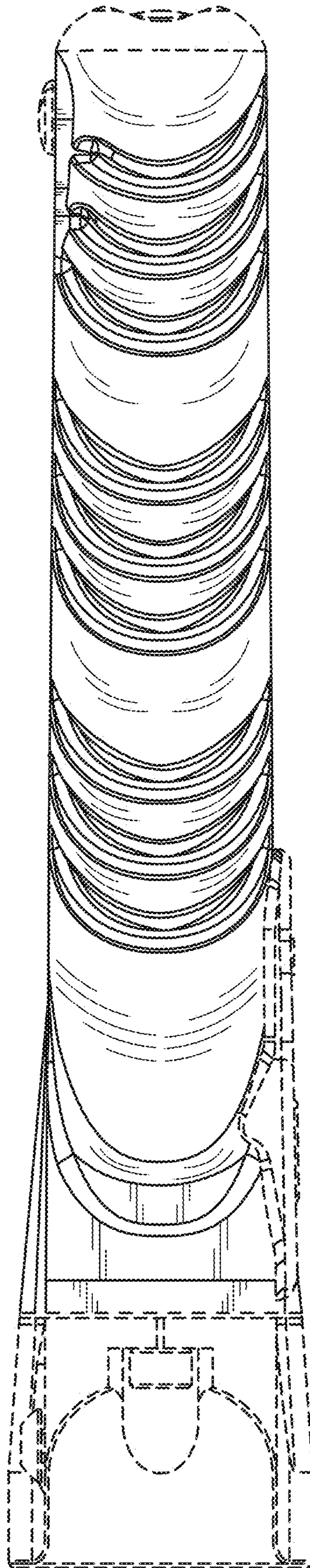


FIG. 19