

US00D940367S

(12) **United States Design Patent**
Chen

(10) **Patent No.:** **US D940,367 S**

(45) **Date of Patent:** **** Jan. 4, 2022**

(54) **RUNNING LIGHT**

(71) Applicant: **Yiwu Ledong Network Technology Co., Ltd., Yiwu (CN)**

(72) Inventor: **Rong Chen, Yichun (CN)**

(73) Assignee: **Yiwu Ledong Network Technology Co., Ltd., Yiwu (CN)**

(**) Term: **15 Years**

(21) Appl. No.: **29/764,776**

(22) Filed: **Jan. 2, 2021**

(51) **LOC (13) Cl.** **26-02**

(52) **U.S. Cl.**
USPC **D26/39; D26/37**

(58) **Field of Classification Search**
USPC D26/28, 37-44, 45-52, 60; D10/109.1,
D10/111-115; D29/103, 122
CPC F21L 2003/00; F21L 4/00; F21L 4/005;
F21L 4/02; F21L 4/025; F21L 4/027;
F21L 4/05; F21L 4/08; F21L 2005/00;
F21L 7/00; F21L 11/00; F21L 13/00;
F21L 13/04; F21L 13/08; F21L 14/02;
F21L 17/00; F21L 25/00

See application file for complete search history.

(56) **References Cited**

U.S. PATENT DOCUMENTS

4,148,094 A * 4/1979 Bennett F21L 14/02
362/109
D489,470 S * 5/2004 Yuen D26/39
D583,971 S * 12/2008 Castellucci D26/39
D638,152 S * 5/2011 Leung D26/40
D650,103 S * 12/2011 Lee D26/39
D663,060 S * 7/2012 Egawa D26/37
D693,040 S * 11/2013 Svensson D26/39
D707,867 S * 6/2014 Kotsis D26/39
D721,842 S * 1/2015 Opolka
D739,059 S * 9/2015 Trauterer D26/37
D754,896 S * 4/2016 Walterscheid D26/39

D823,505 S * 7/2018 Claesson D26/37
D836,228 S * 12/2018 Kunzendorf D26/39
D844,867 S * 4/2019 Sherry D26/37
D858,830 S * 9/2019 Grandadam D26/37
D861,940 S * 10/2019 Kunzendorf D26/39
D864,449 S * 10/2019 Eichelberger D26/39

(Continued)

FOREIGN PATENT DOCUMENTS

CN 303808056 * 8/2016
CN 304976329 * 1/2019

(Continued)

OTHER PUBLICATIONS

“Black Diamond Sprinter 275 Headlamp,” Nov. 11, 2019, amazon.com, site visited Sep. 10, 2021, URL: <https://www.amazon.com/dp/B081B9JJZR/?tag=thewire06-20&linkCode=xml2&ascsubtag=AwEAAAAAAAAAAfww1> (Year: 2019).*

(Continued)

Primary Examiner — Eric L Goodman
Assistant Examiner — Sarah L Smith
(74) *Attorney, Agent, or Firm* — Zhihua Han; Wen IP LLC

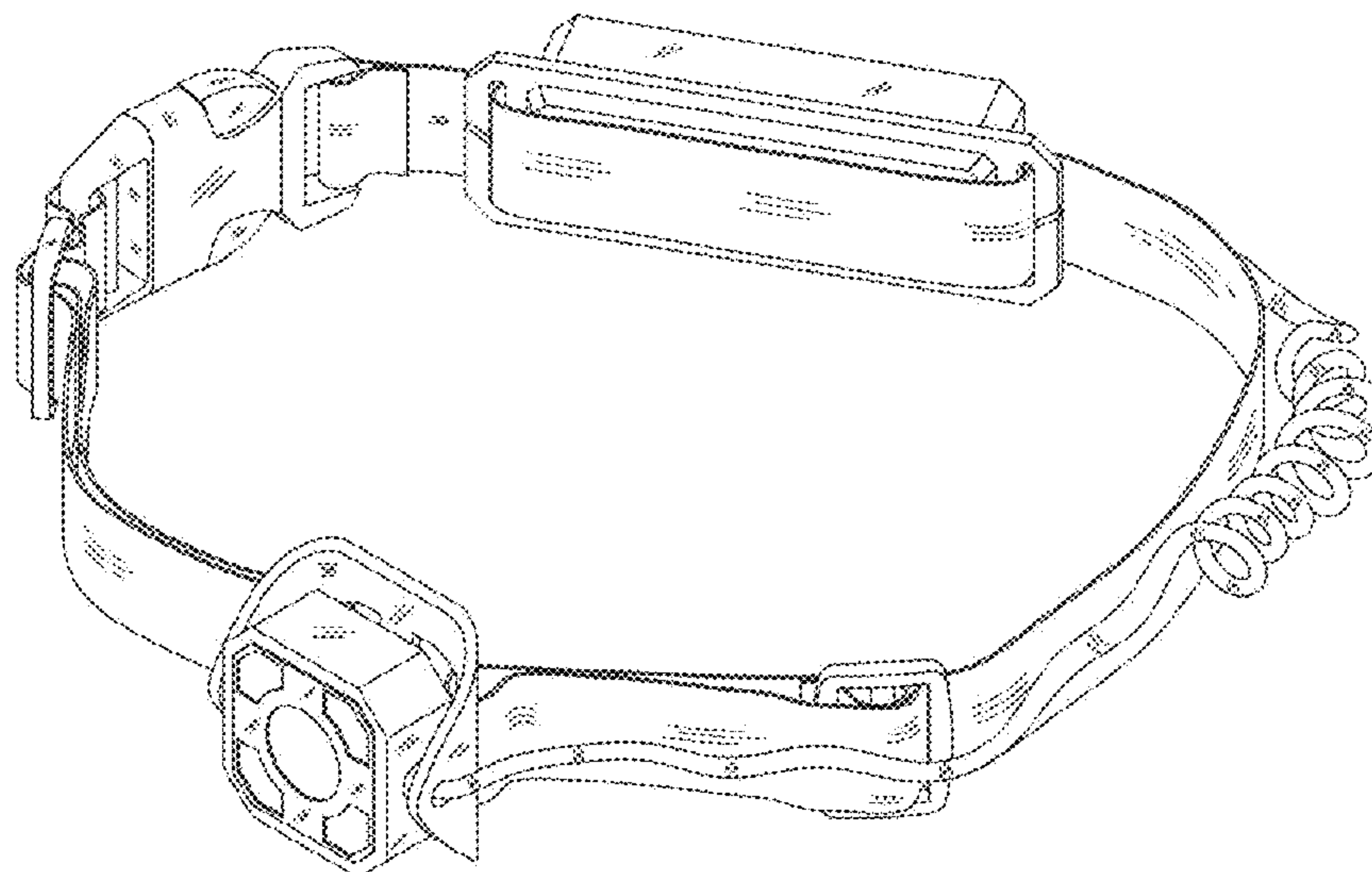
(57) **CLAIM**

The ornamental design for a running light, as shown and described.

DESCRIPTION

FIG. 1 is a perspective view of a running light, showing my new design;
FIG. 2 is a front elevation view thereof;
FIG. 3 is a rear elevation view thereof;
FIG. 4 is a left side elevation view thereof;
FIG. 5 is a right side elevation view thereof;
FIG. 6 is a top plan view thereof; and,
FIG. 7 is a bottom plan view thereof.

1 Claim, 7 Drawing Sheets



(56)

References Cited

U.S. PATENT DOCUMENTS

D867,640 S * 11/2019 Windom D26/39
D872,331 S * 1/2020 Smith D26/39
D876,694 S * 2/2020 Inskeep D26/39
D877,949 S * 3/2020 Deng D26/39
D877,950 S * 3/2020 Yau D26/39
D884,235 S * 5/2020 Yau D26/39
D888,302 S * 6/2020 Boddaert F21L 4/08
D26/39
10,823,385 B1 * 11/2020 Huang F21V 23/005
2007/0025102 A1 * 2/2007 Yu F21L 13/06
362/192
2012/0228443 A1 * 9/2012 Du F16M 11/041
248/176.3
2018/0102655 A1 * 4/2018 Miller F21L 4/08
2019/0390845 A1 * 12/2019 Abbruzzi F21L 4/04

FOREIGN PATENT DOCUMENTS

EM 002019281-0002 * 4/2012
GB 9008339022-0002 * 12/2020

OTHER PUBLICATIONS

“Running Light,” Dec. 5, 2019, amazon.com, site visited Sep. 10, 2021, URL: <https://www.amazon.com/Running-Reflective-Runners-Rechargeable-Adventure/dp/B082DFHY41> (Year: 2019).*

“Avanto Pro Chest Running Light for Runners,” Oct. 25, 2019, amazon.com, site visited Sep. 10, 2021, URL: https://www.amazon.com/Adjustable-Reflector-Reflective-Flashlights-Rechargeable/dp/B07ZLLG6RJ/ref=sr_1_8?dchild=1&keywords=lutuo+running+light&qid=1631272508&s=hi&sr=1-8 (Year: 2019).*

* cited by examiner

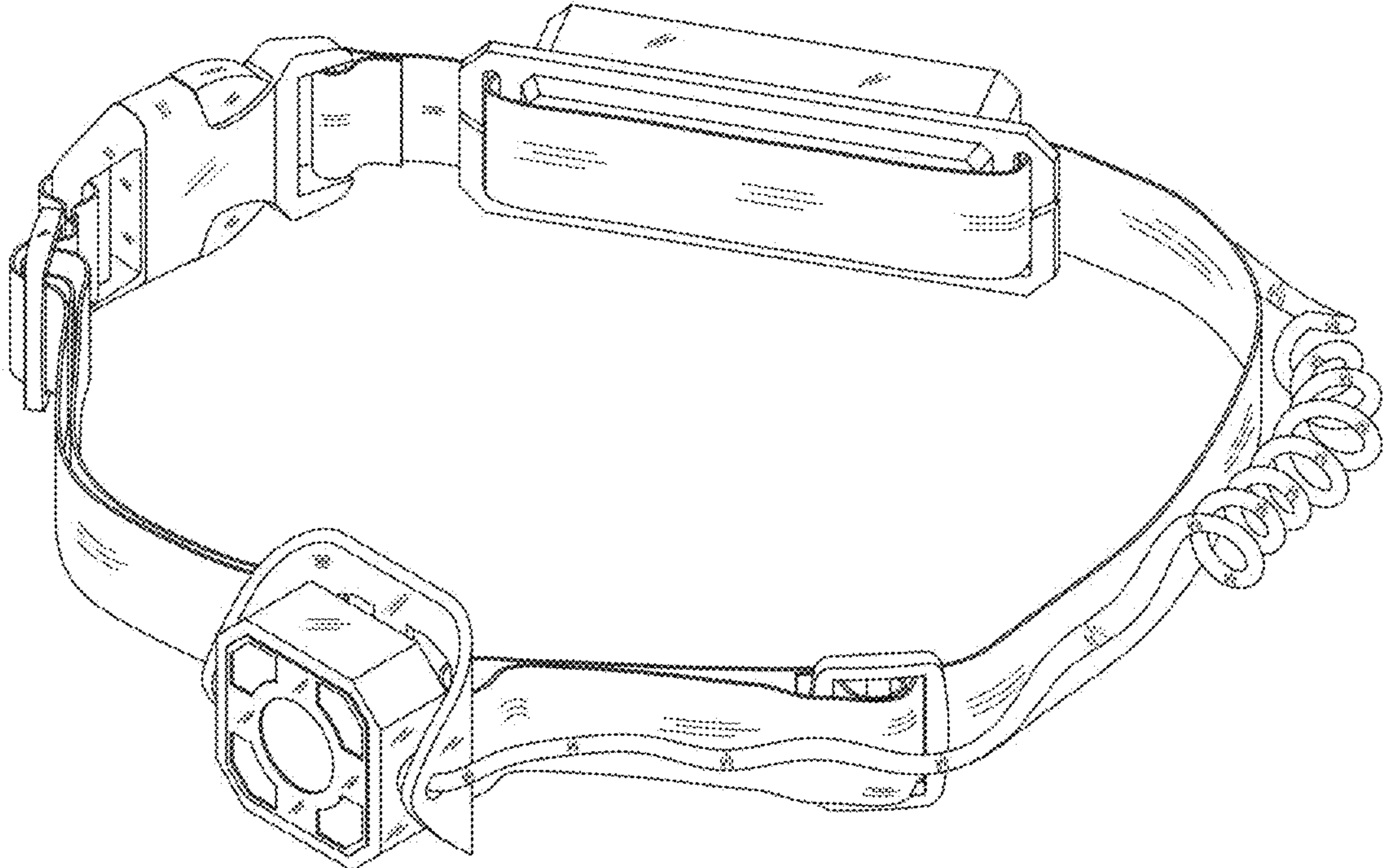


FIG.1

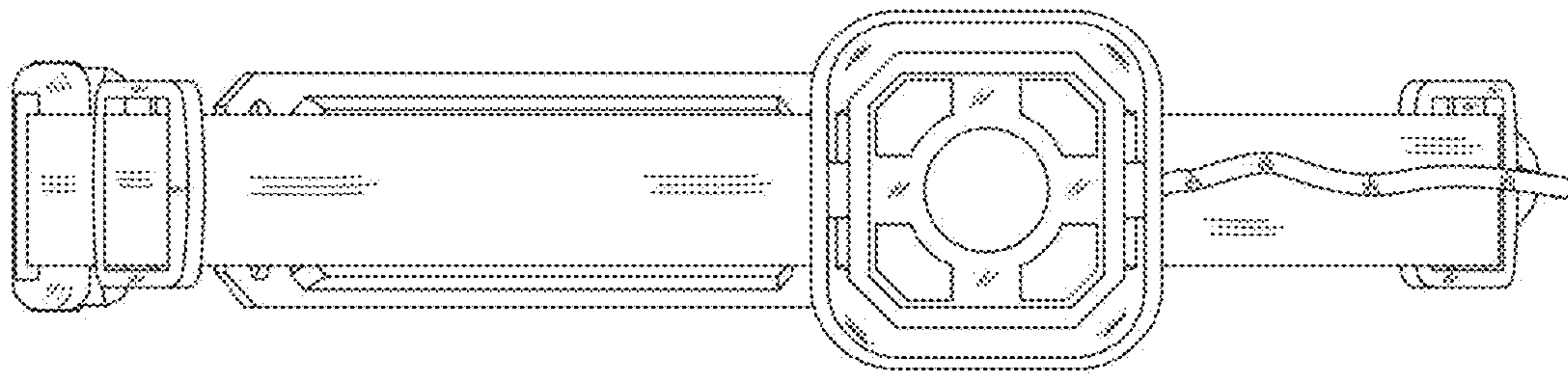


FIG. 2

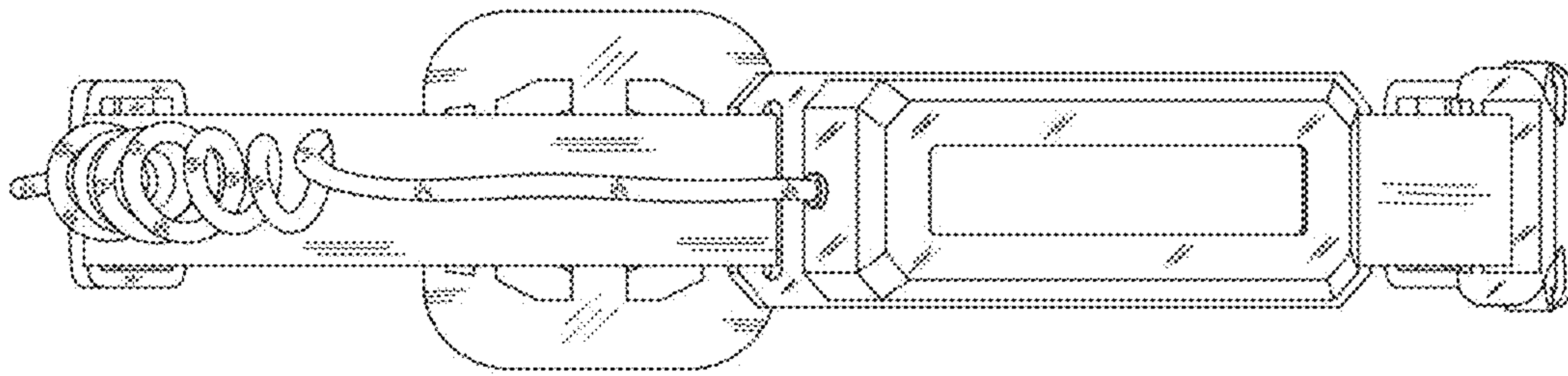


FIG. 3

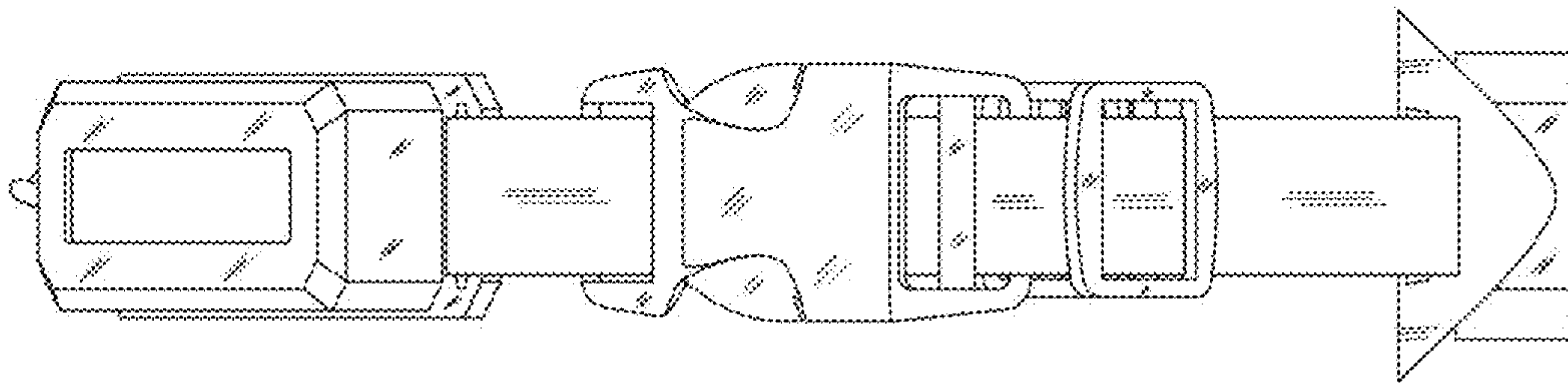


FIG. 4

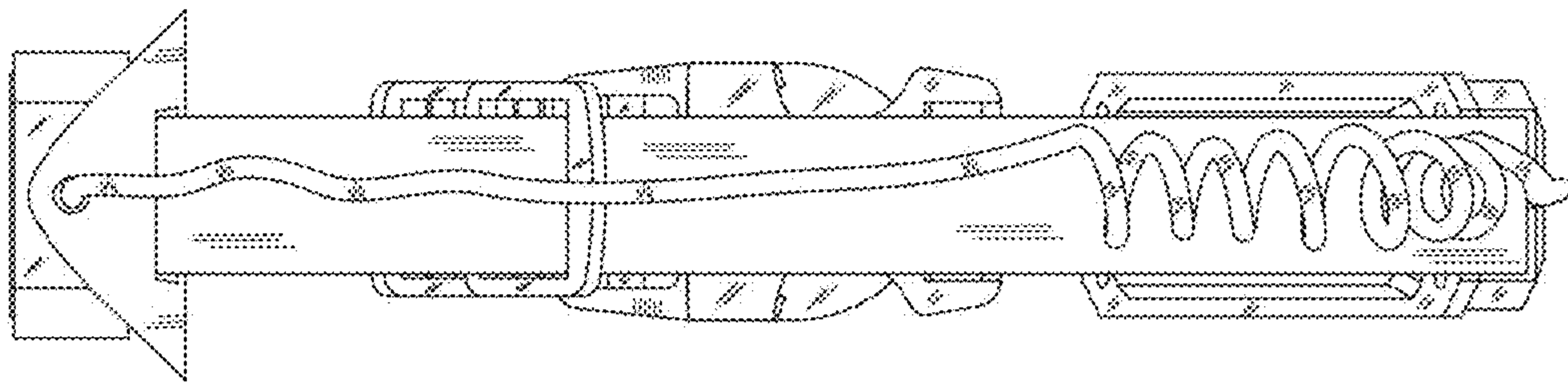


FIG. 5

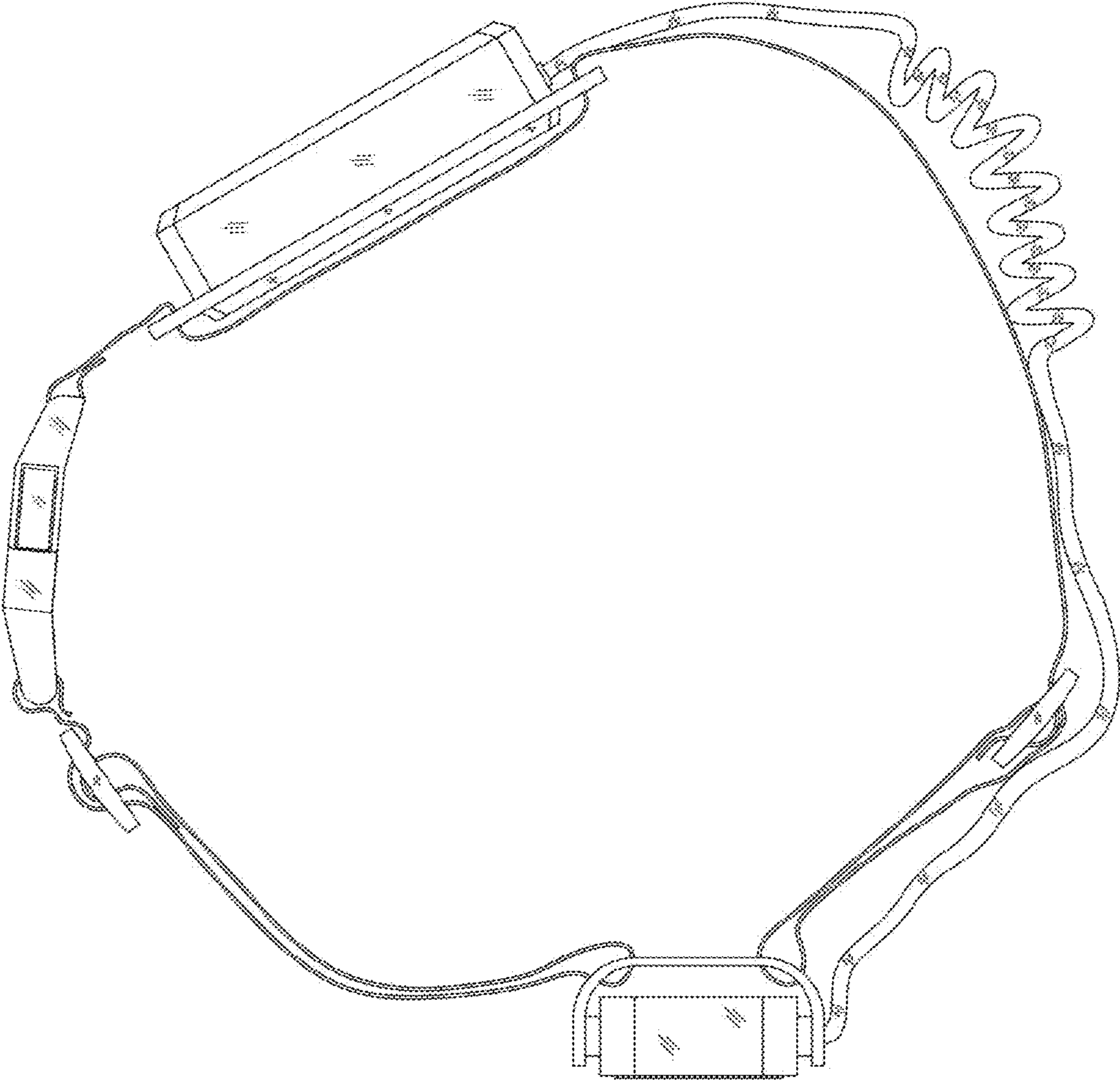


FIG. 6

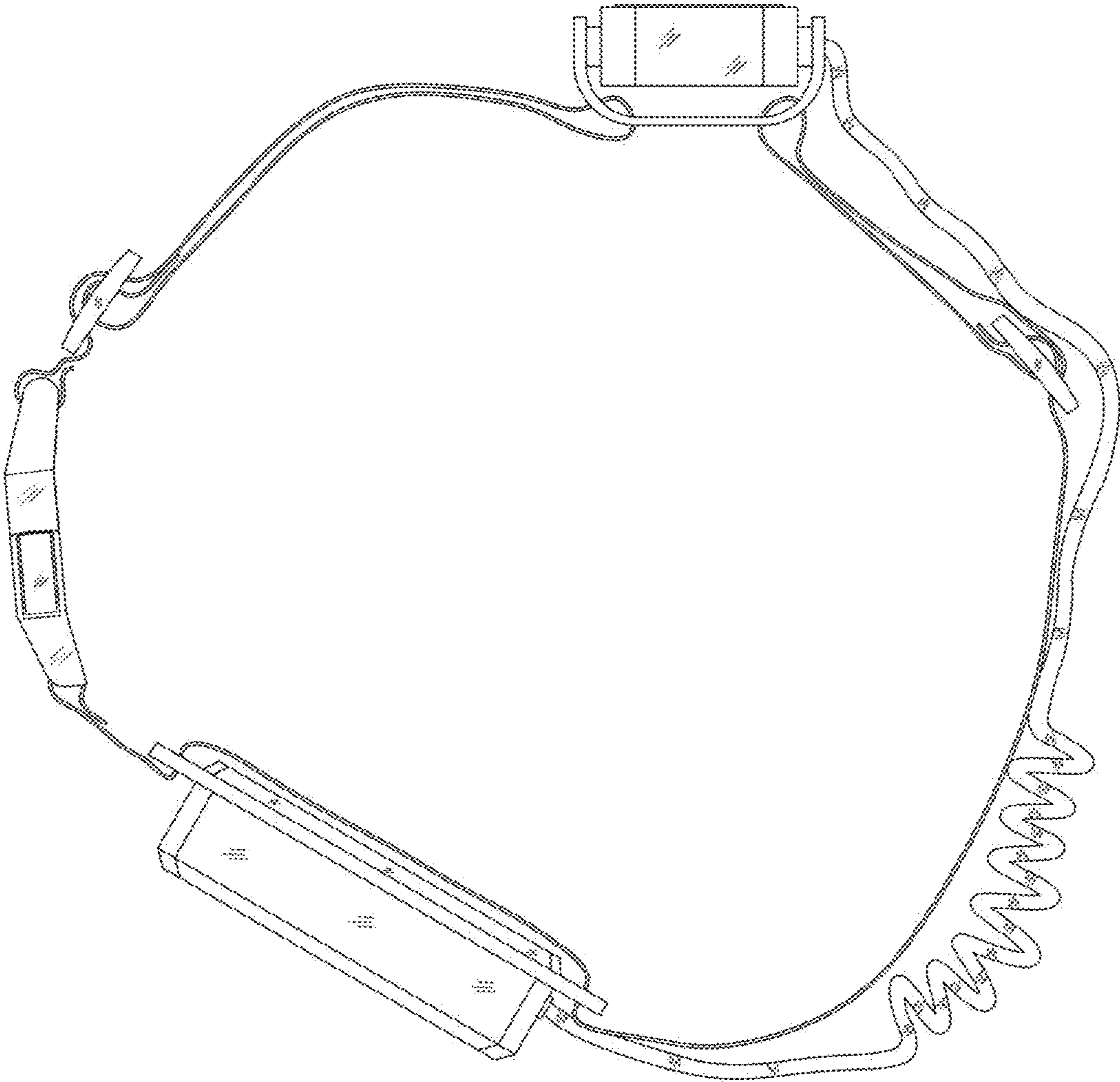


FIG. 7