



US00D940366S

(12) **United States Design Patent**
Cran et al.

(10) **Patent No.:** **US D940,366 S**
(45) **Date of Patent:** **** Jan. 4, 2022**

(54) **FLASHLIGHT**

FOREIGN PATENT DOCUMENTS

(71) Applicant: **MAKE GREAT SALES LIMITED,**
Wanchai (HK)

CN 304554955 * 3/2018
CN 305099771 * 4/2019

(Continued)

(72) Inventors: **Bruce Peter Cran,** Ho Chi Minh (VN);
Kin Choi Lee, Wanchai (HK)

OTHER PUBLICATIONS

(73) Assignee: **Make Great Sales Limited,** Hong
Kong (HK)

“Fenix LD22 R5 200 Lumen Cree,” Dec. 19, 2012, newegg.com,
site visited Jun. 15, 2021, URL: https://www.newegg.com/fenixlight-ld22-flashlight-black/p/03V-00U5-00010?Description=flashlights&cm_re=flashlights-_-9SIA10V0KU1002-_-Product (Year: 2012).*

(Continued)

(**) Term: **15 Years**

Primary Examiner — Eric L Goodman

Assistant Examiner — Sarah L Smith

(21) Appl. No.: **29/708,885**

(74) *Attorney, Agent, or Firm* — Onello & Mello, LLP

(22) Filed: **Oct. 10, 2019**

(51) **LOC (13) Cl.** **26-02**

(52) **U.S. Cl.**
USPC **D26/37**

(58) **Field of Classification Search**
USPC D26/37–44, 46–52; D10/111–115
CPC F21L 4/027; F21V 23/0414; F21V 14/065;
F21V 5/04; F21Y 2113/00
See application file for complete search history.

(57) **CLAIM**

The ornamental design for a flashlight, as shown and described.

DESCRIPTION

FIG. 1 is a front isometric view of a flashlight in an open state, in accordance with our design;
FIG. 2 is a rear isometric view of the flashlight of FIG. 1;
FIG. 3 is a right side view of the flashlight of FIG. 1;
FIG. 4 is a left side view of the flashlight of FIG. 1;
FIG. 5 is a front view of the flashlight of FIG. 1;
FIG. 6 is a rear view of the flashlight of FIG. 1;
FIG. 7 is a top view of the flashlight of FIG. 1;
FIG. 8 is a bottom view of the flashlight of FIG. 1;
FIG. 9 is a front isometric view of the flashlight of FIG. 1 in a closed state, in accordance with our design;
FIG. 10 is a rear isometric view of the flashlight of FIG. 9;
FIG. 11 is a right side view of the flashlight of FIG. 9;
FIG. 12 is a left side view of the flashlight of FIG. 9;
FIG. 13 is a front view of the flashlight of FIG. 9;
FIG. 14 is a rear view of the flashlight of FIG. 9;
FIG. 15 is a top view of the flashlight of FIG. 9; and,
FIG. 16 is a bottom view of the flashlight of FIG. 9.

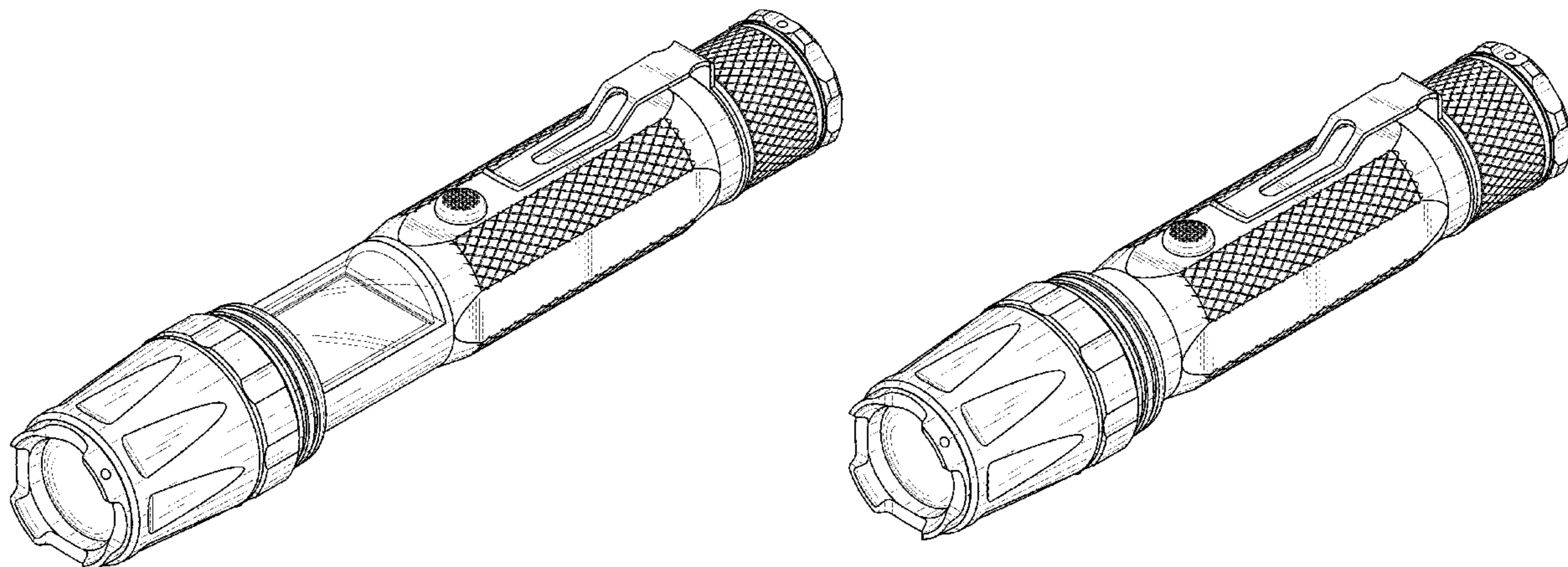
(56) **References Cited**

U.S. PATENT DOCUMENTS

D577,139 S	*	9/2008	Brown	D13/108
D590,970 S	*	4/2009	Kornfeld	D26/37
D601,287 S	*	9/2009	Caniparoli	H05B 45/50
					D26/49
D603,989 S	*	11/2009	Gardner	D26/49
D621,538 S	*	8/2010	Bushee	D26/49
D716,984 S	*	11/2014	Inskeep	D26/49
D745,200 S	*	12/2015	Inskeep	D26/49
D749,254 S	*	2/2016	Robinson	D26/37
D783,193 S	*	4/2017	Kao	D26/49
D853,610 S	*	7/2019	Galli	D26/49

(Continued)

1 Claim, 10 Drawing Sheets



(56)

References Cited

U.S. PATENT DOCUMENTS

D882,138	S	*	4/2020	Bao	D26/49
D884,233	S	*	5/2020	Petrucci	D26/38
D884,943	S	*	5/2020	Petrucci	D26/38
D900,367	S	*	10/2020	Petrucci	D26/49
D900,368	S	*	10/2020	Petrucci	D26/49
2008/0055891	A1	*	3/2008	Mattheis	F21V 23/0414 362/157
2008/0291666	A1	*	11/2008	Bushee	F21V 33/0076 362/206
2012/0274774	A1	*	11/2012	Bushee	G11B 33/025 348/158
2016/0161069	A1	*	6/2016	Lam	F21L 4/027 362/205
2020/0396806	A1	*	12/2020	Parsons	H02J 7/00
2021/0116079	A1	*	4/2021	Hunt	H05B 45/50

FOREIGN PATENT DOCUMENTS

KR	300579679.0001	*	11/2010	G11B 33/10
KR	300999781.0000	*	3/2019	
WO	WO-2011059849	A2	5/2011	G11B 33/10

OTHER PUBLICATIONS

“2 Pcs XML T6 LED Flashlight,” Oct. 5, 2018, amazon.com, site visited Jun. 14, 2021, URL: https://www.amazon.com/TACLIGHT-Flashlight-Lantern-Magnetic-Taclight/dp/B07GN6KZC9/ref=sr_1_100?dchild=1&keywords=farpoint+light&qid=1623690416&sr=8-100 (Year: 2018).*

“C-Xka LED Flashlight Zoom,” Aug. 4, 2018, amazon.com, site visited 14 https://www.amazon.com/C-Xka-Flashlight-Multifunctional-Long-range-Rechargeable/dp/B07G61HZLX/ref=sr_1_100?dchild=1&keywords=multifunctional+flashlight&qid=1623693198&sr=8-100 (Year: 2018).*

“Flashlight Rechargeable,” Apr. 6, 2018, amazon.com, site visited Jul. 6, 2021, URL: https://www.amazon.com/Flashlight-Led-torch-Light-Rechargeable/dp/B07BZJ1K3R/ref=sr_1_59?dchild=1&keywords=fotialamp&qid=1625575630&sr=8-59 (Year: 2018).*

* cited by examiner

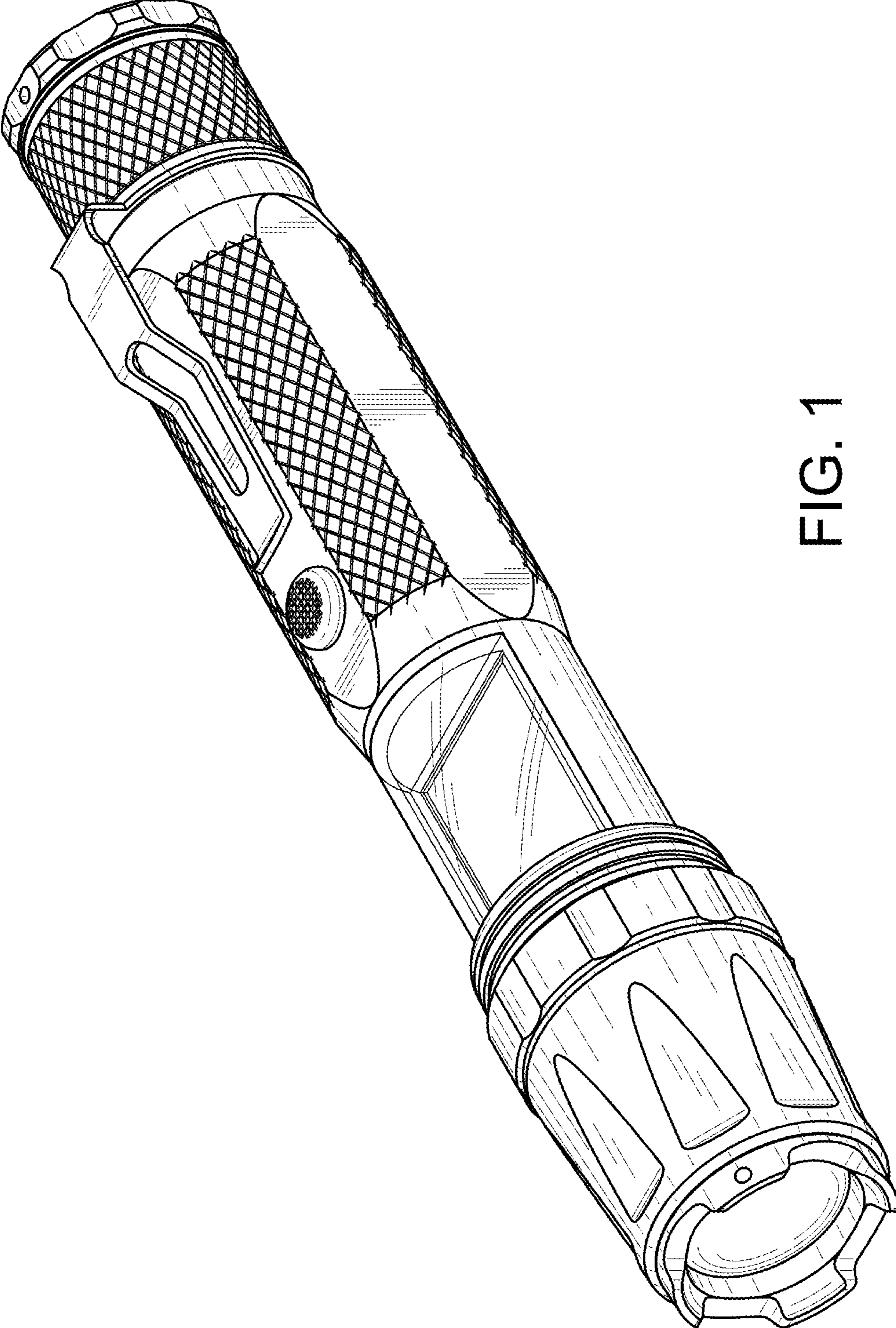


FIG. 1

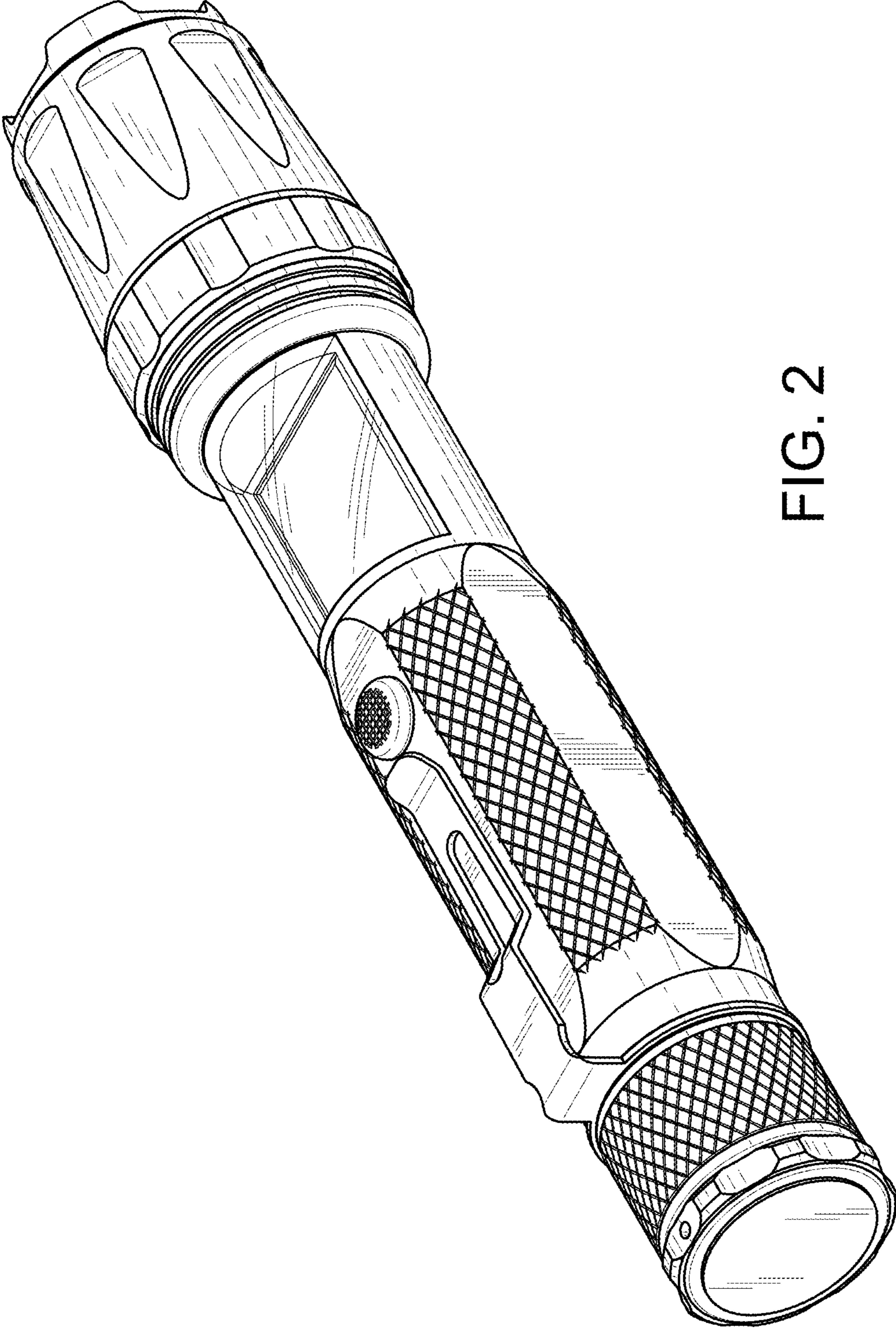


FIG. 2

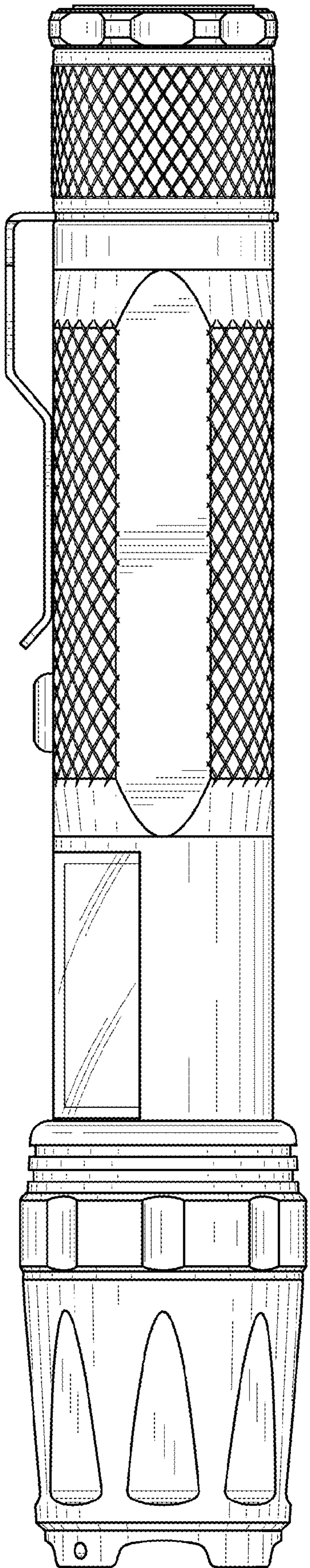


FIG. 3

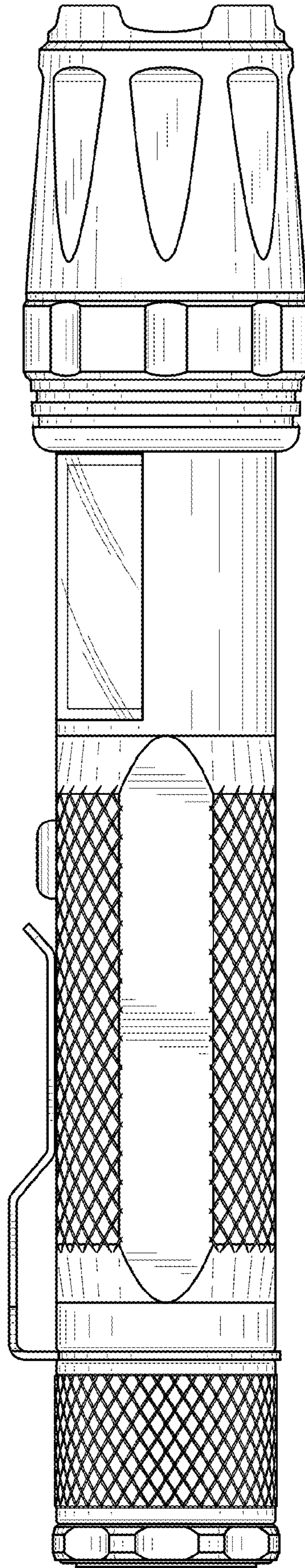


FIG. 4

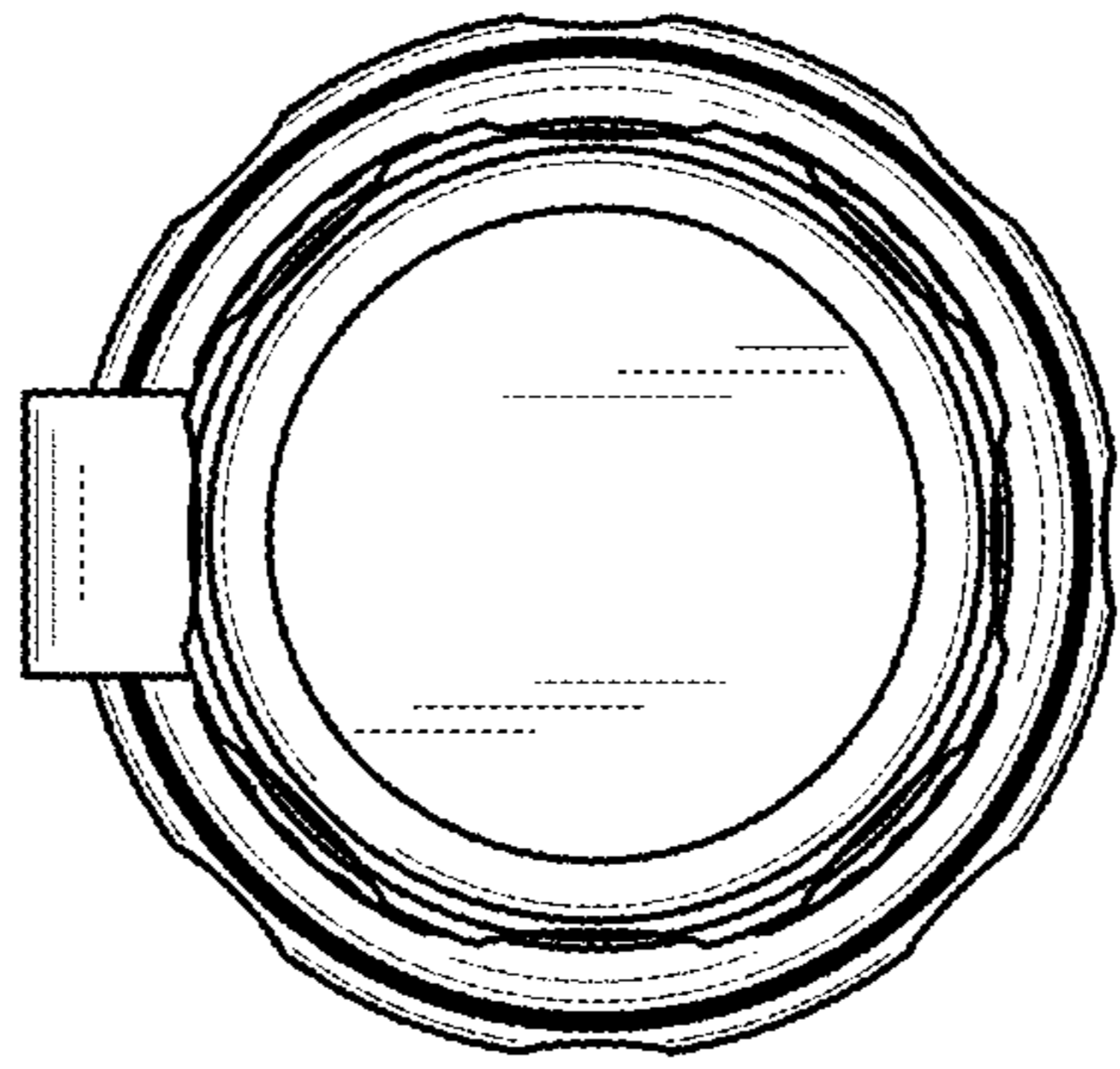


FIG. 6

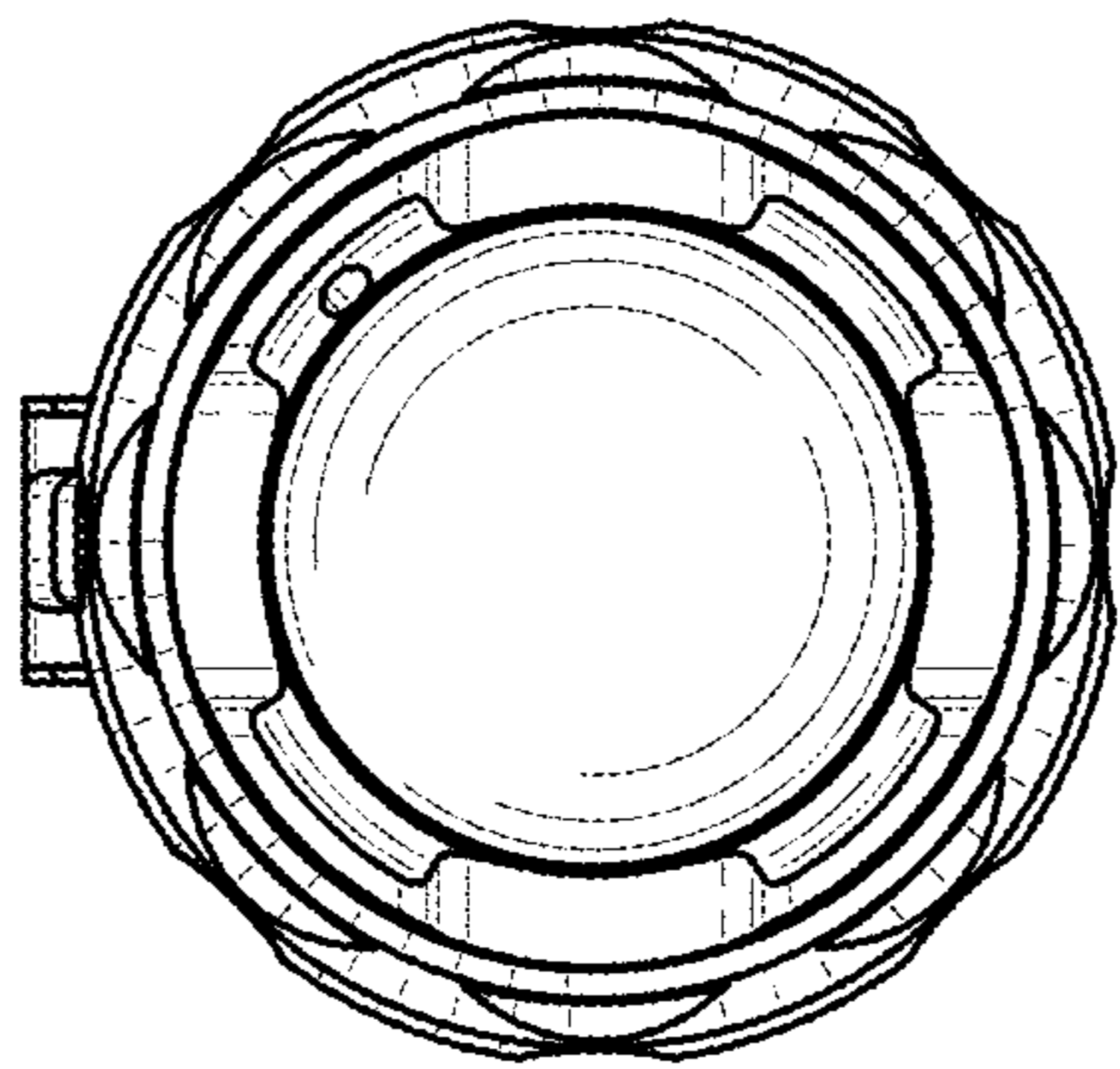


FIG. 5

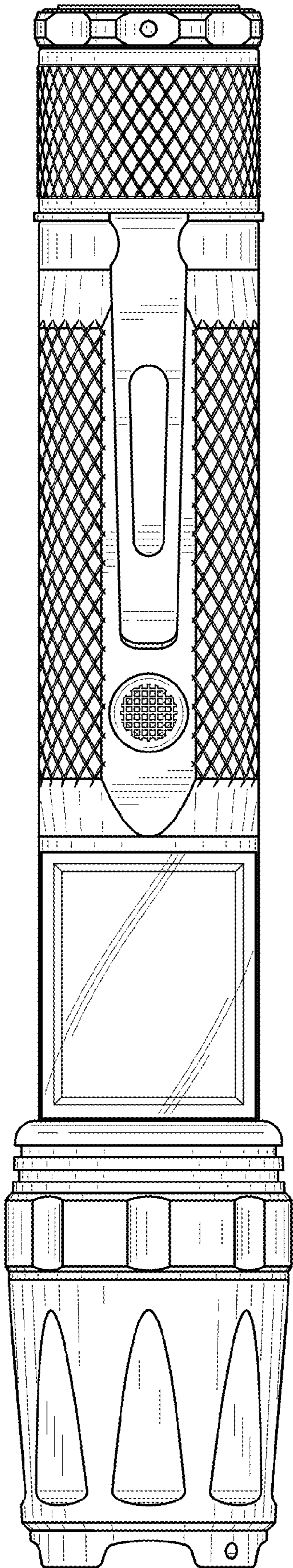


FIG. 7

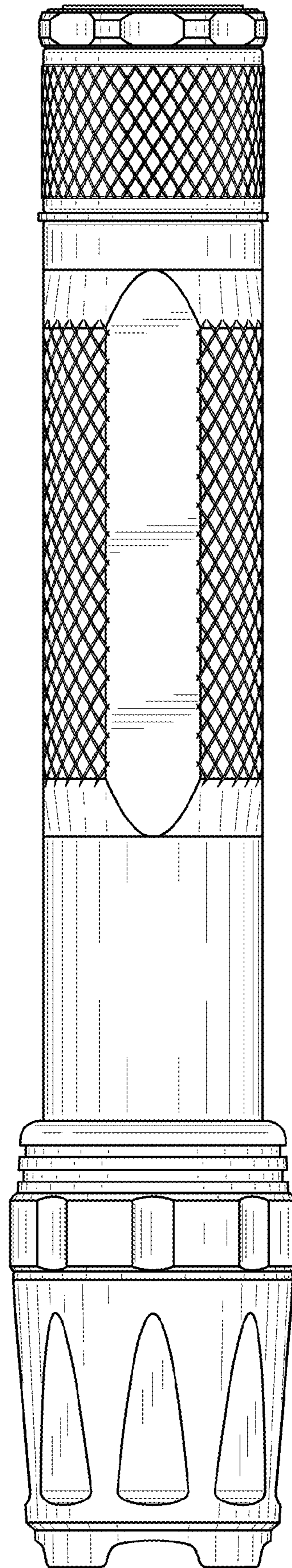


FIG. 8

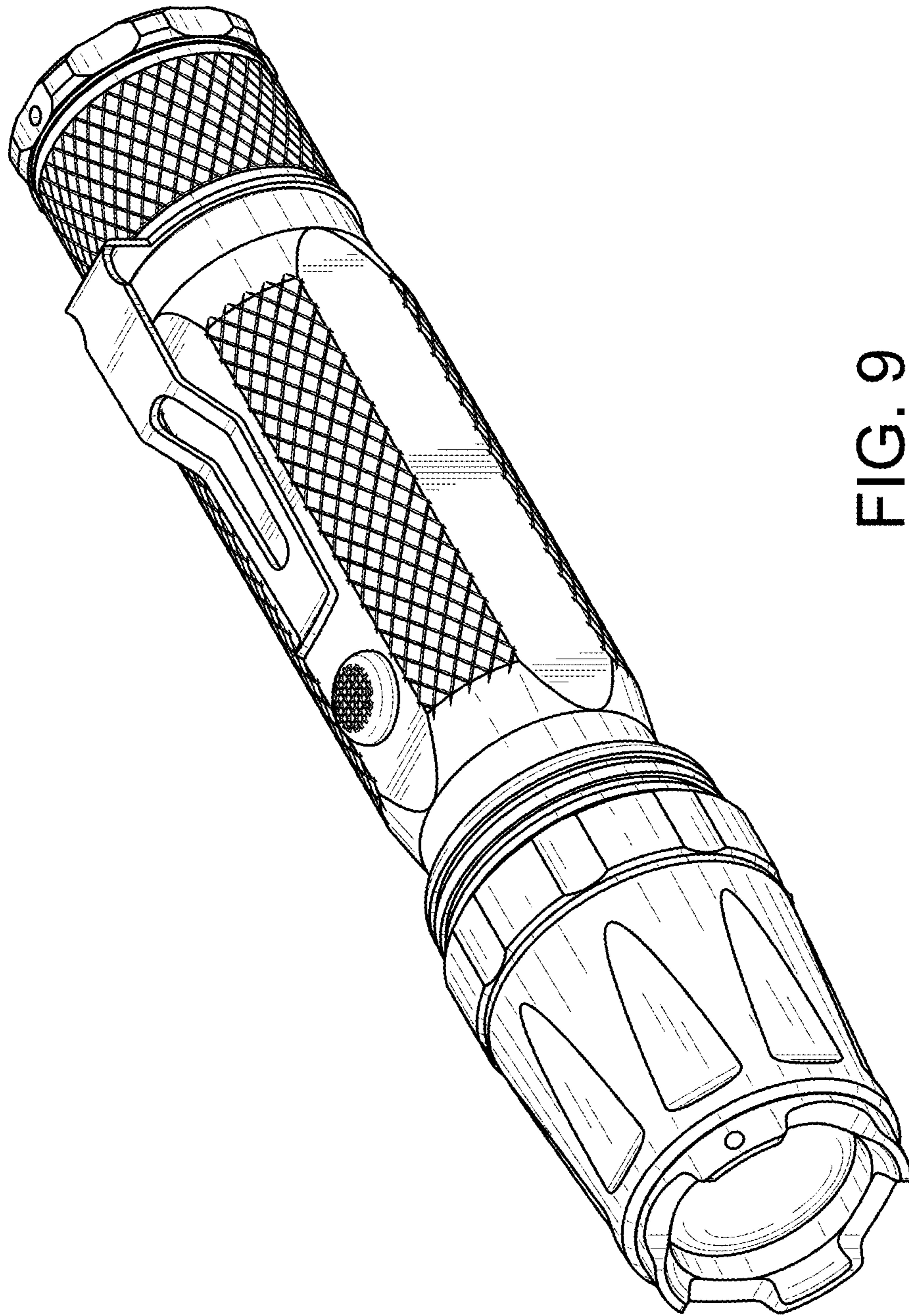


FIG. 9

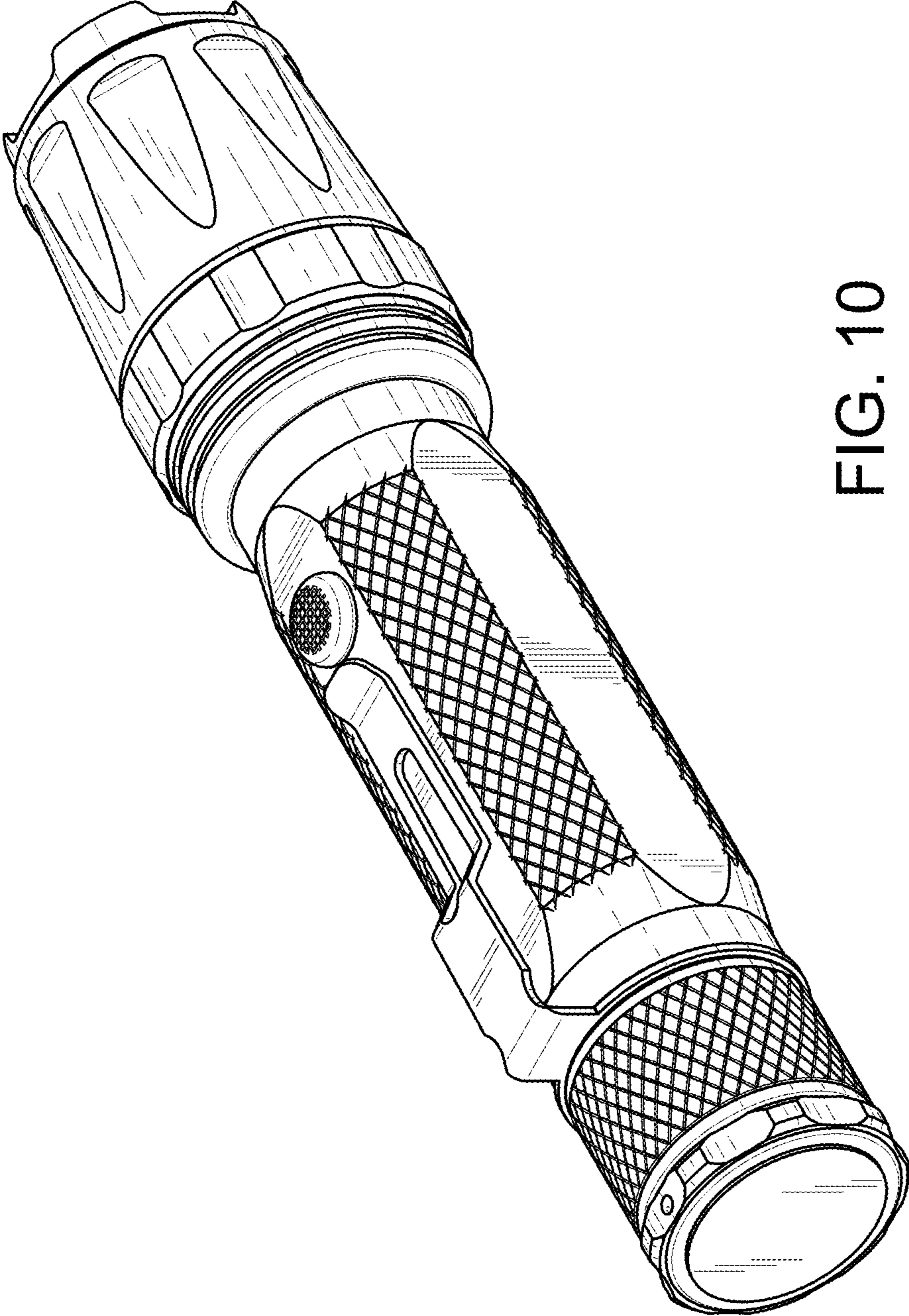


FIG. 10

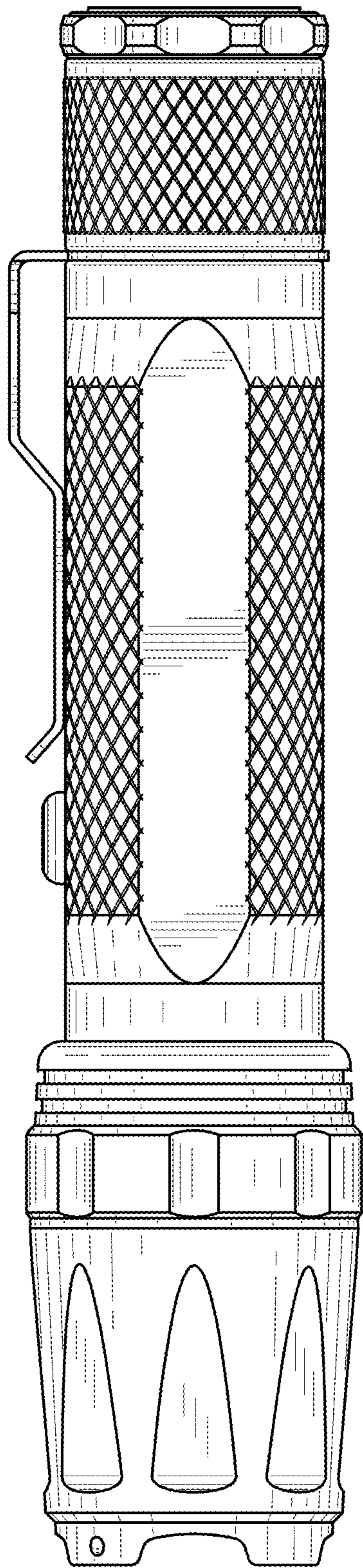


FIG. 11

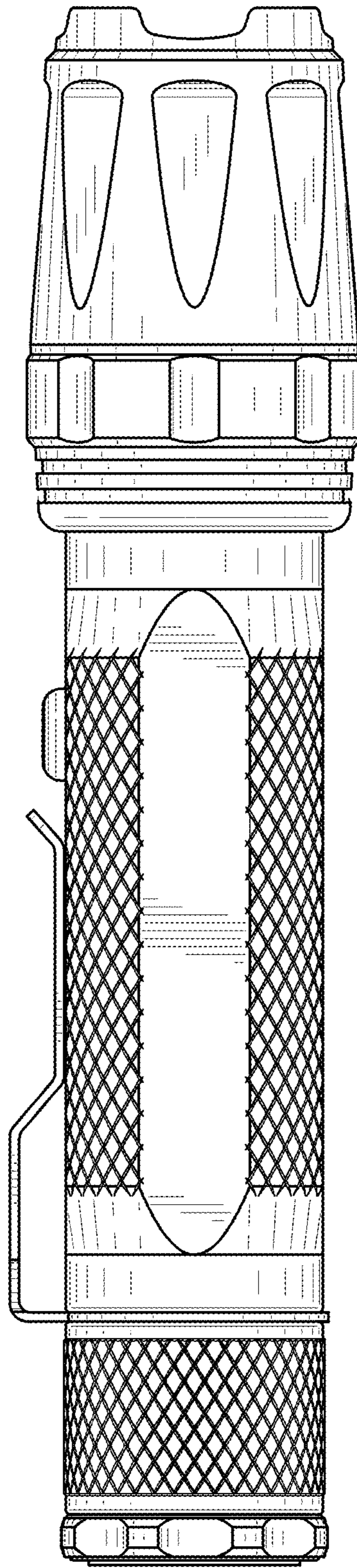


FIG. 12

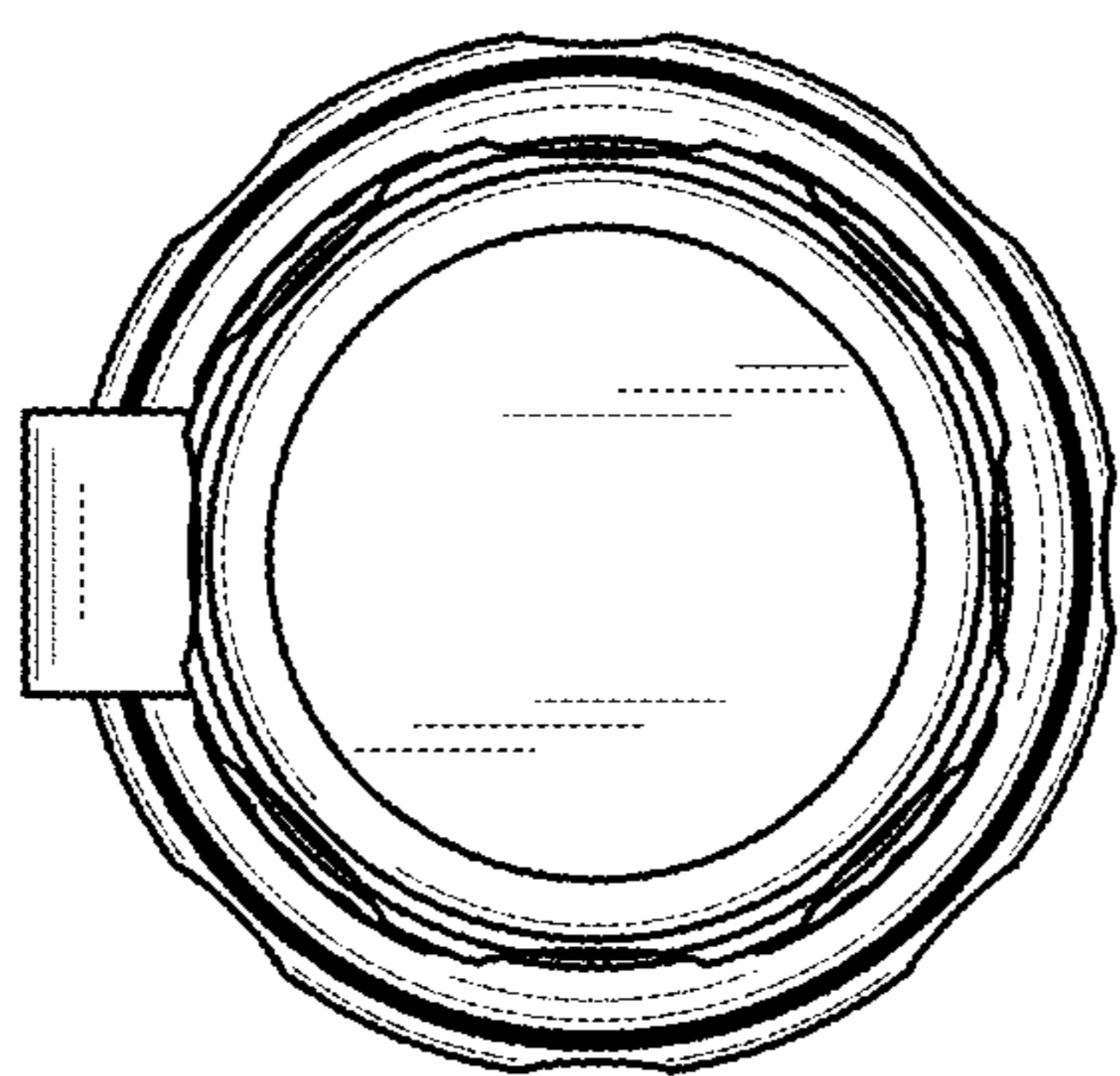


FIG. 14

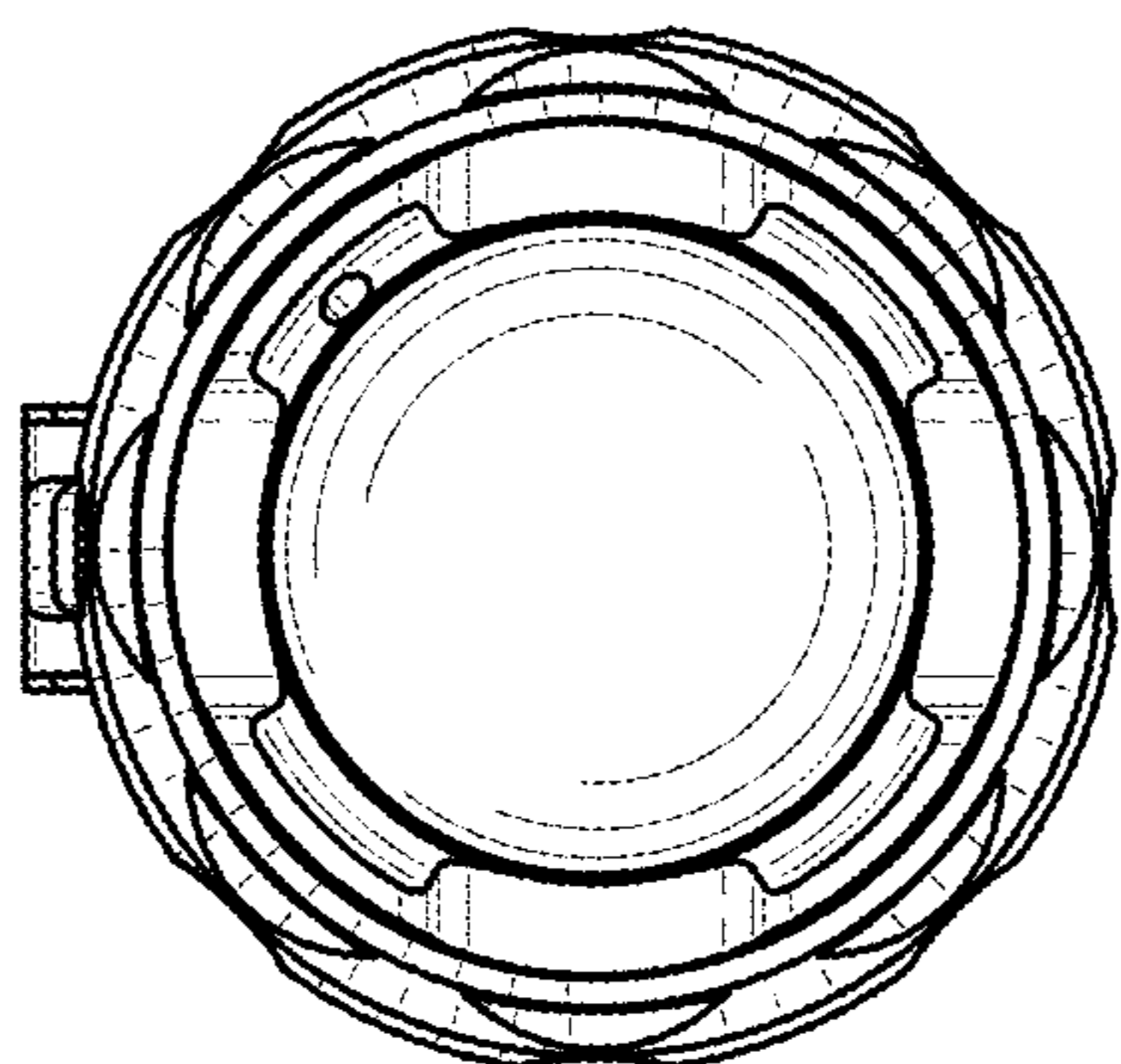


FIG. 13

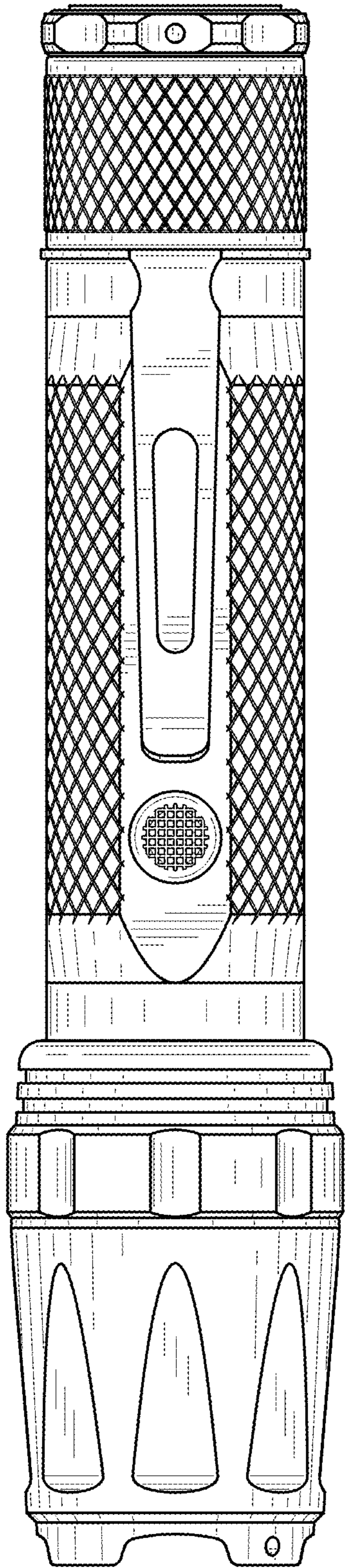


FIG. 15

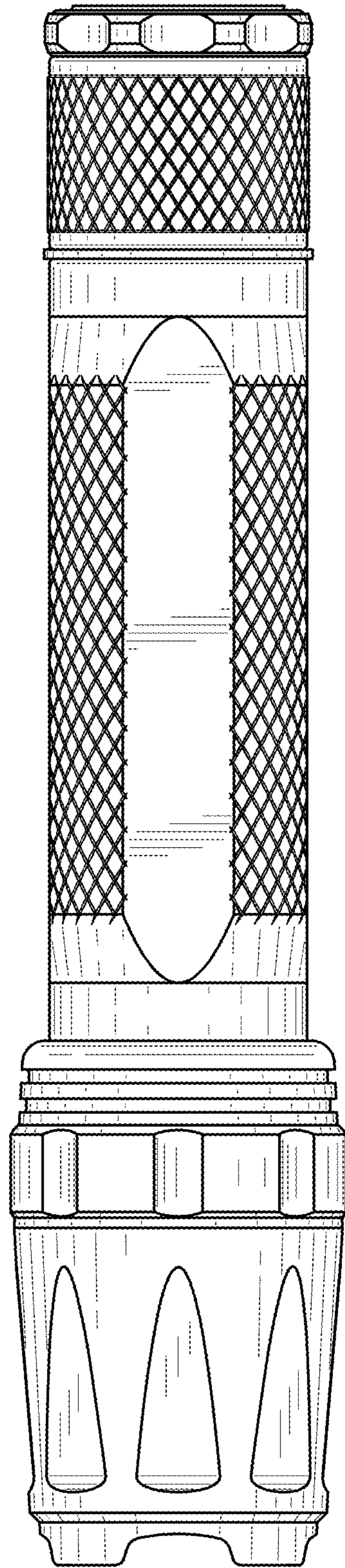


FIG. 16