



US00D940363S

(12) **United States Design Patent** (10) **Patent No.:** **US D940,363 S**  
**Ye et al.** (45) **Date of Patent:** **\*\* Jan. 4, 2022**

(54) **HEADLIGHT FOR AN ALL-TERRAIN VEHICLE**

(71) Applicant: **Shanghai Yixing Power Technology Co., Ltd.**, Shanghai (CN)

(72) Inventors: **Zhangde Ye**, Shanghai (CN); **Hong Ge**, Shanghai (CN); **Lingping Fu**, Shanghai (CN)

(73) Assignee: **Shanghai Yixing Power Technology Co., Ltd.**, Shanghai (CN)

(\*\*) Term: **15 Years**

(21) Appl. No.: **29/757,009**

(22) Filed: **Nov. 2, 2020**

**Related U.S. Application Data**

(62) Division of application No. 29/707,216, filed on Sep. 26, 2019, now Pat. No. Des. 908,536.

(30) **Foreign Application Priority Data**

Mar. 29, 2019 (CN) ..... 201930138102.3  
Mar. 29, 2019 (CN) ..... 201930138103.8  
Mar. 29, 2019 (CN) ..... 201930138678.X

(51) **LOC (13) Cl.** ..... **26-06**

(52) **U.S. Cl.**  
USPC ..... **D26/28**

(58) **Field of Classification Search**

USPC ... D26/2, 26, 28, 29, 31, 34, 35, 36, 39, 60, D26/74, 113, 114, 118, 120, 122, 129, D26/136, 139; D12/1, 7, 14, 82, 85, 86, D12/87, 88, 89, 90, 91, 92, 93, 96, 97, D12/98, 99, 106, 114, 163, 164, 165, 166, D12/167, 169, 170, 171, 172, 173, 181, D12/190, 196, 216, 223, 400; D15/28, D15/31; D21/533, 548, 552, 561  
CPC ... B60Q 1/02; B60Q 1/04; B60Q 1/22; B60Q 1/26; B60Q 1/44; B60Q 1/2649; F21S 41/00; F21S 41/20; F21S 43/00; F21S 43/14; F21S 45/00; F21S 45/10; F21V 21/04

See application file for complete search history.

(56) **References Cited**

U.S. PATENT DOCUMENTS

D147,577 S \* 9/1947 Cadwallader ..... D26/120  
D190,759 S \* 6/1961 Schreckengost ..... D26/128

(Continued)

OTHER PUBLICATIONS

Hammerhead Off-Road LE-150, Published on May 28, 2019 [online], [retrieved on Jun. 1, 2021]. Retrieved from the Internet: <https://www.youtube.com/watch?v=BF5TeJvDTm0> (Year: 2019).\*

(Continued)

*Primary Examiner* — Christian P. McLean

*Assistant Examiner* — Adam C Mager

(74) *Attorney, Agent, or Firm* — Faegre Drinker Biddle & Reath LLP

(57) **CLAIM**

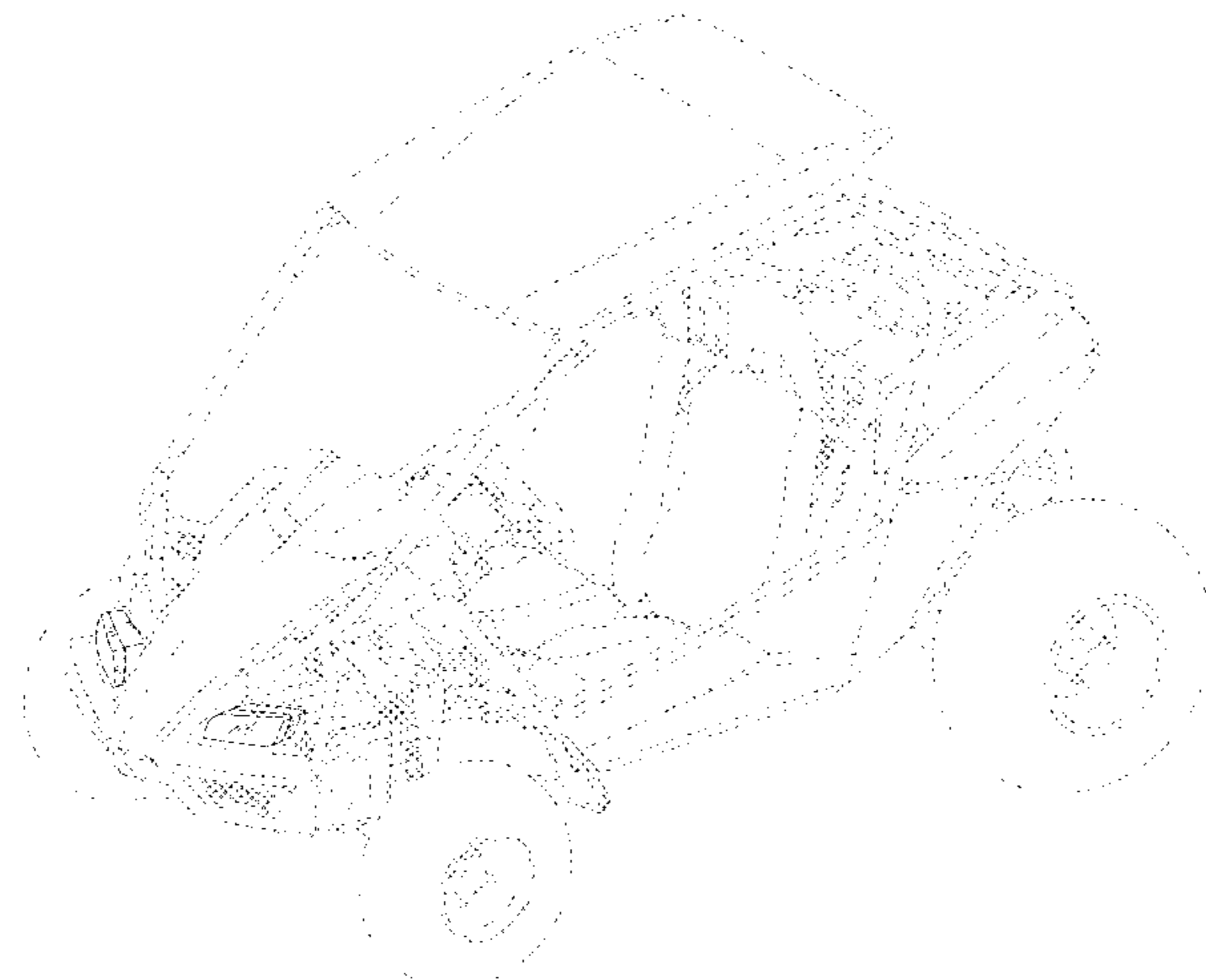
The ornamental design for a headlight for an all-terrain vehicle, as shown and described.

**DESCRIPTION**

FIG. 1 is a left front perspective view of headlights for an all-terrain vehicle of the present disclosure;  
FIG. 2 is a right rear perspective view thereof;  
FIG. 3 is a left side view thereof;  
FIG. 4 is a right side view thereof;  
FIG. 5 is a top view thereof;  
FIG. 6 is a front view thereof; and,  
FIG. 7 is a rear view thereof.

The portions of the vehicle and the vehicle components shown in broken lines form no part of the claimed design.

**1 Claim, 7 Drawing Sheets**



(56)

References Cited

U.S. PATENT DOCUMENTS

3,594,569 A \* 7/1971 Cranmore ..... B60Q 1/0683  
 362/419  
 D229,507 S \* 12/1973 Boano ..... D26/35  
 4,635,173 A \* 1/1987 Dressler ..... B60Q 1/0047  
 362/294  
 4,747,032 A \* 5/1988 Weber ..... F21S 48/335  
 362/294  
 4,903,173 A \* 2/1990 Mochizuki ..... F21S 41/321  
 362/544  
 D314,630 S \* 2/1991 Fukagawa ..... D26/28  
 5,117,335 A \* 5/1992 Yamada ..... B60Q 1/0041  
 362/544  
 5,121,303 A \* 6/1992 Shirai ..... B60Q 1/0686  
 33/335  
 5,530,629 A \* 6/1996 Uehara ..... B60Q 1/0683  
 362/273  
 D452,923 S \* 1/2002 Kim ..... D26/28  
 D465,590 S \* 11/2002 Warming ..... D26/28  
 D474,290 S \* 5/2003 Sawai ..... D26/28  
 D476,756 S \* 7/2003 Weber ..... D26/28  
 D485,923 S \* 1/2004 Kuo ..... D26/28  
 D495,440 S \* 8/2004 Hsieh ..... D26/28  
 D519,439 S 4/2006 Dahl  
 D520,252 S 5/2006 Tandrup  
 D521,662 S \* 5/2006 Chu ..... D26/28  
 D538,956 S \* 3/2007 Ishii ..... D26/28  
 D539,946 S \* 4/2007 Lamarre ..... D26/28  
 D549,133 S 8/2007 LePage  
 D562,734 S 2/2008 Tandrup  
 D569,015 S \* 5/2008 Tsukui ..... D26/28  
 D577,841 S \* 9/2008 Opfer ..... D26/28  
 D583,968 S \* 12/2008 Simons ..... D26/28  
 D595,188 S 6/2009 Tandrup  
 D595,613 S \* 7/2009 Lai ..... D12/14  
 D622,631 S 8/2010 Lai  
 D624,852 S 10/2010 Tandrup  
 D625,662 S 10/2010 Li  
 D636,707 S 4/2011 Bracy  
 D638,755 S 5/2011 Bracy  
 D647,225 S \* 10/2011 Conway ..... D26/2  
 D650,311 S 12/2011 Bracy  
 D657,720 S 4/2012 Eck  
 D658,320 S \* 4/2012 Goplen ..... D26/28  
 D662,855 S 7/2012 Wang  
 D670,840 S \* 11/2012 McCabe ..... D26/28  
 D691,519 S 10/2013 Fisher  
 D700,869 S \* 3/2014 Sato ..... D12/14  
 D703,102 S 4/2014 Eck  
 D708,769 S \* 7/2014 Badstuebner ..... D26/28

D712,309 S \* 9/2014 Wu ..... D12/14  
 D712,311 S 9/2014 Morgan  
 D714,186 S \* 9/2014 Wu ..... D12/14  
 D721,837 S \* 1/2015 Conway ..... D26/28  
 D742,046 S \* 10/2015 Hwang ..... D26/28  
 D759,129 S \* 6/2016 Kushita ..... D15/31  
 D762,522 S 8/2016 Kinoshita  
 D772,755 S 11/2016 Tandrup  
 D778,469 S \* 2/2017 Ito ..... D26/28  
 D778,470 S \* 2/2017 Ito ..... D26/28  
 D779,693 S \* 2/2017 Wolff ..... D26/28  
 D785,824 S \* 5/2017 Svensson ..... D26/28  
 D787,985 S 5/2017 Wilcox  
 9,713,976 B2 7/2017 Miller  
 D796,096 S \* 8/2017 Rudwal ..... D26/28  
 D796,708 S \* 9/2017 Lai ..... D26/28  
 D801,562 S \* 10/2017 Kang ..... D26/28  
 D802,812 S \* 11/2017 Lai ..... D26/28  
 D804,993 S 12/2017 Eck  
 D806,916 S \* 1/2018 Lai ..... D26/28  
 D827,500 S 9/2018 Lovold  
 D832,149 S 10/2018 Wilcox  
 D835,545 S 12/2018 Hanten  
 D851,300 S \* 6/2019 Lin ..... D26/28  
 D851,301 S \* 6/2019 Lin ..... D26/28  
 D858,815 S \* 9/2019 Huang ..... D26/28  
 D858,824 S \* 9/2019 Pinazzo ..... D26/28  
 D859,703 S \* 9/2019 Lai ..... D26/28  
 D862,286 S 10/2019 Flores  
 D864,439 S \* 10/2019 Janssen ..... D26/28  
 D865,237 S \* 10/2019 Wu ..... D26/28  
 D865,241 S \* 10/2019 Wu ..... D26/28  
 D866,823 S \* 11/2019 Lin ..... D26/28  
 D868,321 S \* 11/2019 Kong ..... D26/28  
 D877,374 S \* 3/2020 Luo ..... D26/28  
 D881,423 S \* 4/2020 Dunshee ..... D26/28  
 D886,678 S 6/2020 Lai  
 D889,699 S \* 7/2020 Woodhouse ..... D26/28  
 D895,862 S \* 9/2020 Lin ..... D26/28  
 D908,536 S \* 1/2021 Ye ..... D12/87  
 D909,633 S \* 2/2021 Hegge ..... D26/28  
 D909,635 S \* 2/2021 Huang ..... D26/28  
 2015/0224916 A1 \* 8/2015 Wandelt ..... F16B 5/0233  
 362/523  
 2017/0291353 A1 \* 10/2017 Sagesaka ..... B29C 65/1629

OTHER PUBLICATIONS

RZR S 1000 Dominant 60" Trail Weapon, 2020 Polaris RZR S 1000  
 SxS, rzr.polaris.com, published on or before Jul. 10, 2020; 9 pages.

\* cited by examiner

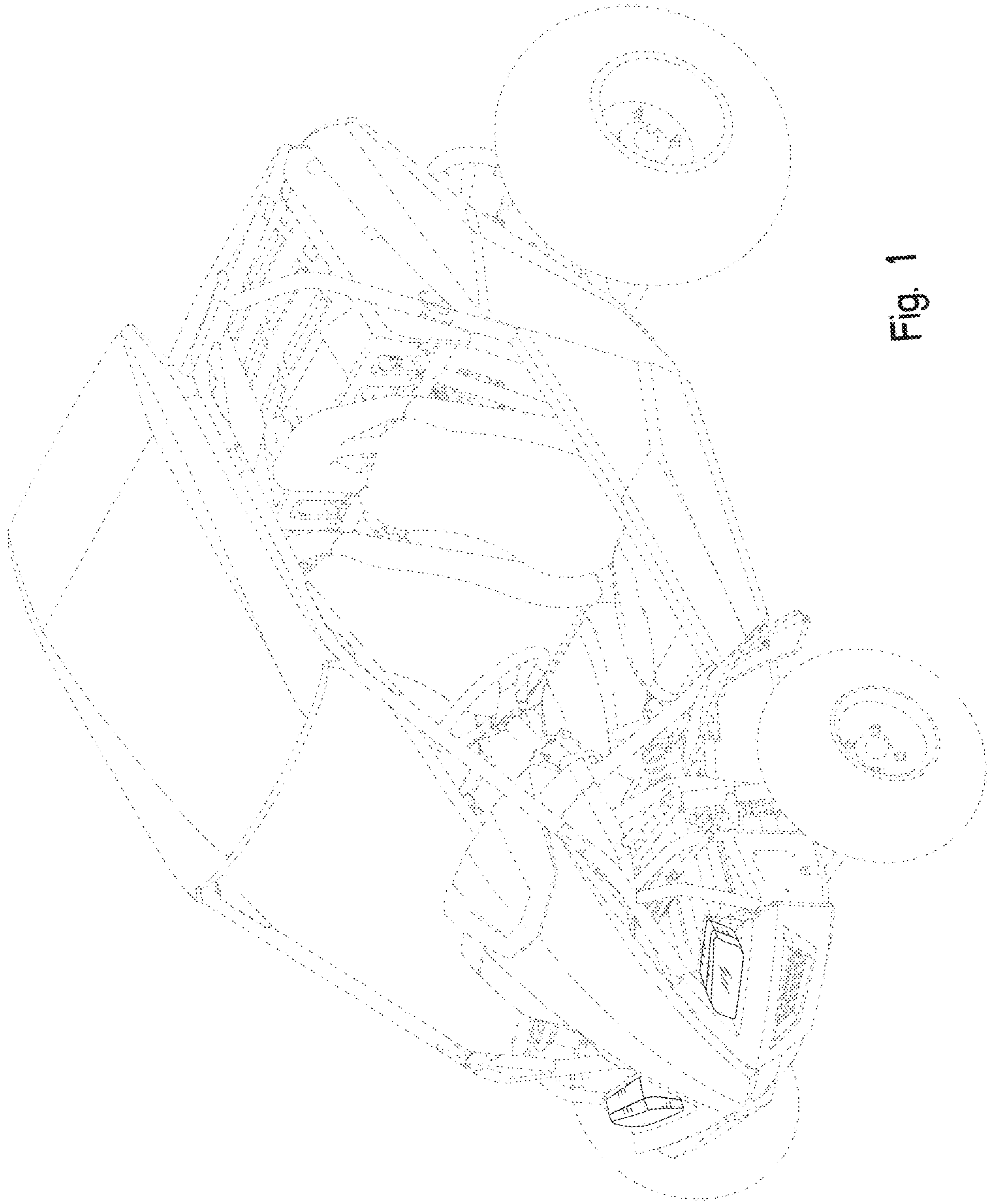


Fig. 1

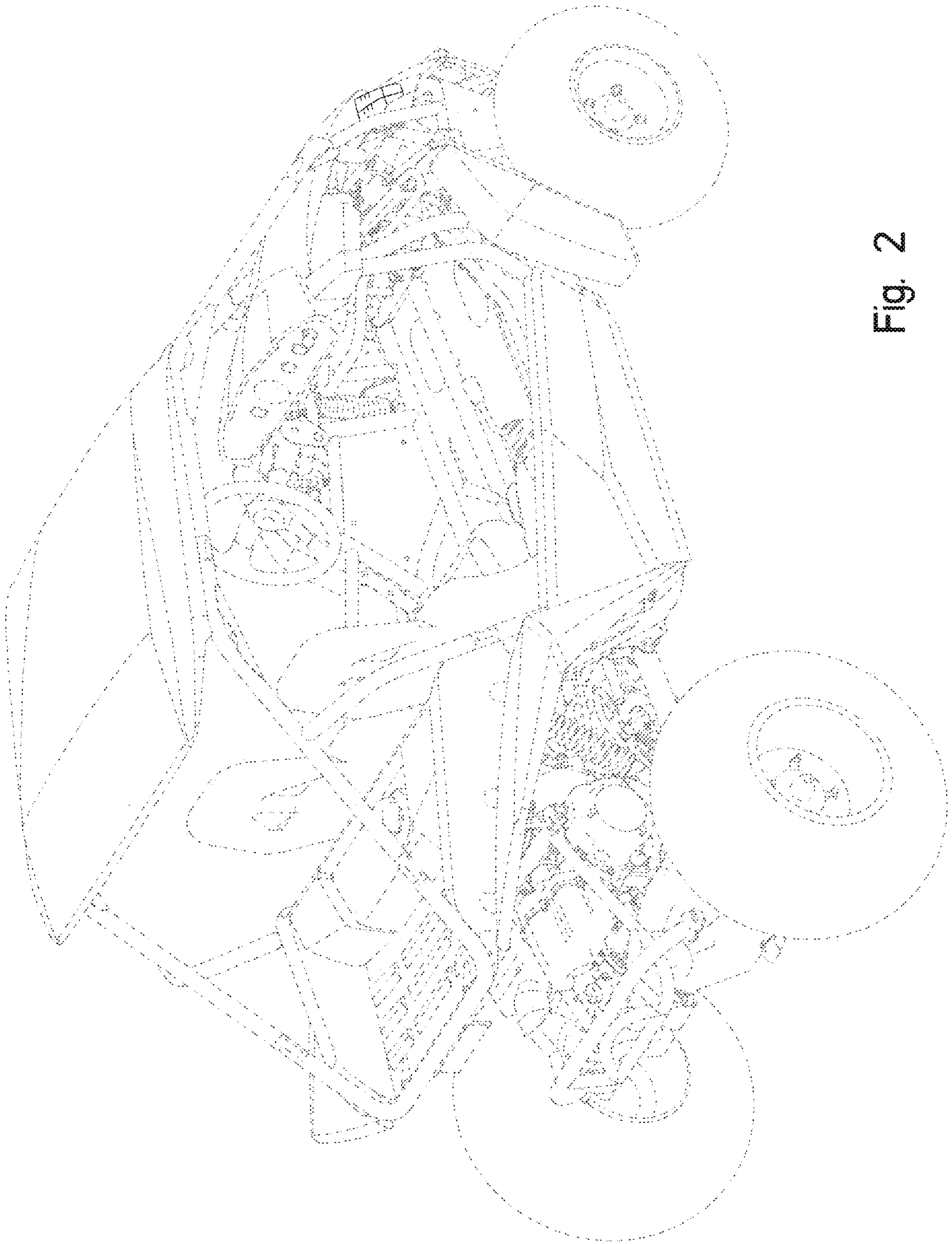


Fig. 2

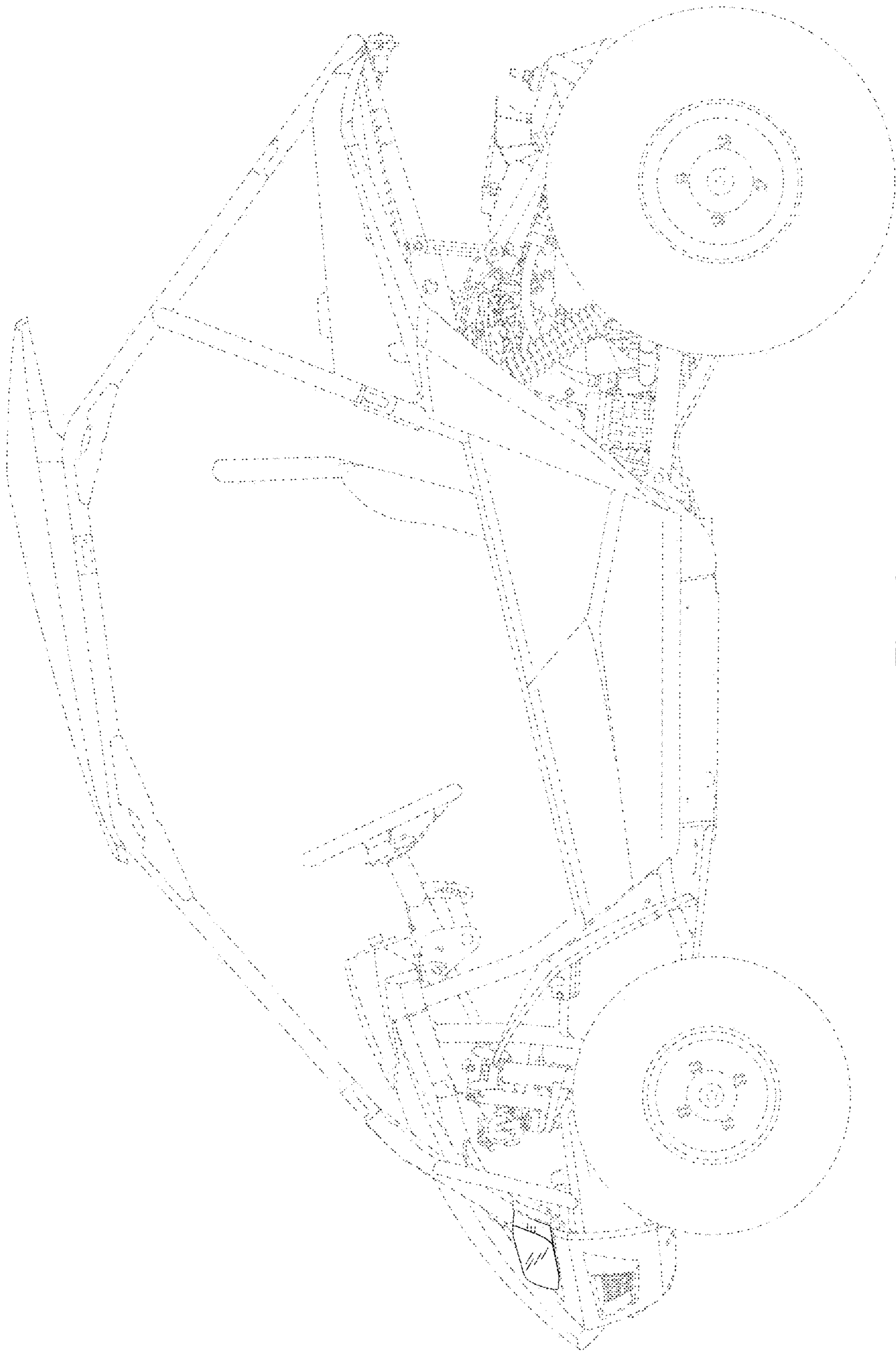


Fig. 3

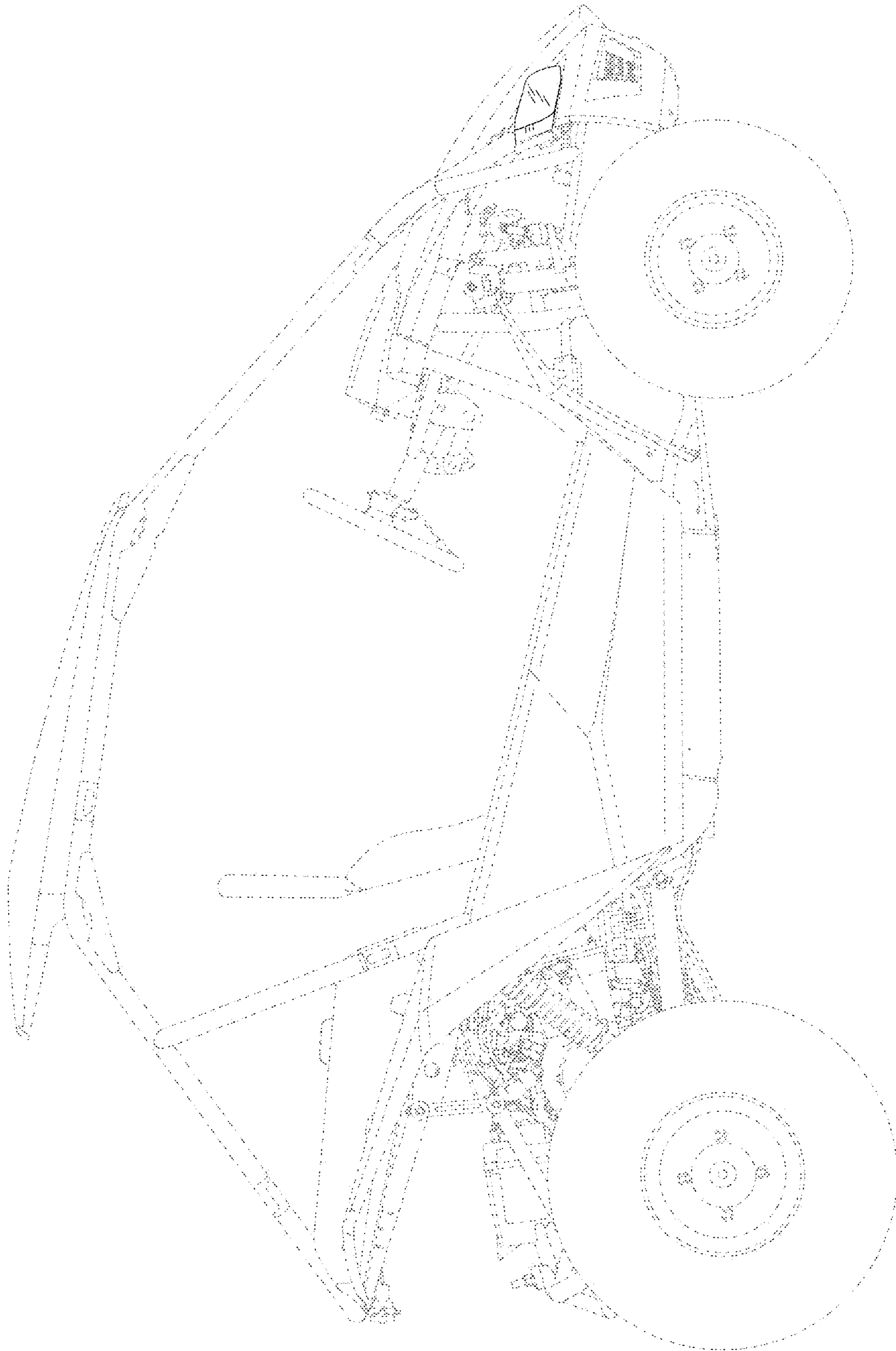


Fig. 4

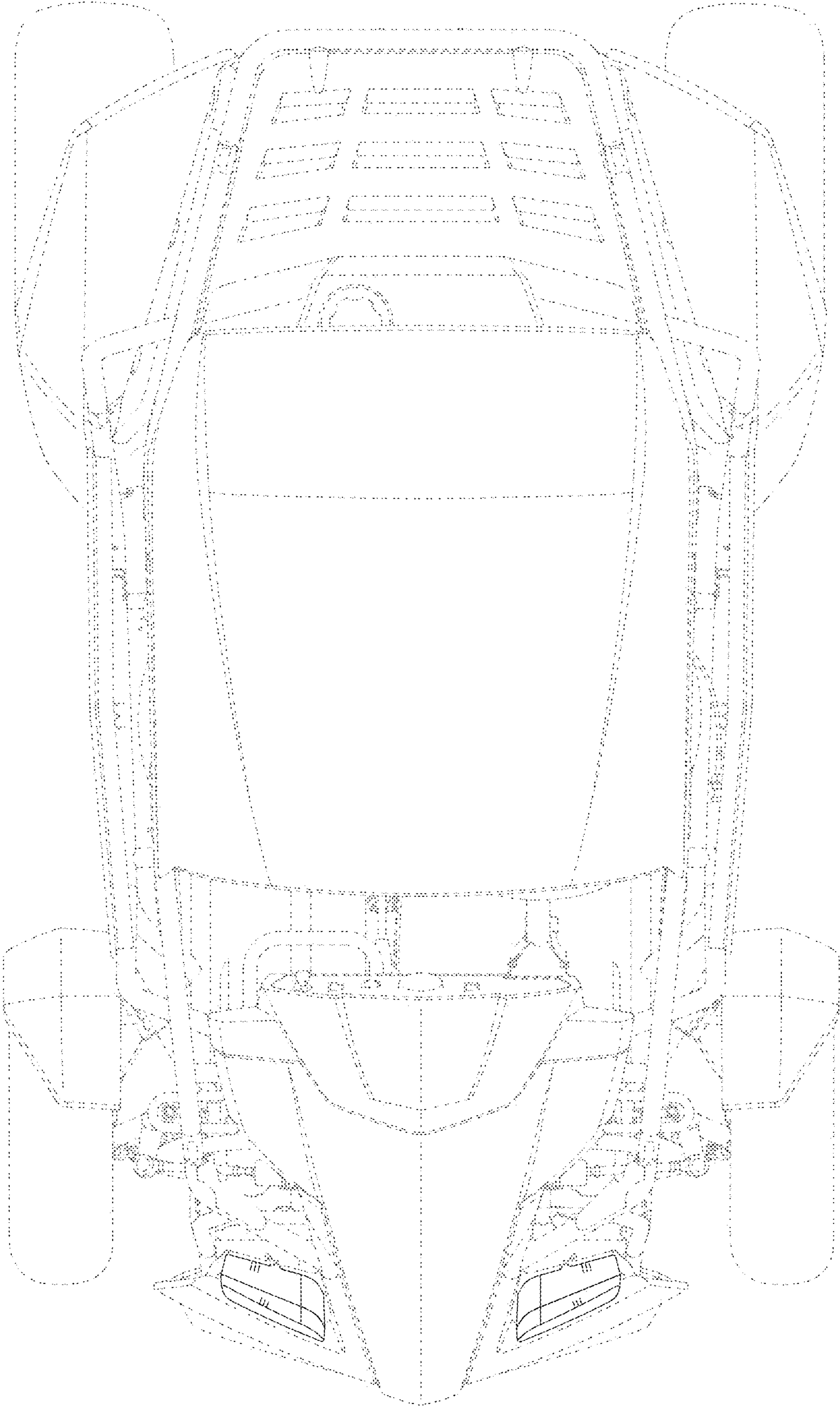


Fig. 5

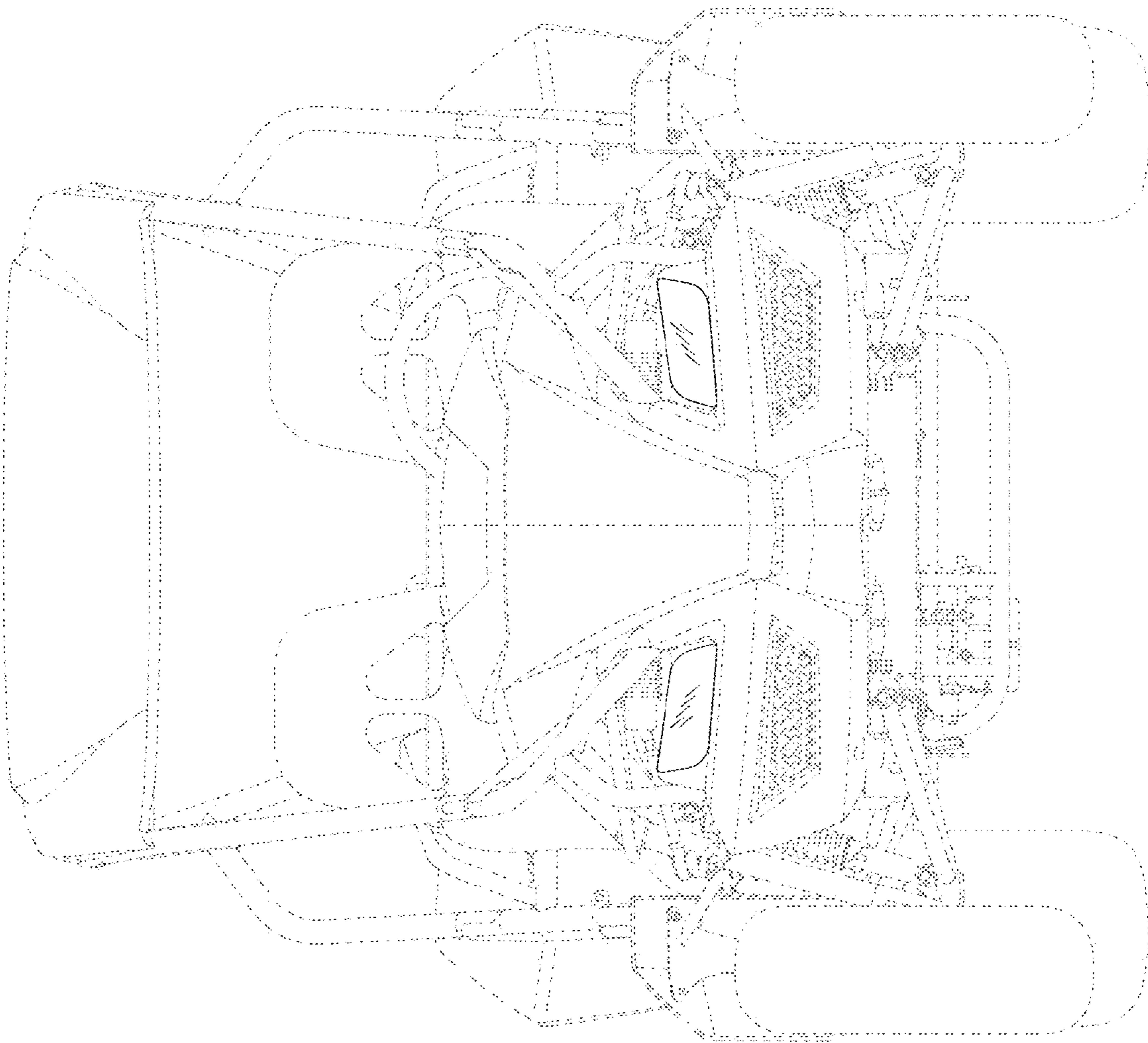


Fig. 6



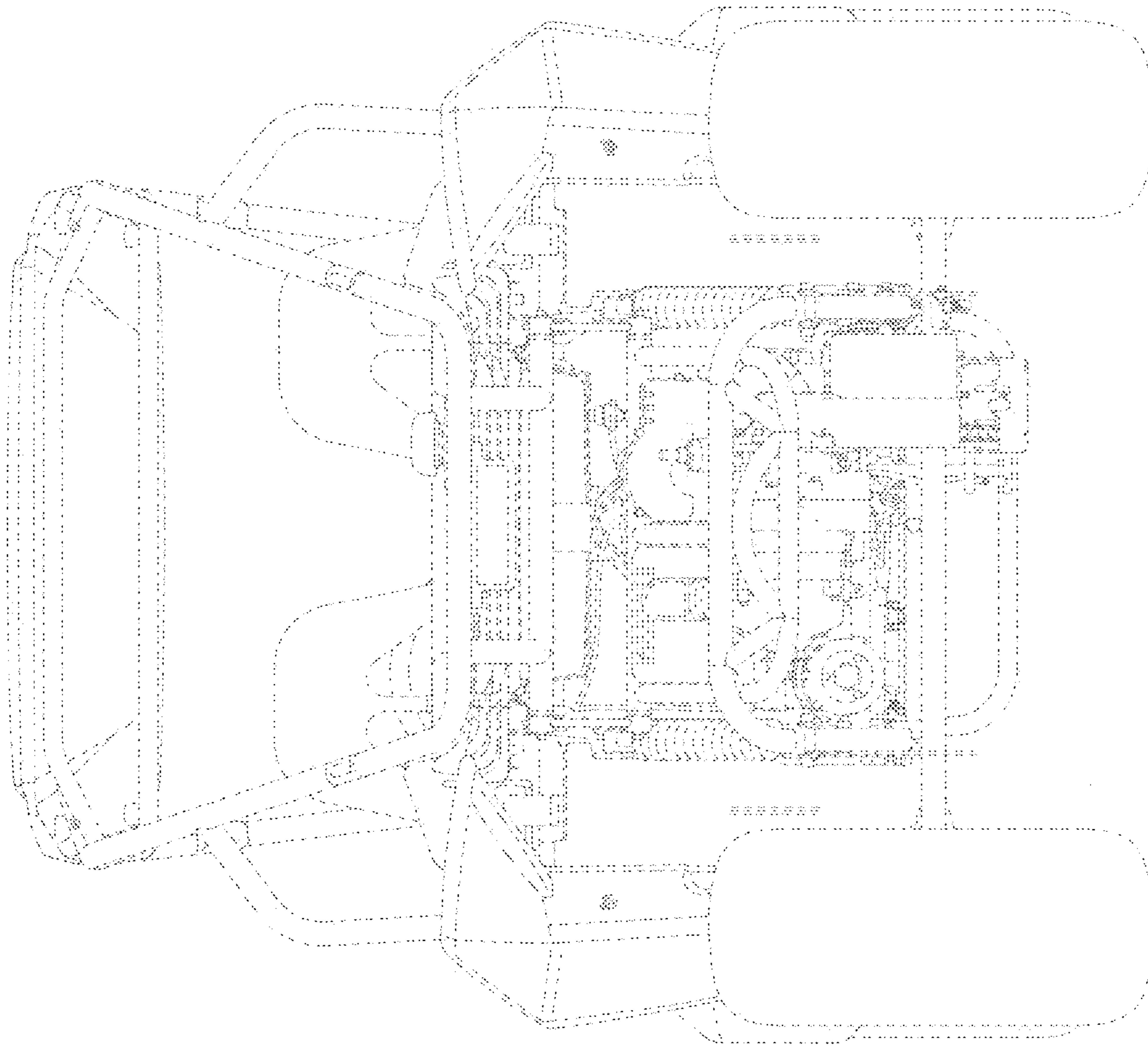


Fig. 7