

US00D940362S

(12) **United States Design Patent**
Miyazawa

(10) **Patent No.:** **US D940,362 S**

(45) **Date of Patent:** **** Jan. 4, 2022**

(54) **FRONT COMBINATION LAMP FOR AN
AUTOMOBILE**

D737,483 S * 8/2015 Roberts D26/28
D772,453 S * 11/2016 Wheel D26/28
D807,548 S * 1/2018 Lin D26/28
D835,309 S * 12/2018 Thomas D26/28

(71) Applicant: **Honda Motor Co., Ltd.**, Tokyo (JP)

* cited by examiner

(72) Inventor: **Takuya Miyazawa**, Wako (JP)

Primary Examiner — Marcus A Jackson

(73) Assignee: **HONDA MOTOR CO., LTD.**, Tokyo (JP)

(74) *Attorney, Agent, or Firm* — Plumsea Law Group, LLC

(**) Term: **15 Years**

(21) Appl. No.: **29/734,688**

(22) Filed: **May 14, 2020**

(57) **CLAIM**

(30) **Foreign Application Priority Data**

The ornamental design for a front combination lamp for an automobile, as shown and described.

Nov. 28, 2019 (JP) 2019-026384

(51) **LOC (13) Cl.** **26-06**

(52) **U.S. Cl.**
USPC **D26/28**

DESCRIPTION

(58) **Field of Classification Search**
USPC D26/28–36, 139
CPC F21S 48/00; F21S 48/10; F21S 48/115;
F21S 48/225; F21S 48/1233; F21S
48/1266; F21S 48/1388; F21S 48/2268;
F21V 21/04; F21V 29/004; B60Q 9/13;
B60Q 9/135; B60Q 9/1375
See application file for complete search history.

FIG. 1 is a front right perspective view of a front combination lamp for an automobile.
FIG. 2 is a rear left perspective view thereof.
FIG. 3 is a front view thereof.
FIG. 4 is a rear view thereof.
FIG. 5 is a left side view thereof.
FIG. 6 is a right side view thereof.
FIG. 7 is a top view thereof; and,
FIG. 8 is a bottom view thereof.

(56) **References Cited**

U.S. PATENT DOCUMENTS

D538,956 S * 3/2007 Ishii D26/28
D544,614 S * 6/2007 Markefka D26/28
D561,358 S * 2/2008 Tachibana D26/28
D690,852 S * 10/2013 Cooney D26/28

1 Claim, 8 Drawing Sheets

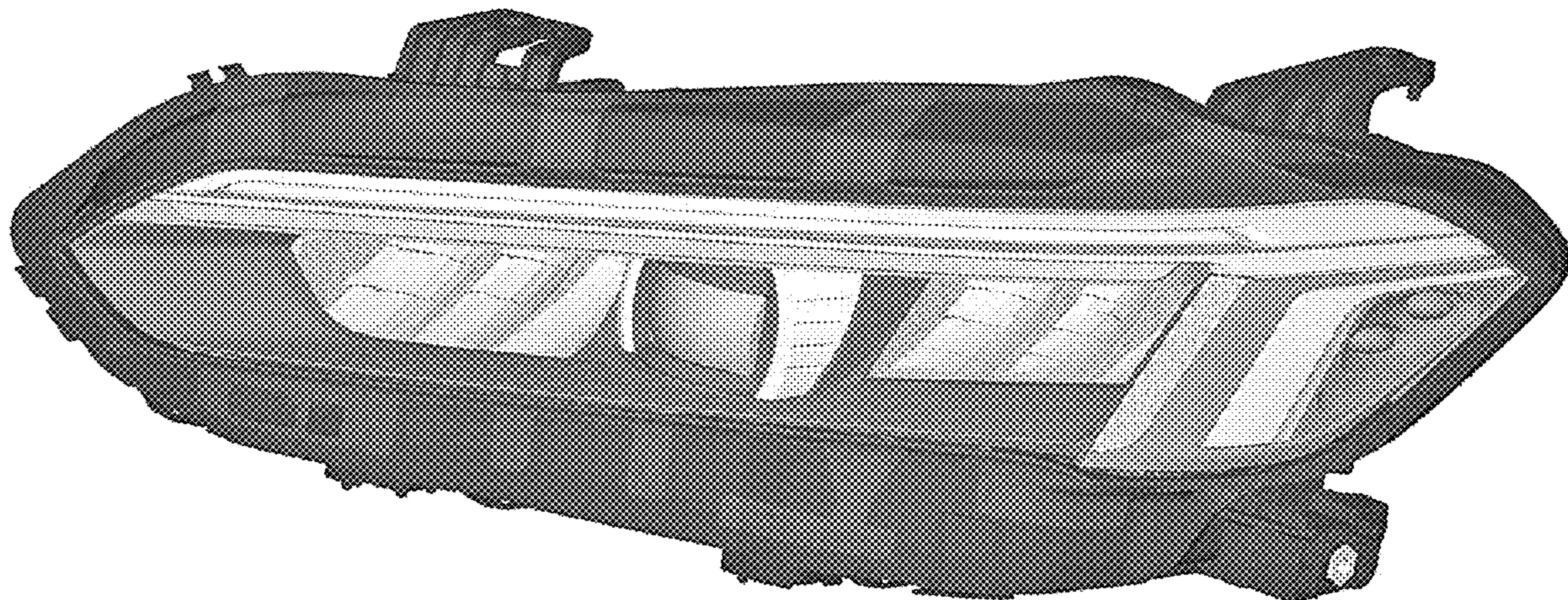


FIG. 1

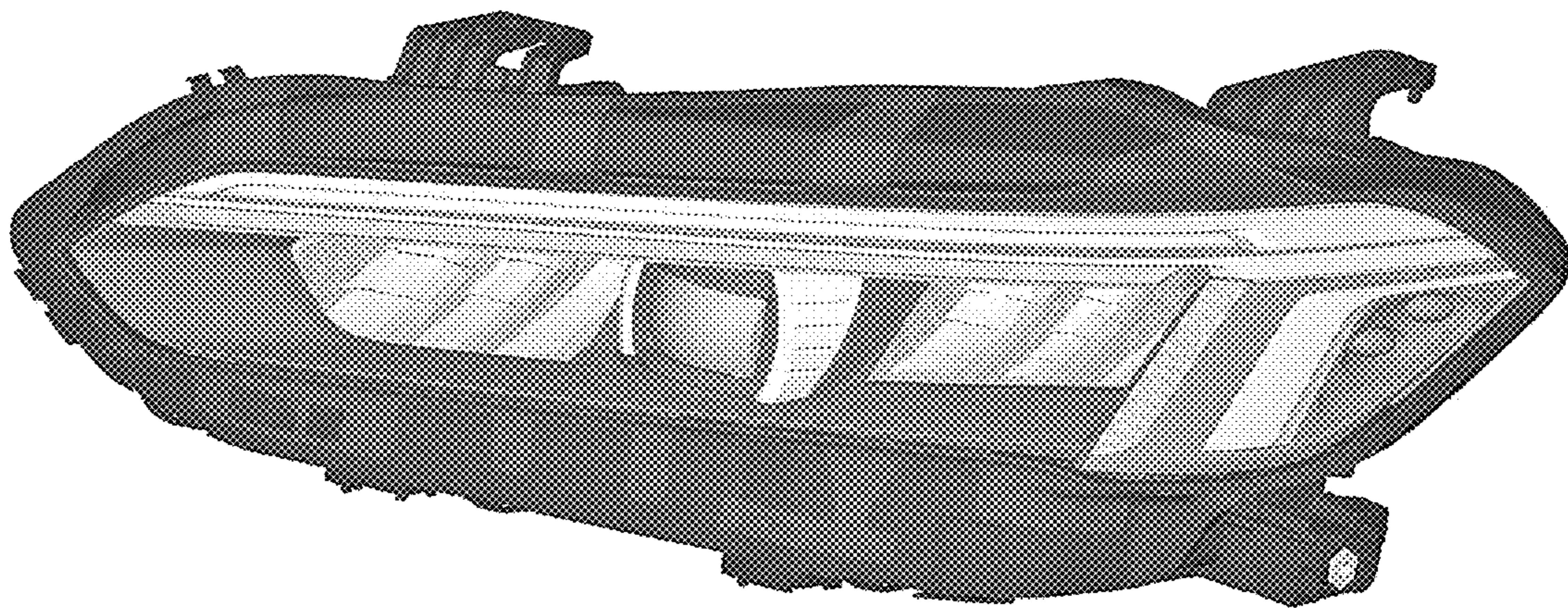


FIG. 2

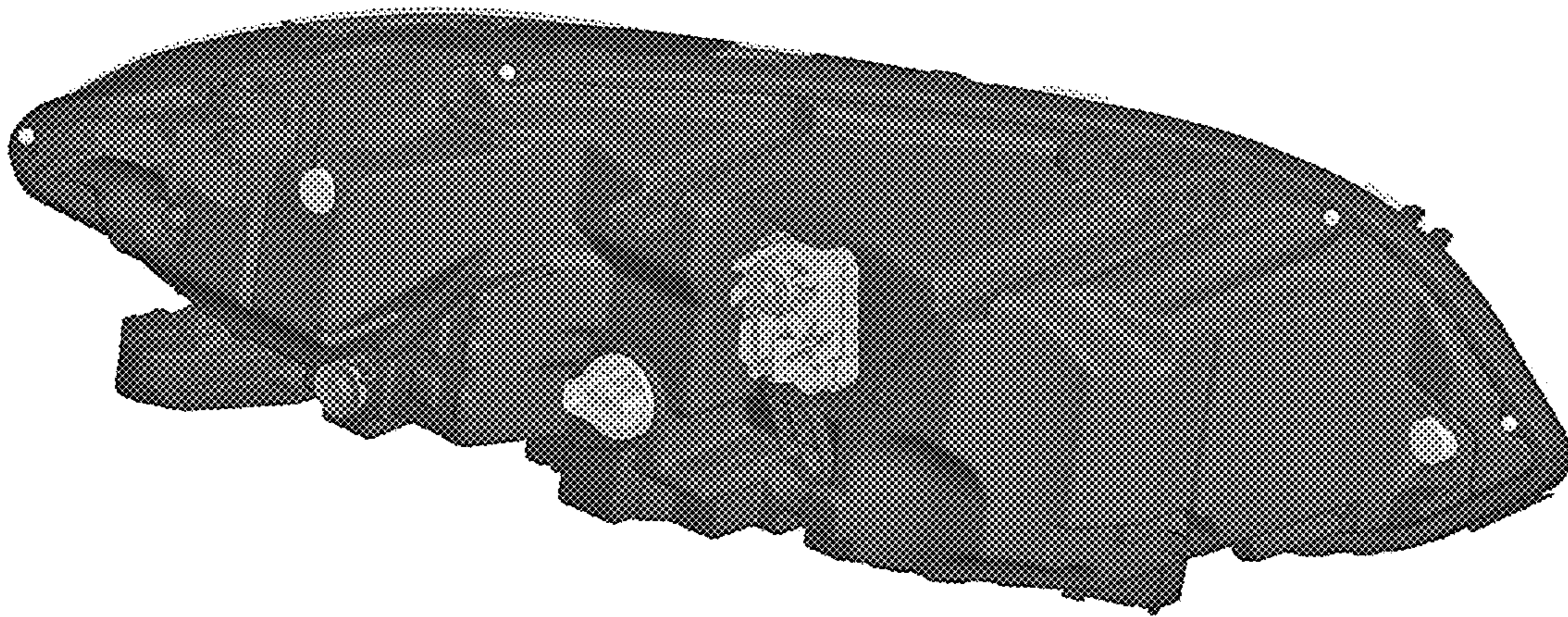


FIG. 3

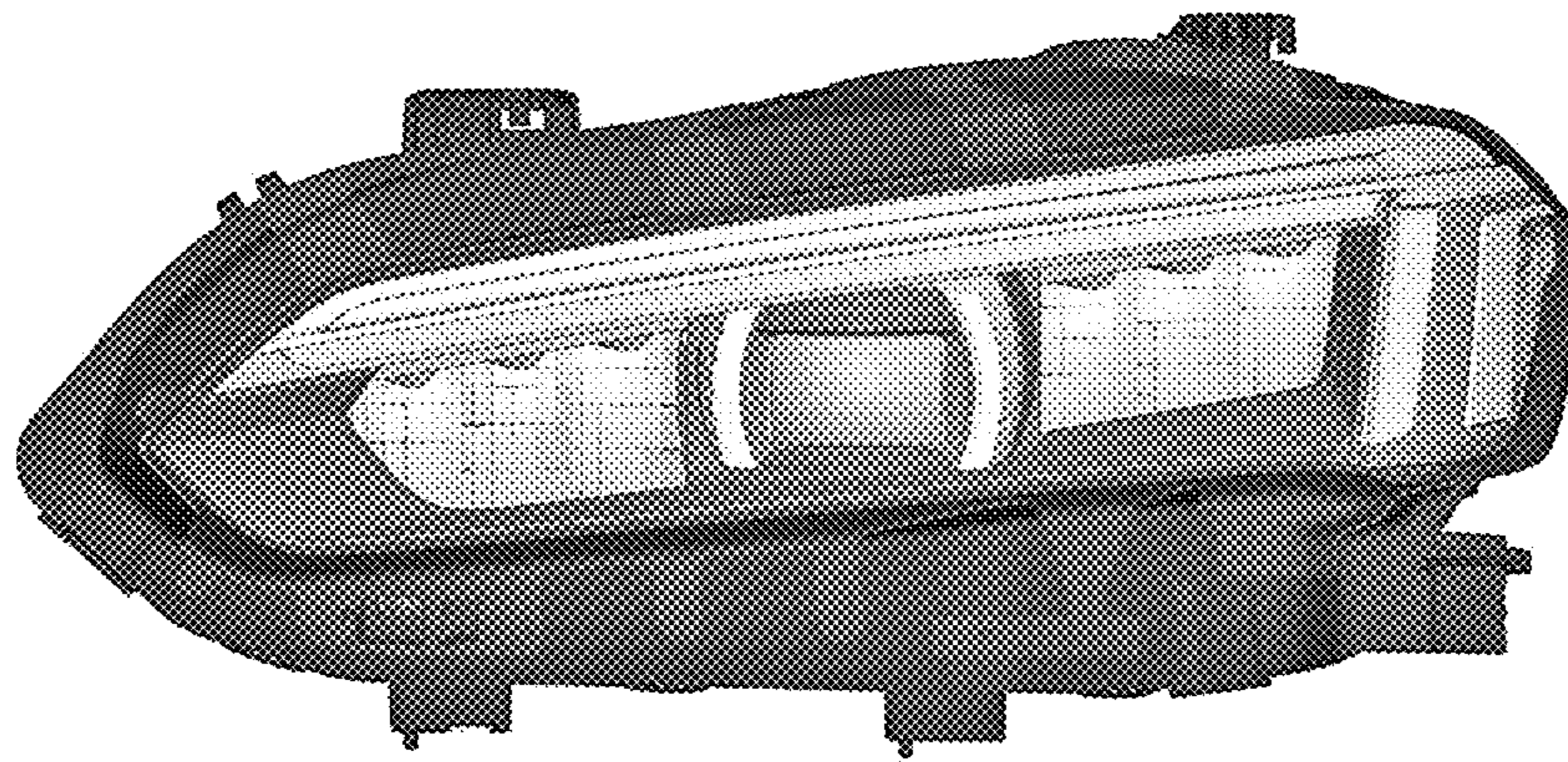


FIG. 4

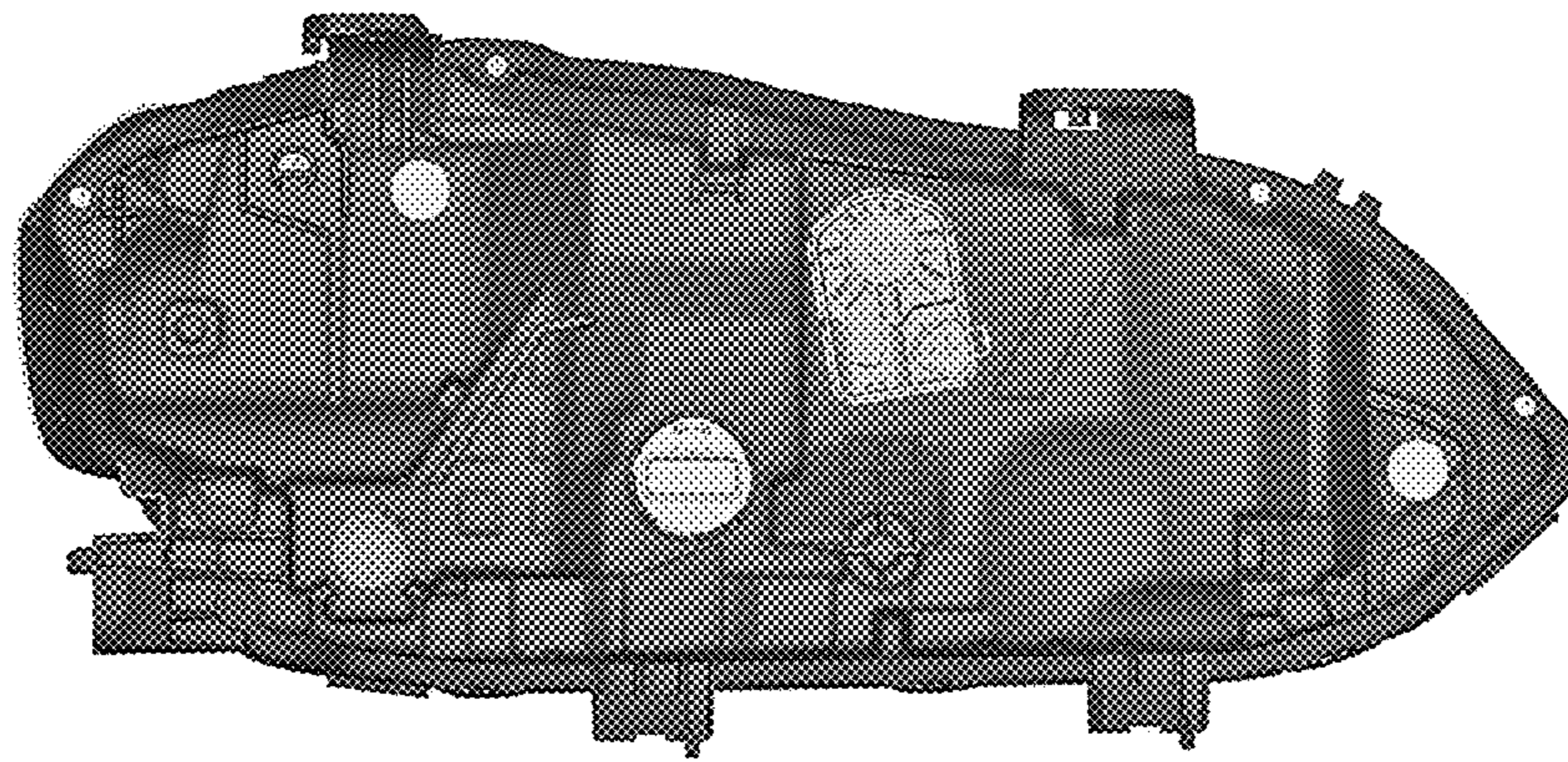


FIG. 5

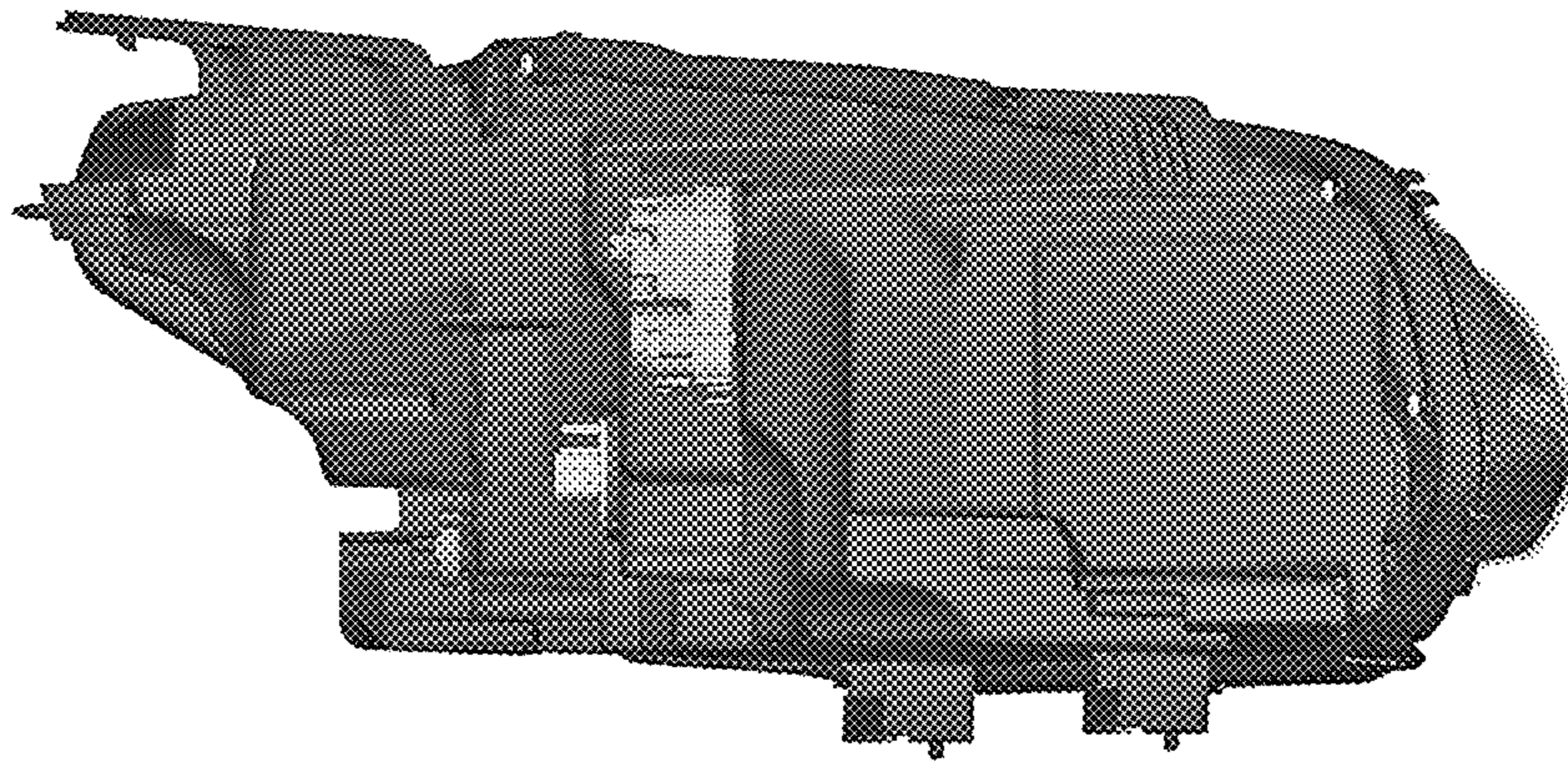


FIG. 6

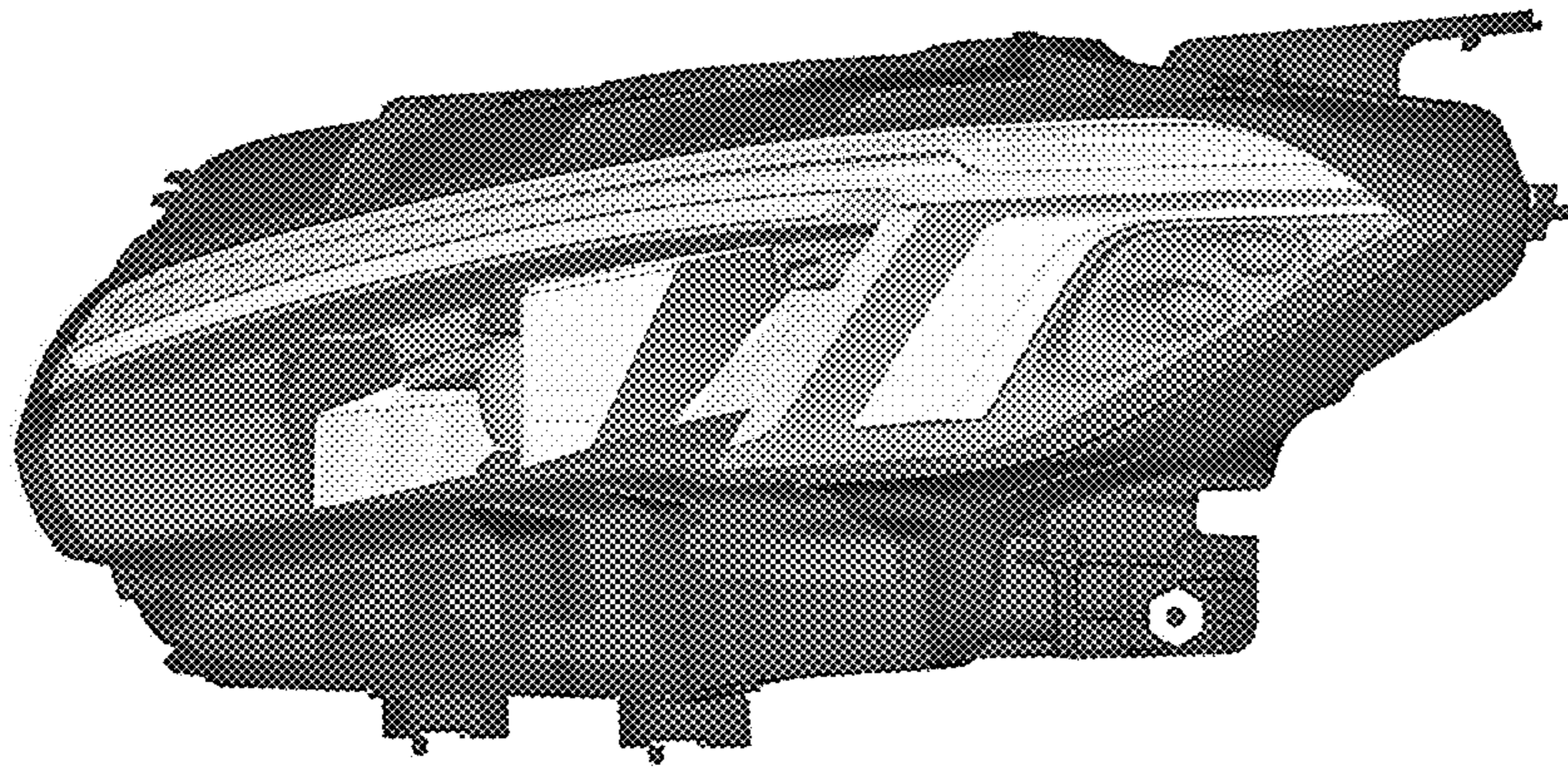


FIG. 7

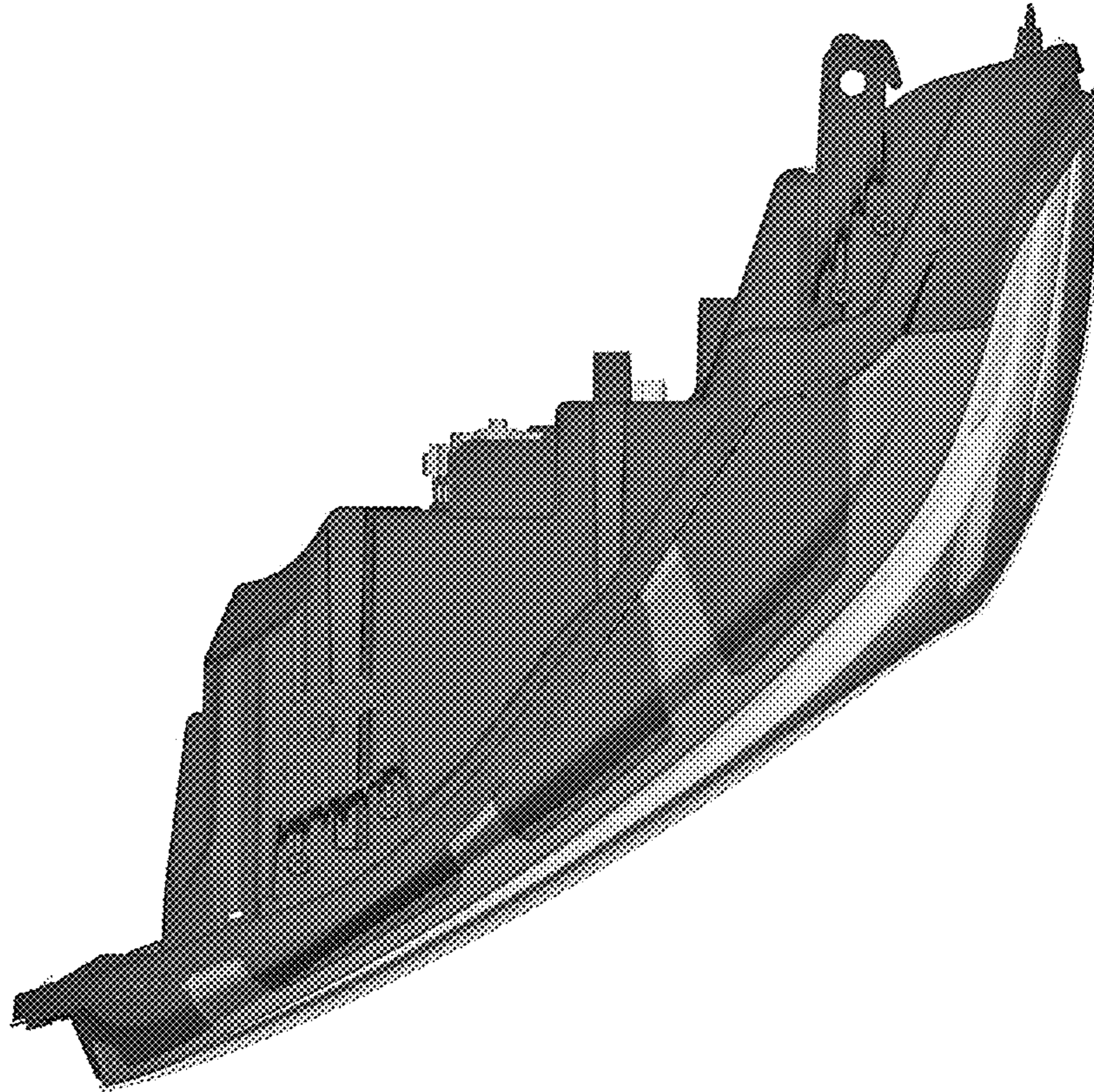


FIG. 8

