

US00D940361S

(12) **United States Design Patent**
Ito et al.

(10) **Patent No.:** **US D940,361 S**
(45) **Date of Patent:** **** Jan. 4, 2022**

(54) **FRONT COMBINATION LAMP FOR AN AUTOMOBILE**

(71) Applicants: **TOYOTA JIDOSHA KABUSHIKI KAISHA**, Toyota (JP); **SUBARU CORPORATION**, Shibuya-ku (JP)

(72) Inventors: **Kazuhiko Ito**, Toyota (JP); **Koichi Matsumoto**, Toyota (JP); **Atsushi Kochi**, Ota (JP); **Kazuki Aiba**, Ota (JP); **Kohei Kobayashi**, Kumagaya (JP)

(73) Assignees: **TOYOTA JIDOSHA KABUSHIKI KAISHA**; **SUBARU CORPORATION**

(**) Term: **15 Years**

(21) Appl. No.: **29/732,355**

(22) Filed: **Apr. 23, 2020**

(30) **Foreign Application Priority Data**

Oct. 25, 2019 (JP) 2019-023767
Oct. 25, 2019 (JP) 2019-023769

(51) **LOC (13) Cl.** **26-06**

(52) **U.S. Cl.**
USPC **D26/28**

(58) **Field of Classification Search**
USPC D26/28-36, 139
CPC F21S 48/00; F21S 48/10; F21S 48/115;
F21S 48/225; F21S 48/1233; F21S 48/1266; F21S 48/1388; F21S 48/2268;
F21V 21/04; F21V 29/004; B60Q 9/13;
B60Q 9/135; B60Q 9/1375

See application file for complete search history.

(56) **References Cited**

U.S. PATENT DOCUMENTS

D566,307 S * 4/2008 Hsu D26/28
D567,970 S * 4/2008 Hsu D26/28

D582,072 S * 12/2008 Yang D26/28
D737,484 S * 8/2015 Lai D26/28
D744,677 S * 12/2015 Lai D26/28
D831,245 S * 10/2018 Lin D26/28
D831,246 S * 10/2018 Yang D26/28

(Continued)

OTHER PUBLICATIONS

netcarshow.com, Aston Martin DB11 (2017), <https://www.netcarshow.com/aston_martin/2017-db11/>, available as early as Sep. 4, 2019.

(Continued)

Primary Examiner — Marcus A Jackson

(74) *Attorney, Agent, or Firm* — Saidman DesignLaw Group, LLC

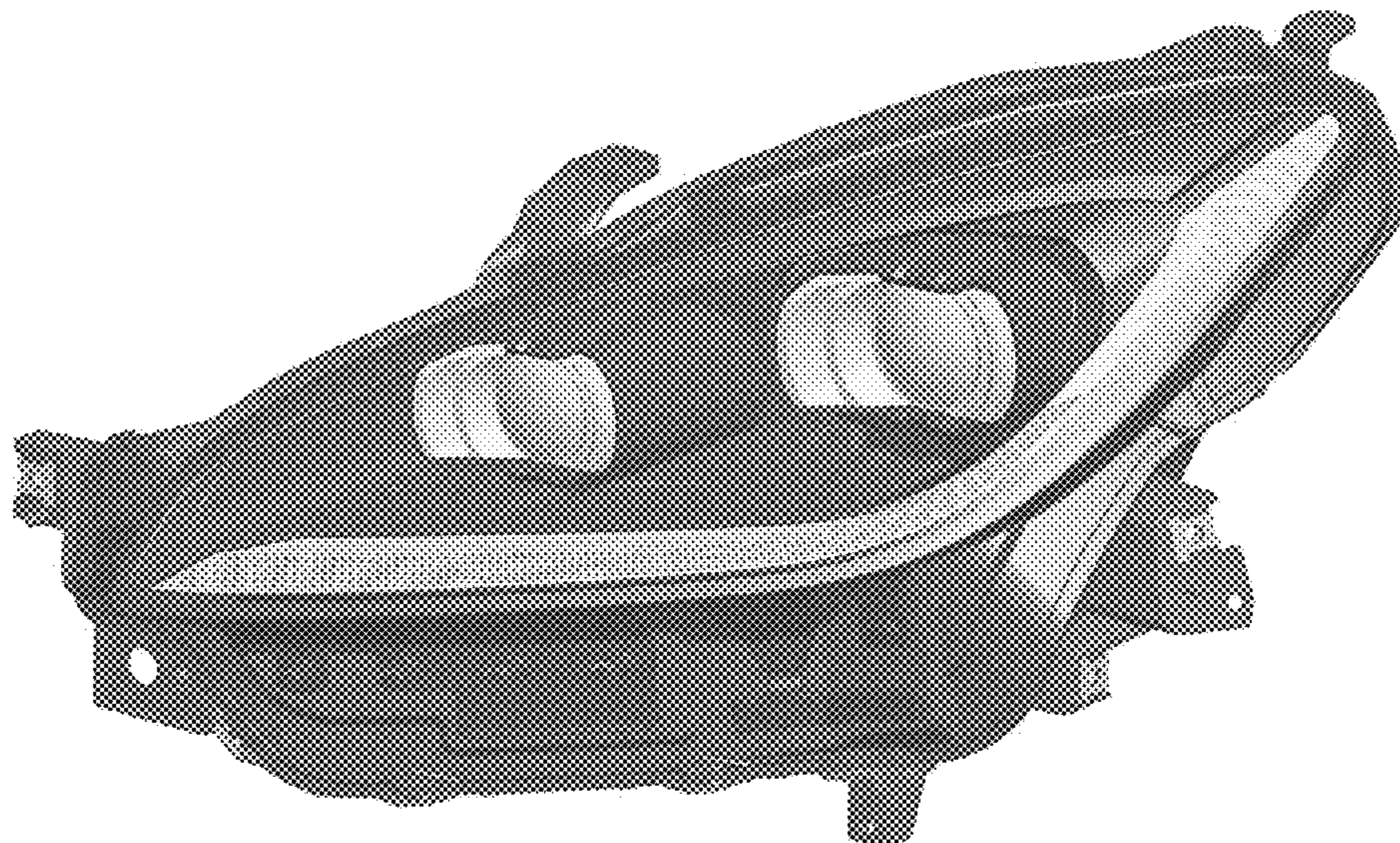
(57) **CLAIM**

The ornamental design for a front combination lamp for an automobile, as shown and described.

DESCRIPTION

FIG. 1 is a perspective view of a front combination lamp for an automobile showing our new design;
FIG. 2 is a front view thereof;
FIG. 3 is a rear view thereof;
FIG. 4 is a right side view thereof;
FIG. 5 is a left side view thereof;
FIG. 6 is a top view thereof;
FIG. 7 is a bottom view thereof;
FIG. 8 is a front perspective view of another embodiment thereof;
FIG. 9 is a rear perspective view thereof;
FIG. 10 is a front view thereof;
FIG. 11 is a rear view thereof;
FIG. 12 is a right side view thereof;
FIG. 13 is a left side view thereof;
FIG. 14 is a top view thereof; and,
FIG. 15 is a bottom view thereof.

1 Claim, 15 Drawing Sheets



(56)

References Cited

U.S. PATENT DOCUMENTS

D841,207 S * 2/2019 Yang D26/28
D853,000 S * 7/2019 Lin D26/28

OTHER PUBLICATIONS

netcarshow.com, Lotus Exige S (2012), <https://www.netcarshow.com/lotus/2012-exige_s/>, available as early as Sep. 4, 2019.

* cited by examiner



FIG. 1

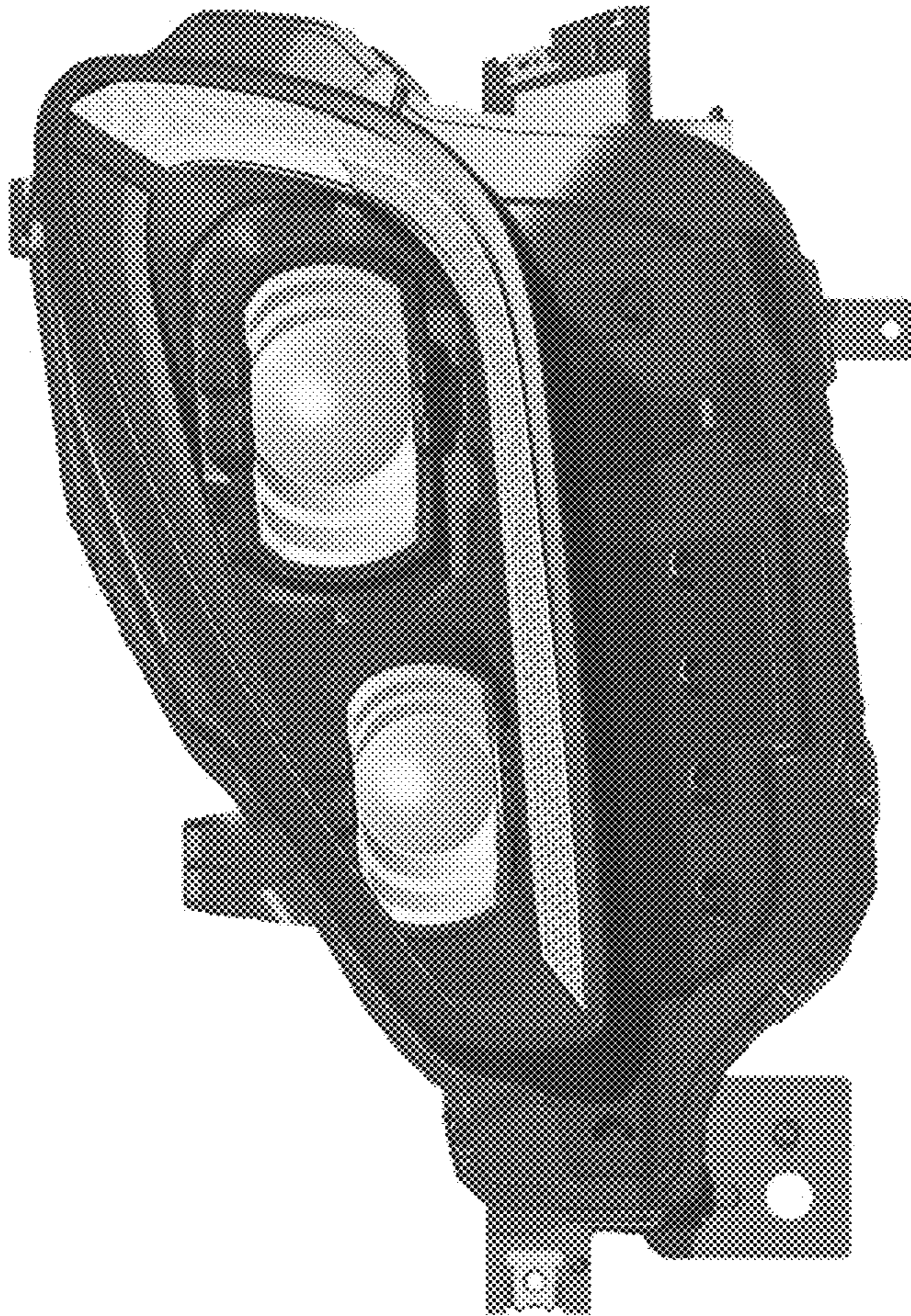


FIG. 2

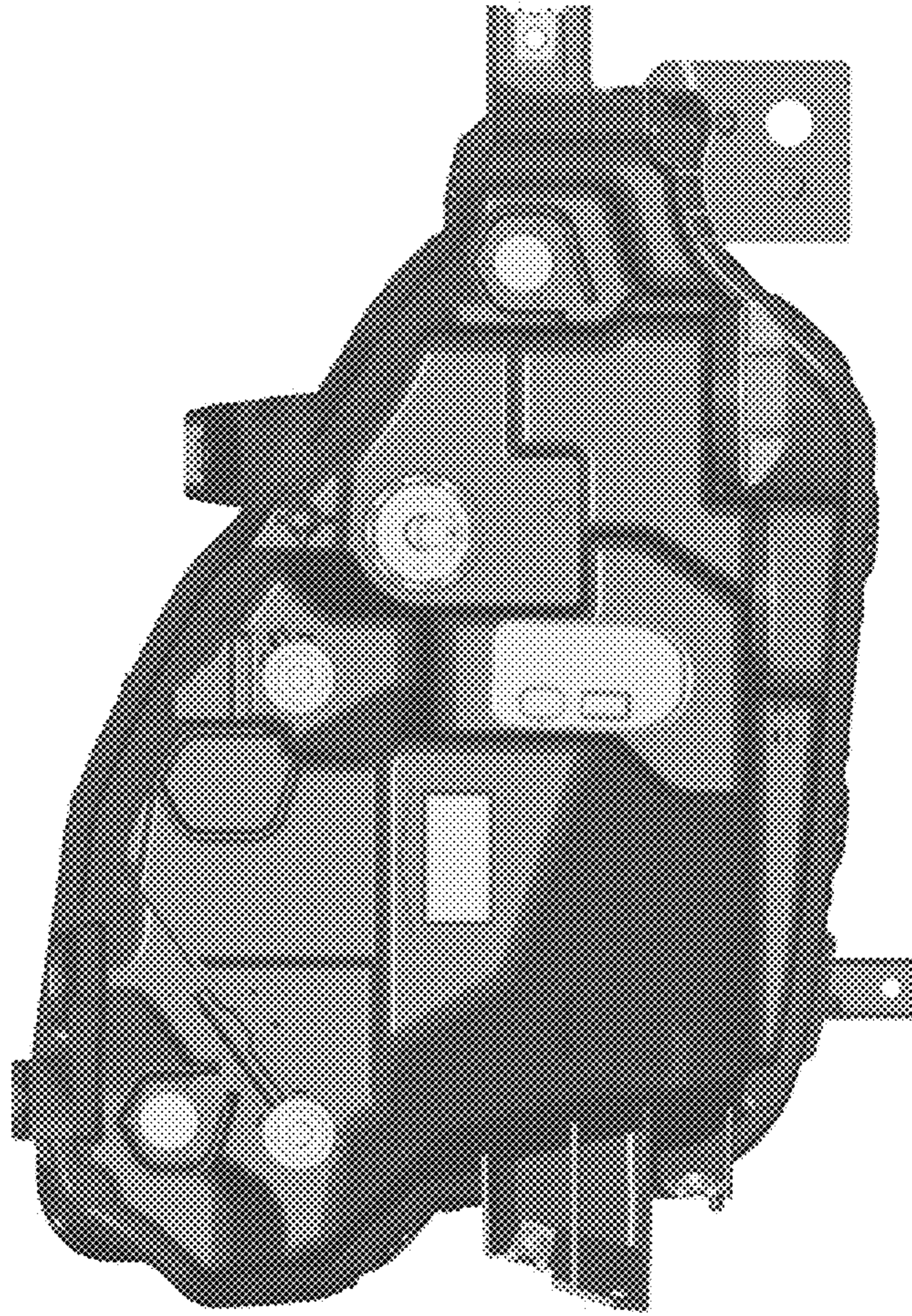


FIG. 3

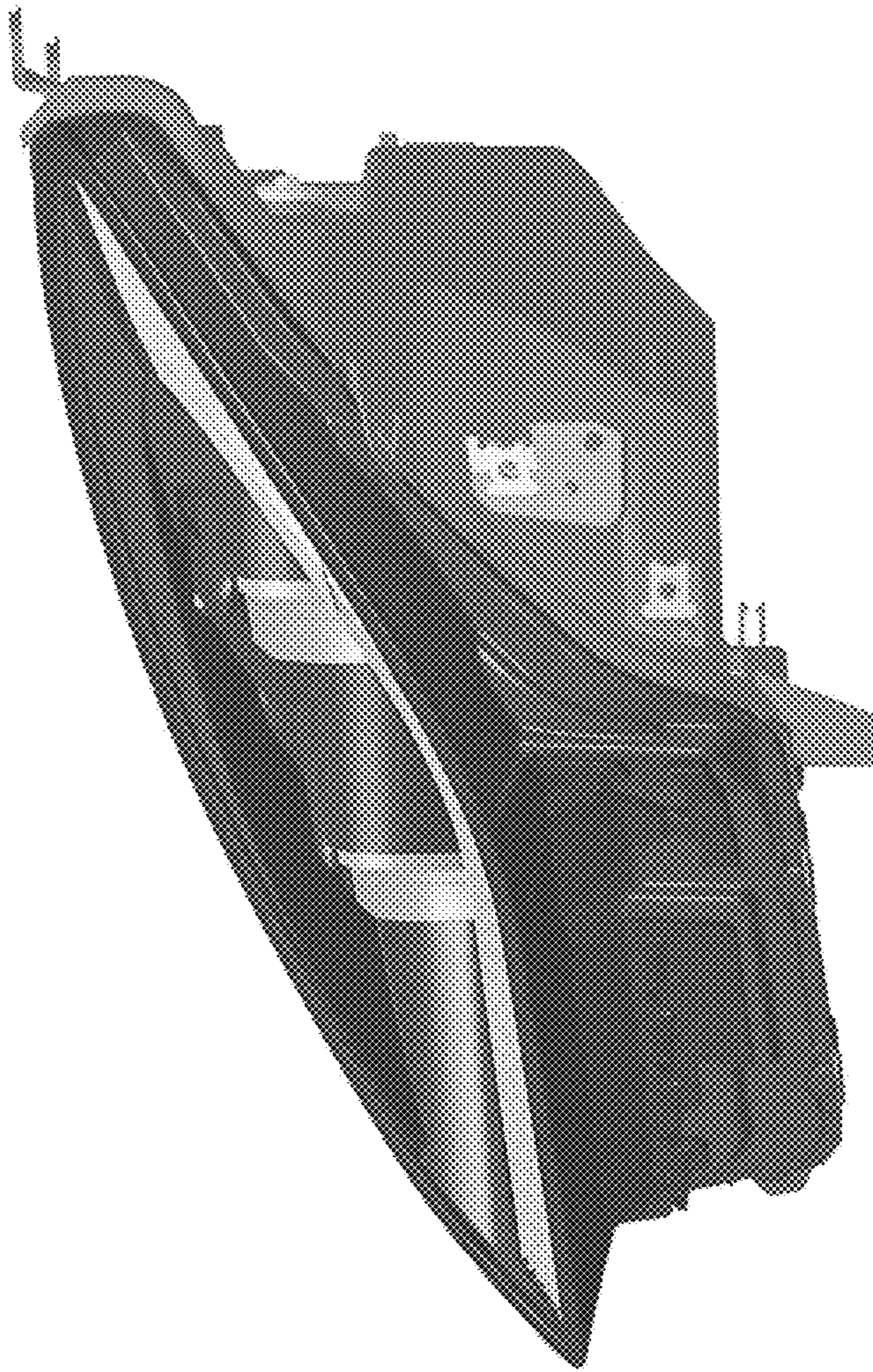


FIG. 4

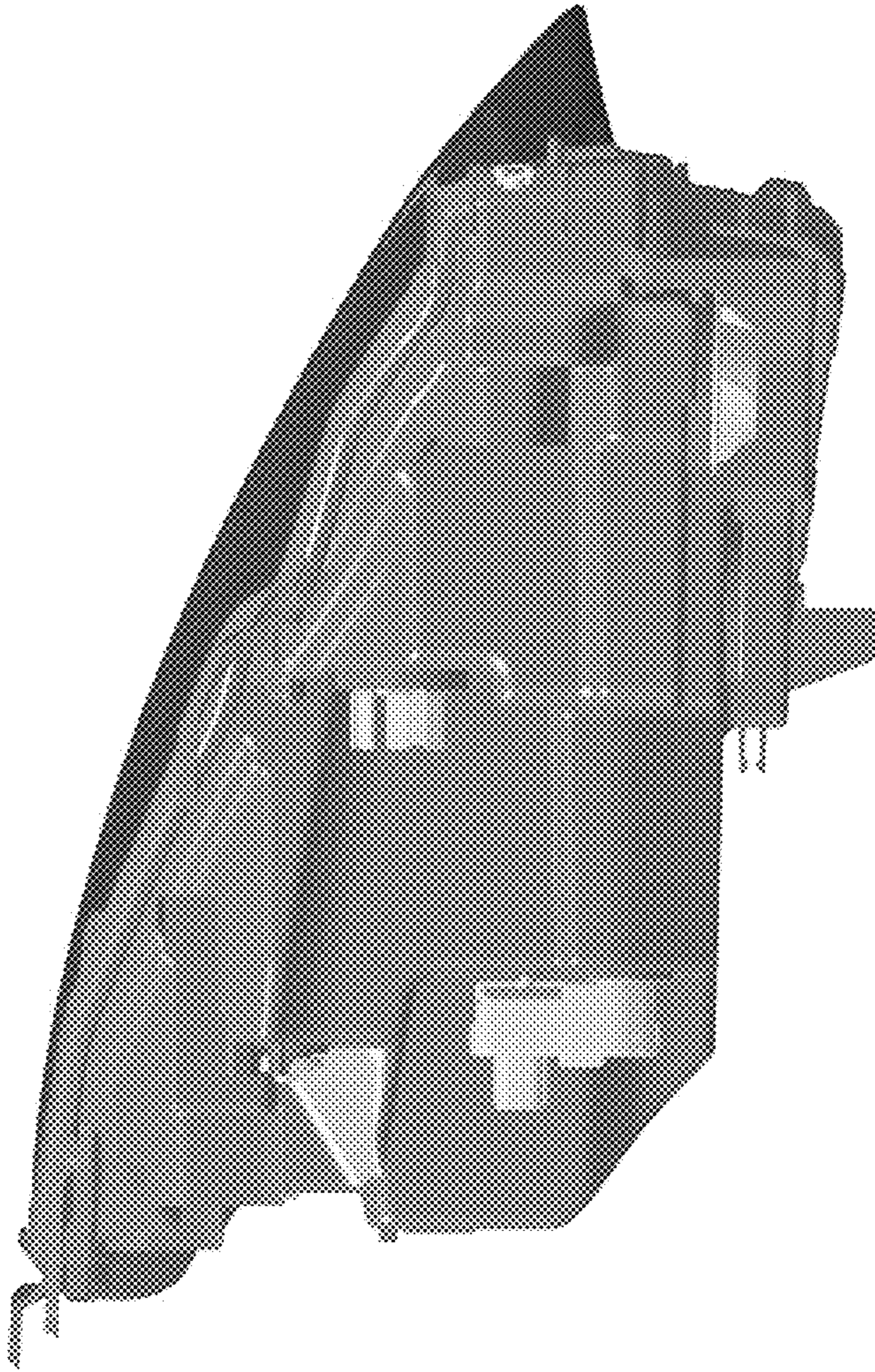


FIG. 5

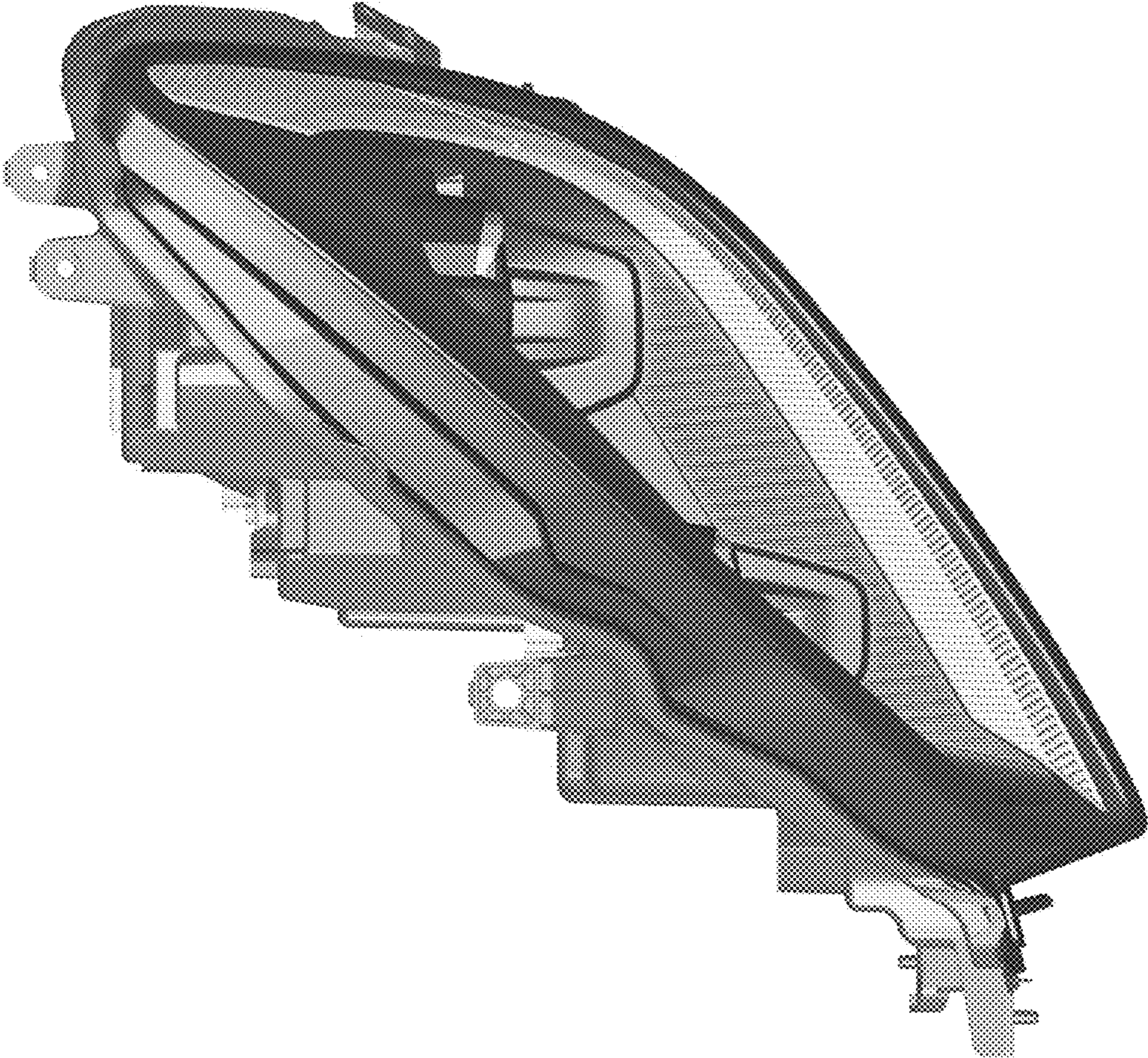


FIG. 6

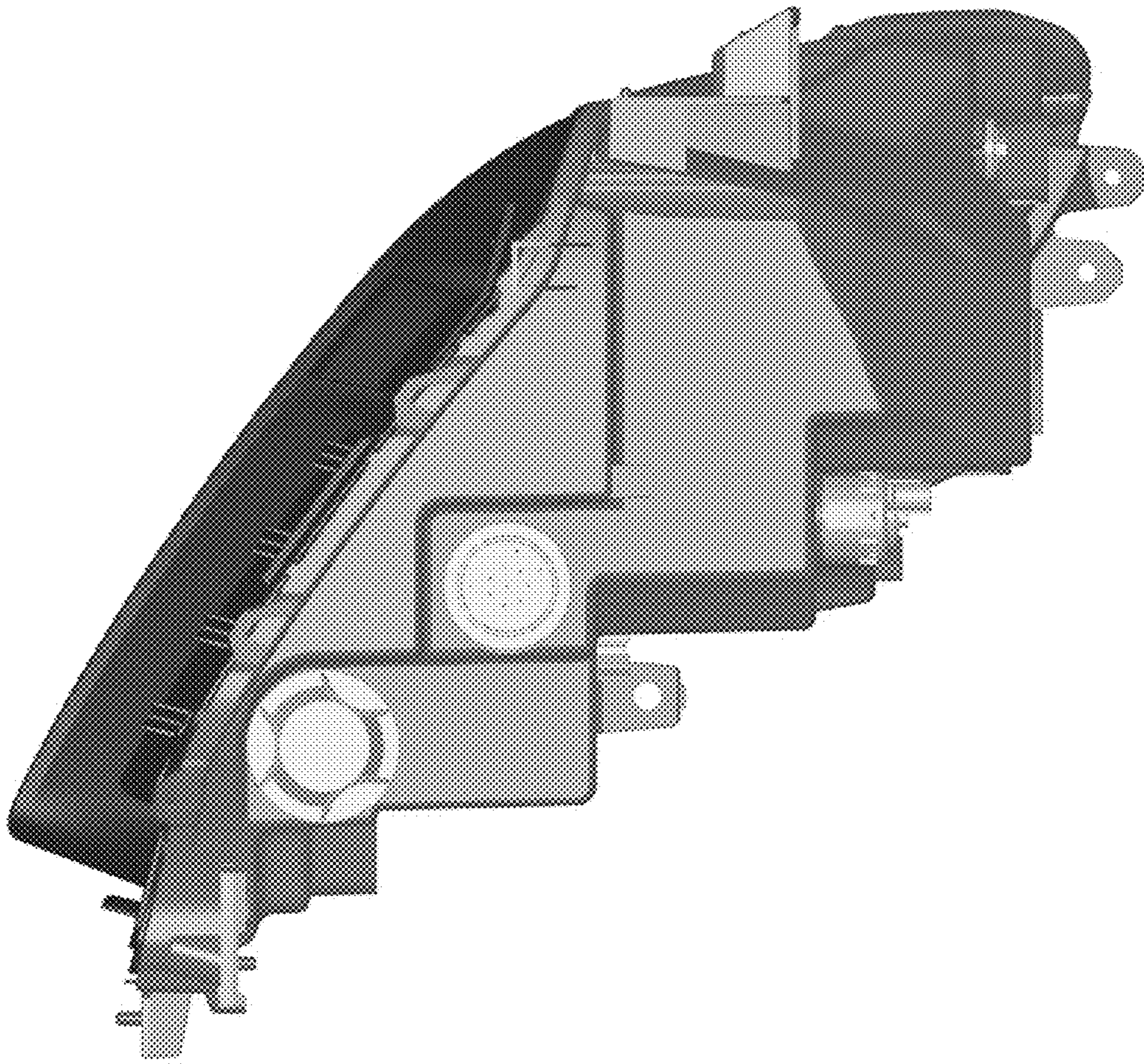


FIG. 7

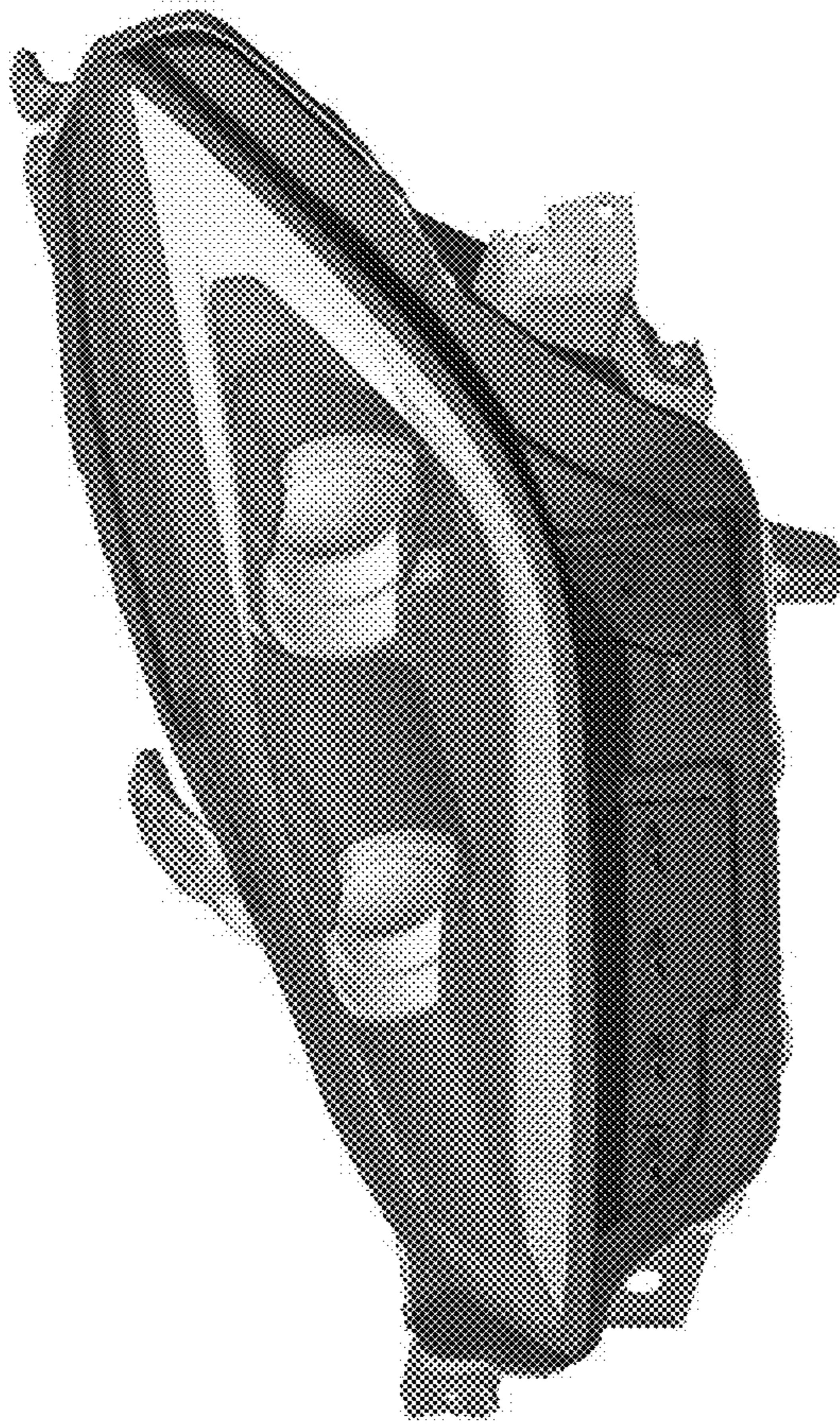


FIG. 8

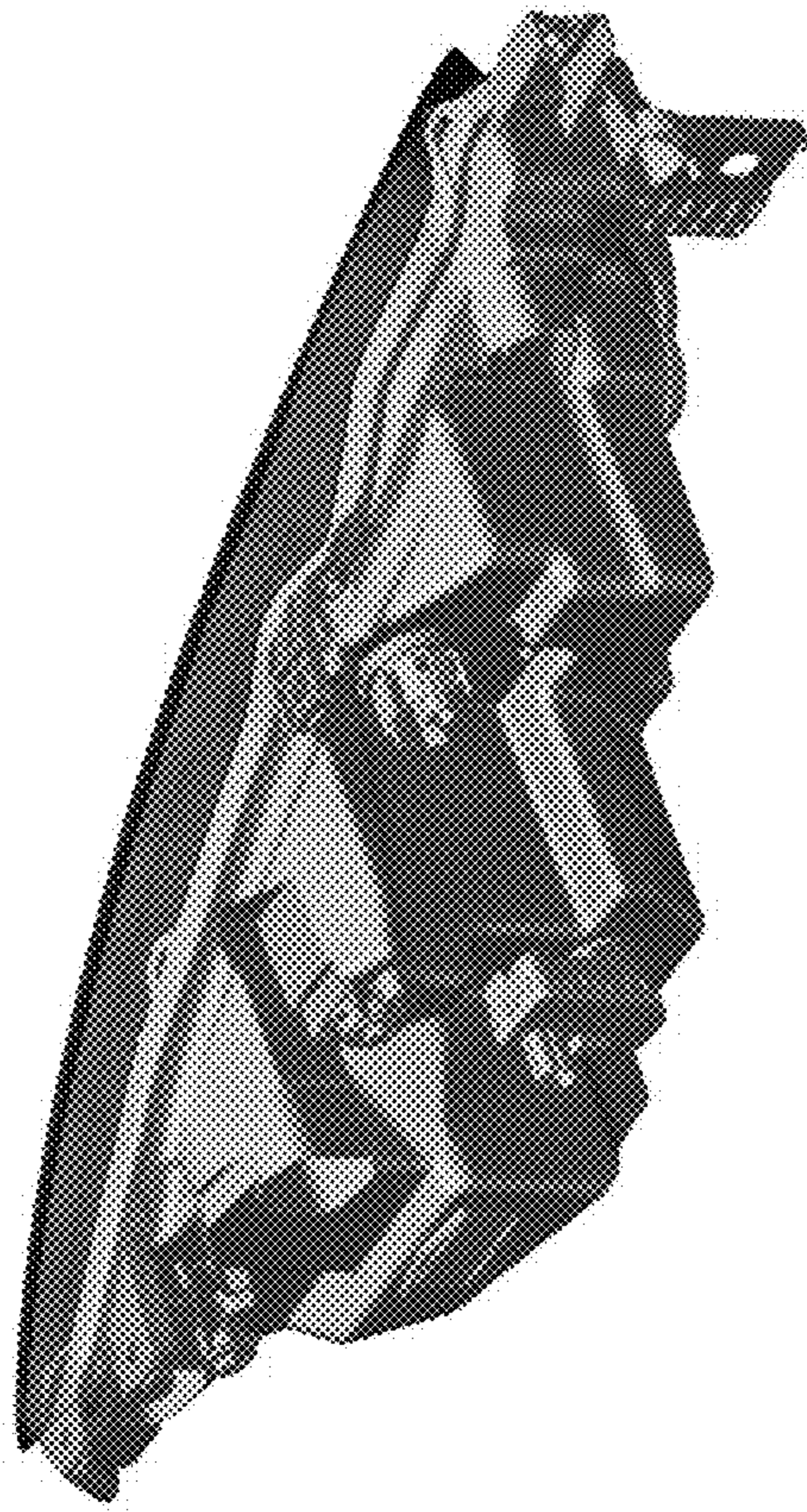


FIG. 9



FIG. 10

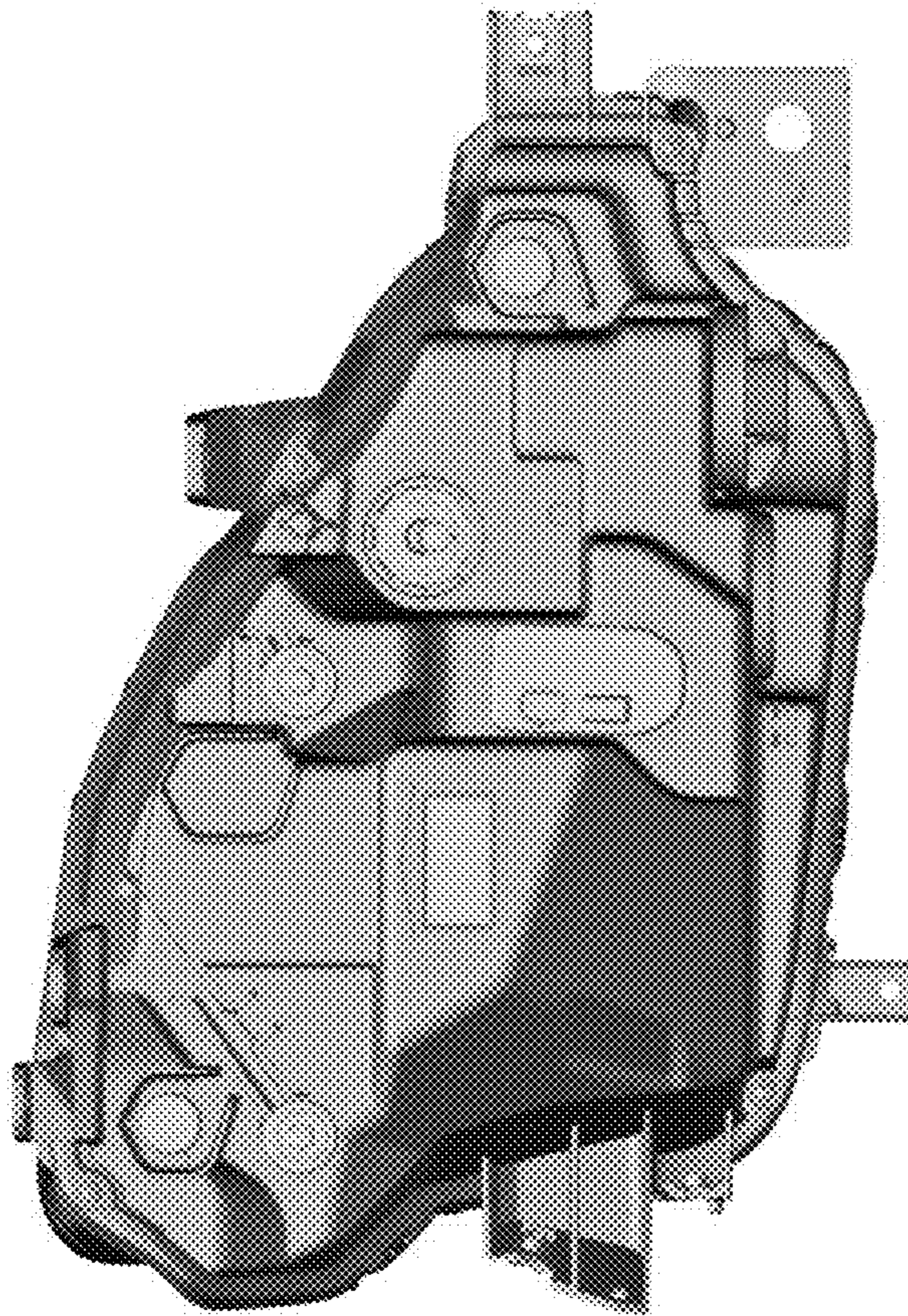


FIG. 11

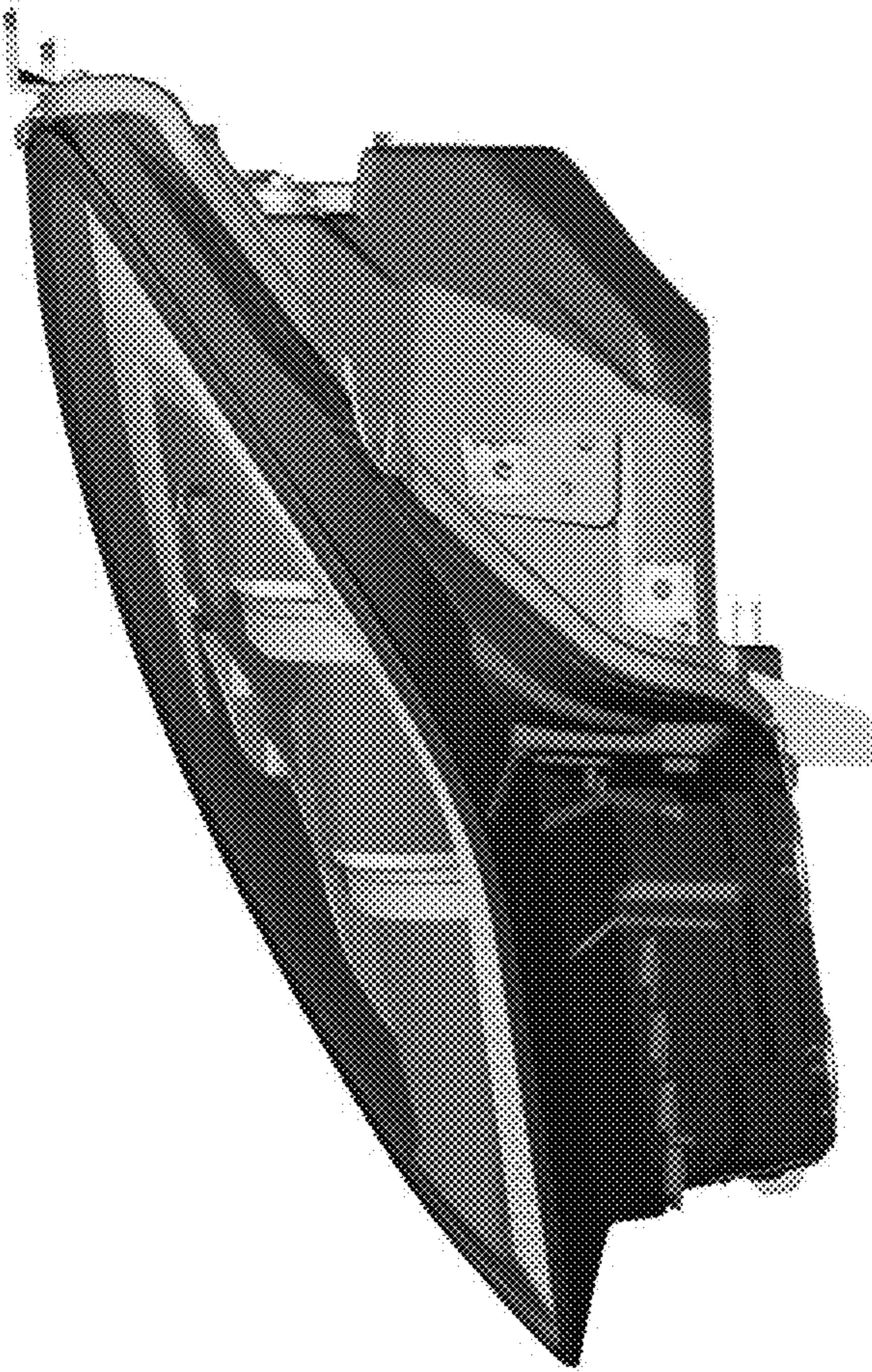


FIG. 12

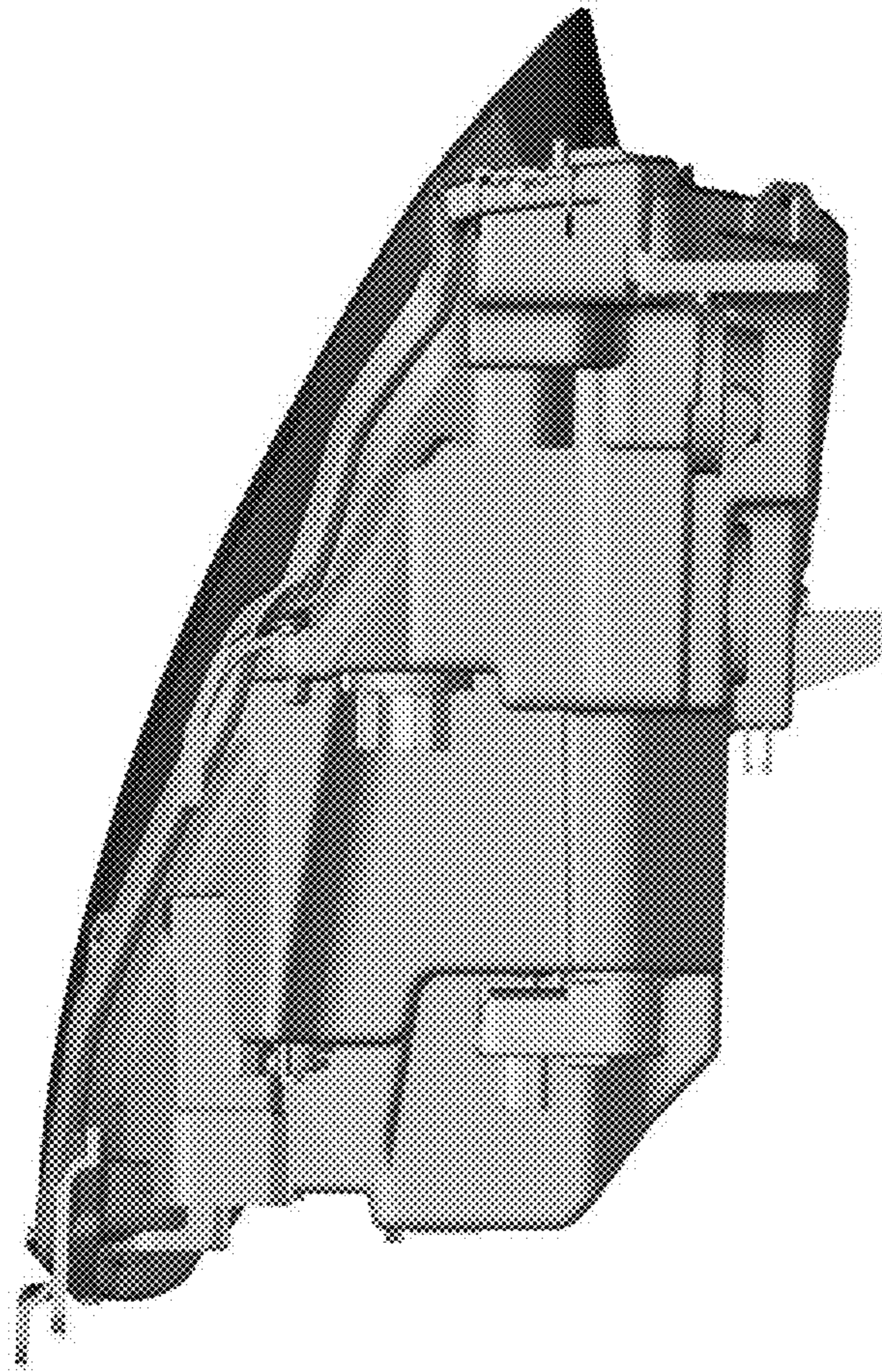


FIG. 13

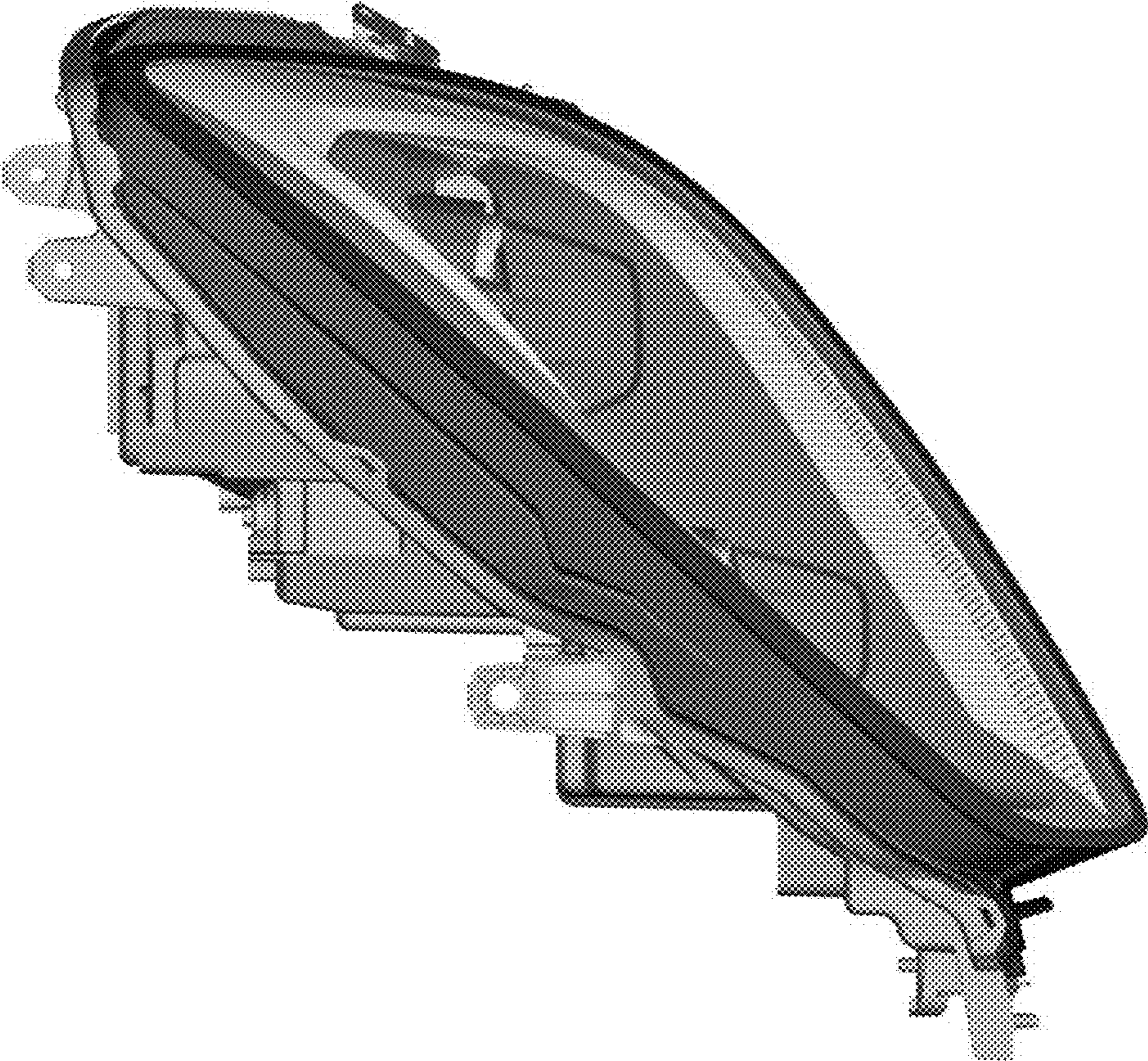


FIG. 14

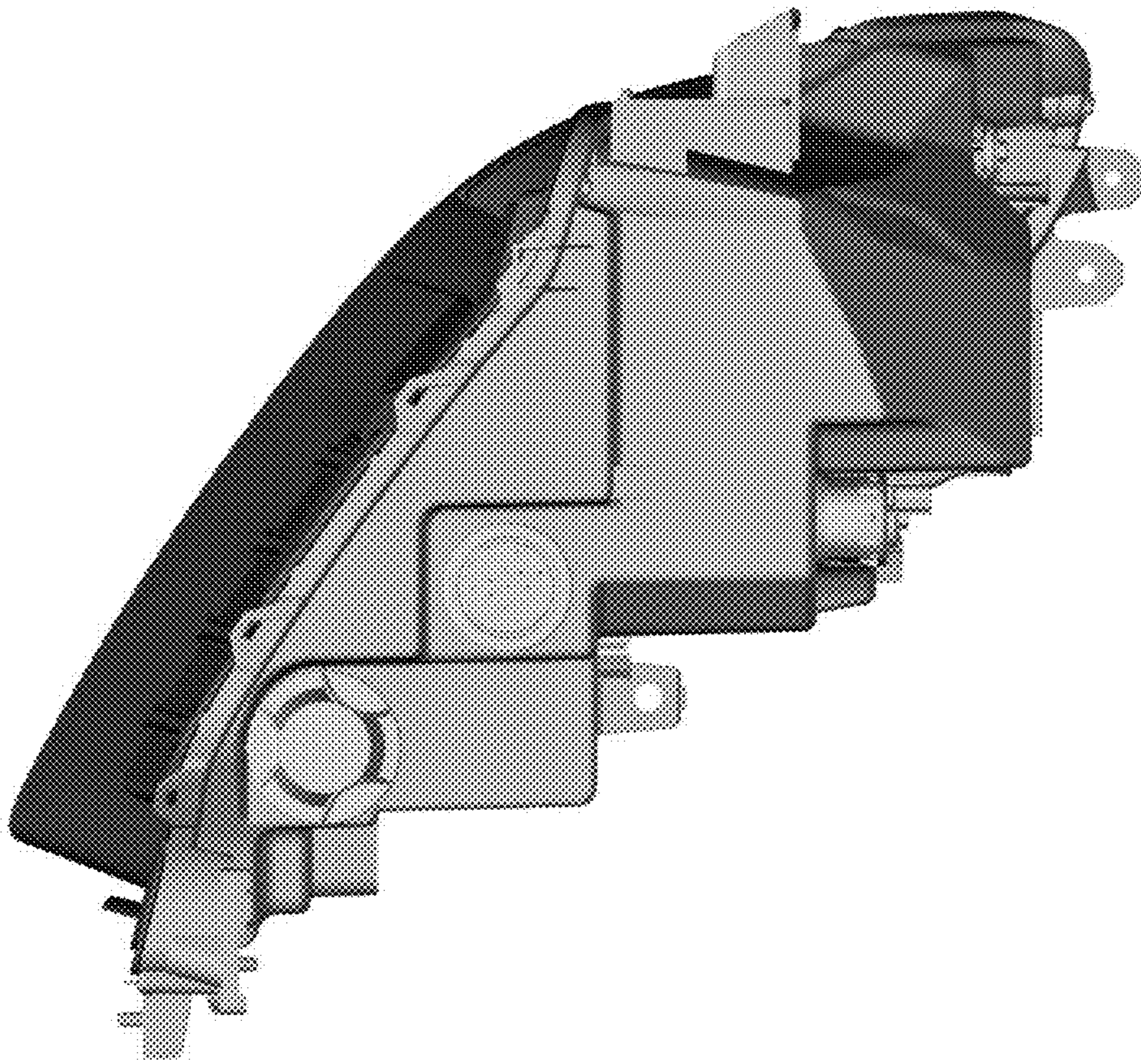


FIG. 15