



US00D940360S

(12) **United States Design Patent** (10) **Patent No.:** **US D940,360 S**
Ito (45) **Date of Patent:** **** Jan. 4, 2022**

(54) **FRONT COMBINATION LAMP FOR AN AUTOMOBILE**

D864,438 S * 10/2019 Janssen D26/28
D870,328 S * 12/2019 Wu D26/28
D870,936 S * 12/2019 Wu D26/28
D874,031 S * 1/2020 Herzog D26/28
D875,283 S * 2/2020 He D26/28

(71) Applicant: **Kazuhiko Ito**, Toyota (JP)

(72) Inventor: **Kazuhiko Ito**, Toyota (JP)

(73) Assignee: **TOYOTA JIDOSHA KABUSHIKI KAISHA**

(**) Term: **15 Years**

(21) Appl. No.: **29/714,094**

(22) Filed: **Nov. 21, 2019**

(30) **Foreign Application Priority Data**

May 23, 2019 (JP) 2019-011167
May 23, 2019 (JP) 2019-011168

(51) **LOC (13) Cl.** **26-06**

(52) **U.S. Cl.**
USPC **D26/28**

(58) **Field of Classification Search**

USPC D26/28-36, 139
CPC F21S 48/00; F21S 48/10; F21S 48/115;
F21S 48/225; F21S 48/1233; F21S
48/1266; F21S 48/1388; F21S 48/2268;
F21V 21/04; F21V 29/004; B60Q 9/13;
B60Q 9/135; B60Q 9/1375

See application file for complete search history.

(56) **References Cited**

U.S. PATENT DOCUMENTS

D660,486 S * 5/2012 Kamiura D26/28
D749,251 S * 2/2016 Nakahara D26/28
D761,463 S * 7/2016 Lai D26/28
D838,879 S * 1/2019 Badstuebner D26/28

OTHER PUBLICATIONS

netcarshow.com, Nissan Infiniti Q50 (2014), <<https://www.netcarshow.com/infiniti/2014-q50/>>, available as early as Mar. 12, 2019.
Toyota, Toyota Passo (2019), <<https://toyota.jp/passos>>, available as early as Mar. 12, 2019.

(Continued)

Primary Examiner — Marcus A Jackson

(74) *Attorney, Agent, or Firm* — Saidman DesignLaw Group, LLC

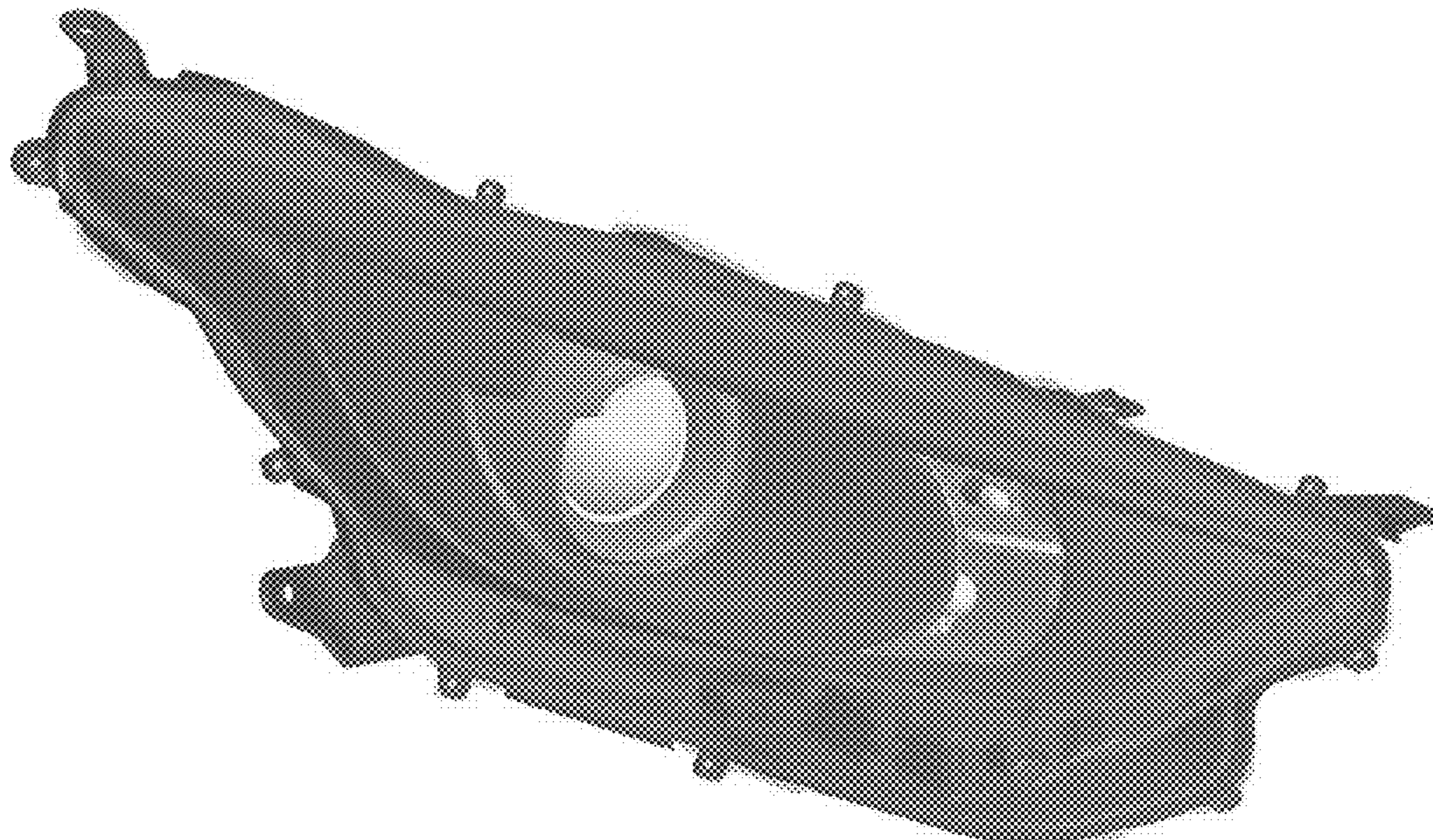
(57) **CLAIM**

The ornamental design for a front combination lamp for an automobile, as shown and described.

DESCRIPTION

FIG. 1 is a perspective view of a front combination lamp for an automobile showing my new design;
FIG. 2 is a front view thereof;
FIG. 3 is a rear view thereof;
FIG. 4 is a right side view thereof;
FIG. 5 is a left side view thereof;
FIG. 6 is a top view thereof;
FIG. 7 is a bottom view thereof;
FIG. 8 is a perspective view of another embodiment thereof;
FIG. 9 is a front view thereof;
FIG. 10 is a rear view thereof;
FIG. 11 is a right side view thereof;
FIG. 12 is a left side view thereof;
FIG. 13 is a top view thereof; and,
FIG. 14 is a bottom view thereof.

1 Claim, 14 Drawing Sheets



(56)

References Cited

OTHER PUBLICATIONS

Wikipedia, Daimler Mercedes—AMG Project One Concept (2017), <https://ja.wikipedia.org/wiki/%E3%83%A1%E3%83%AB%E3%82%BB%E3%83%87%E3%82%B9-AMG_%E3%83%97%E3%83%AD%E3%82%B8%E3%82%A7%E3%82%AF%E3%83%88%E3%83%AF%E3%83%B3>, available as early as Mar. 12, 2019.
Car Watch, Honda Fit (2017), <<https://car.watch.impress.co.jp/docs/news/photo/1067827.html>>, available as early as Mar. 12, 2019.

* cited by examiner



FIG. 1

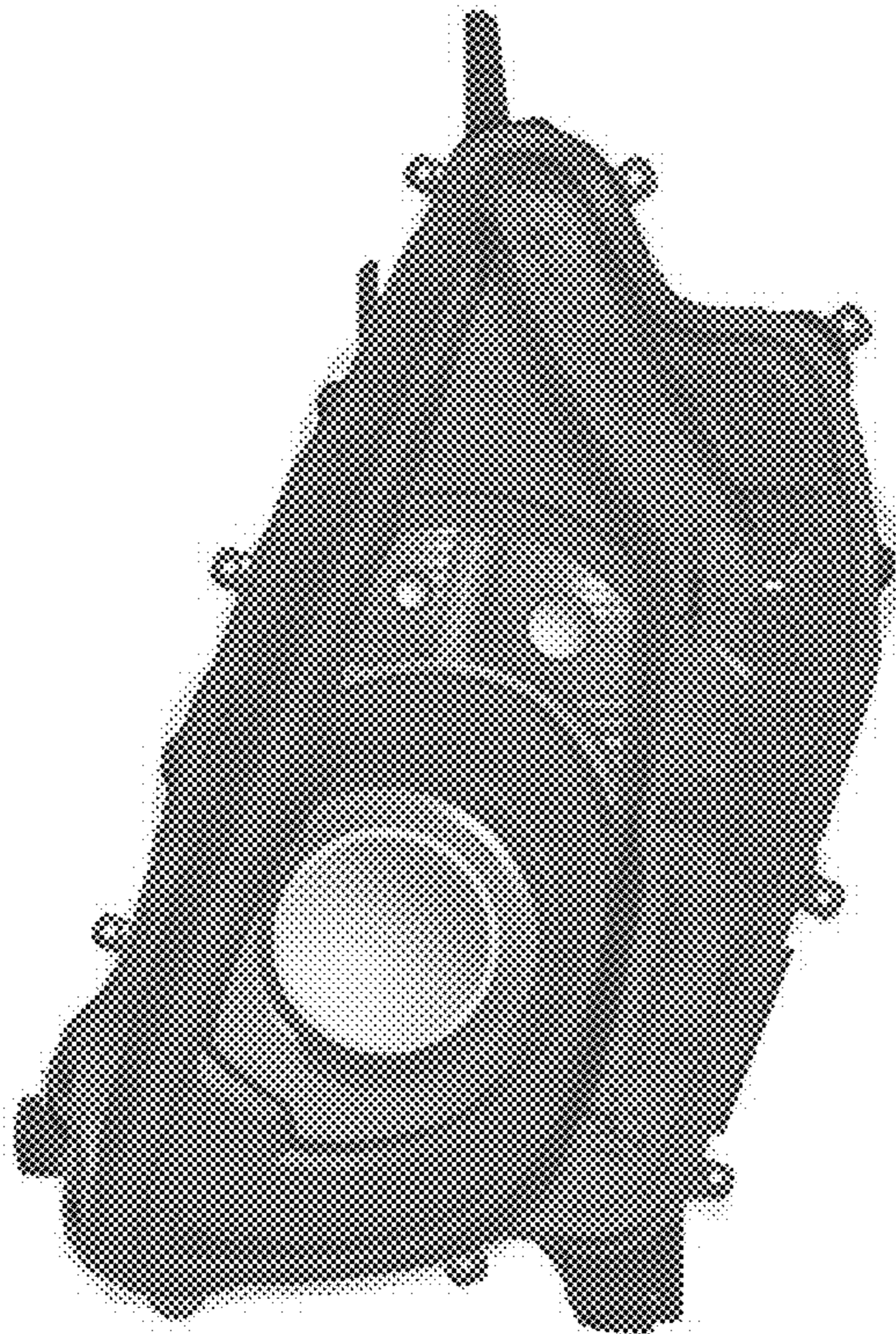


FIG. 2

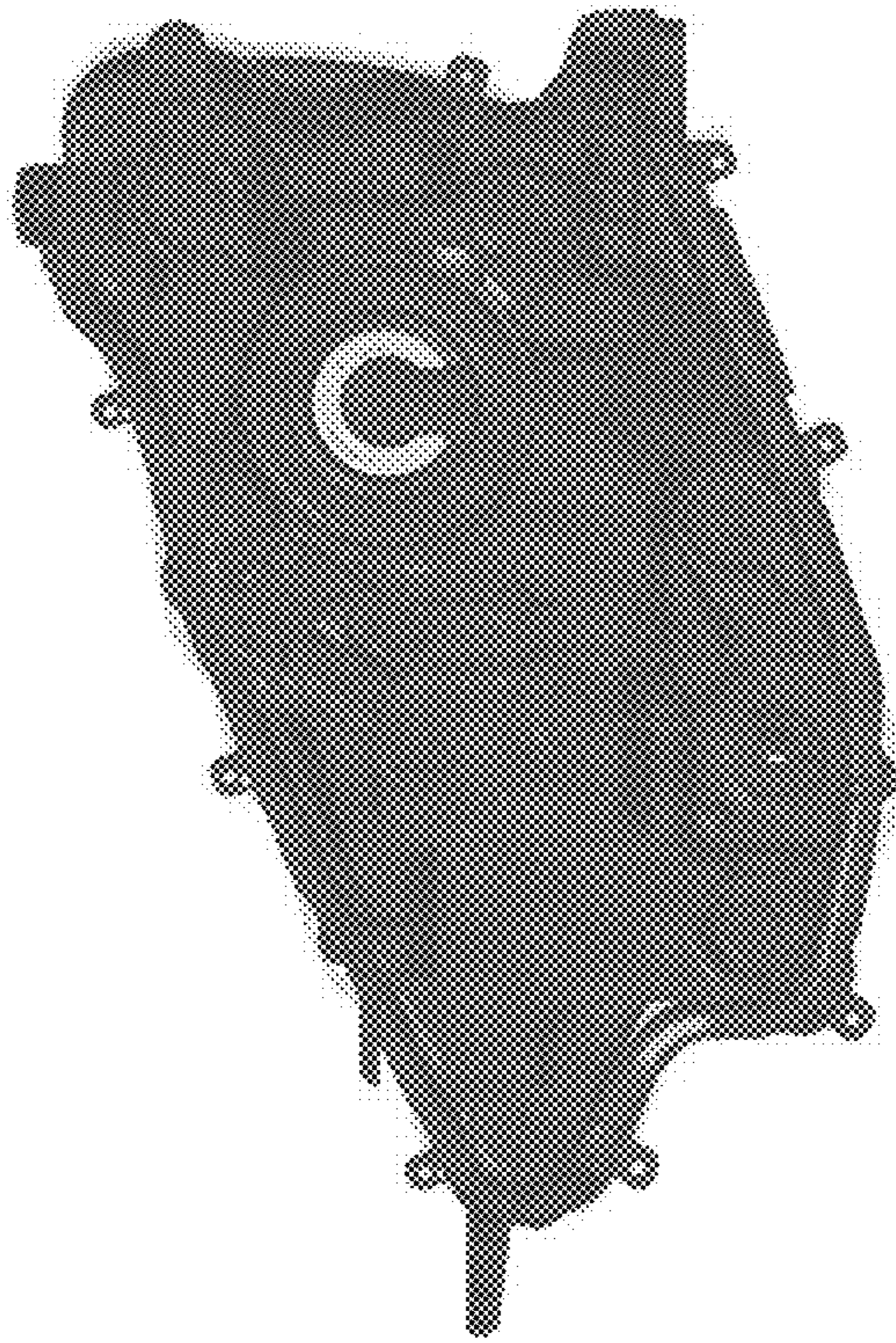


FIG. 3

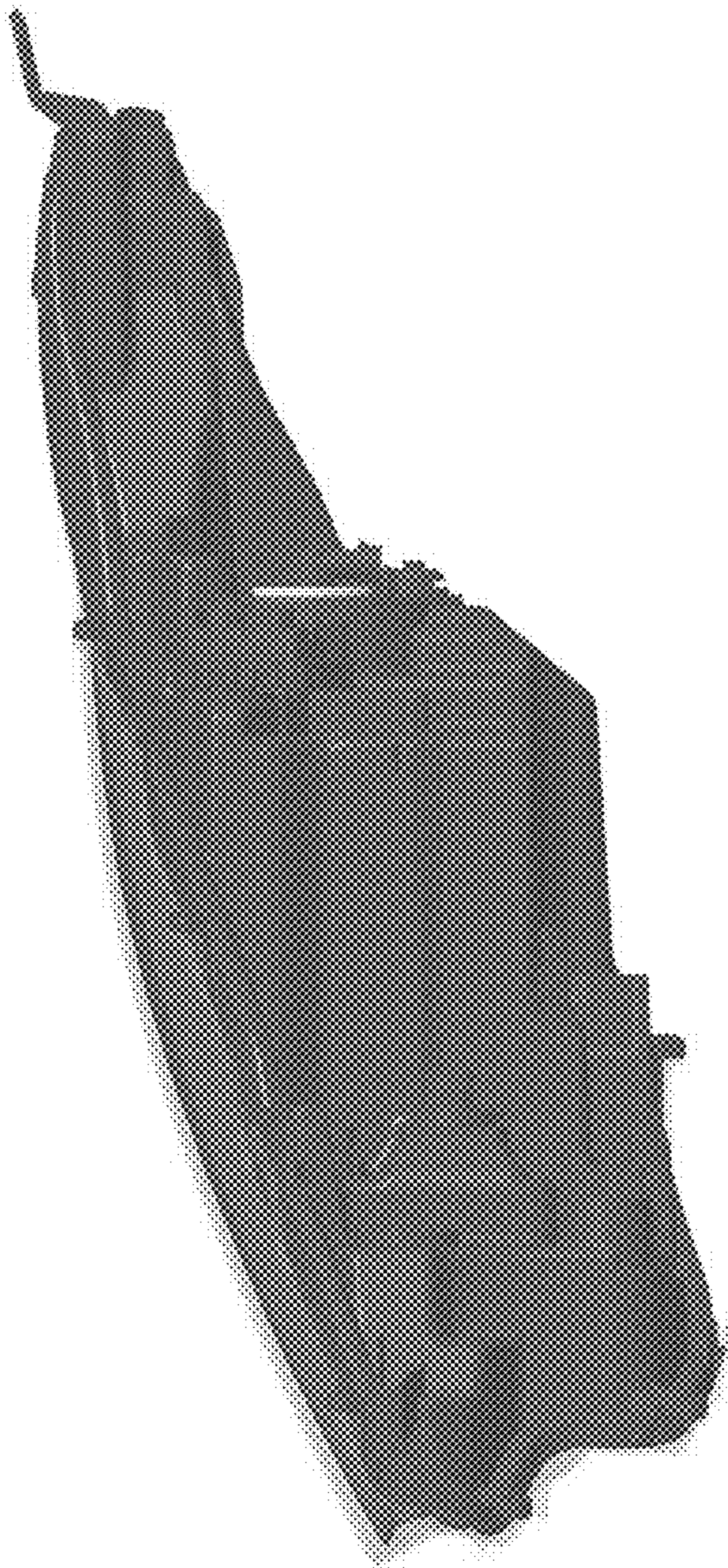


FIG. 4

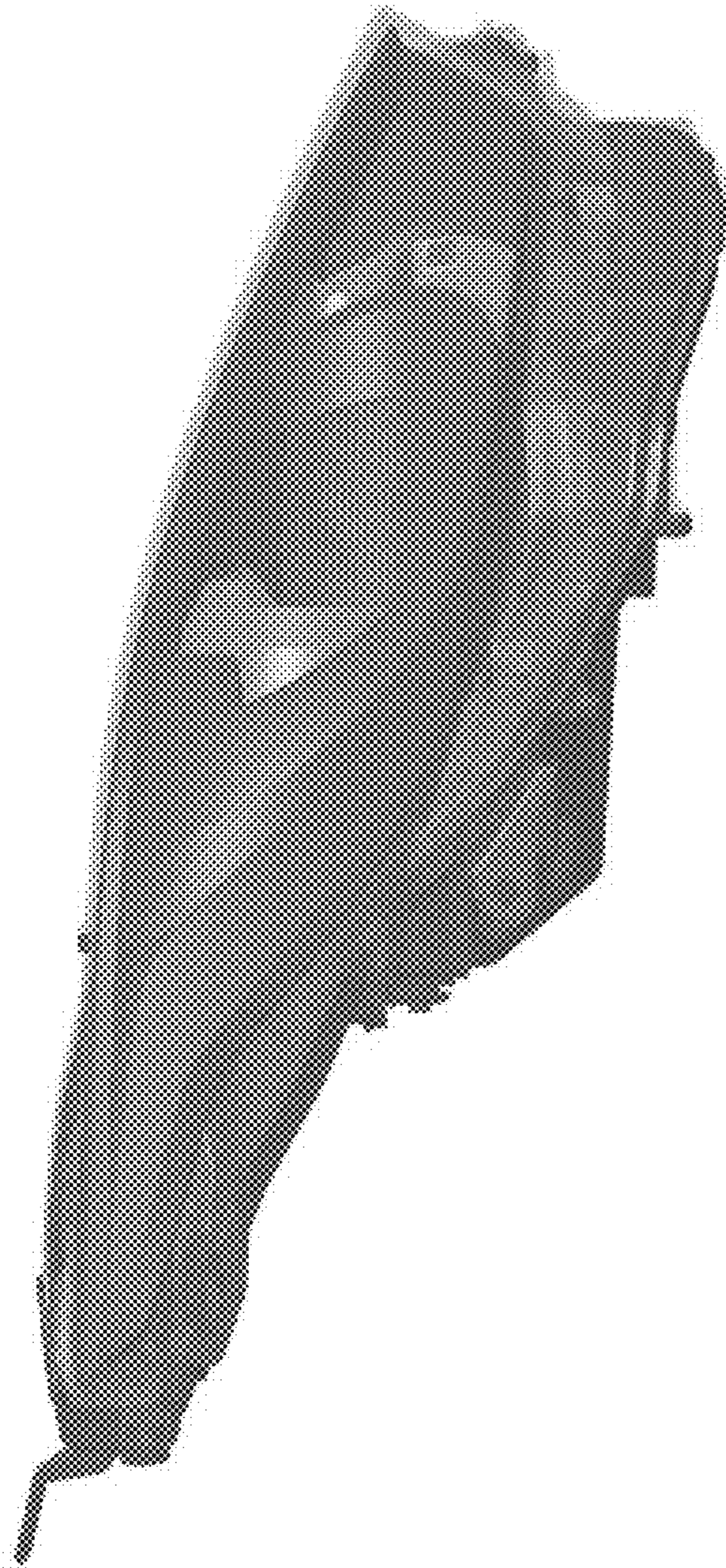


FIG. 5

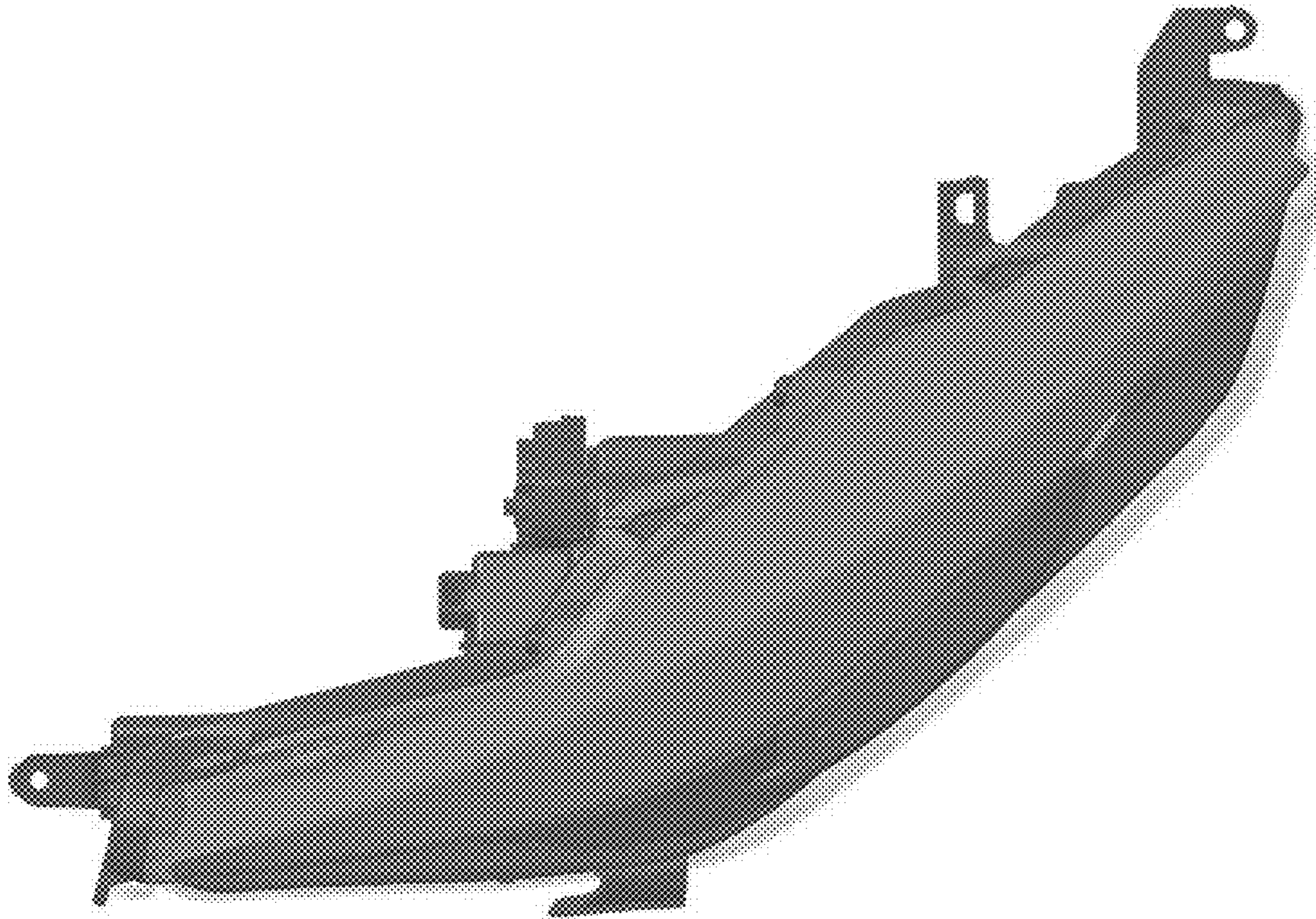


FIG. 6

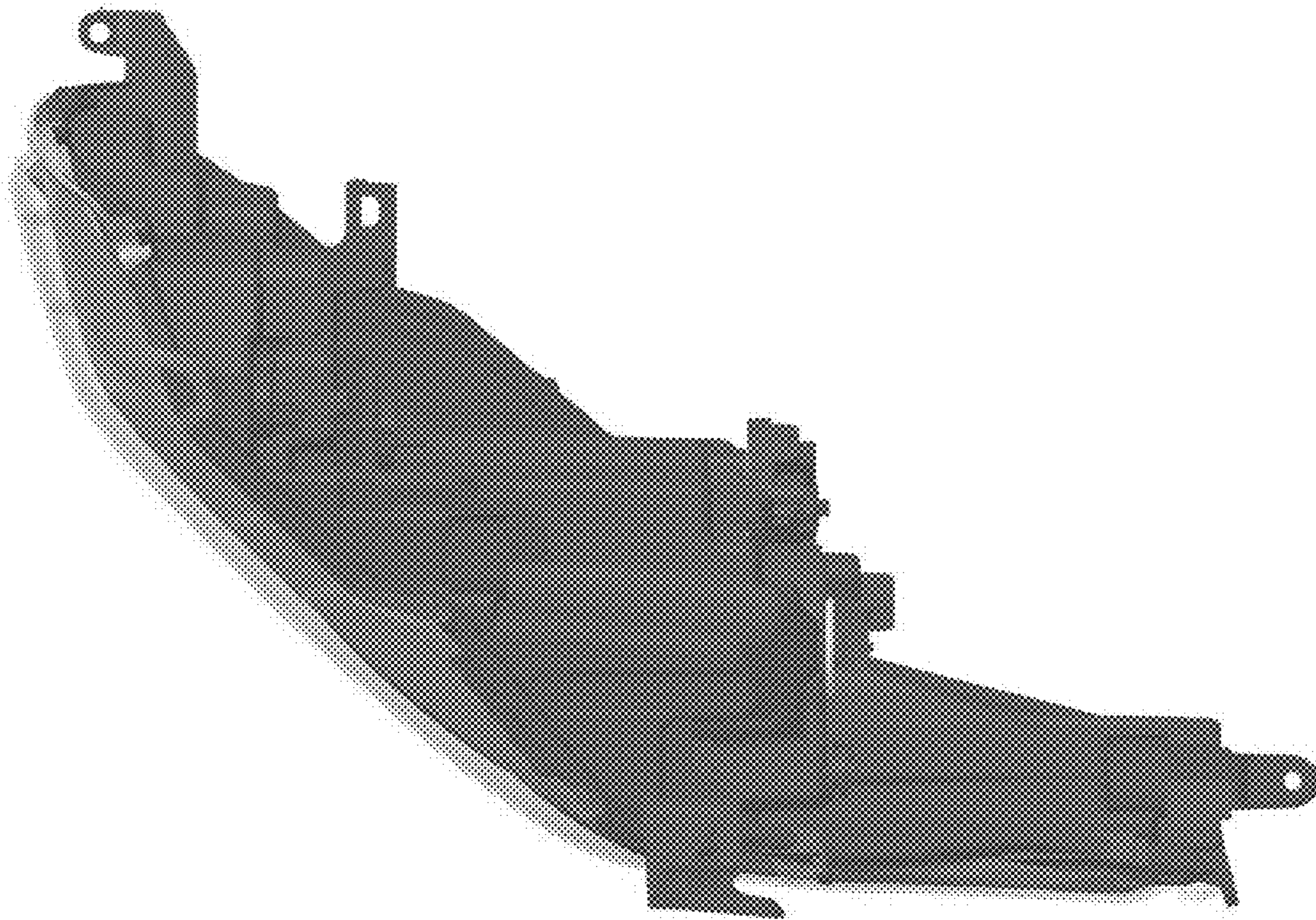


FIG. 7

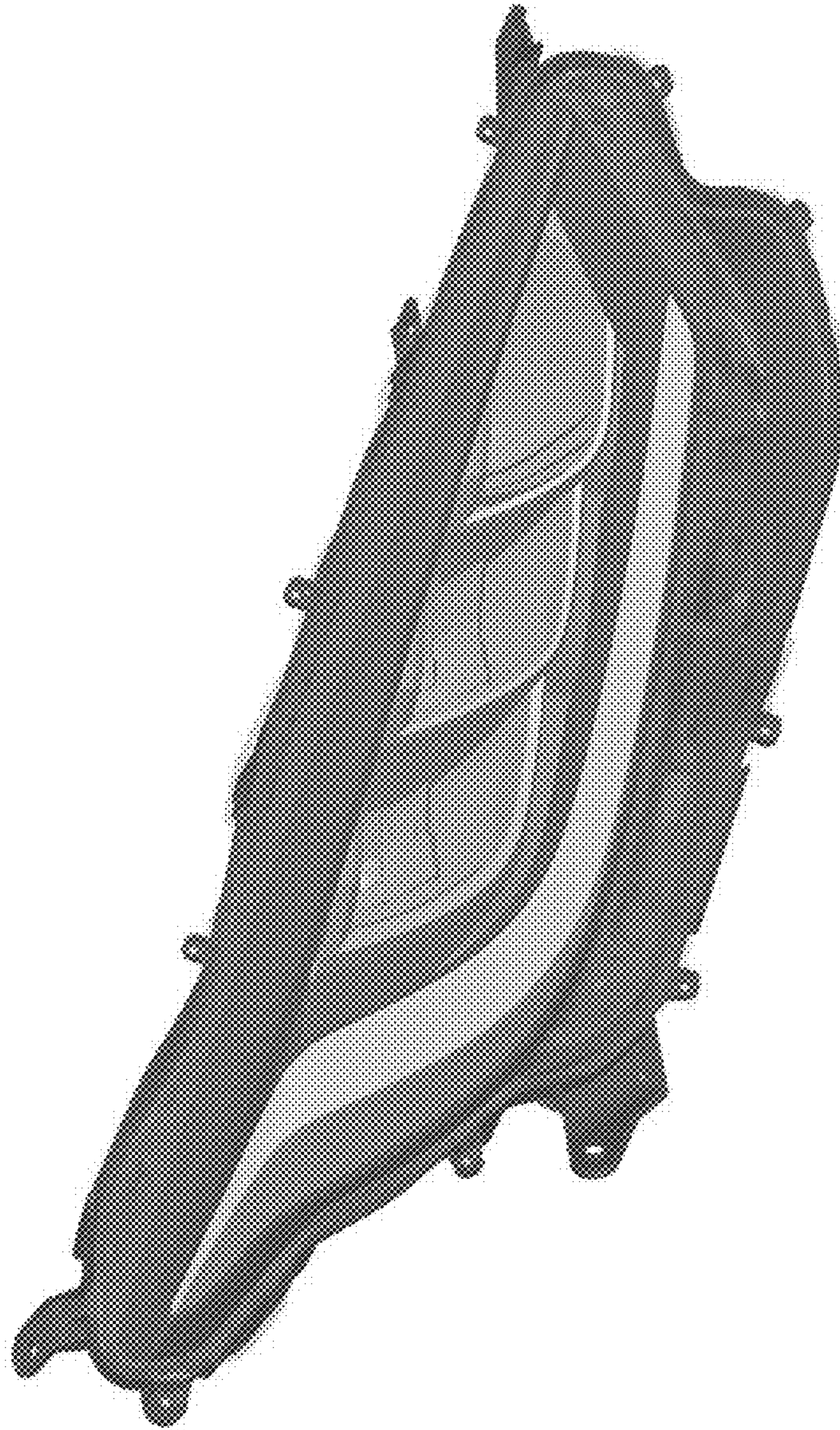


FIG. 8

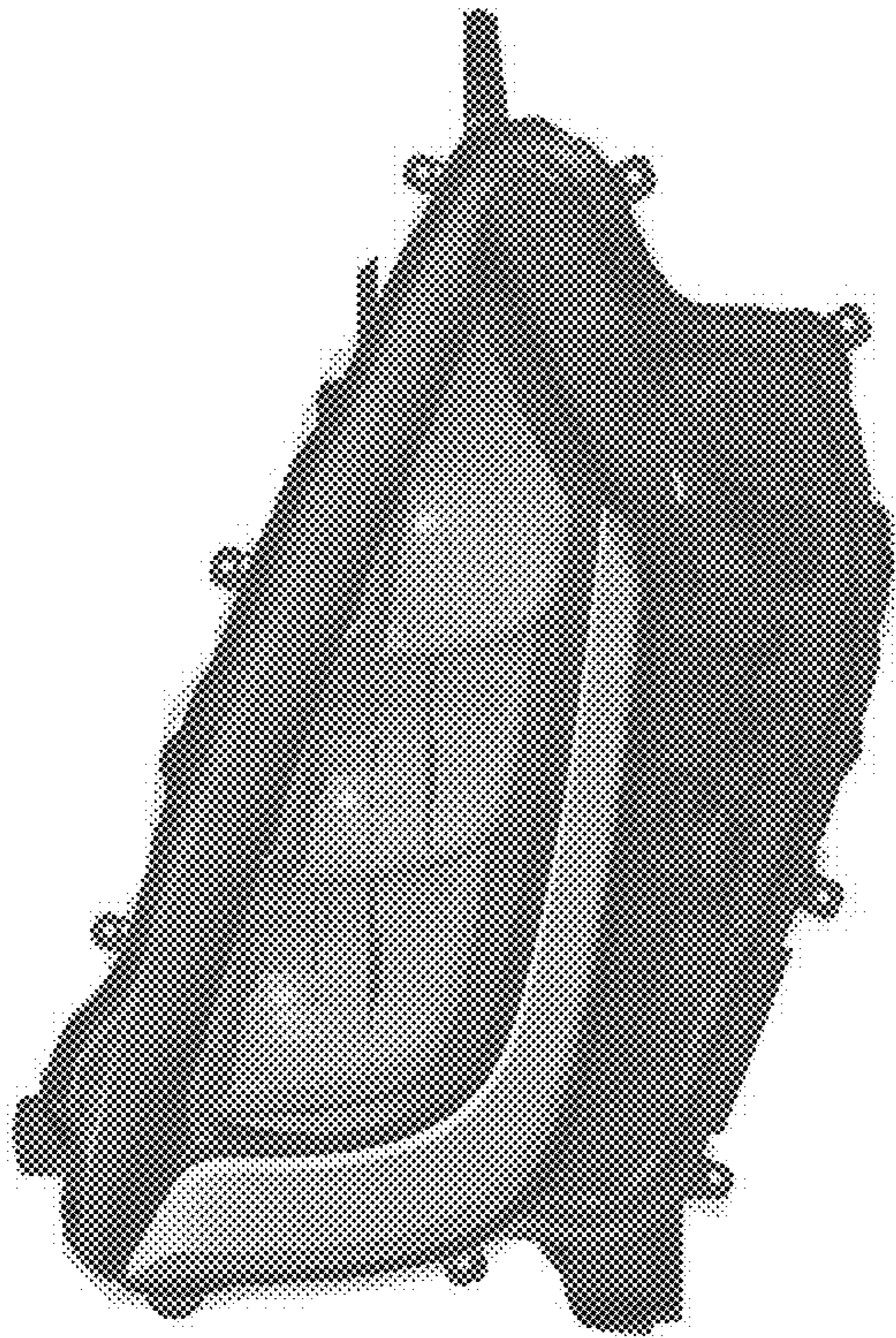


FIG. 9

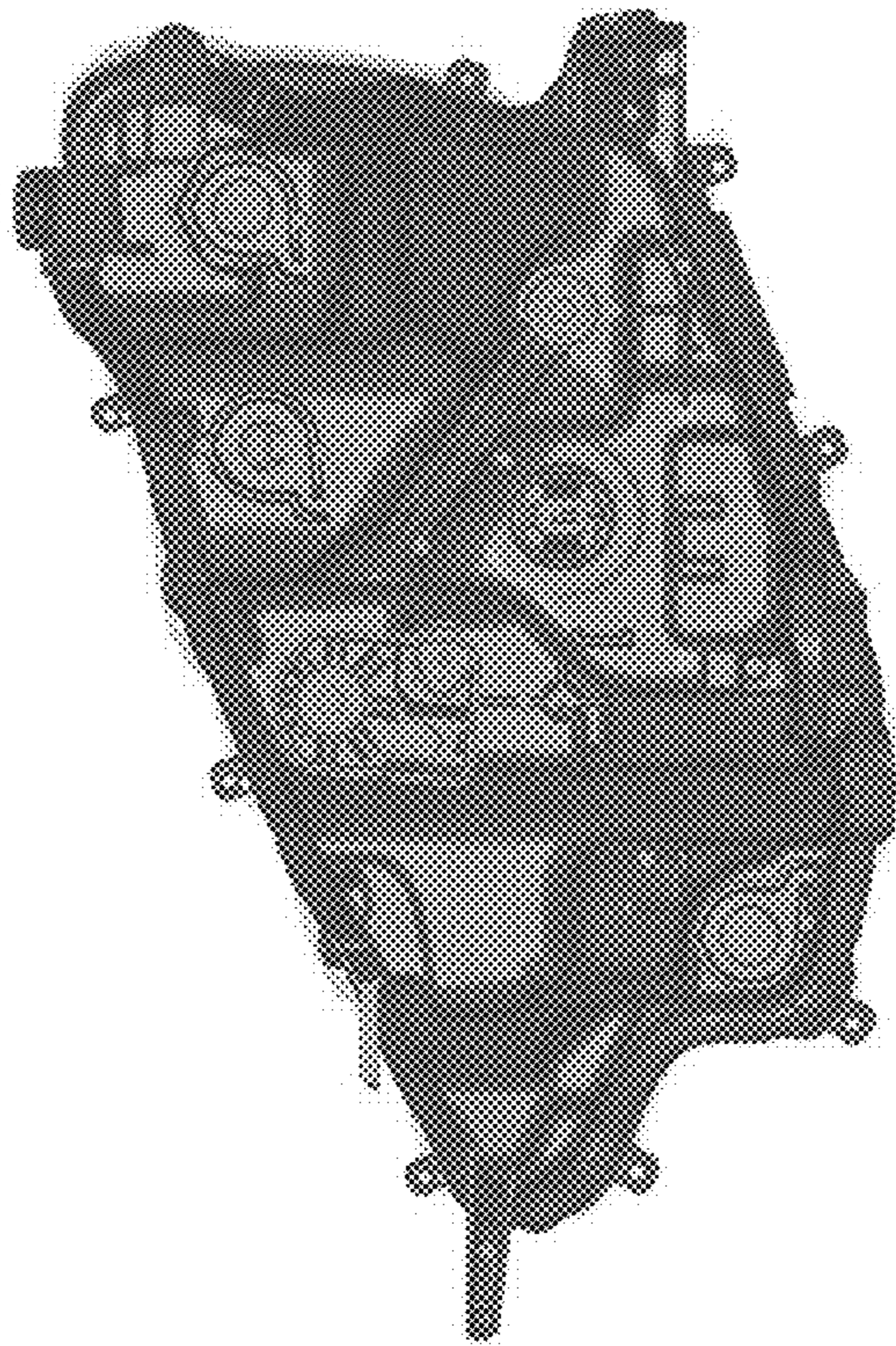


FIG. 10

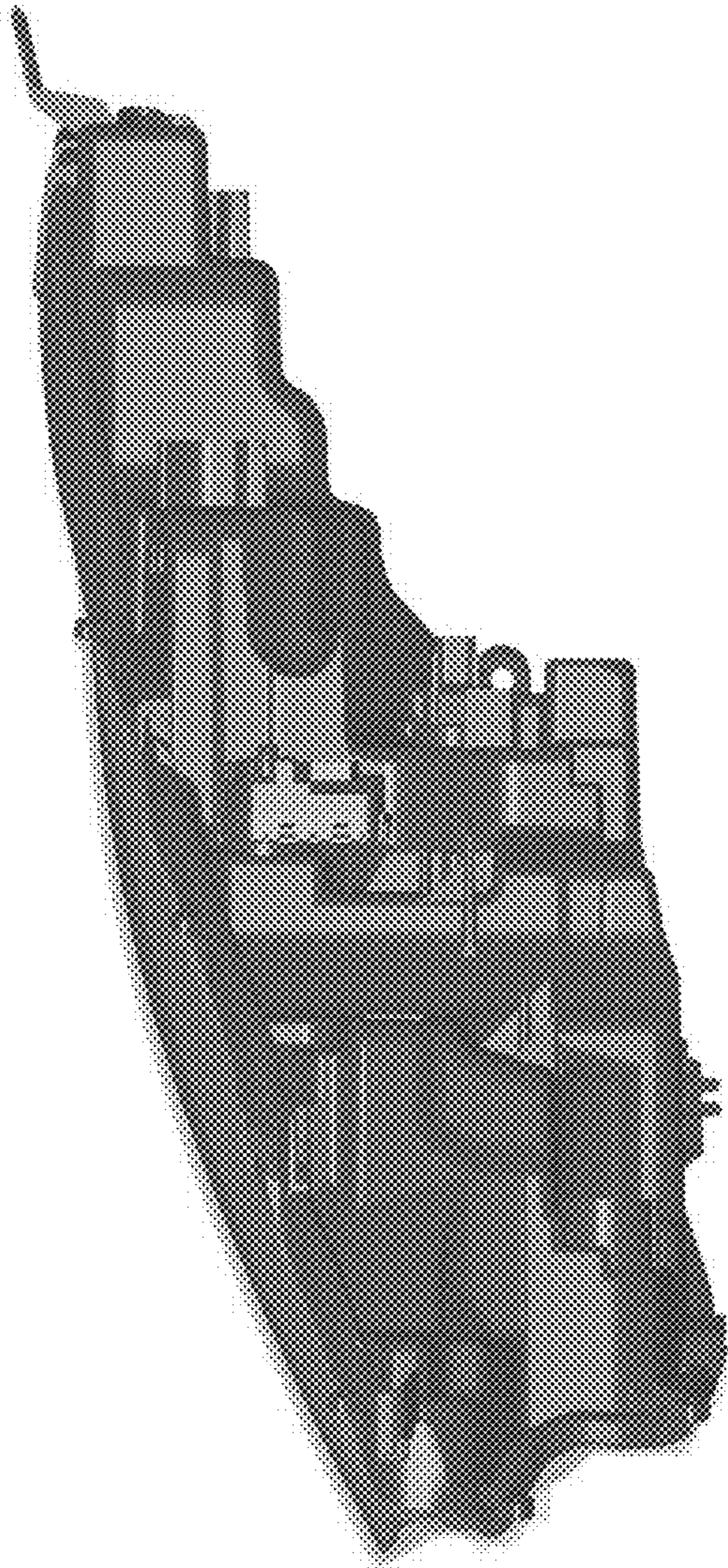


FIG. 11

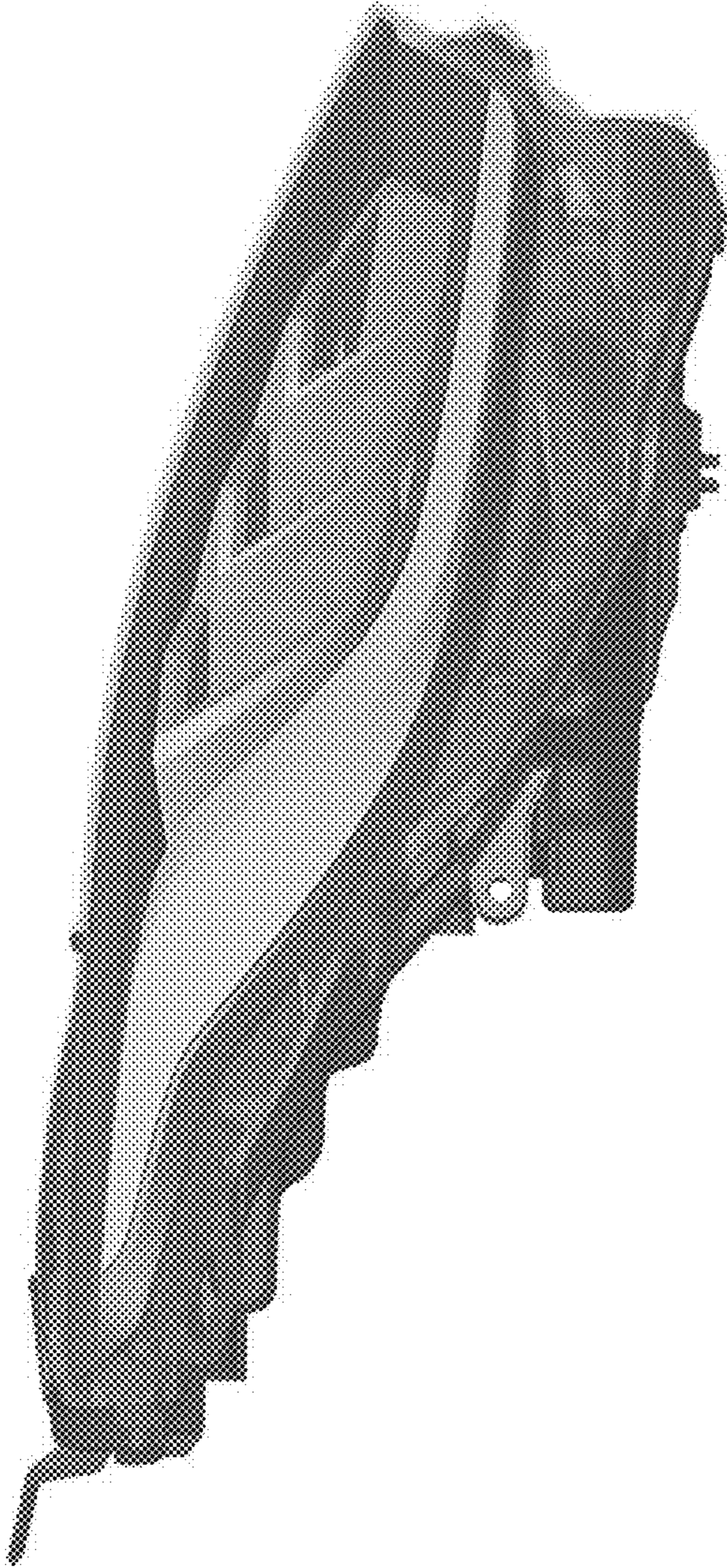


FIG. 12

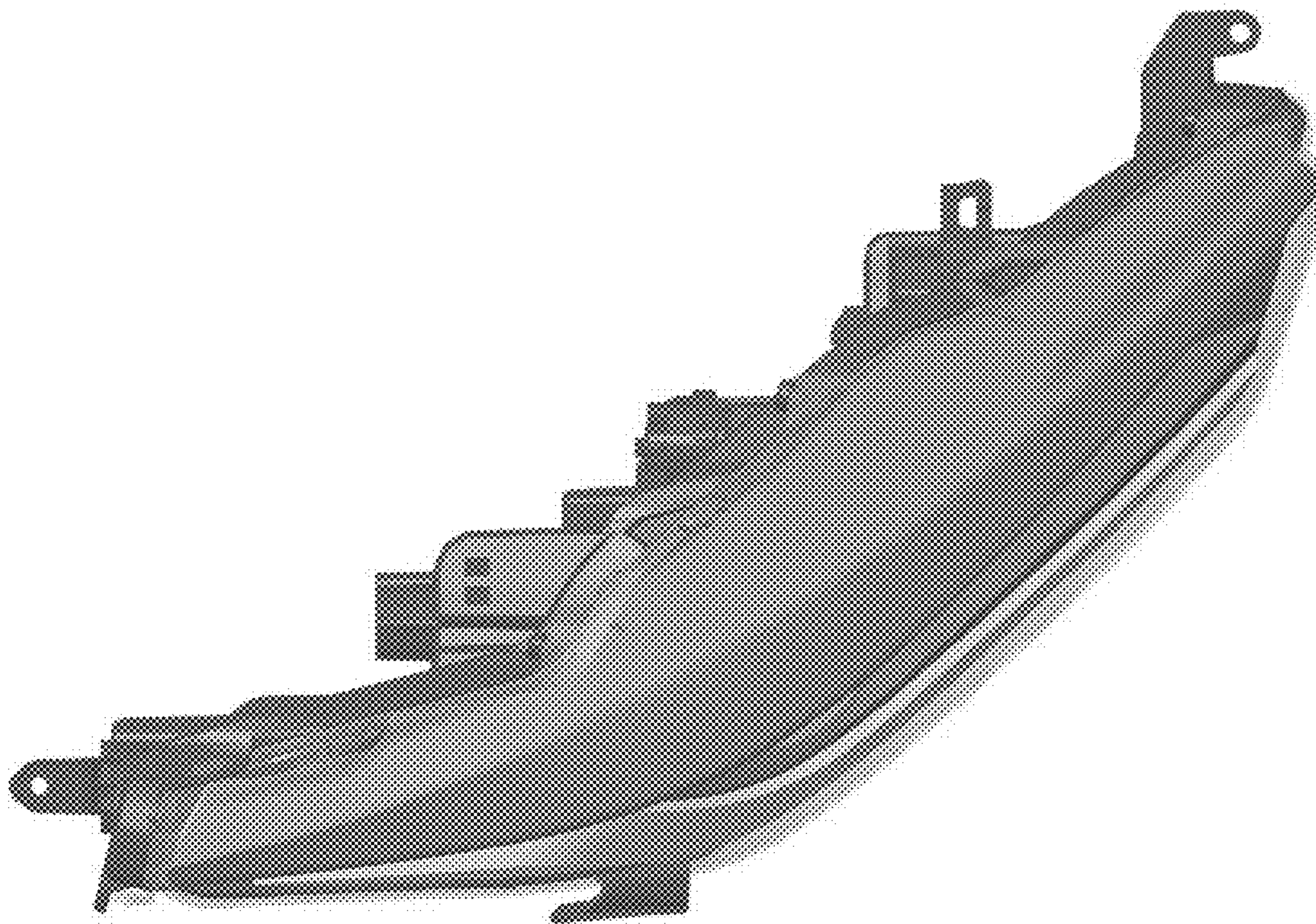


FIG. 13

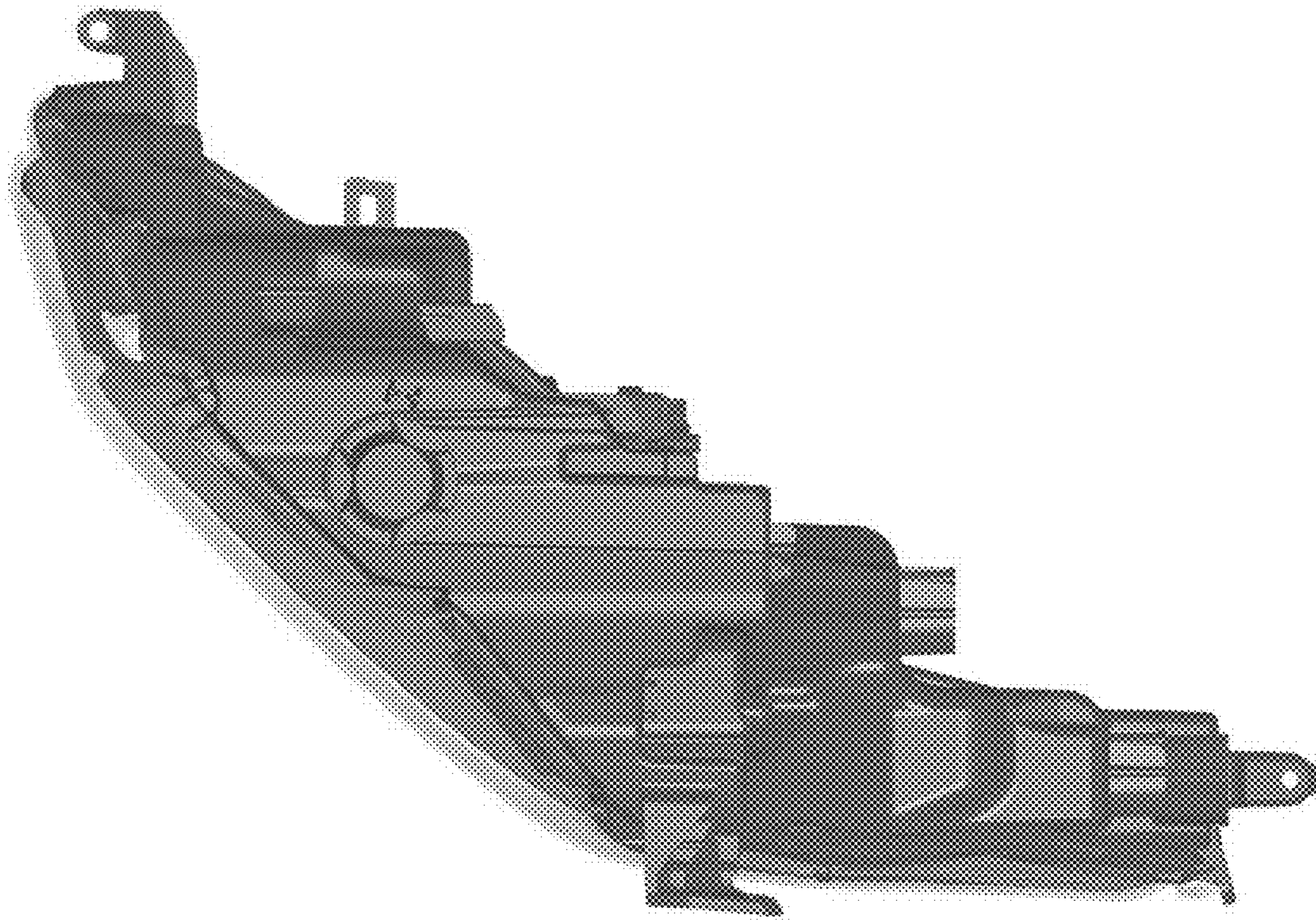


FIG. 14