



US00D940357S

(12) **United States Design Patent**
Wang et al.

(10) **Patent No.:** **US D940,357 S**
(45) **Date of Patent:** **** Jan. 4, 2022**

(54) **CHRISTMAS LAMPSHADE**

D546,982 S * 7/2007 Van Dyn Hoven D26/4
D565,751 S * 4/2008 Van Dyn Hoven D26/4
D884,256 S 5/2020 Yu et al.

(71) Applicant: **Jinqing Wang**, Linhai (CN)

* cited by examiner

(72) Inventors: **Jinqing Wang**, Linhai (CN); **Yanting Sun**, Linhai (CN); **Xinyi Hu**, Linhai (CN); **Jie Wang**, Linhai (CN)

Primary Examiner — Marcus A Jackson

(**) Term: **15 Years**

(21) Appl. No.: **29/775,098**

(22) Filed: **Mar. 22, 2021**

(57) **CLAIM**

The ornamental design for a Christmas lampshade, as shown and described.

(30) **Foreign Application Priority Data**

Feb. 25, 2021 (CN) 202130106774.3

DESCRIPTION

(51) **LOC (13) Cl.** **26-04**

(52) **U.S. Cl.**
USPC **D26/4**

(58) **Field of Classification Search**
USPC D26/1-4
CPC H01R 5/00; H01R 13/46; H01R 13/514;
H01R 31/02; H01R 31/048; H01J 5/00;
H01J 5/16; H01J 1/02; H01J 15/00; H01J
5/48; H01J 5/50; H01J 19/54; F21V 5/00;
F21K 9/00; F21K 13/00

See application file for complete search history.

FIG. 1 is a front and top perspective view of a Christmas lampshade, showing our new design;
FIG. 2 is a rear and bottom perspective view thereof;
FIG. 3 is a front elevation view thereof;
FIG. 4 is a rear elevation view thereof;
FIG. 5 is a left side elevation view thereof;
FIG. 6 is a right side elevation view thereof;
FIG. 7 is a top plan view thereof; and,
FIG. 8 is a bottom plan view thereof.

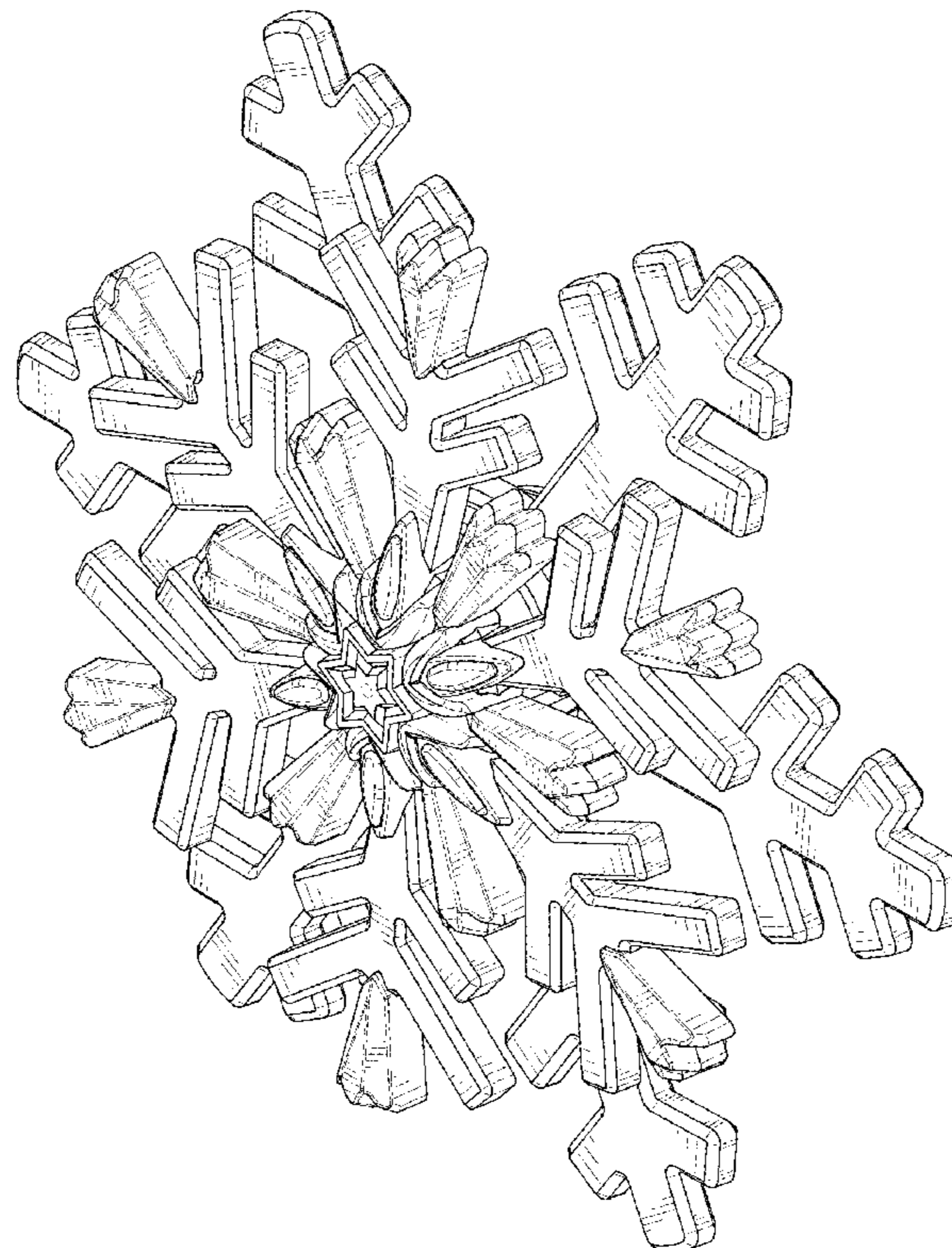
(56) **References Cited**

U.S. PATENT DOCUMENTS

D381,440 S * 7/1997 Cheung D26/4
D537,177 S * 2/2007 Chang D26/4

The broken lines in the figures illustrate portions of the Christmas lampshade that form no part of the claimed design.

1 Claim, 8 Drawing Sheets



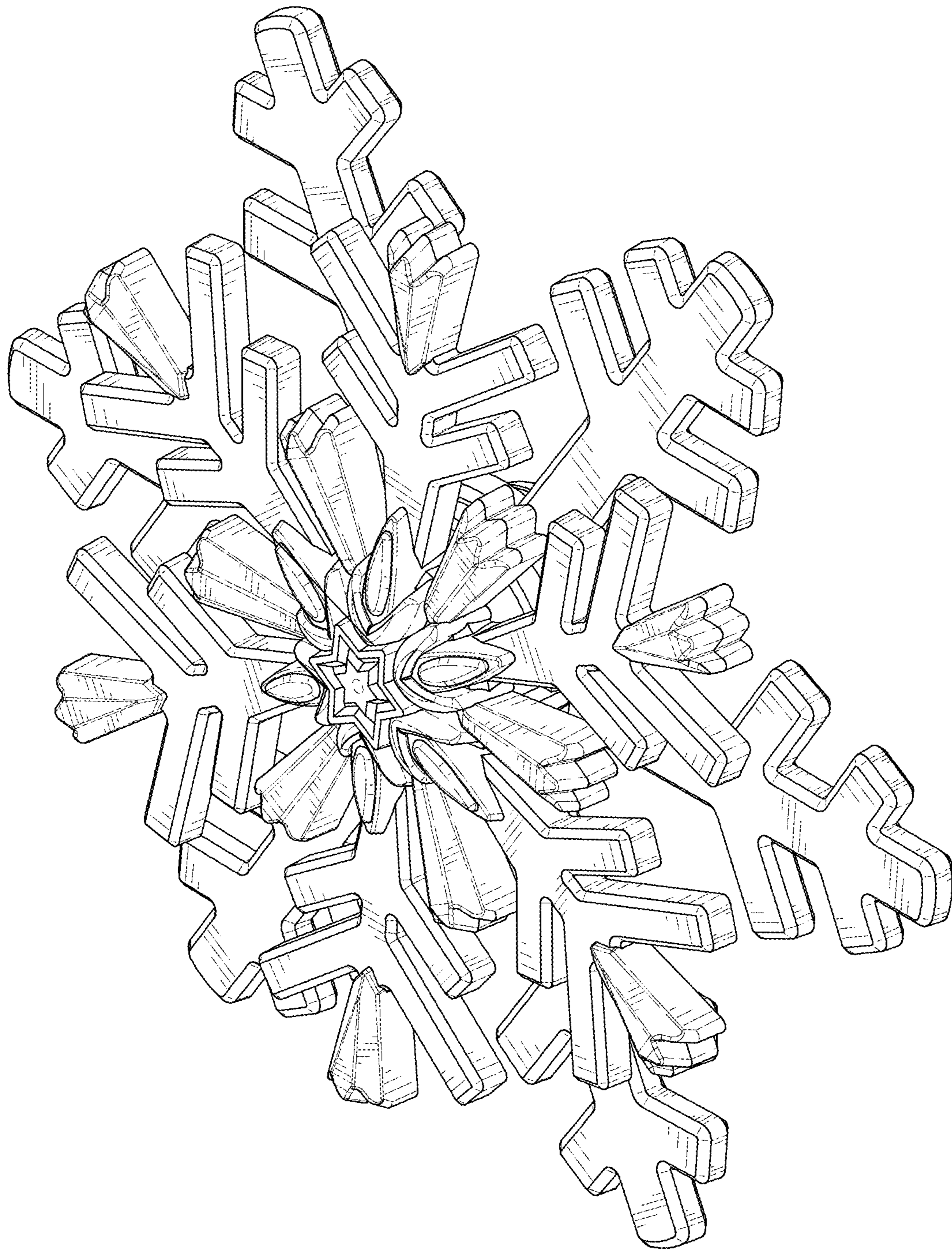


FIG. 1

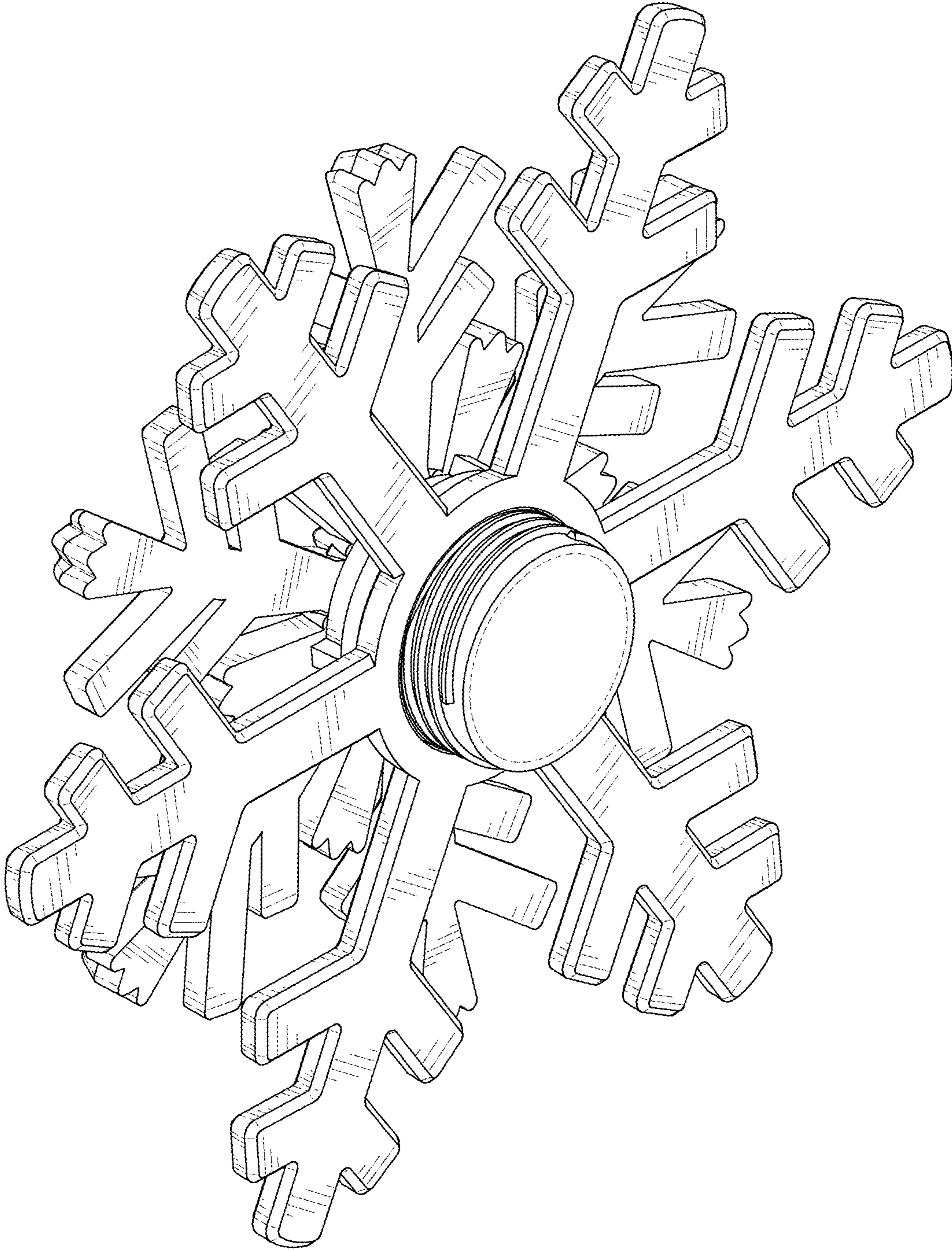


FIG. 2

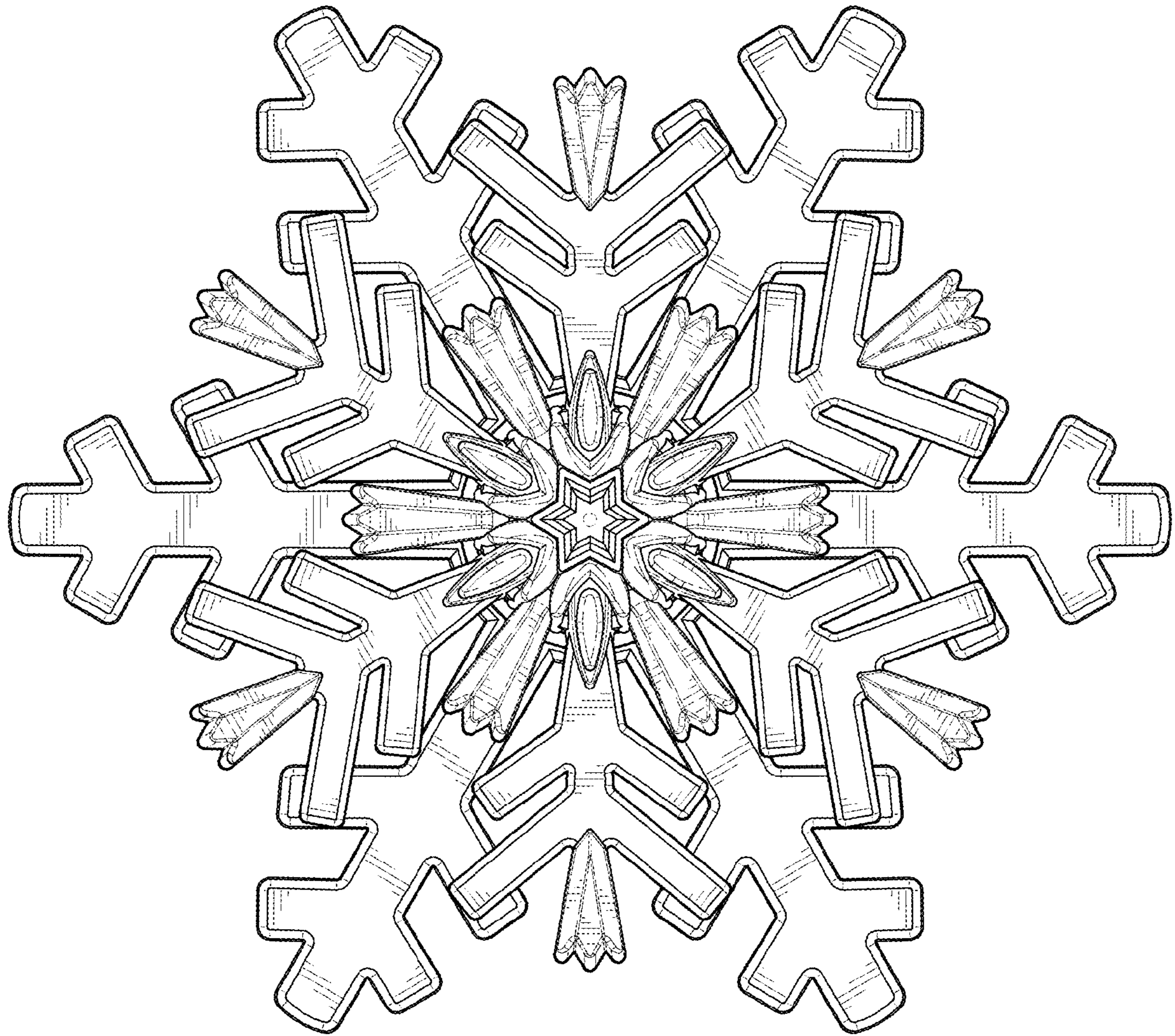


FIG. 3

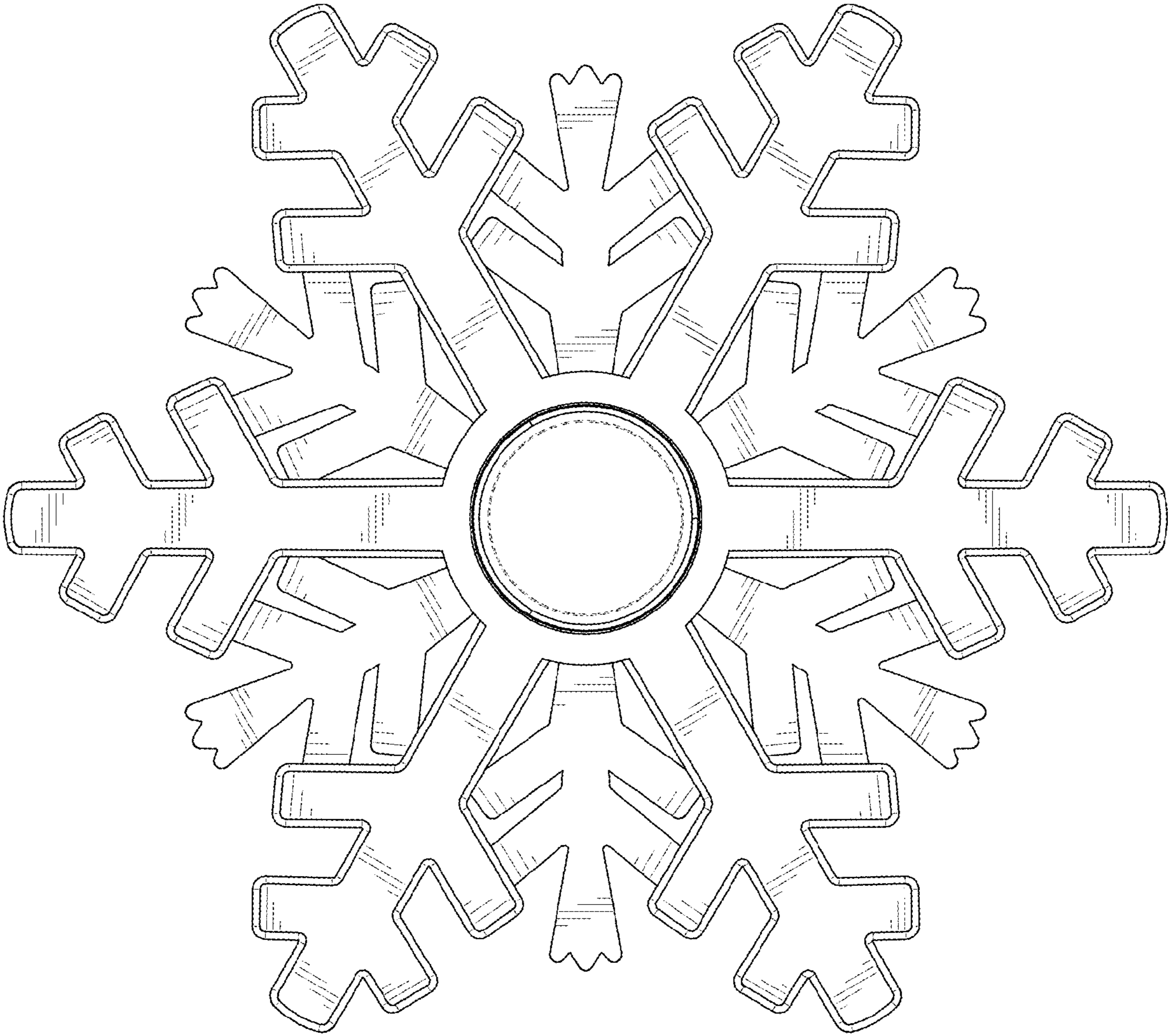


FIG. 4

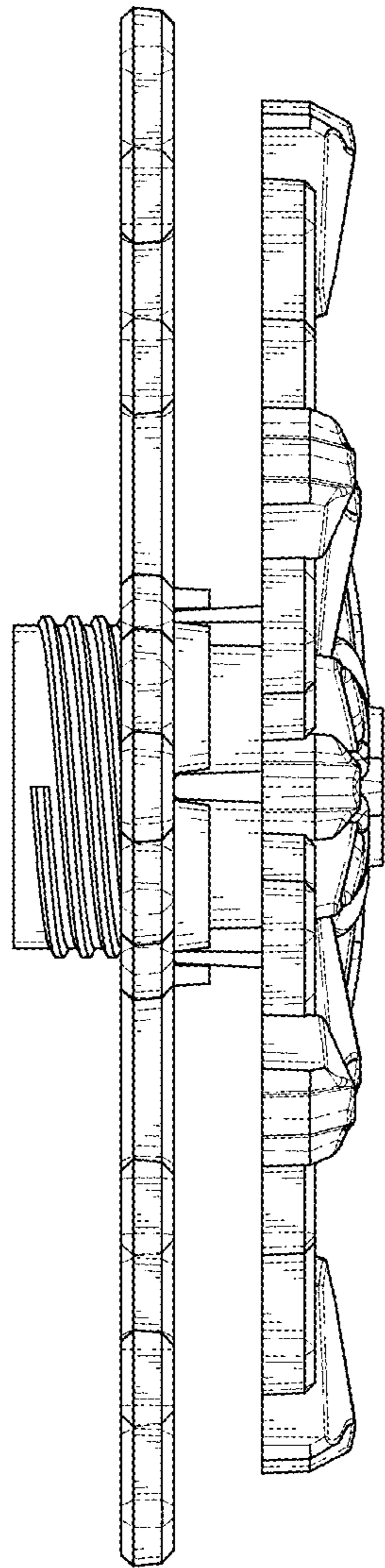


FIG. 5

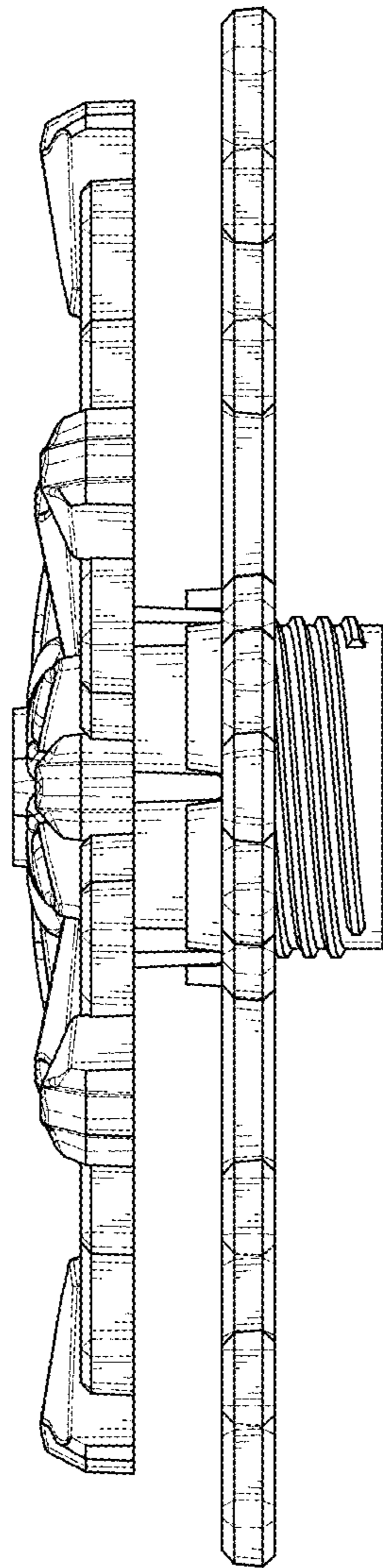


FIG. 6

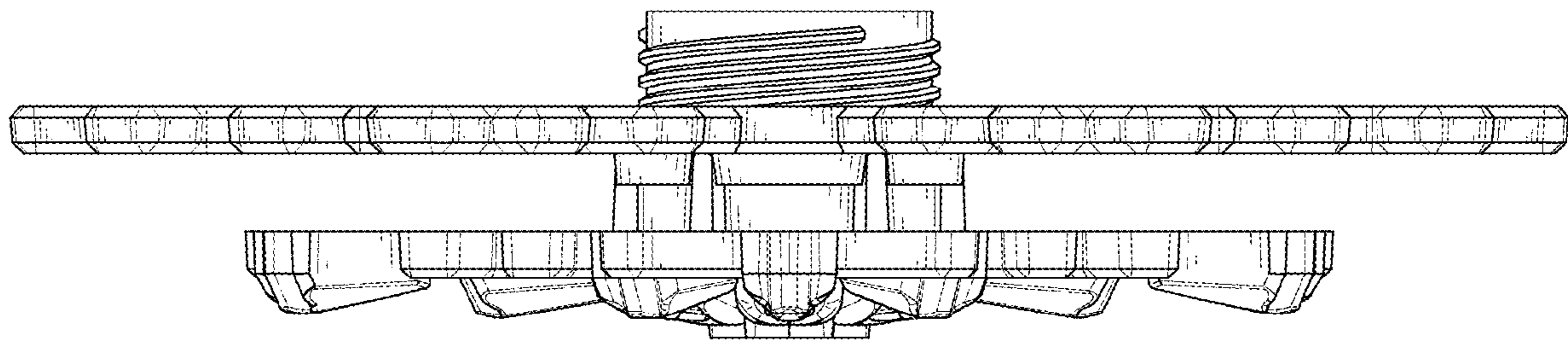


FIG. 7

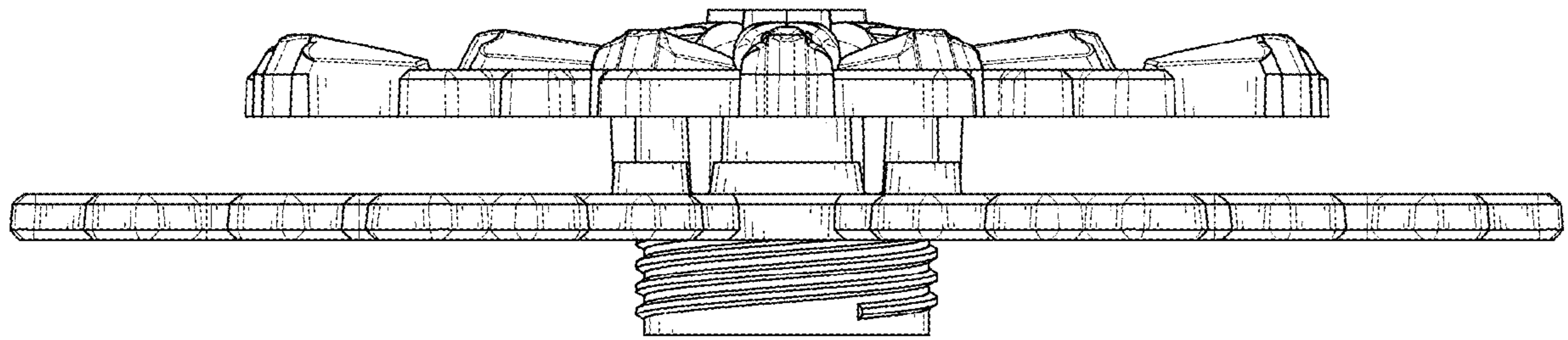


FIG. 8