



US00D940355S

(12) **United States Design Patent**  
**Takahashi**

(10) **Patent No.:** **US D940,355 S**  
(45) **Date of Patent:** **\*\* Jan. 4, 2022**

(54) **COVER ASSEMBLY TO BE MOUNTED ON POLE**

(71) Applicant: **DKK Co., Ltd.**, Tokyo (JP)

(72) Inventor: **Higeyoshi Takahashi**, Tokyo (JP)

(73) Assignee: **DKK Co., Ltd.**

(\*\*) Term: **15 Years**

(21) Appl. No.: **29/720,040**

(22) Filed: **Jan. 9, 2020**

(30) **Foreign Application Priority Data**

Jul. 16, 2019 (JP) ..... 2019-015905

(51) **LOC (13) Cl.** ..... **25-01**

(52) **U.S. Cl.**

USPC ..... **D25/133**

(58) **Field of Classification Search**

USPC ..... D25/119, 125, 126, 127, 128, 129, 130,  
D25/131, 132, 133, 135, 136, 61, 164;  
D8/45, 71, 394-396, 349, 354, 355;  
D15/135, 136, 138

CPC ..... E04B 9/068; E04B 1/19; E04B 1/1903;  
E04B 1/24; E04B 1/2403; E04B 1/40;  
E04B 2001/2415; E04B 2001/2421; E04B  
2001/2451; E04C 3/07; E04C 2003/046;  
E04C 3/04; E04C 3/06; E04H 12/2269;  
E04H 12/24; E04H 15/34; E04H 17/1421;  
E04H 12/00; B60K 25/08; C21D 1/42;  
C21D 1/667; C21D 9/0062; C21D 9/40;  
F16D 11/14; F16D 15/00; F16D 1/101;  
F16D 1/12; H05B 6/101; H05B 6/109;  
H05B 6/36; H05B 6/42; H05B 6/44;  
Y02P 10/25; H01Q 1/42

See application file for complete search history.

(56) **References Cited**

U.S. PATENT DOCUMENTS

3,837,418 A \* 9/1974 Kawashiro ..... B60K 25/08  
180/53.61  
D437,426 S \* 2/2001 Ginsburg ..... D25/126

D671,654 S \* 11/2012 Akamatsu ..... D24/232  
D679,026 S \* 3/2013 Akamatsu ..... D24/232  
D711,557 S \* 8/2014 Halfmann ..... D25/135  
D737,997 S \* 9/2015 Cassidy ..... D25/133  
D754,880 S \* 4/2016 Reusing ..... D25/133  
9,581,207 B2 \* 2/2017 Tokieda ..... F16D 15/00  
D792,613 S \* 7/2017 Bar-or ..... D25/126  
D817,915 S \* 5/2018 Norrell ..... D14/188

(Continued)

*Primary Examiner* — Samantha Q Lawrence

(74) *Attorney, Agent, or Firm* — Lerner, David,  
Littenberg, Krumholz & Mentlik, LLP

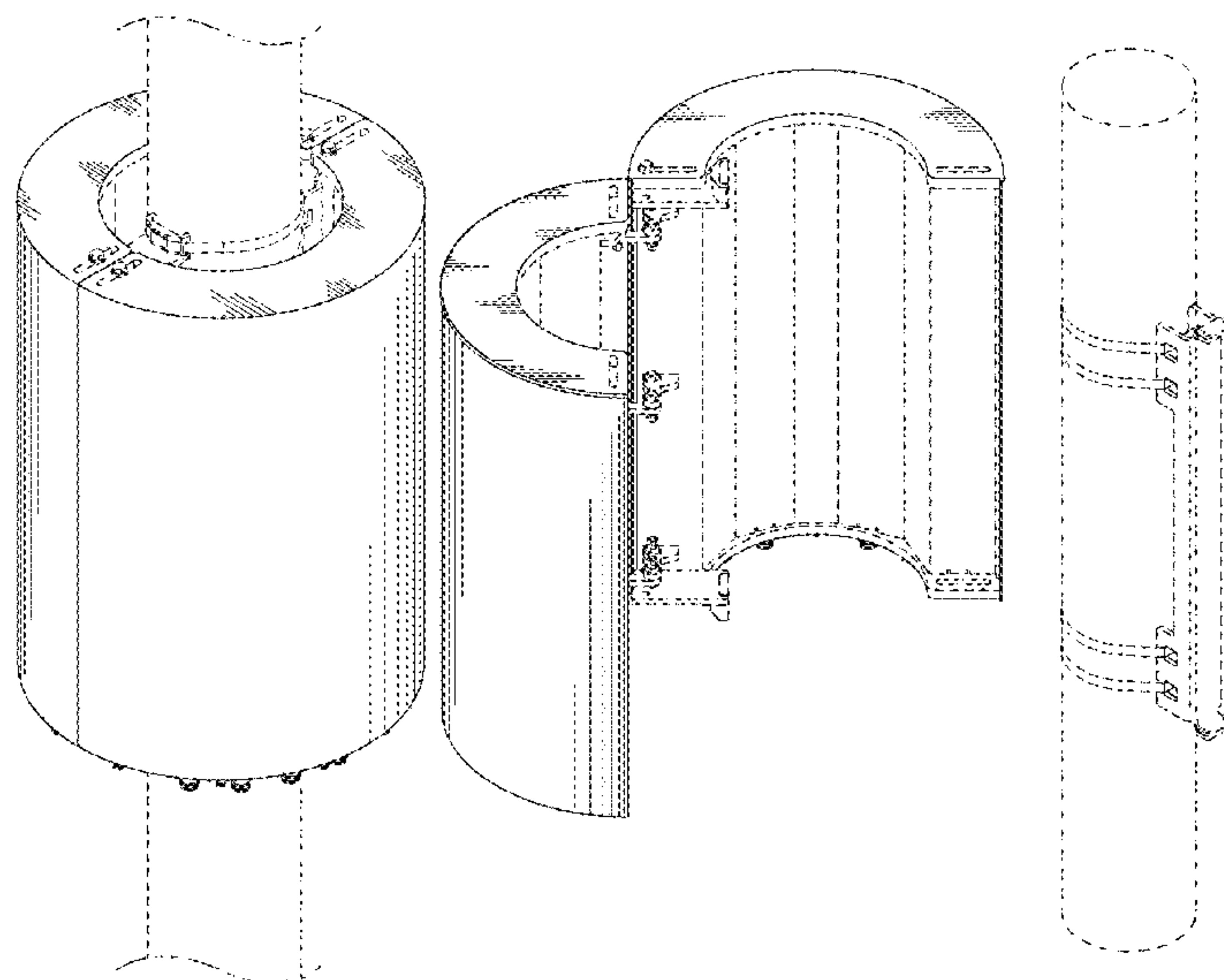
(57) **CLAIM**

The ornamental design for a cover assembly to be mounted on pole, as shown and described.

**DESCRIPTION**

FIG. 1 is a front view of a cover assembly to be mounted on a pole, showing our new design;  
FIG. 2 is a rear view thereof;  
FIG. 3 is a left side view thereof;  
FIG. 4 is a right side view thereof;  
FIG. 5 is a top view thereof;  
FIG. 6 is a bottom view thereof;  
FIG. 7 is a perspective view thereof showing an in use example thereof;  
FIG. 8 is a perspective view thereof showing the cover assembly to be mounted on a pole in an example use and in an example open position;  
FIG. 9 is another perspective view of FIG. 8; and,  
FIG. 10 is a perspective view thereof showing another in use example thereof.  
The broken lines shown in FIGS. 7-10 illustrate environment and form no part of the claimed design.

**1 Claim, 10 Drawing Sheets**



(56)

**References Cited**

U.S. PATENT DOCUMENTS

D817,916 S *	5/2018	Norrell	.....	D14/188
10,422,014 B2 *	9/2019	Shimbe	.....	C21D 1/667
D925,776 S *	7/2021	Wendt	.....	D25/119
2009/0155001 A1 *	6/2009	Kim	.....	E02D 5/02
				405/251
2013/0028666 A1 *	1/2013	Atchley	.....	E02D 13/10
				405/251
2021/0036417 A1 *	2/2021	Takahashi	.....	E04H 12/003

\* cited by examiner

FIG.1

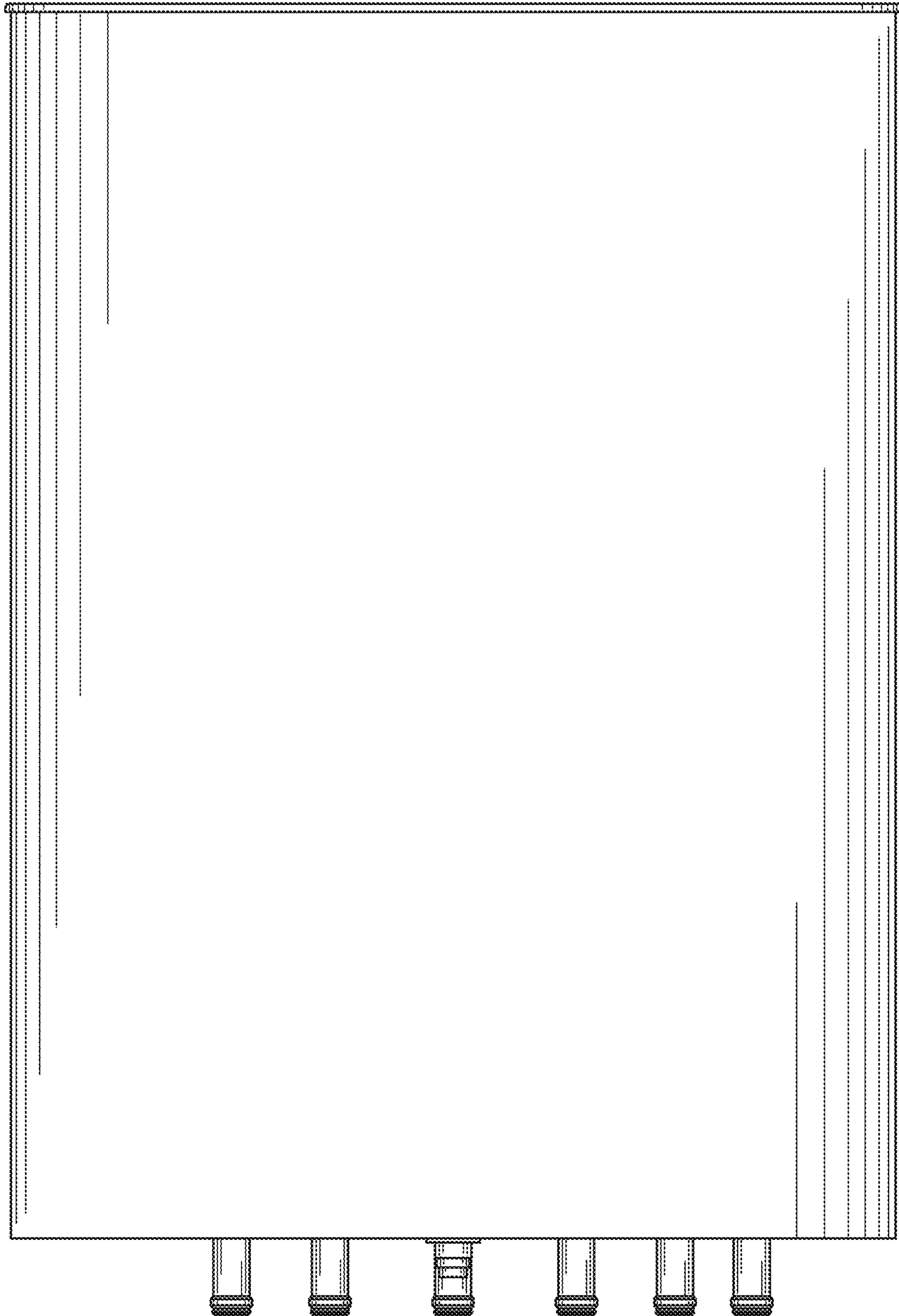


FIG.2

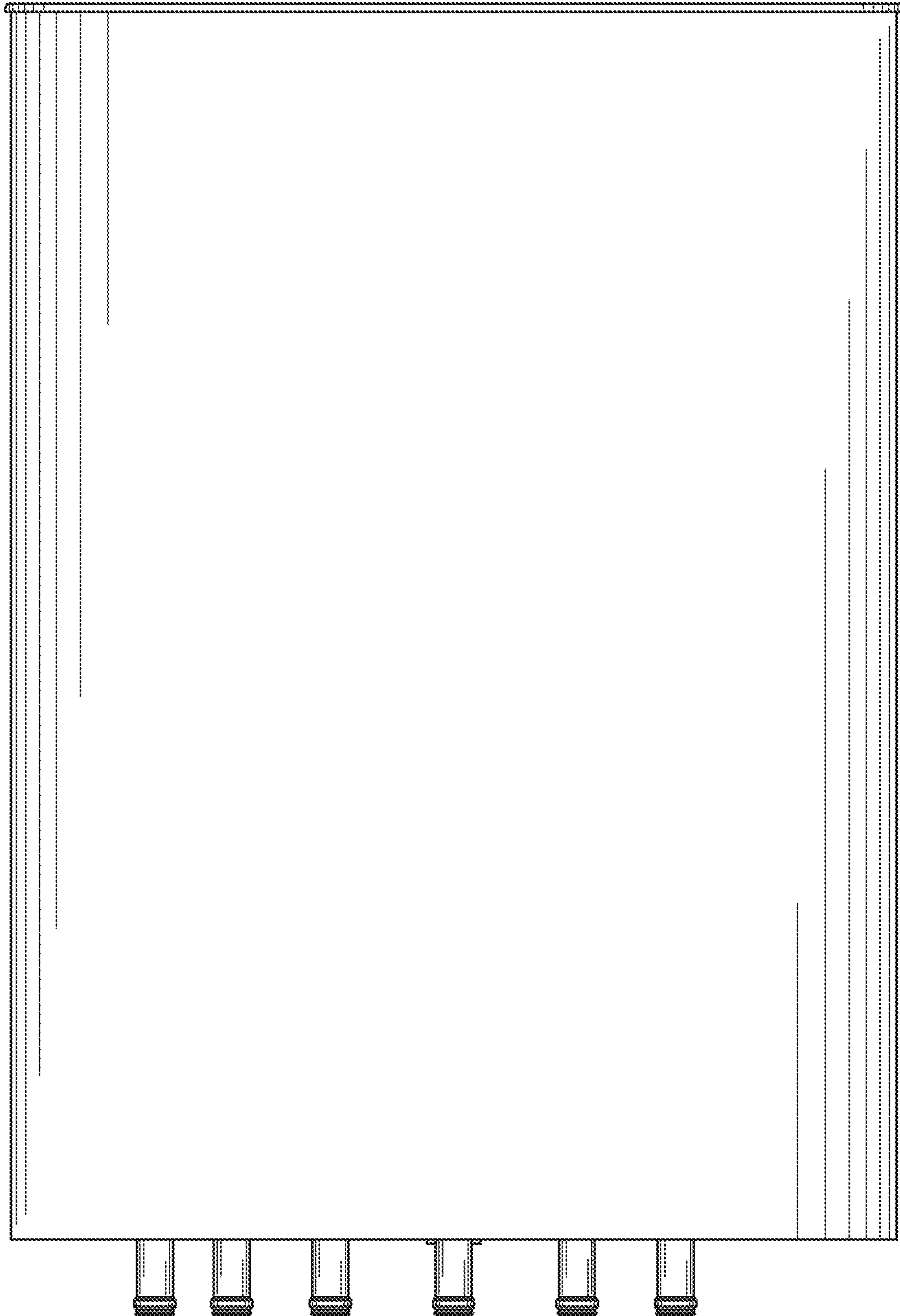


FIG.3

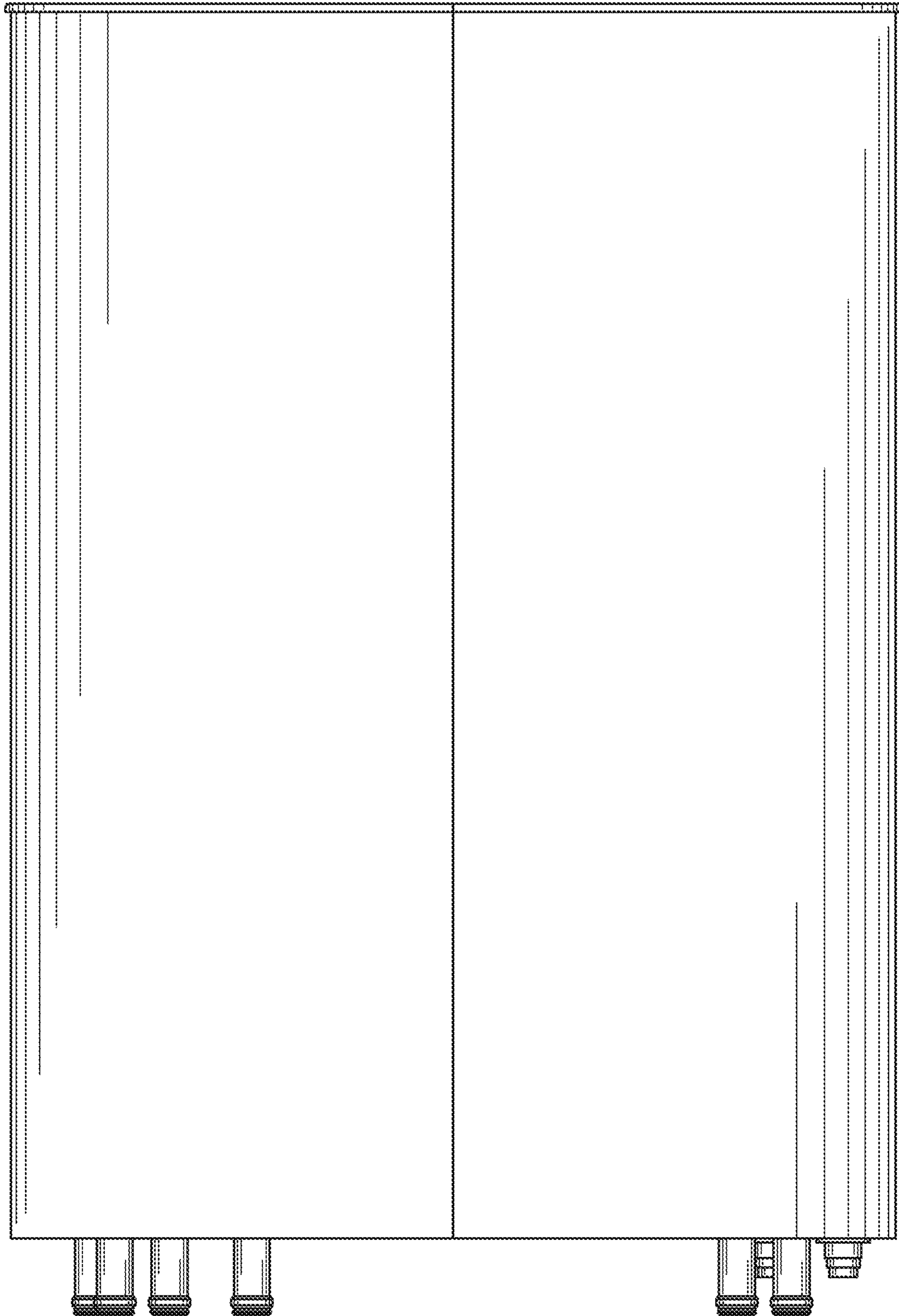




FIG.4

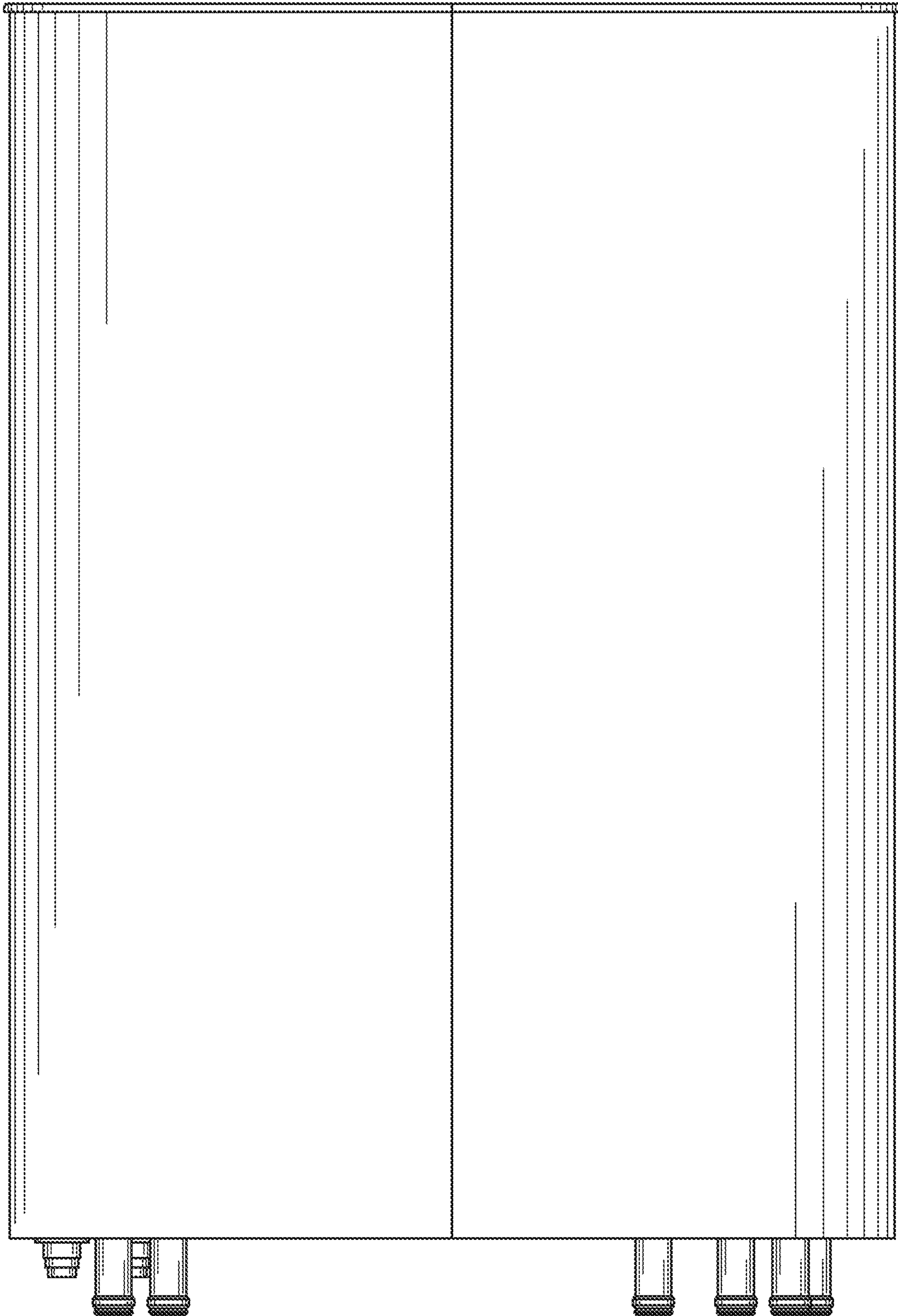


FIG.5

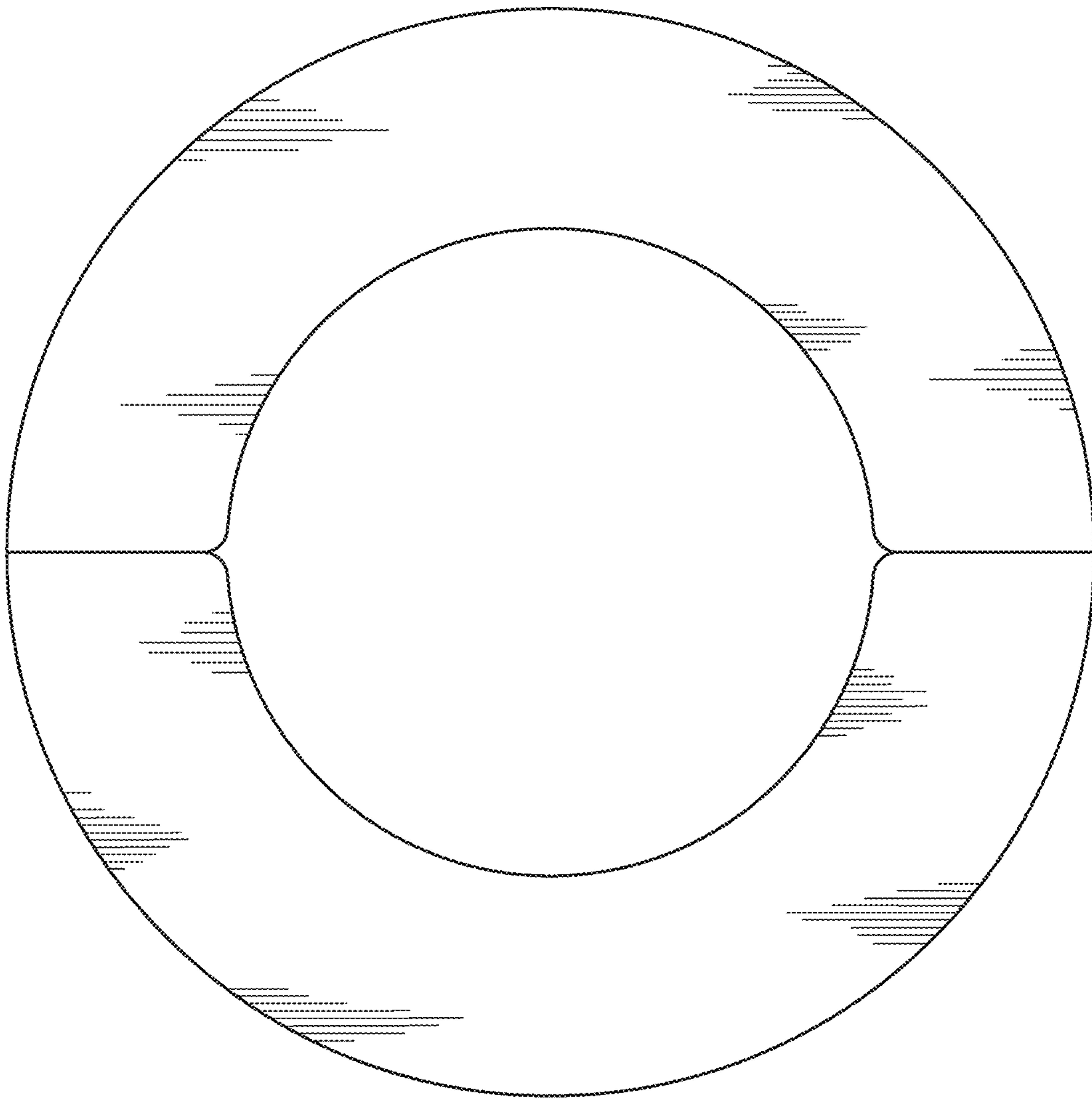


FIG.6

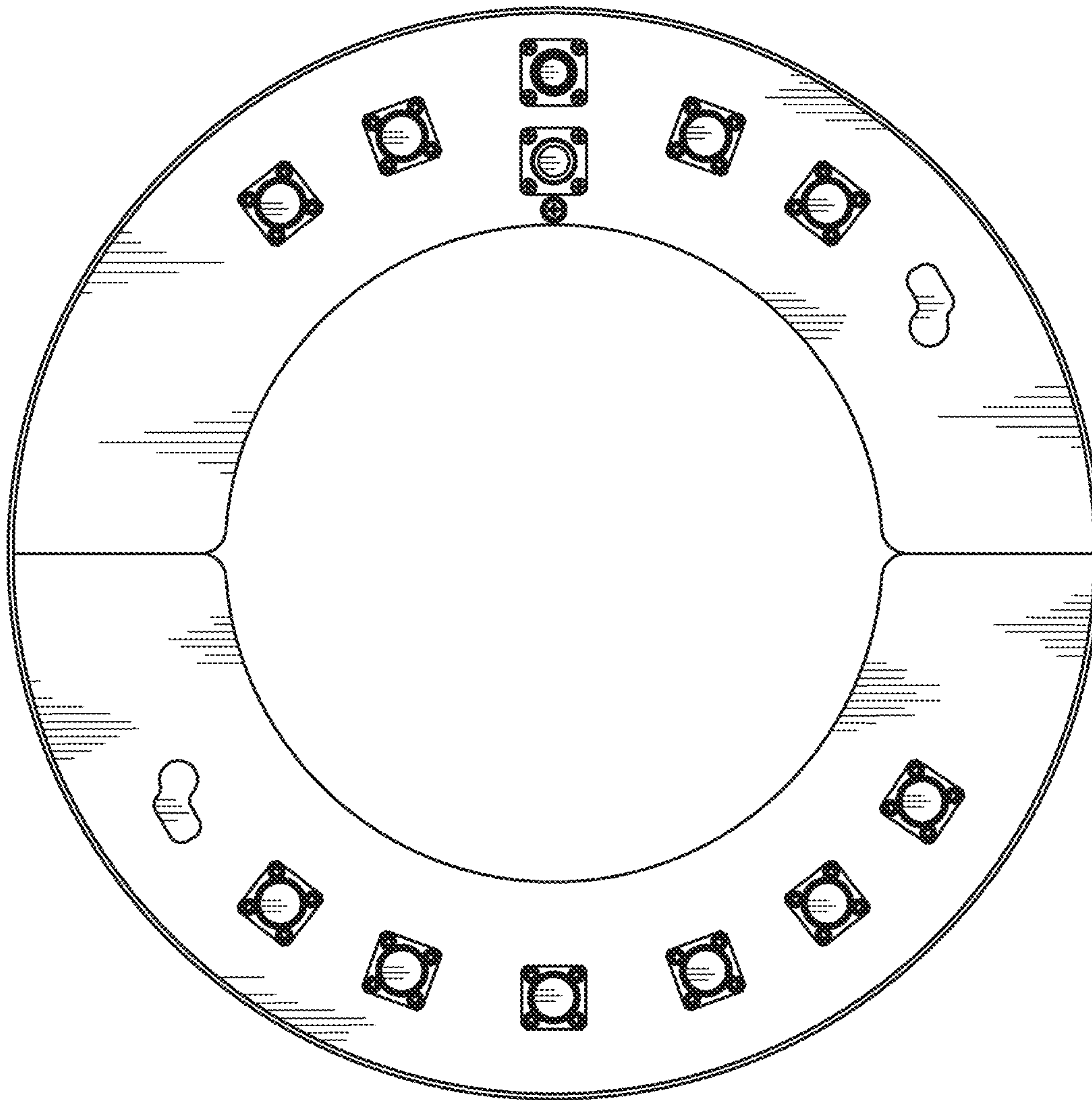




FIG.7

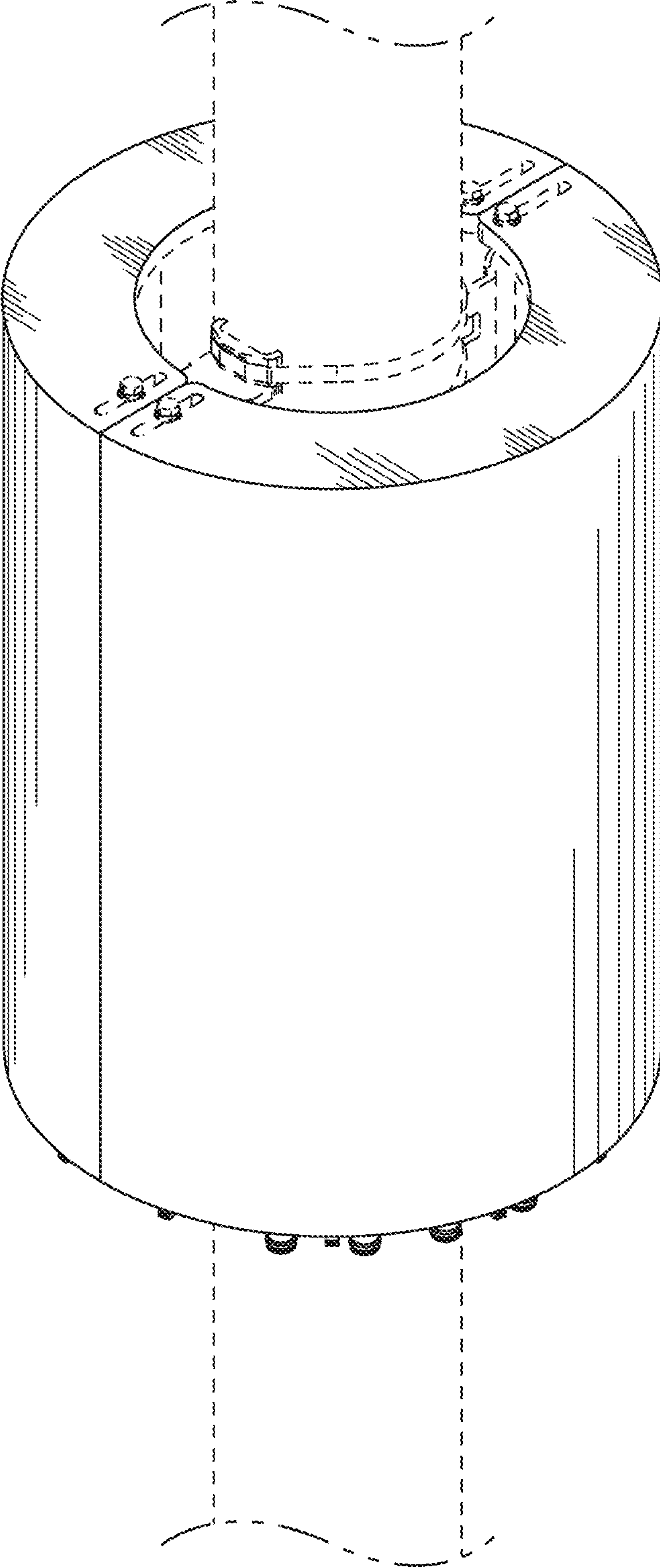


FIG.8

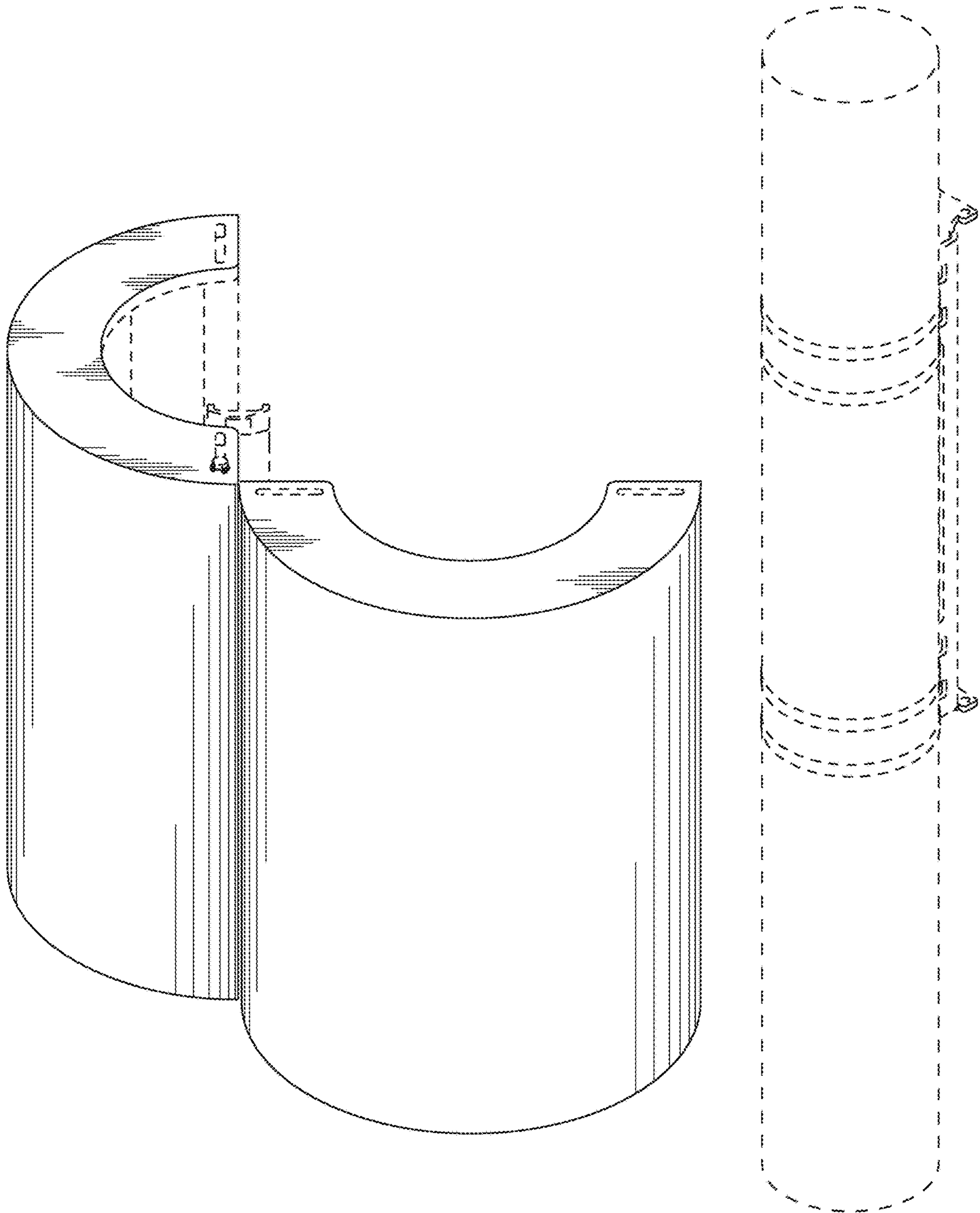


FIG. 9

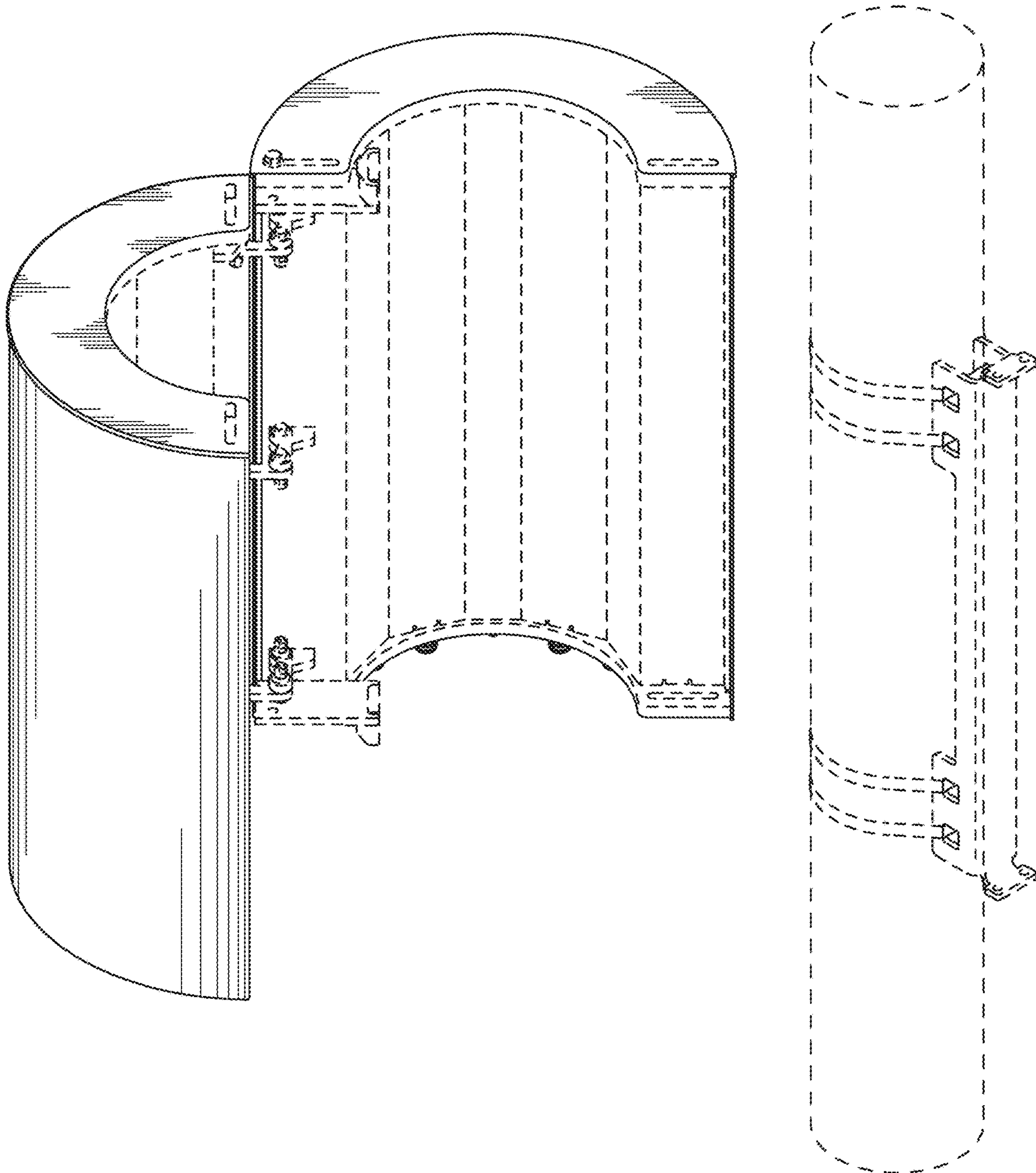


FIG. 10

