



US00D940351S

(12) **United States Design Patent**
Bilge

(10) **Patent No.:** **US D940,351 S**

(45) **Date of Patent:** **** Jan. 4, 2022**

(54) **UNIVERSAL Z-J CHANNEL FOR MOUNTING WALL PANELS TO AN EXISTING WALL**

(71) Applicant: **Henry H. Bilge**, Fort Lee, NJ (US)

(72) Inventor: **Henry H. Bilge**, Fort Lee, NJ (US)

(**) Term: **15 Years**

(21) Appl. No.: **29/733,618**

(22) Filed: **May 5, 2020**

(51) **LOC (13) Cl.** **25-01**

(52) **U.S. Cl.**
USPC **D25/119**

(58) **Field of Classification Search**
USPC D25/119-125; D23/267, 259, 261-262, D23/393; 52/287.1, 312, 478, 542, 656.9, 52/716.8, 718.01, 211
CPC E04H 4/141; E04H 4/14; E04F 19/049
See application file for complete search history.

(56) **References Cited**

U.S. PATENT DOCUMENTS

D342,579 S * 12/1993 Mason D25/119
6,253,507 B1 * 7/2001 Martino E06B 1/06
52/211

D518,186 S * 3/2006 Zarb D25/119
7,082,725 B2 * 8/2006 Visser E06B 1/70
52/211
D649,266 S * 11/2011 Knight D25/126
D769,459 S * 10/2016 Mumford, Sr. D25/119
D769,461 S * 10/2016 Mumford, Sr. D25/119
D791,351 S * 7/2017 Singh D25/119

* cited by examiner

Primary Examiner — Gino Colan

(74) *Attorney, Agent, or Firm* — Kaplan Law Practice, LLC; Joshua Kaplan, Esq.

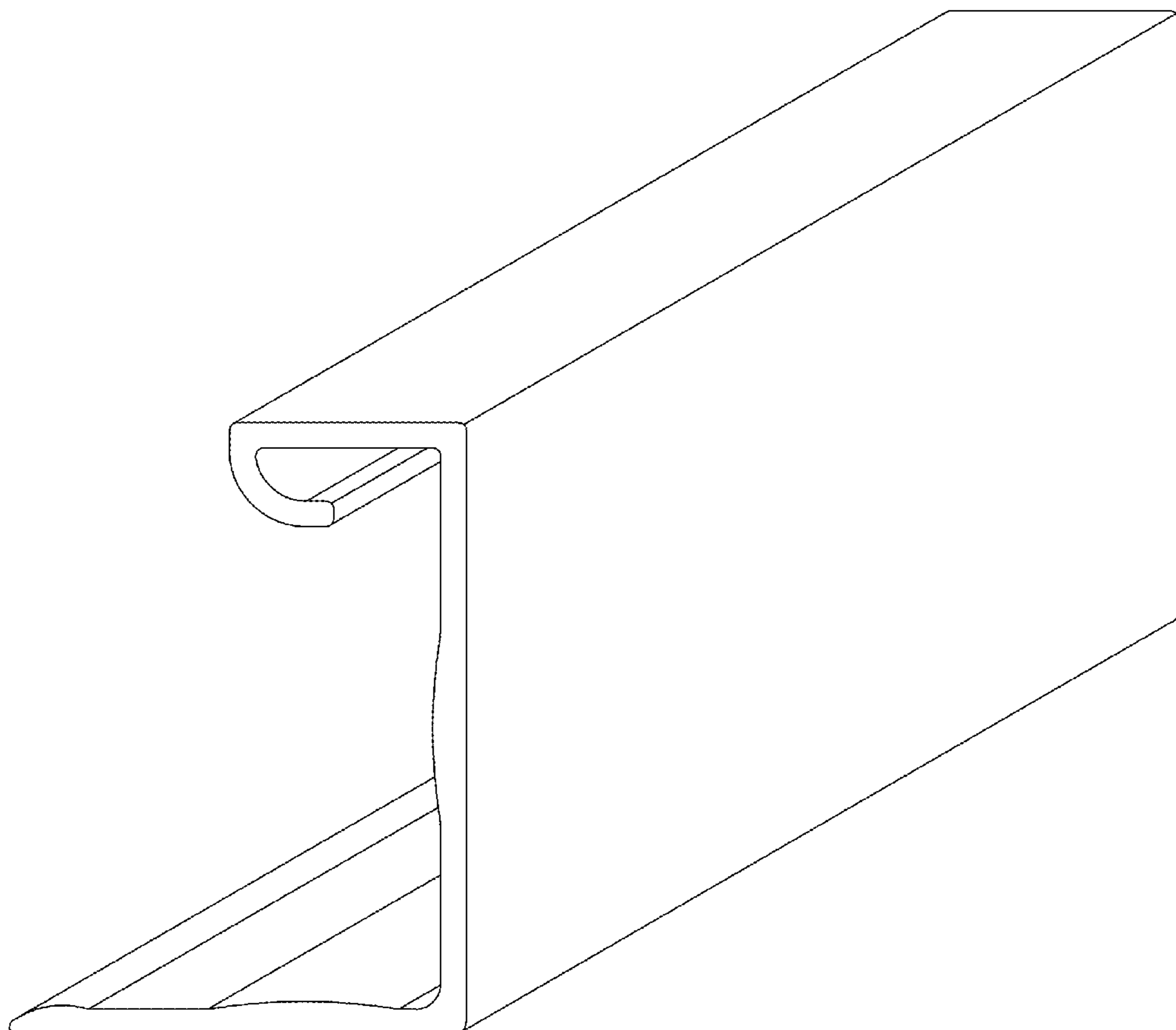
(57) **CLAIM**

The ornamental design for a universal Z-J channel for mounting wall panels to an existing wall, as shown and described.

DESCRIPTION

FIG. 1 is a rear perspective view of the universal Z-J channel for mounting wall panels to an existing wall;
FIG. 2 is a front perspective view thereof;
FIG. 3 is a right side elevational view thereof, with the left side elevational view being a mirror image thereof;
FIG. 4 is a rear elevational view thereof;
FIG. 5 is a front elevational view thereof;
FIG. 6 is a top plan view thereof; and,
FIG. 7 is a bottom plan view thereof.

1 Claim, 7 Drawing Sheets



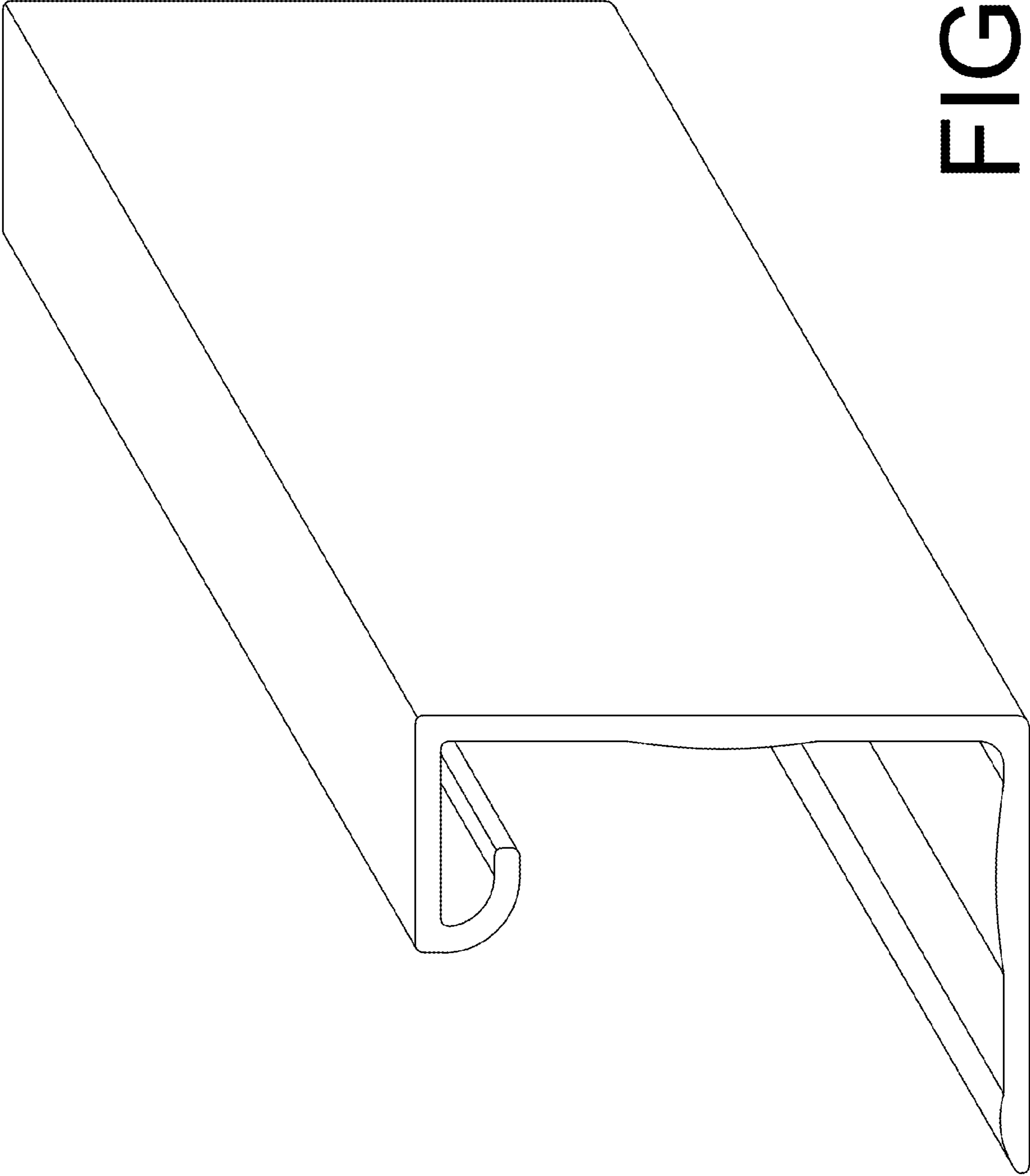


FIG. 1

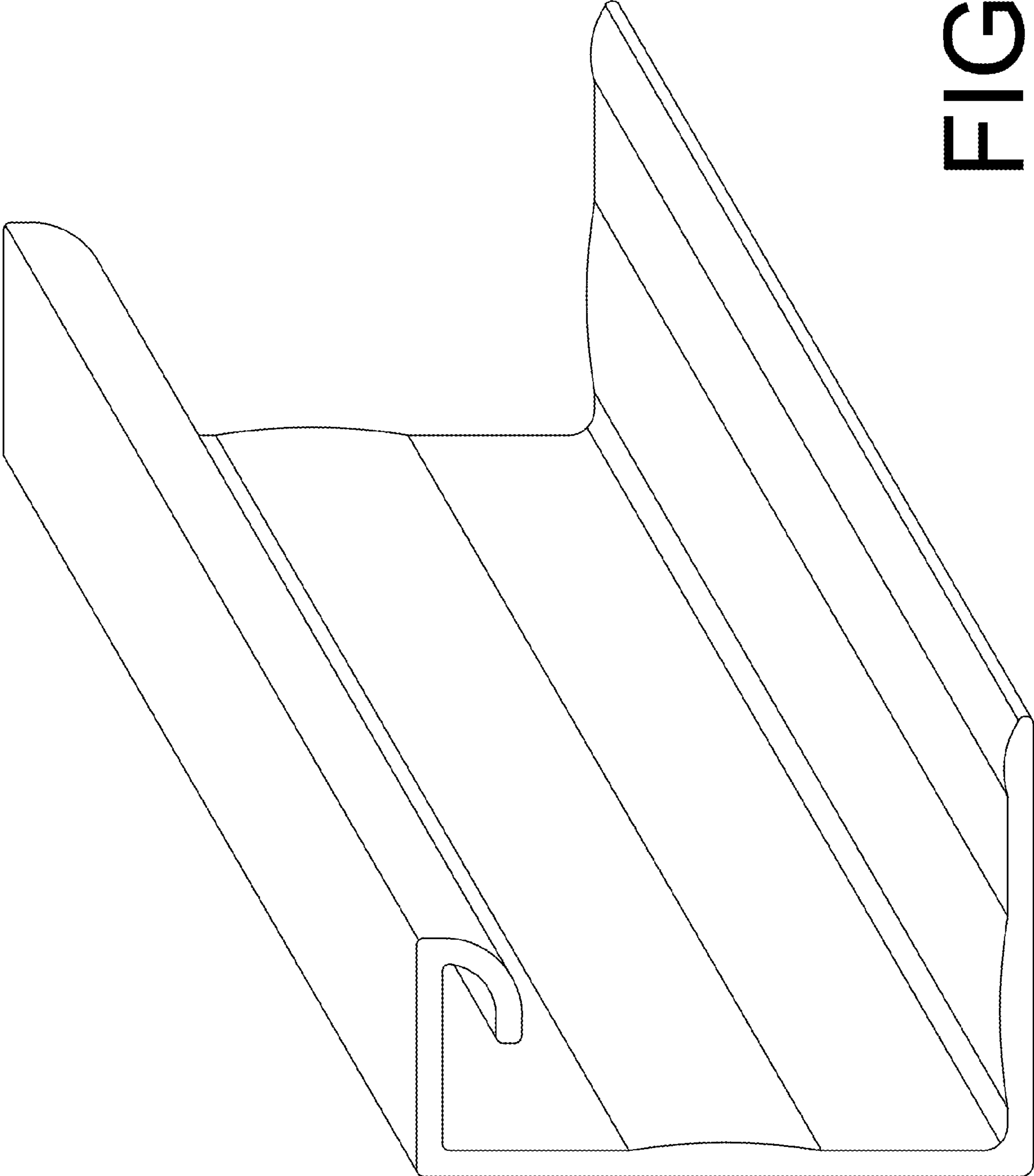


FIG. 2

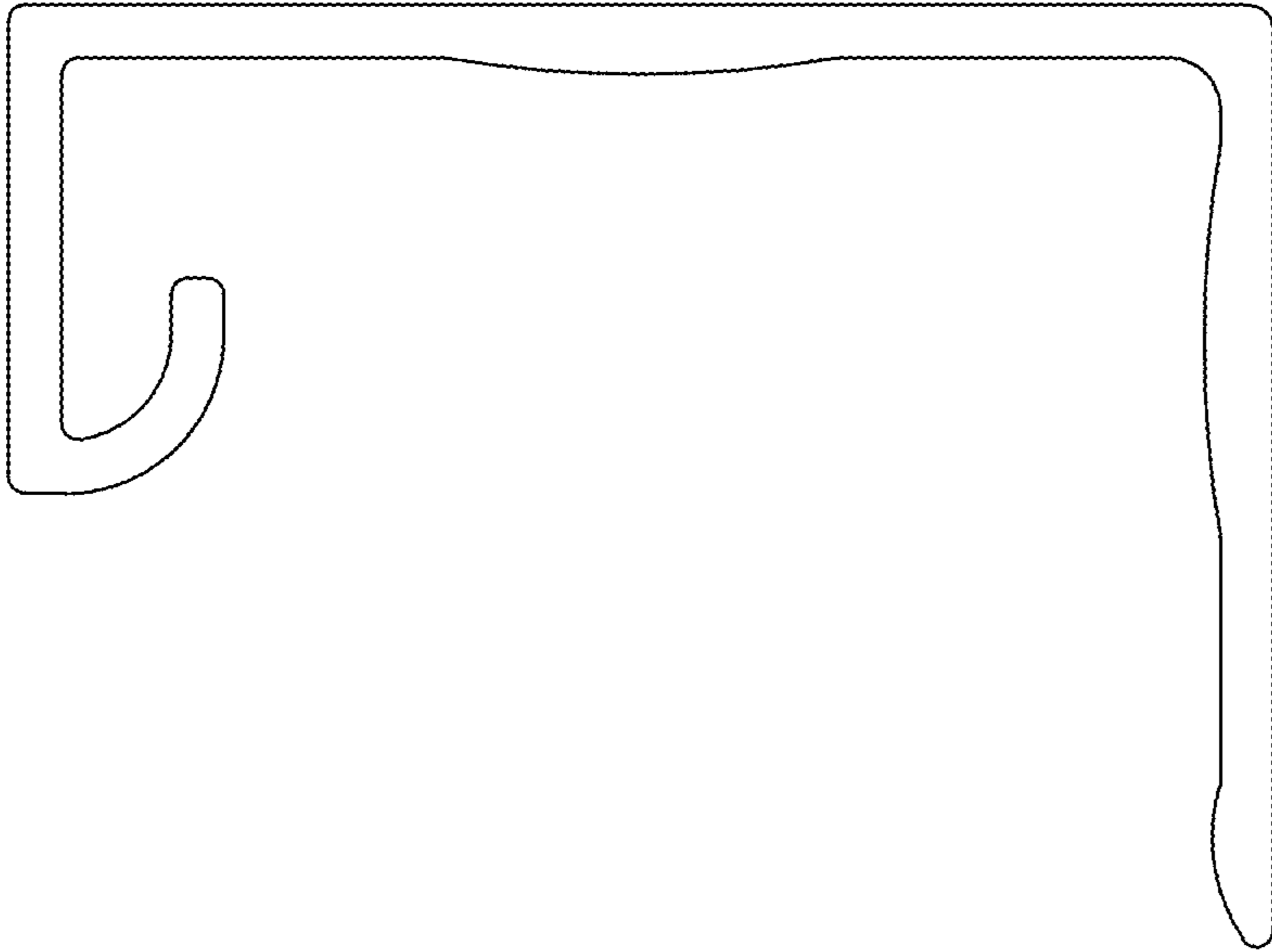


FIG. 3

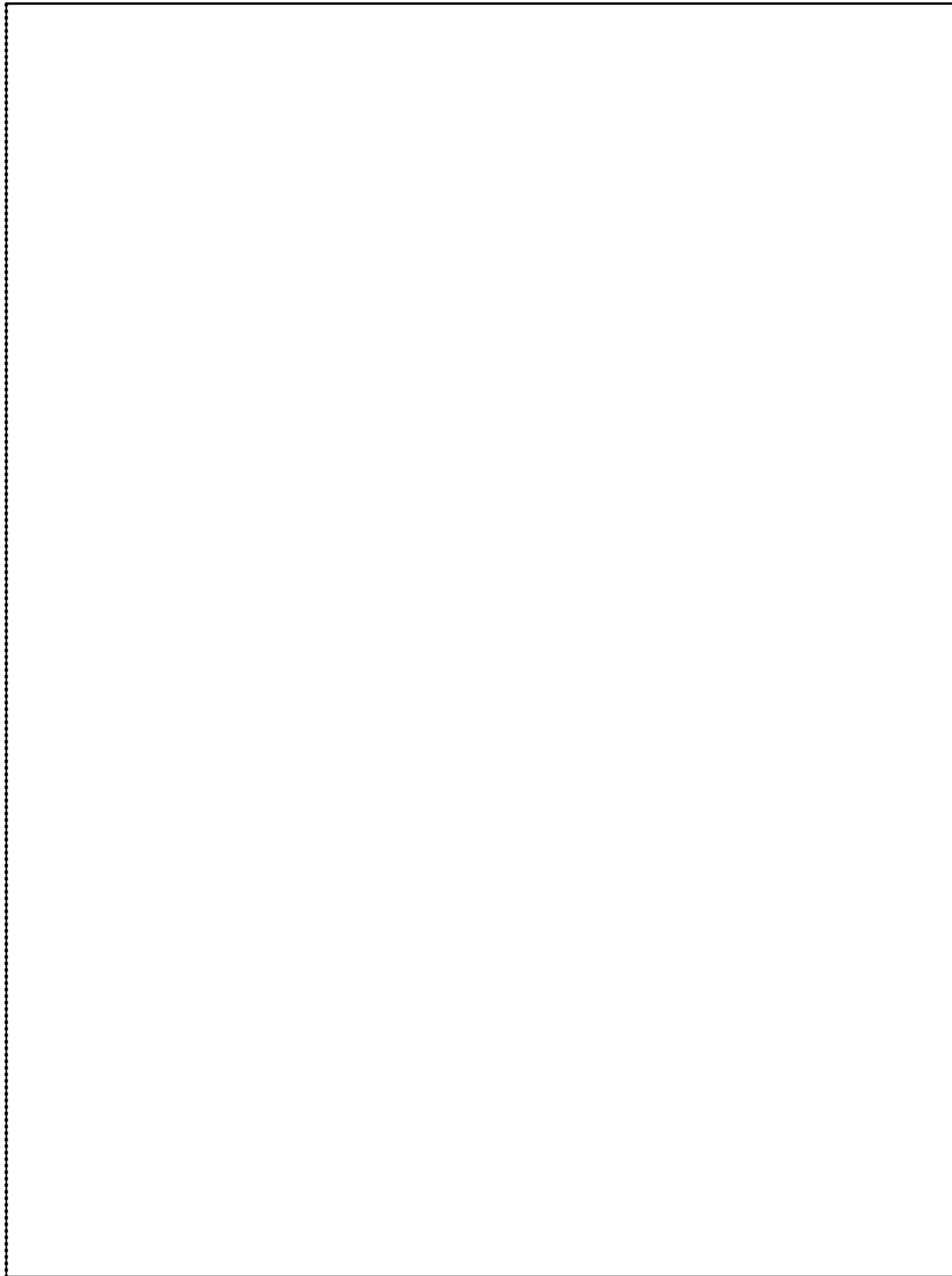


FIG. 4

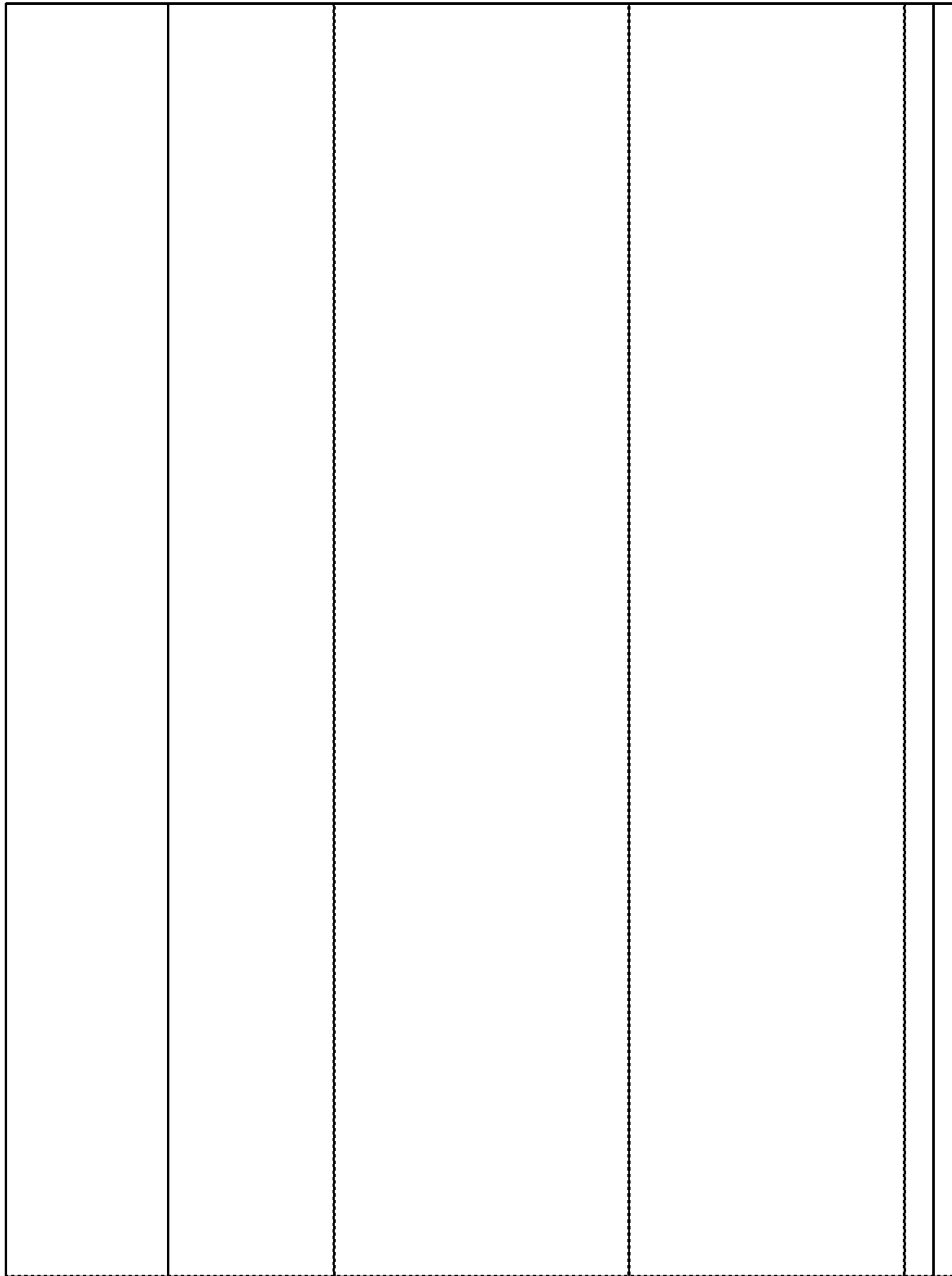


FIG. 5

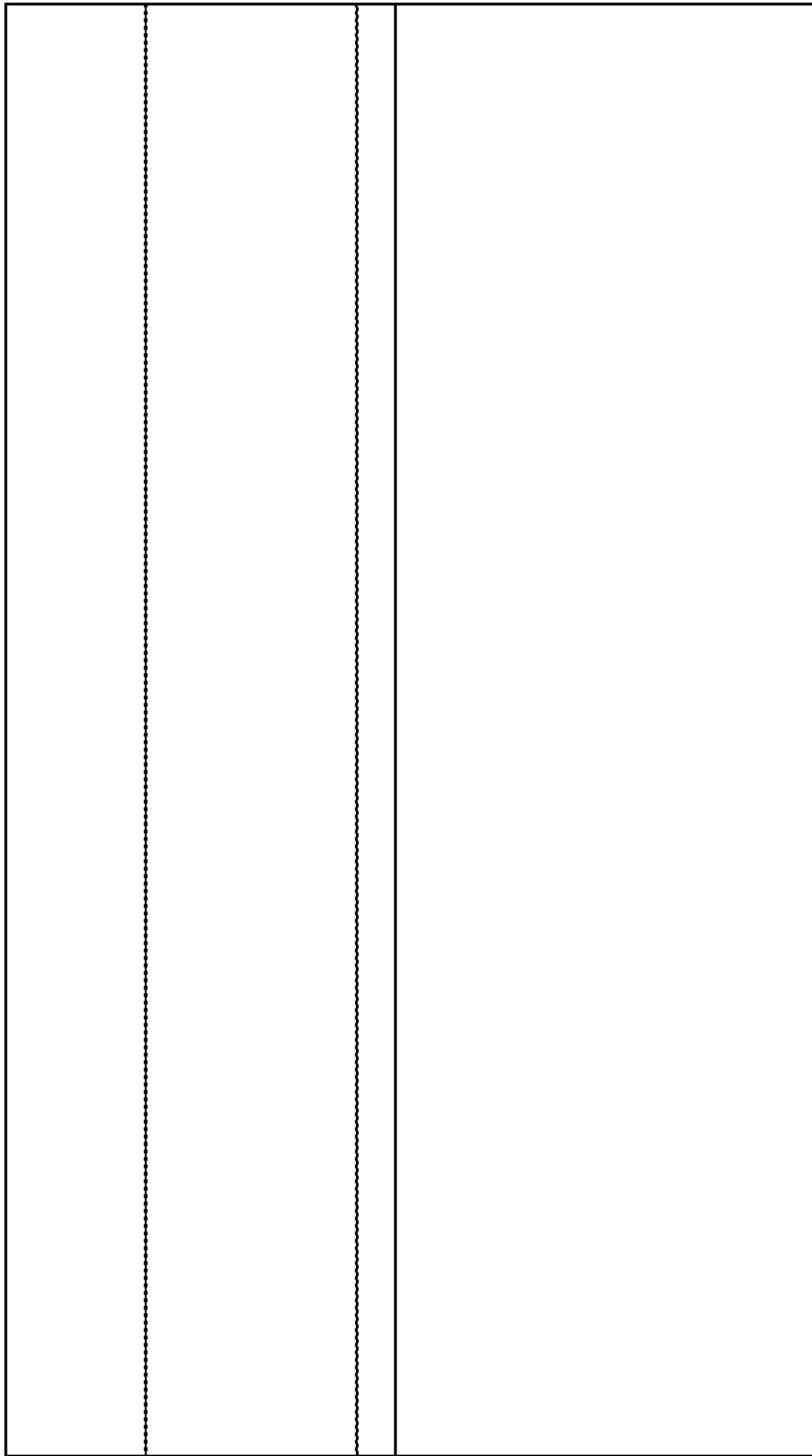


FIG. 6

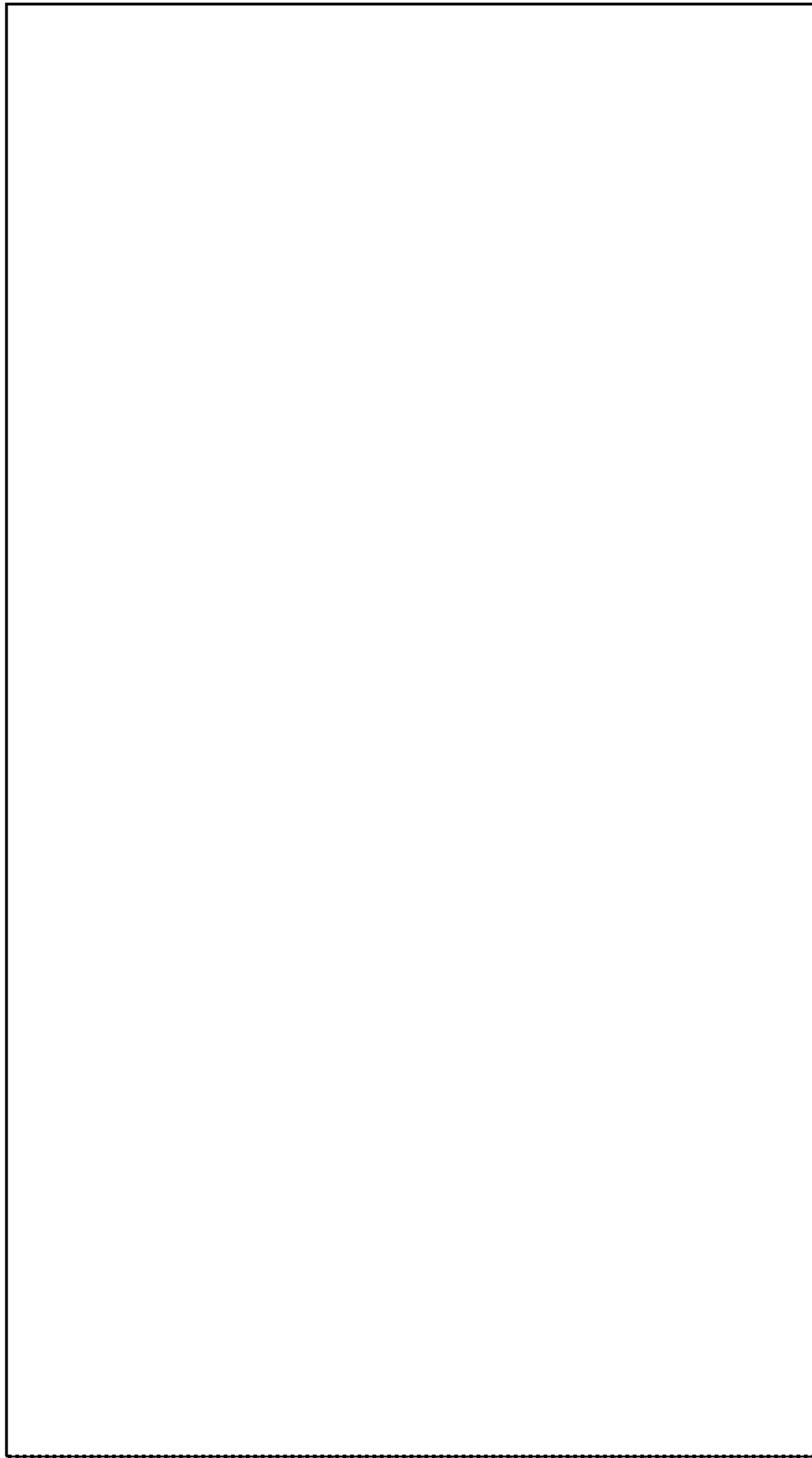


FIG. 7