



US00D940350S

(12) **United States Design Patent** (10) **Patent No.:** **US D940,350 S**
Baltz, Jr. et al. (45) **Date of Patent:** **** Jan. 4, 2022**

(54) **VENTED FINISH BEAD**
(71) Applicant: **Alabama Metal Industries Corporation**, Birmingham, AL (US)
(72) Inventors: **Gary George Baltz, Jr.**, Mountain Brook, AL (US); **Frederic C. Mayer, Jr.**, Hoover, AL (US)
(73) Assignee: **ALABAMA METAL INDUSTRIES CORPORATION**, Birmingham, AL (US)
(**) Term: **15 Years**

D459,007 S * 6/2002 Campacci D25/119
D471,991 S * 3/2003 Maylon D25/119
D477,420 S * 7/2003 Butcher D25/119
7,634,883 B1 * 12/2009 Larson E04F 13/06
52/393
8,584,416 B2 * 11/2013 Chenier E04F 13/06
52/393
D700,717 S * 3/2014 Campacci D25/119
D703,306 S * 4/2014 Little D25/136
D703,307 S * 4/2014 Little D25/136
D761,971 S * 7/2016 Apanovich D25/119
D762,310 S * 7/2016 Apanovich D25/119
D787,091 S * 5/2017 Singh D25/119
D800,344 S * 10/2017 Apanovich D25/119
D800,921 S * 10/2017 Apanovich D25/119

(Continued)

(21) Appl. No.: **29/699,048**
(22) Filed: **Jul. 23, 2019**

Primary Examiner — Llorellys Martinez
(74) *Attorney, Agent, or Firm* — Honigman LLP

Related U.S. Application Data

(63) Continuation of application No. 16/509,181, filed on Jul. 11, 2019, now Pat. No. 10,731,335.
(51) **LOC (13) Cl.** **25-01**
(52) **U.S. Cl.**
USPC **D25/102; D25/136**
(58) **Field of Classification Search**
USPC D25/102, 119–123, 136, 137, 164, 199, D25/55; D23/259, 267, 268; D15/28, 32
CPC E04F 19/02; E04F 19/04; E04F 2019/044; E04F 2019/0445; E04F 13/00; E04F 13/007; E04B 1/70; E04B 1/7038; E04B 1/7069; E04B 1/7076; E04D 13/00; E04D 13/0445; E04D 13/0459; E04D 13/0481
See application file for complete search history.

(57) **CLAIM**

The ornamental design for the vented finish bead, as shown and described.

DESCRIPTION

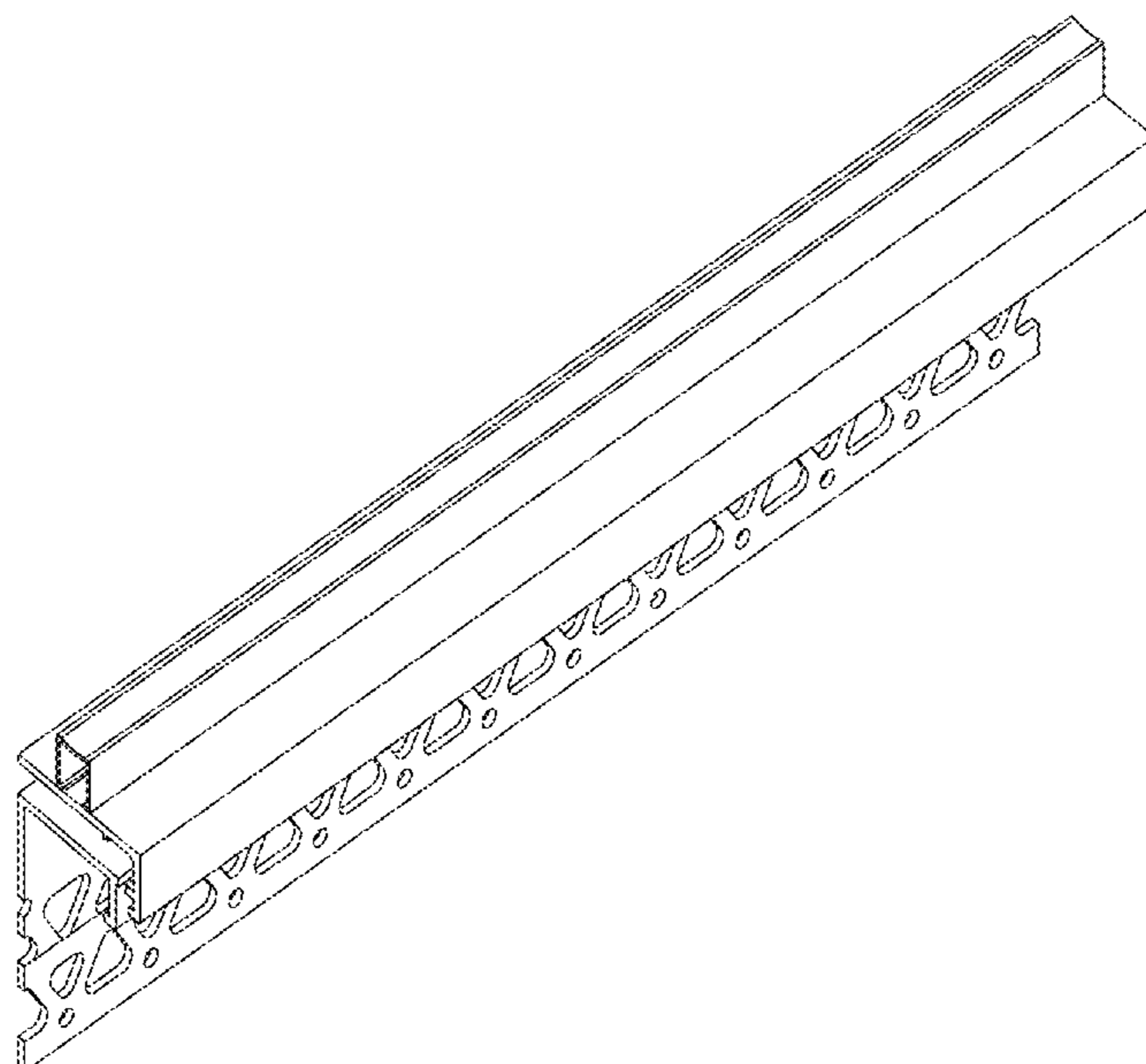
FIG. 1 is a top, front perspective view of a vented finish bead showing our new design;
FIG. 2 is a front view of the vented finish bead;
FIG. 3 is a back view of the vented finish bead;
FIG. 4 is an enlarged left side view of the vented finish bead;
FIG. 5 is an enlarged right side view of the vented finish bead;
FIG. 6 is a top plan view of the vented finish bead;
FIG. 7 is a bottom side view of the vented finish bead; and,
FIG. 8 is a bottom, front perspective view of the vented finish bead.
The broken lines in the drawings illustrate portions of the vented finish bead that form no part of the claimed design.

(56) **References Cited**

U.S. PATENT DOCUMENTS

D151,022 S * 9/1948 Weber et al. D25/164
5,579,617 A * 12/1996 Schiedegger E04F 19/02
52/287.1

1 Claim, 5 Drawing Sheets



(56)

References Cited

U.S. PATENT DOCUMENTS

D815,757	S *	4/2018	Braun	E04F 19/064 D25/119
D842,496	S *	3/2019	Apanovich	D25/119
10,655,336	B2 *	5/2020	Friel	E04F 19/02
10,947,722	B2 *	3/2021	Baltz, Jr.	E04F 19/02
D923,821	S *	6/2021	Baltz, Jr.	D25/102
2005/0115189	A1 *	6/2005	Leffler	E04F 13/00 52/716.1
2008/0104918	A1 *	5/2008	Gleeson	E04F 19/02 52/489.1
2008/0148672	A1 *	6/2008	Monteer	E04F 13/007 52/533
2008/0263971	A1 *	10/2008	Maziarz	E06B 1/04 52/204.1
2009/0183453	A1 *	7/2009	Koessler	E04F 13/007 52/302.3
2013/0104481	A1 *	5/2013	Urban, Jr.	E04F 19/063 52/417
2017/0254091	A1 *	9/2017	Friel	E04F 19/02
2019/0161960	A1 *	5/2019	Baltz, Jr.	E04F 13/007
2019/0194954	A1 *	6/2019	Baltz, Jr.	E04F 19/04
2019/0292791	A1 *	9/2019	Friel	E04F 19/02
2020/0063432	A1 *	2/2020	Baltz, Jr.	E04B 1/7076
2020/0063446	A1 *	2/2020	Baltz, Jr.	E04B 1/7076

* cited by examiner

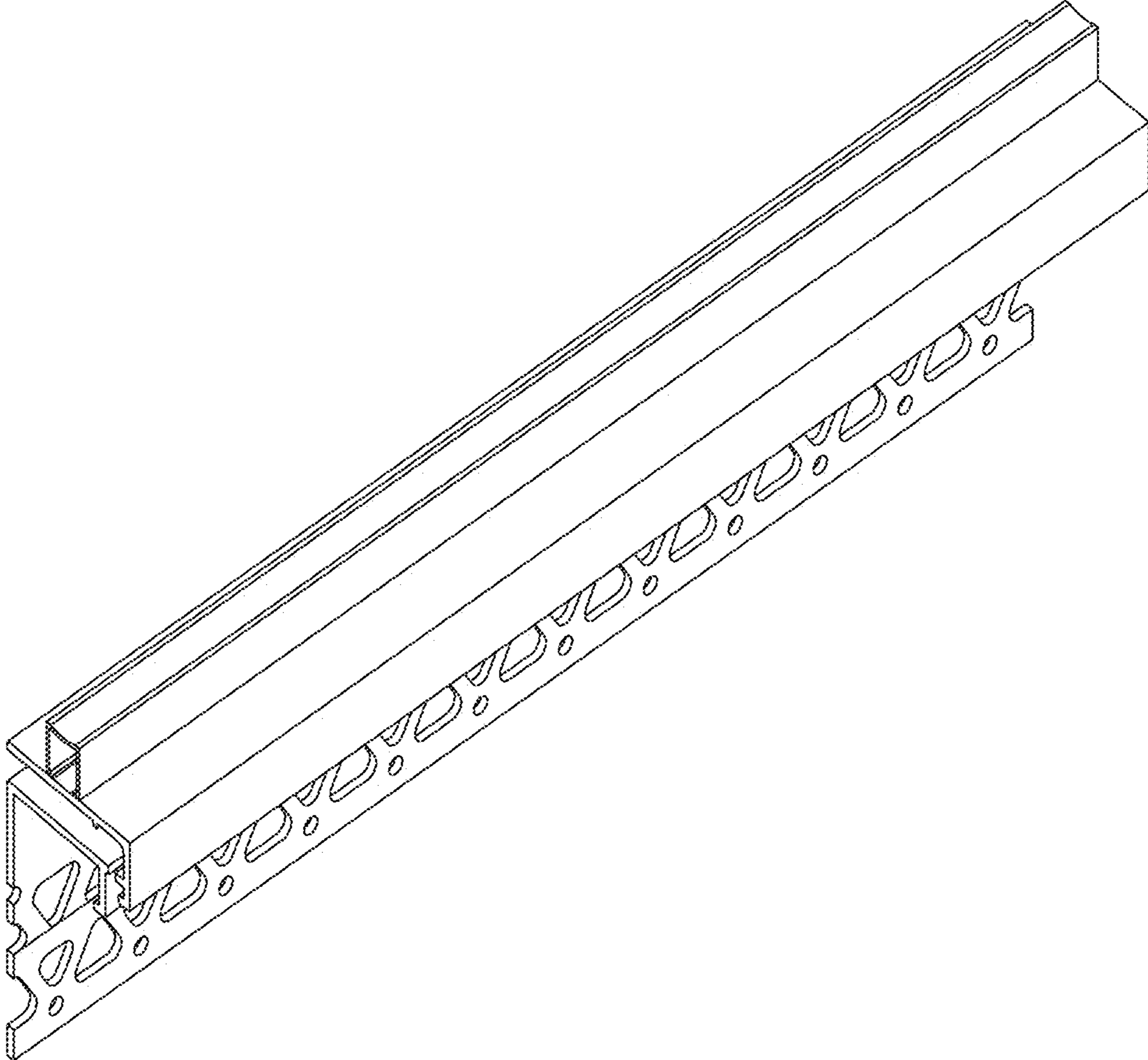


Fig. 1

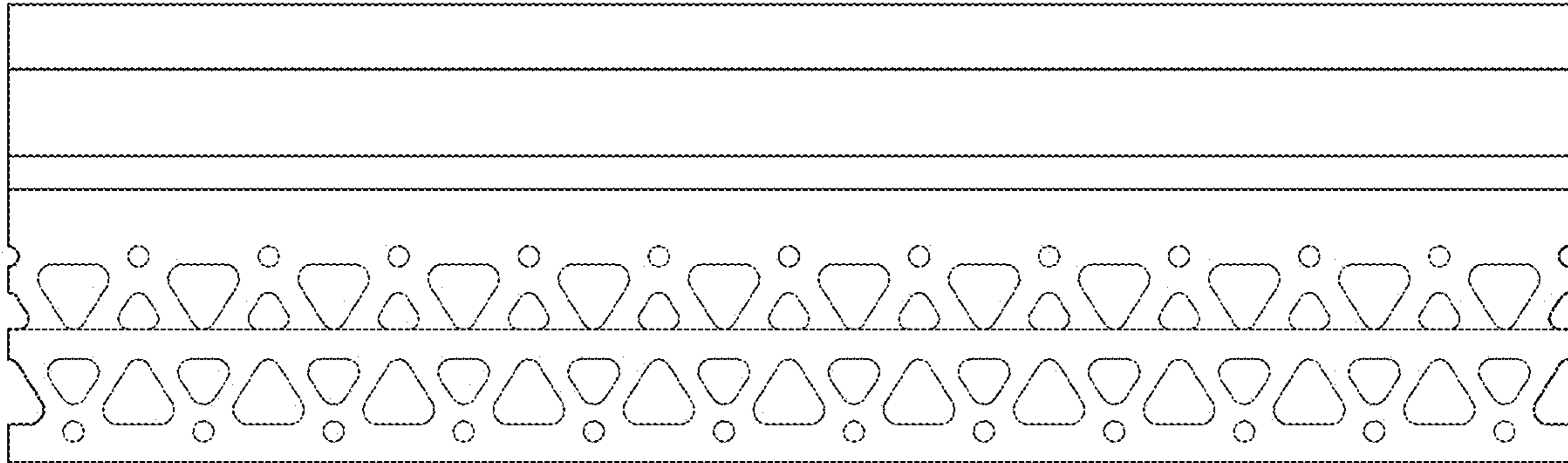


Fig. 2

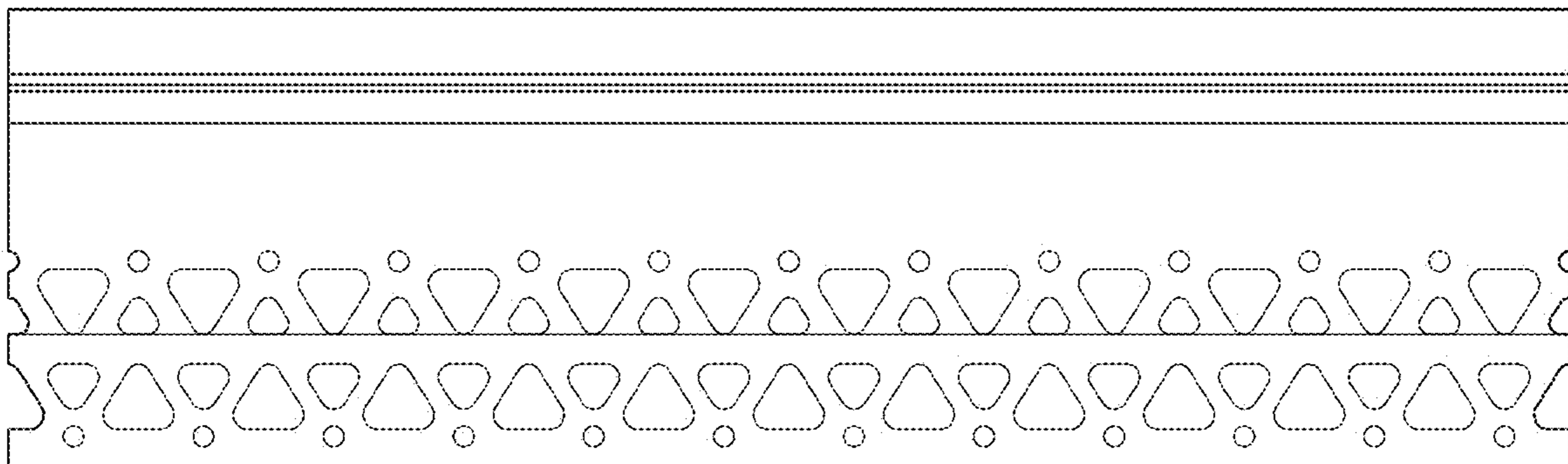


Fig. 3

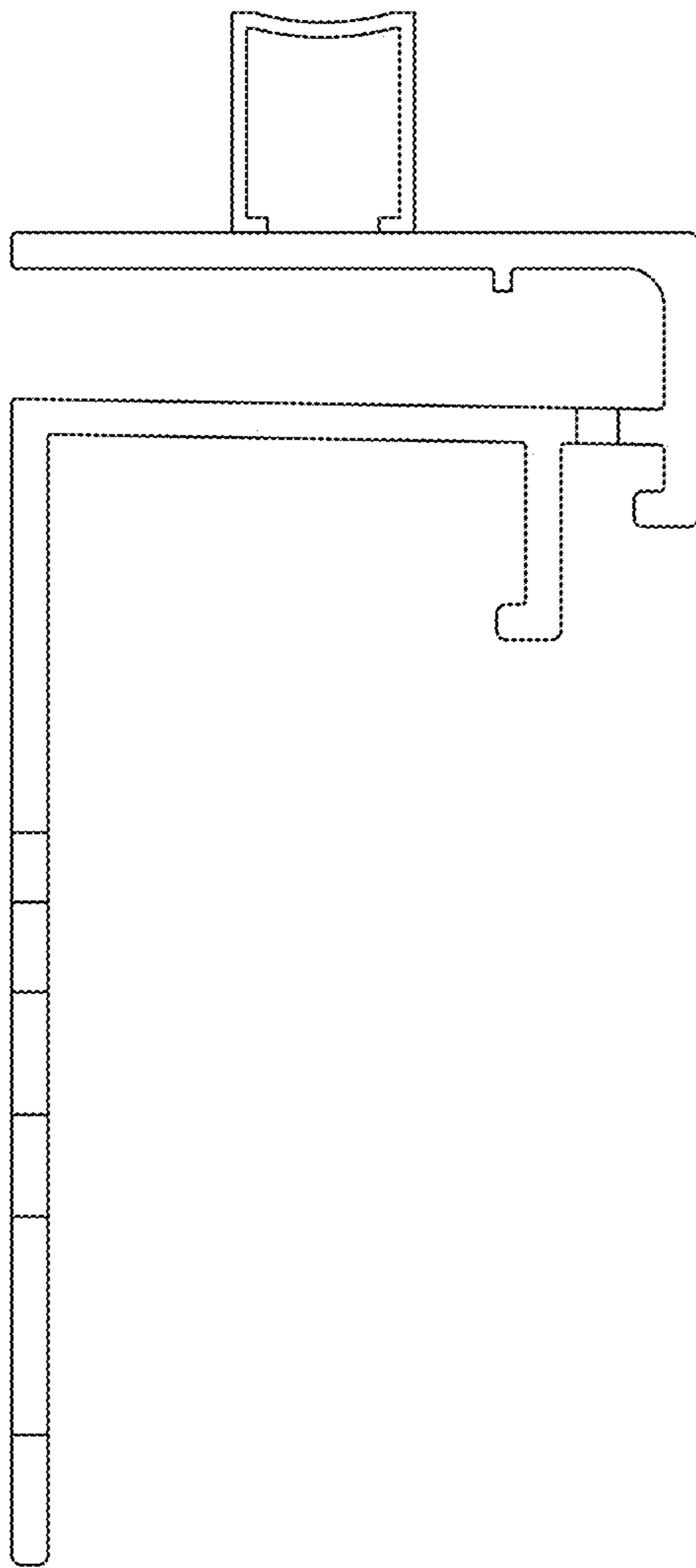


Fig. 4

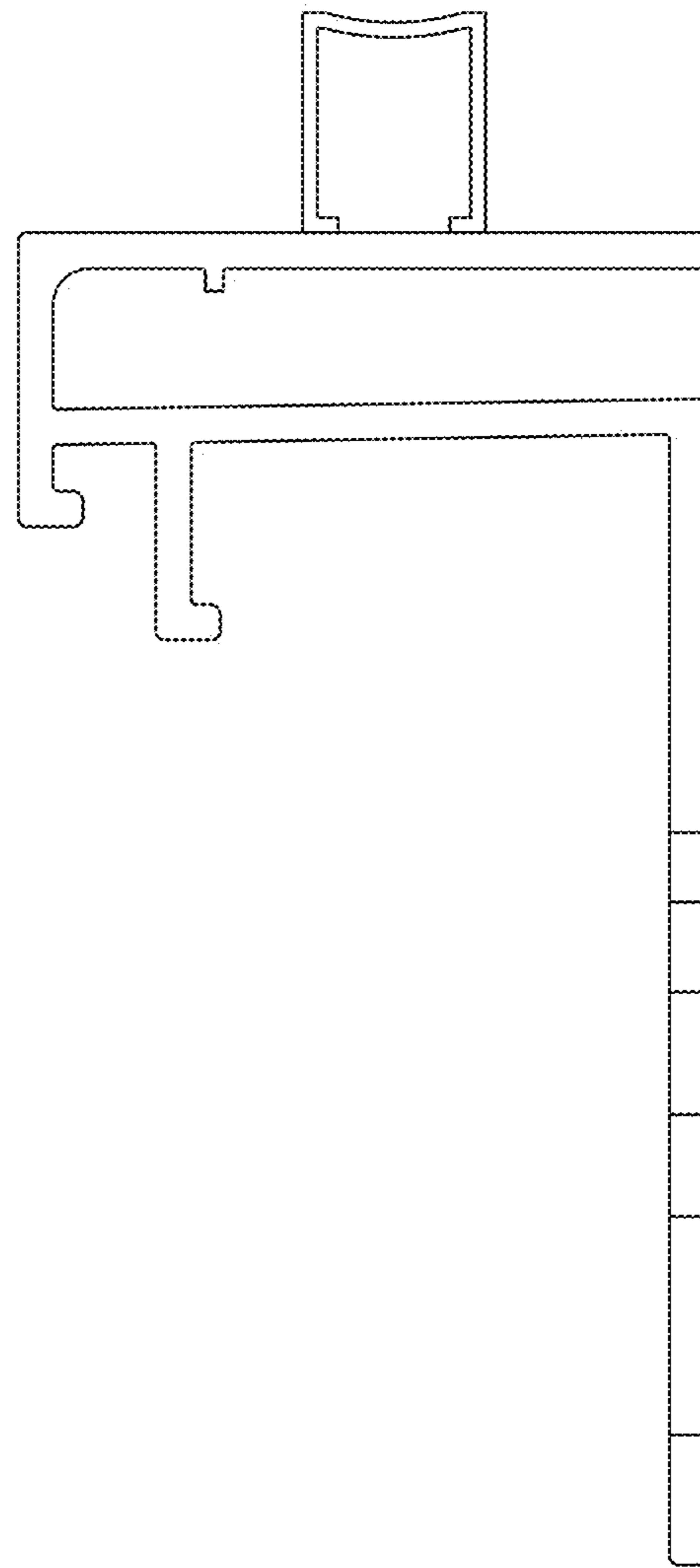


Fig. 5

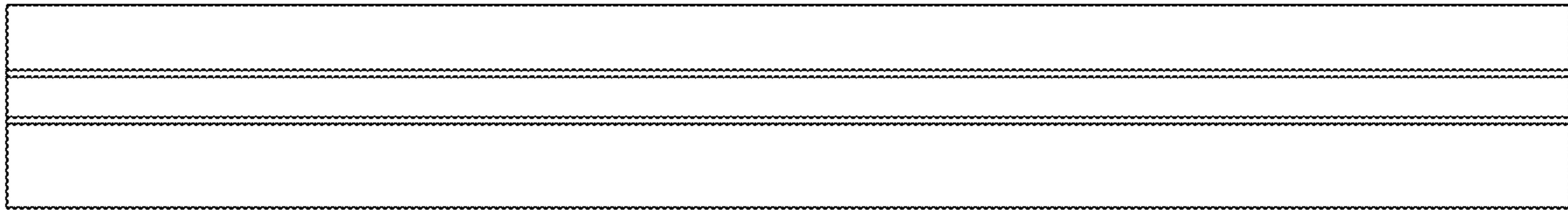


Fig. 6

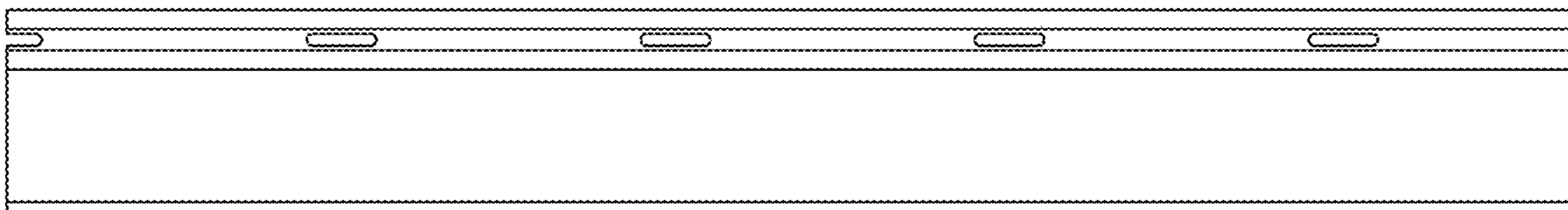


Fig. 7

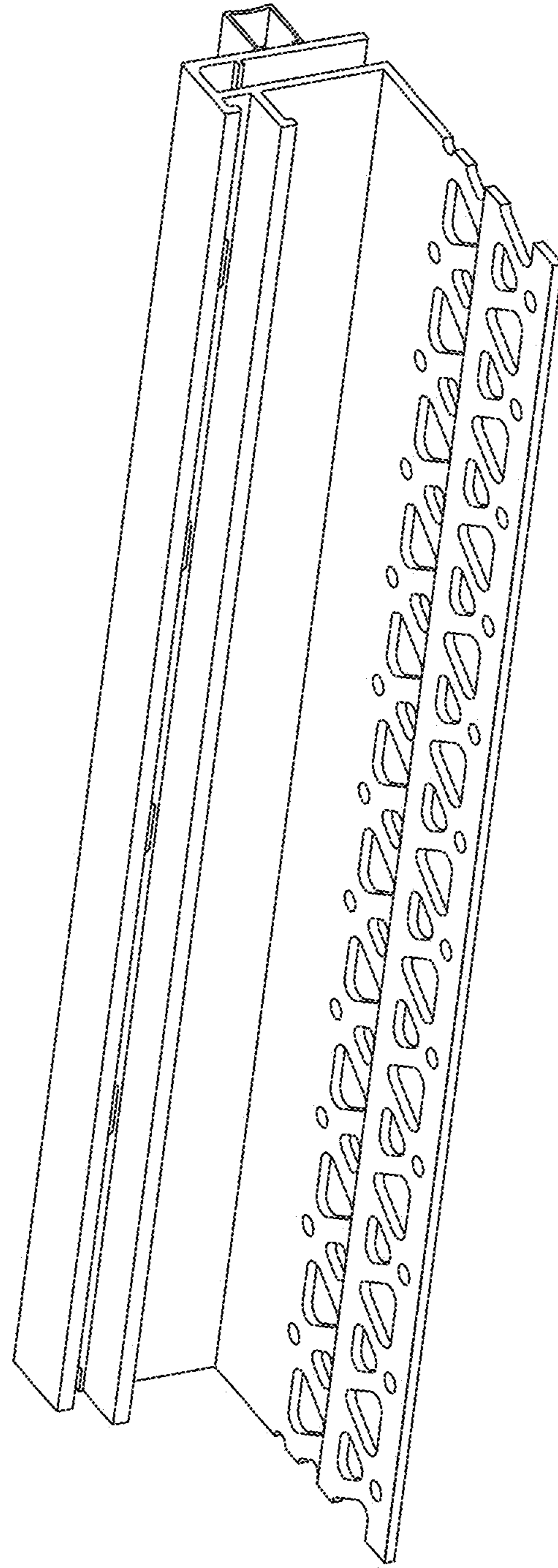


Fig. 8