



US00D940345S

(12) **United States Design Patent**
Cheng

(10) **Patent No.:** **US D940,345 S**
(45) **Date of Patent:** **** Jan. 4, 2022**

(54) **MESSAGE GUN**
(71) Applicant: **Guomei Cheng**, Jiangsu (CN)
(72) Inventor: **Guomei Cheng**, Jiangsu (CN)
(73) Assignee: **Nanjing Yunkai Machinery Co., Ltd.**,
Nanjing (CN)

D487,219 S * 3/2004 Chudy D8/68
D544,102 S * 6/2007 Pivaroff D24/215
D589,650 S * 3/2009 Adriaenssen D24/133
D606,247 S * 12/2009 Yu D28/13
9,414,662 B2 * 8/2016 Moloney A45D 20/50
D843,656 S * 3/2019 Zhang D28/44.1
D855,822 S * 8/2019 Marton D24/215
D863,571 S * 10/2019 Yang D24/200

(**) Term: **15 Years**

(21) Appl. No.: **29/722,449**

(22) Filed: **Jan. 29, 2020**

(30) **Foreign Application Priority Data**

Dec. 18, 2019 (CN) 201930707230.5

(51) **LOC (13) Cl.** **28-03**

(52) **U.S. Cl.**
USPC **D24/215**

(58) **Field of Classification Search**
USPC D24/215, 200, 211, 212, 213, 214, 133,
D24/188, 107, 231; D8/14.1; D28/13
CPC . A61H 1/00; A61H 1/008; A61H 9/00; A61H
9/005; A61H 9/0007; A61H 9/0021;
A61H 2015/0071; A61H 15/0078; A61H
15/0085; A61H 23/00; A61H 23/006;
A61H 2023/002; A61H 23/06; A61H
23/02; A61H 2201/0153; A61H
2201/0157; A61H 7/005; A61H 7/003
See application file for complete search history.

(56) **References Cited**

U.S. PATENT DOCUMENTS

D297,397 S * 8/1988 Pagani D8/29.1
D403,220 S * 12/1998 Kimata D8/68
6,682,496 B1 * 1/2004 Pivaroff A61H 7/005
601/101

OTHER PUBLICATIONS

Maxtorc BMG-1. Date: Not Listed. [online]. [Site visited Jun. 9, 2021], Available from Internet URL: <https://www.maxtorcfitness.com/product-page/maxtorc-bmg-1> (Year: NA).*
YUNMAI Massage Gun. Date: Sep. 26, 2019. [online]. [Site visited Jun. 9, 2021], Available from Internet URL: <https://www.amazon.com/dp/B07XKFN65N> (Year: 2019).*
Fusion FX Heated Percussion Massage Gun. Date: Nov. 4, 2019. [online]. [Site visited Jun. 9, 2021], Available from Internet URL: <https://www.amazon.com/dp/B08376CTZC> (Year: 2019).*

(Continued)

Primary Examiner — Susan Bennett Hattan
Assistant Examiner — Landon Thomas Cassell

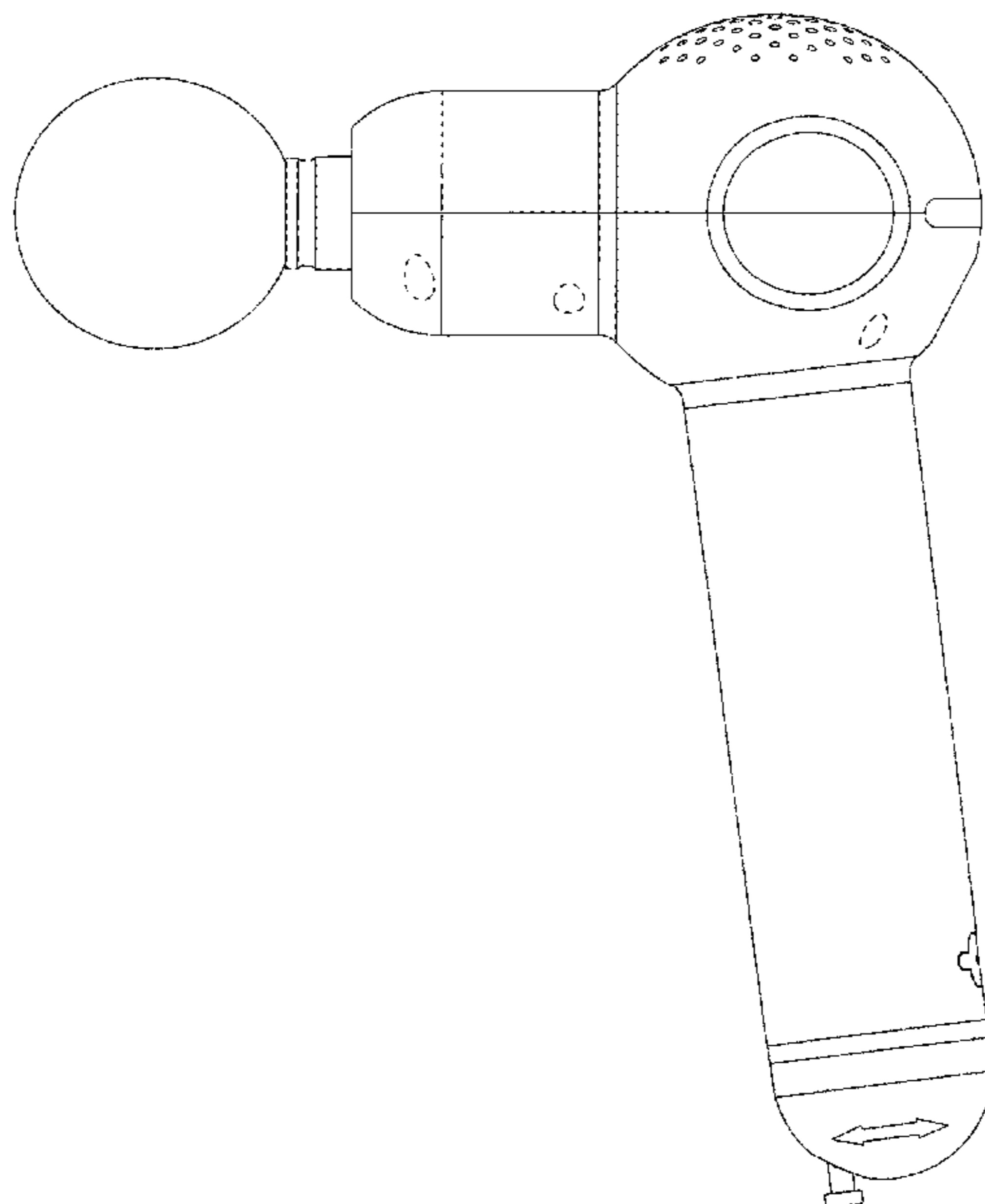
(57) **CLAIM**

The ornamental design for a massage gun, as shown and described.

DESCRIPTION

FIG. 1 is a front elevational view of a massage gun showing my new design;
FIG. 2 is a rear elevational view thereof;
FIG. 3 is a right side view thereof;
FIG. 4 is a left side view thereof;
FIG. 5 is a top plan view thereof; and,
FIG. 6 is a bottom plan view thereof.
The broken lines in the drawings illustrate portions of the massage gun that form no part of the claimed design.

1 Claim, 4 Drawing Sheets



(56)

References Cited

OTHER PUBLICATIONS

Message Guns. (Design—© Questel) orbit.com. [Online PDF compilation of references selected by examiner] 10 pgs. Print Dates Range Sep. 24, 2019-Oct. 15, 2019 [Retrieved Jun. 4, 2021] <https://www.orbit.com/export/UCZAH96B/pdf4/8c8d3872-63f4-44f7-92b3-d4c48b1e24d0-172746.pdf> (Year: 2021).*

* cited by examiner

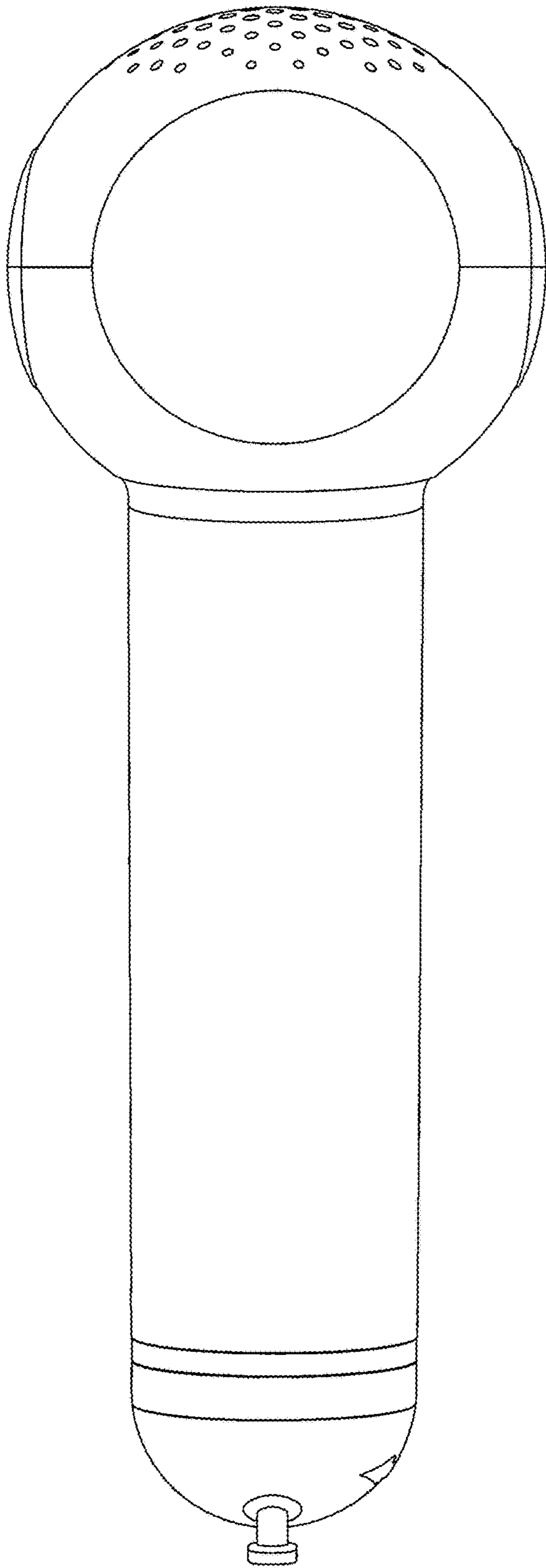


FIG.1

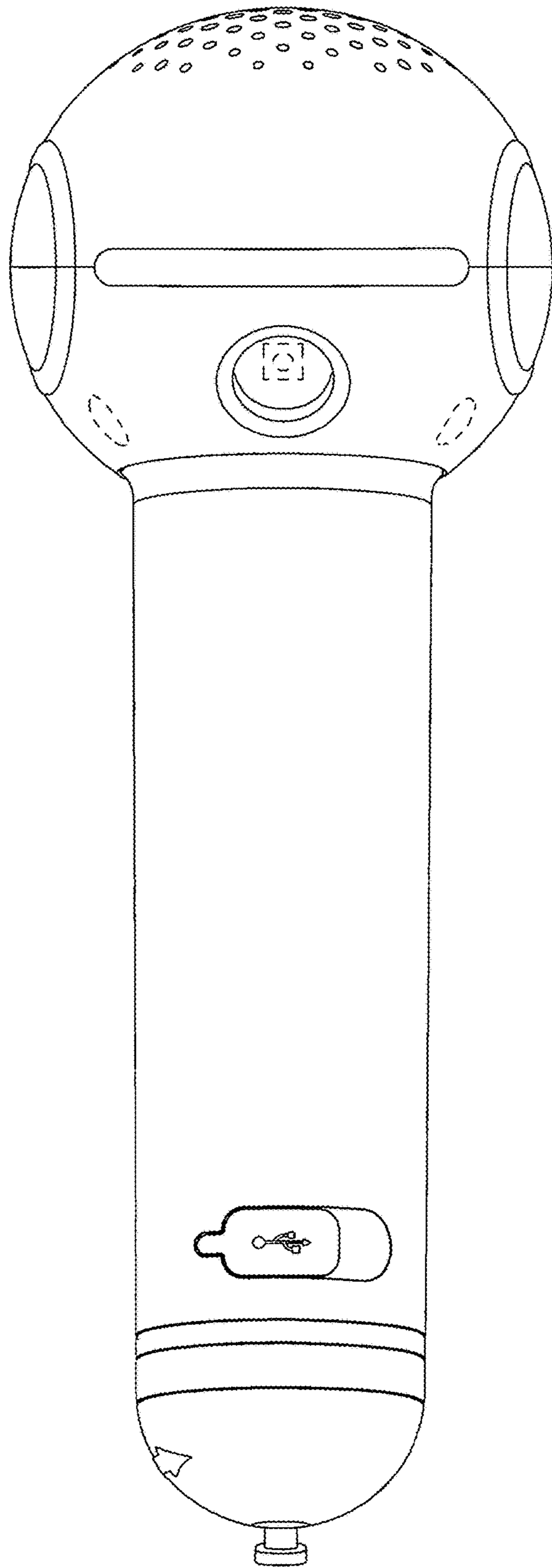


FIG.2

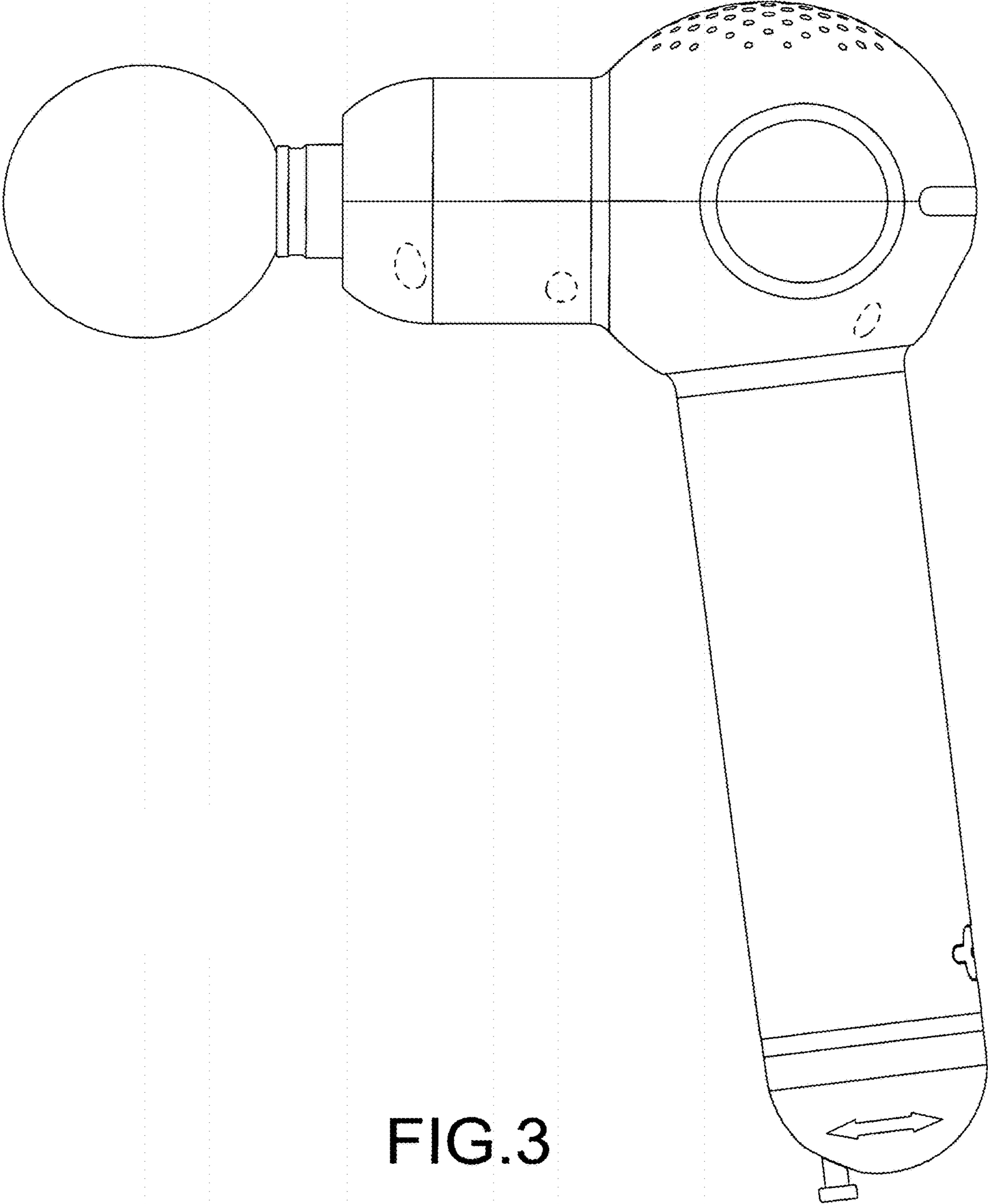


FIG.3

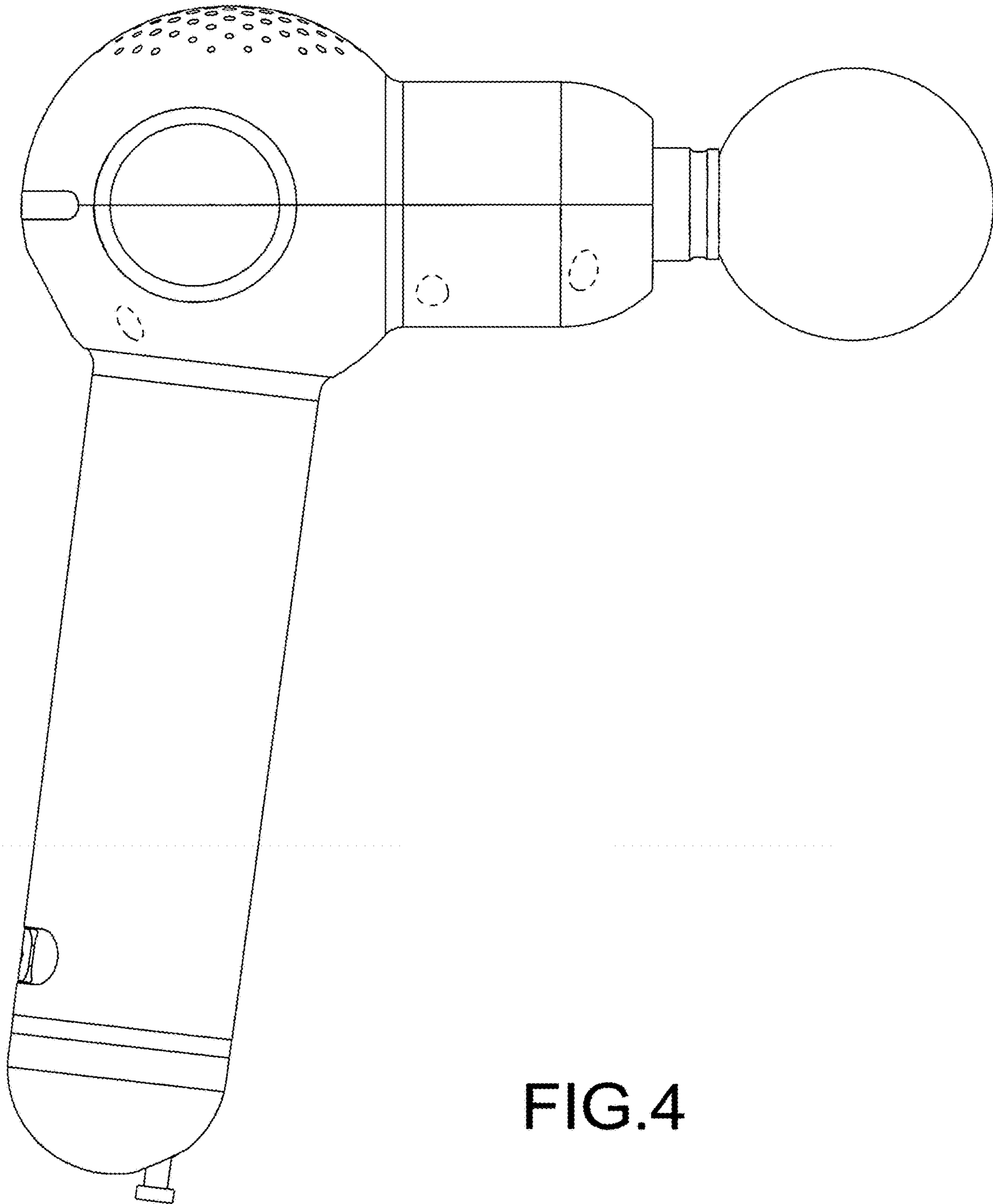


FIG.4

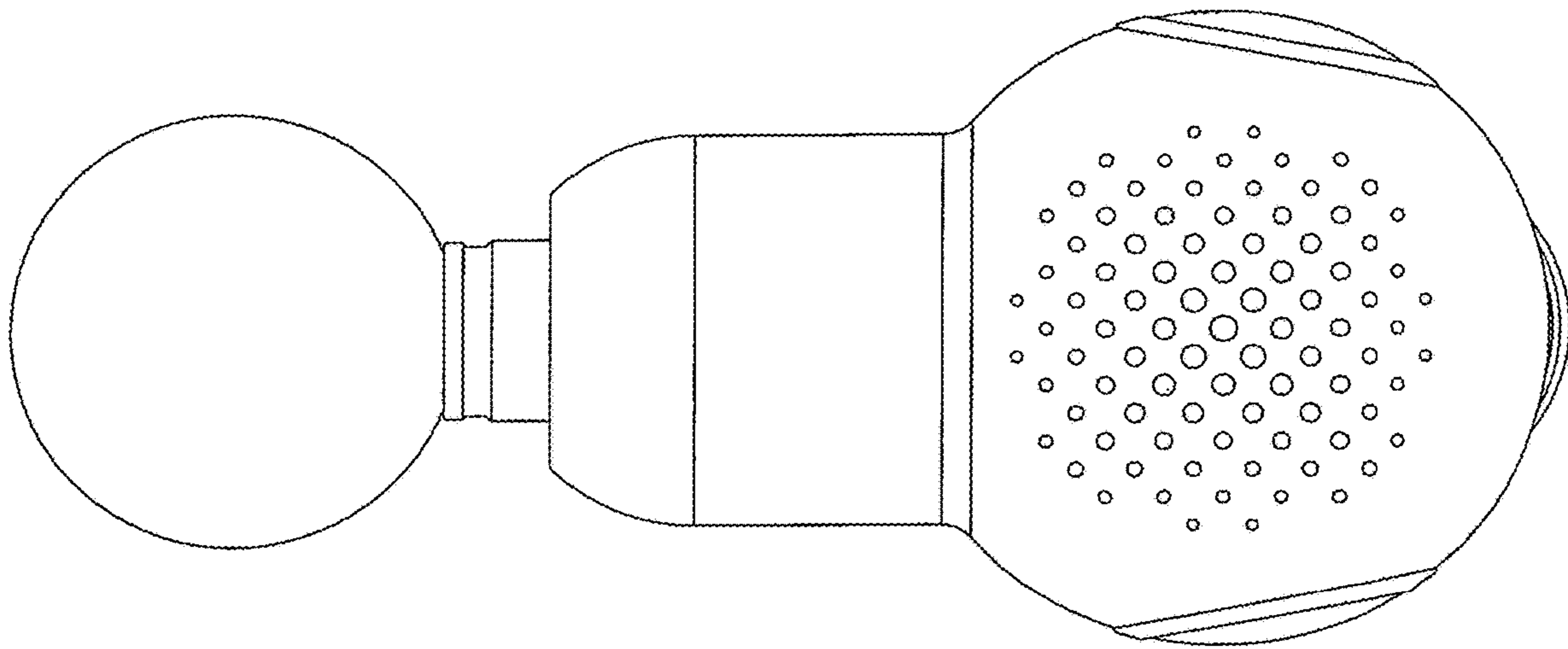


FIG. 5

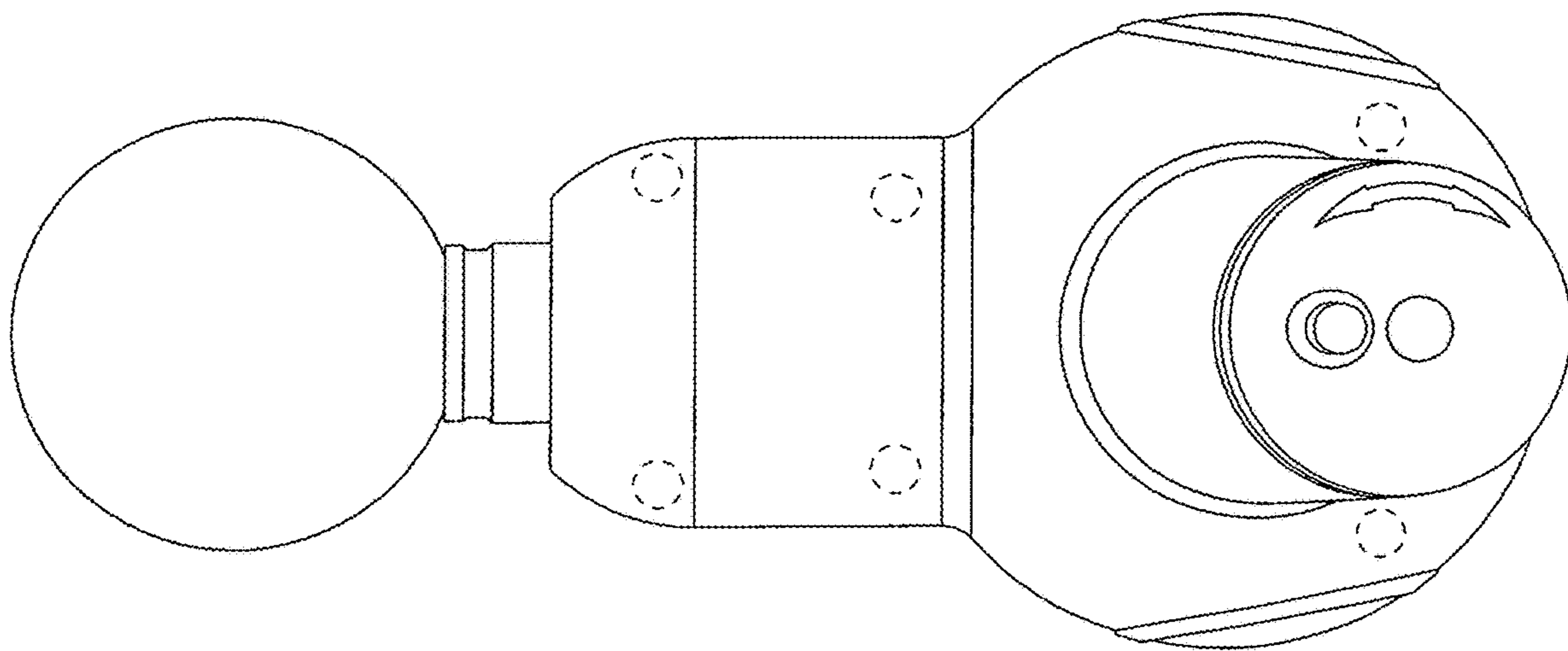


FIG. 6