



US00D940342S

(12) **United States Design Patent**
Vivers et al.

(10) **Patent No.:** **US D940,342 S**
(45) **Date of Patent:** **** Jan. 4, 2022**

(54) **SPIKE INSERT**

(71) Applicants: **Simone Vivers**, Lawson (AU); **Uta Rosie Cottrell**, Baulkham Hills (AU); **Chenhui Fan**, Lawson (AU)

(72) Inventors: **Simone Vivers**, Lawson (AU); **Uta Rosie Cottrell**, Baulkham Hills (AU); **Chenhui Fan**, Lawson (AU)

(**) Term: **15 Years**

(21) Appl. No.: **29/730,705**

(22) Filed: **Apr. 7, 2020**

(51) **LOC (13) Cl.** **28-03**

(52) **U.S. Cl.**
USPC **D24/200; D24/211**

(58) **Field of Classification Search**
USPC D24/200, 211, 146, 214–215; D6/582, D6/587
CPC A61H 7/00; A61H 7/001; A61H 39/00; A61H 39/04; A61H 39/02; A61H 2201/1284; A61H 2201/1695; A61H 2015/00; A61H 2015/005; A61H 2015/08; A61H 2015/081; A61H 2015/04
See application file for complete search history.

(56) **References Cited**

U.S. PATENT DOCUMENTS

D344,137 S *	2/1994	Yoo	D24/200
D347,282 S *	5/1994	Yoo	D24/200
D351,235 S *	10/1994	Yoo	D24/200
D639,430 S *	6/2011	Yoo	D24/146
D713,970 S *	9/2014	Olofsson	D24/200
D865,991 S *	11/2019	Grigorenko	D24/215

D869,674 S *	12/2019	Cheng	D24/214
D910,866 S *	2/2021	Chen	D24/211
2005/0165450 A1 *	7/2005	Perez-Torrens	A61H 7/001 606/240
2015/0351996 A1 *	12/2015	Bukharina	A61H 7/001 601/134

OTHER PUBLICATIONS

Renee Reardin, "Acupressure Mat?" Updated: Jan. 18, 2021. Retrived on Sep. 13, 2021. Retrieved from <https://www.besthealthmag.ca/article/acupressure-mat/>.*

* cited by examiner

Primary Examiner — Wan Laymon

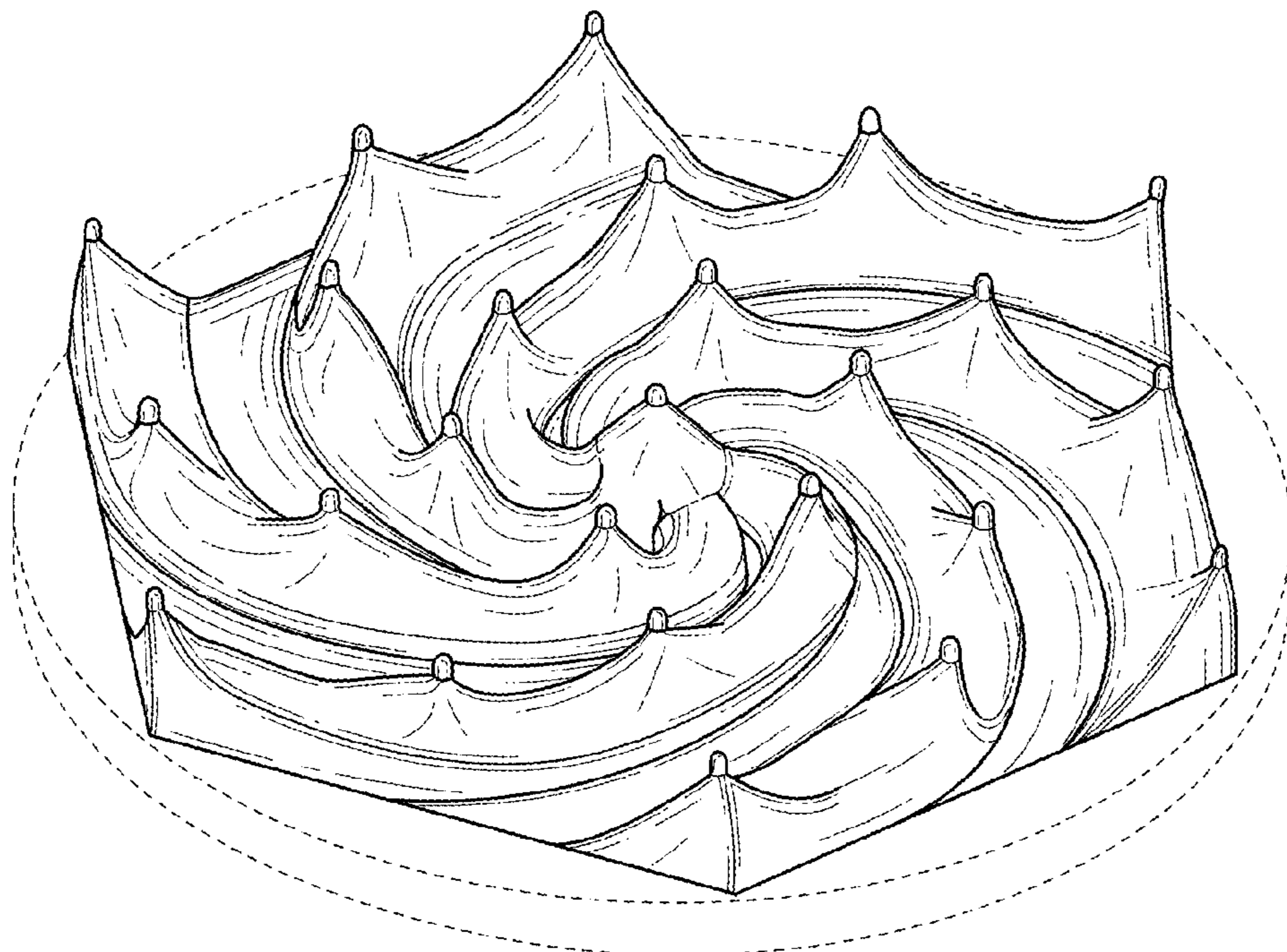
(57) **CLAIM**

The ornamental design for a spike insert, as shown and described.

DESCRIPTION

FIG. 1 is a front-top perspective view of a spike insert showing my new design;
FIG. 2 is a front-bottom perspective view thereof;
FIG. 3 is a front elevational view thereof;
FIG. 4 is a rear elevational view thereof;
FIG. 5 is a left elevational view thereof;
FIG. 6 is a right elevational view thereof;
FIG. 7 is a top plan view thereof; and,
FIG. 8 is a bottom plan view thereof.
In the drawings, the broken lines depict environmental subject matter only and form no part of the claimed design.

1 Claim, 8 Drawing Sheets



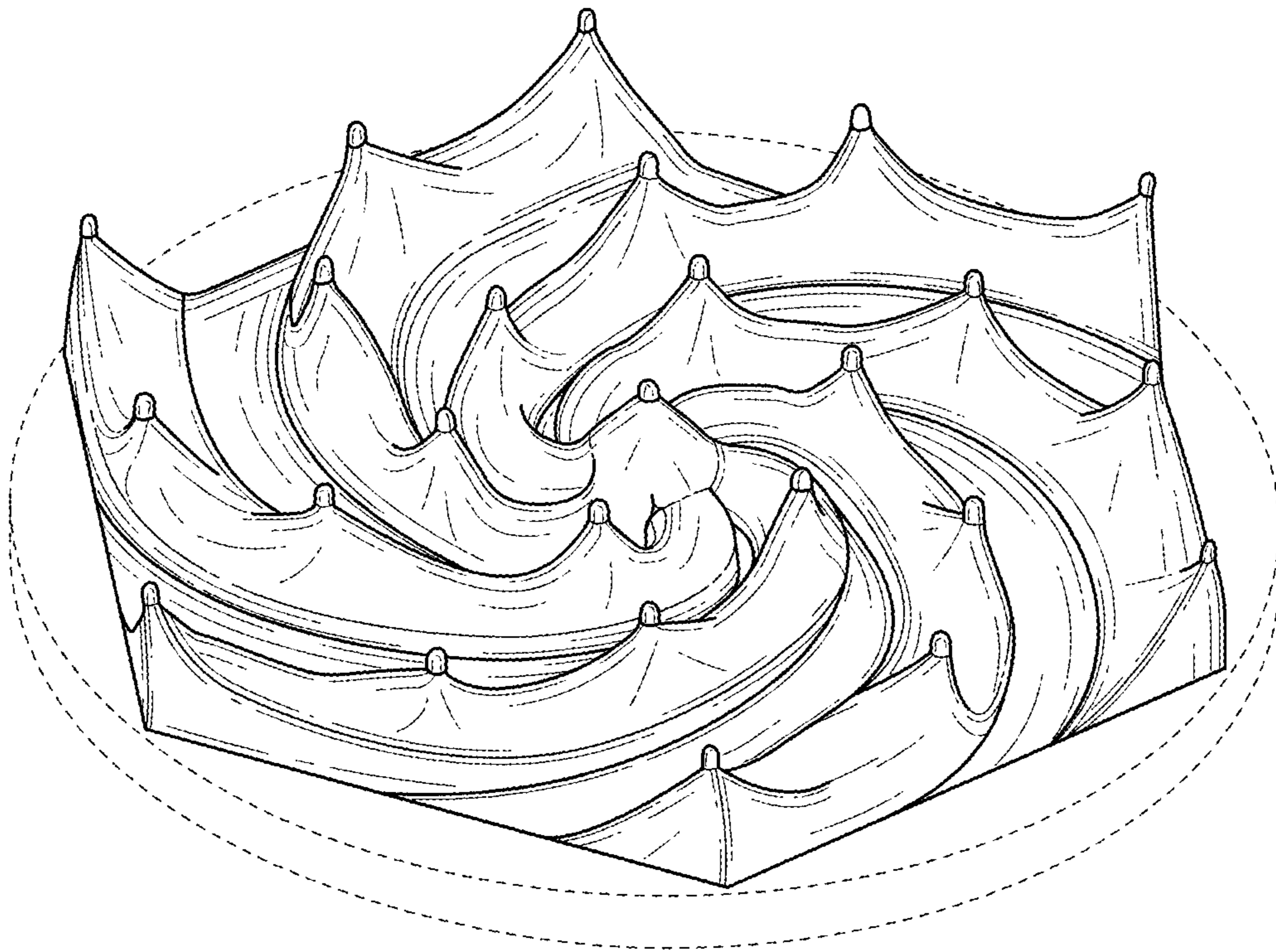


FIG. 1

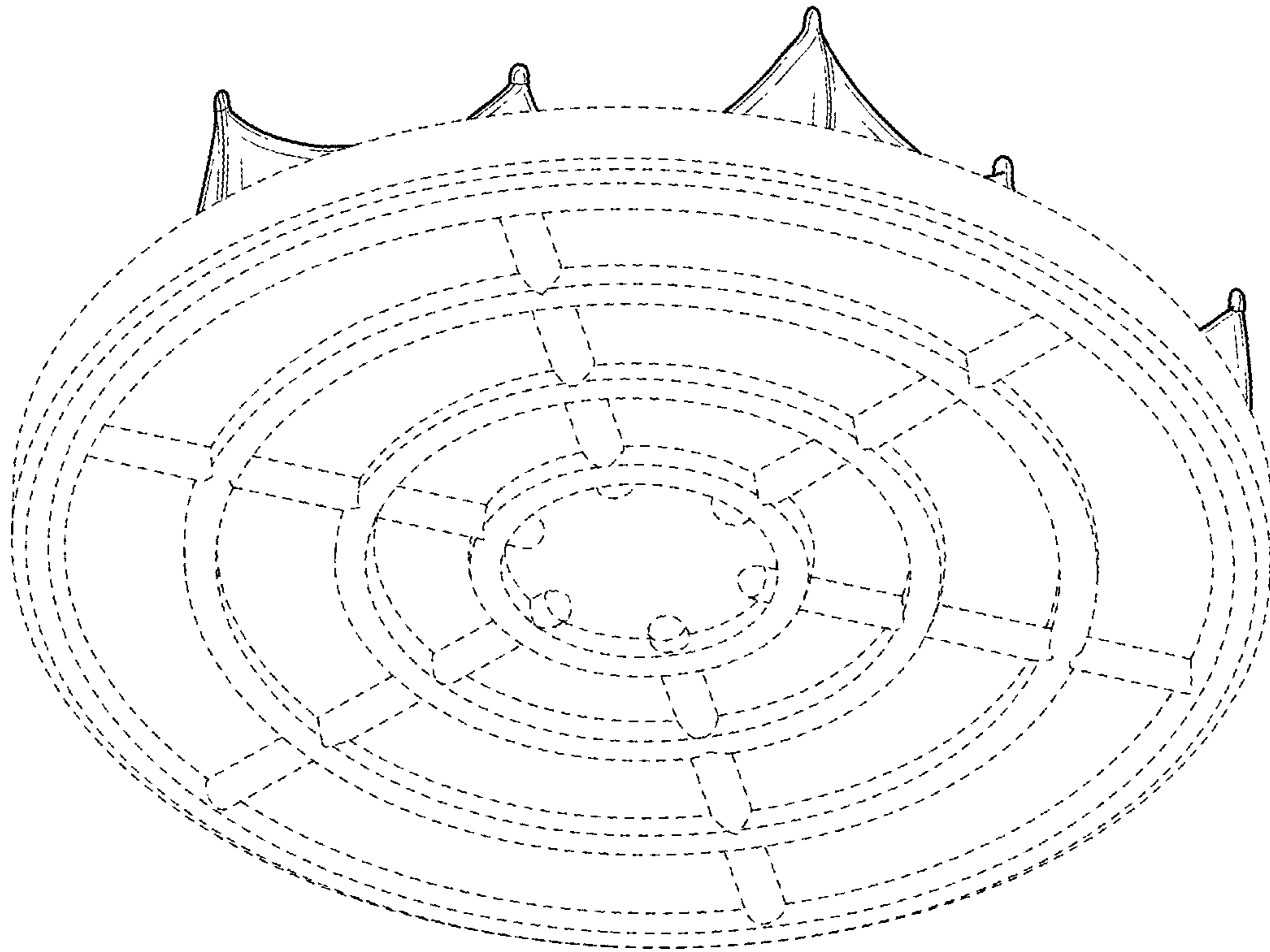


FIG. 2

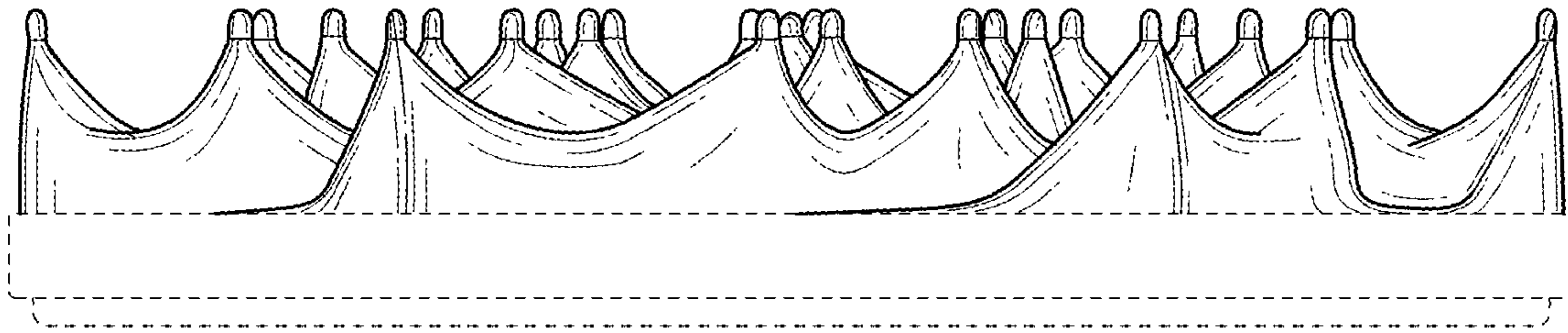


FIG. 3

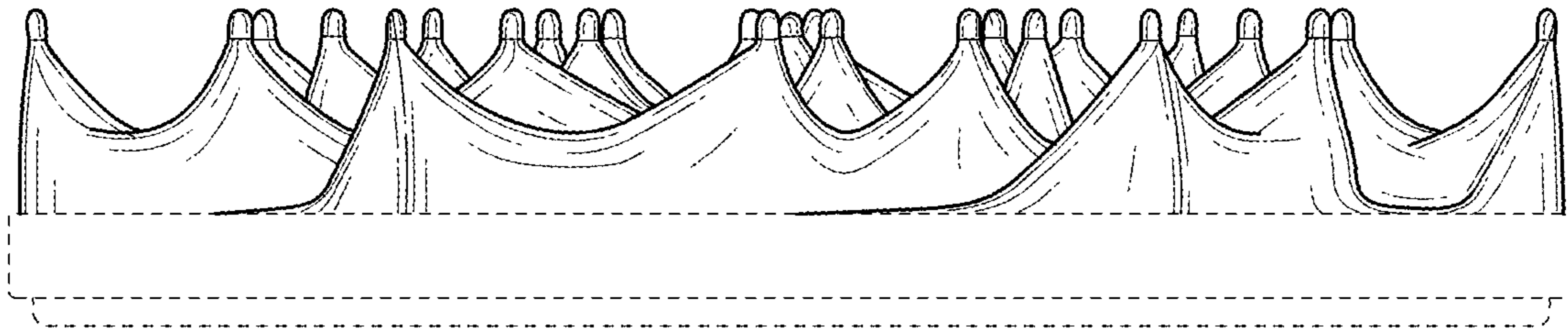


FIG. 4

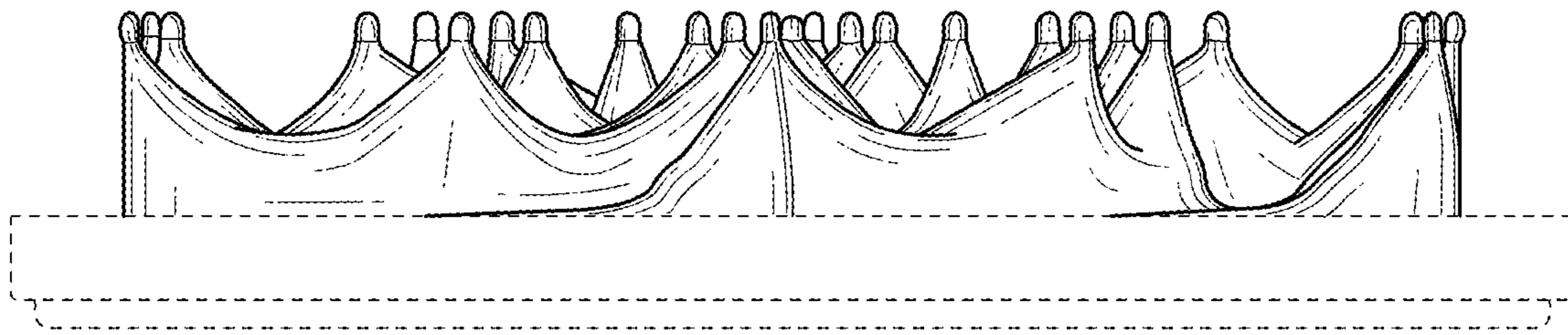


FIG. 5

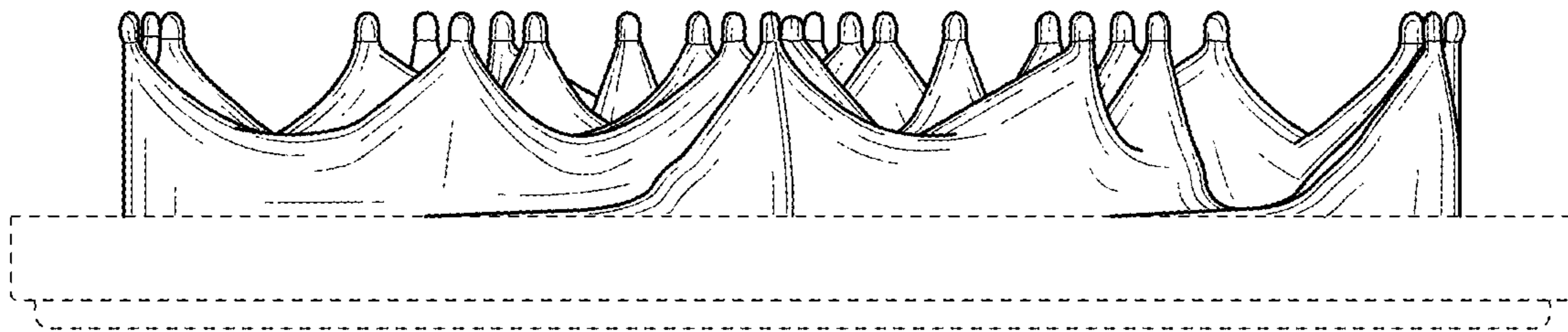


FIG. 6

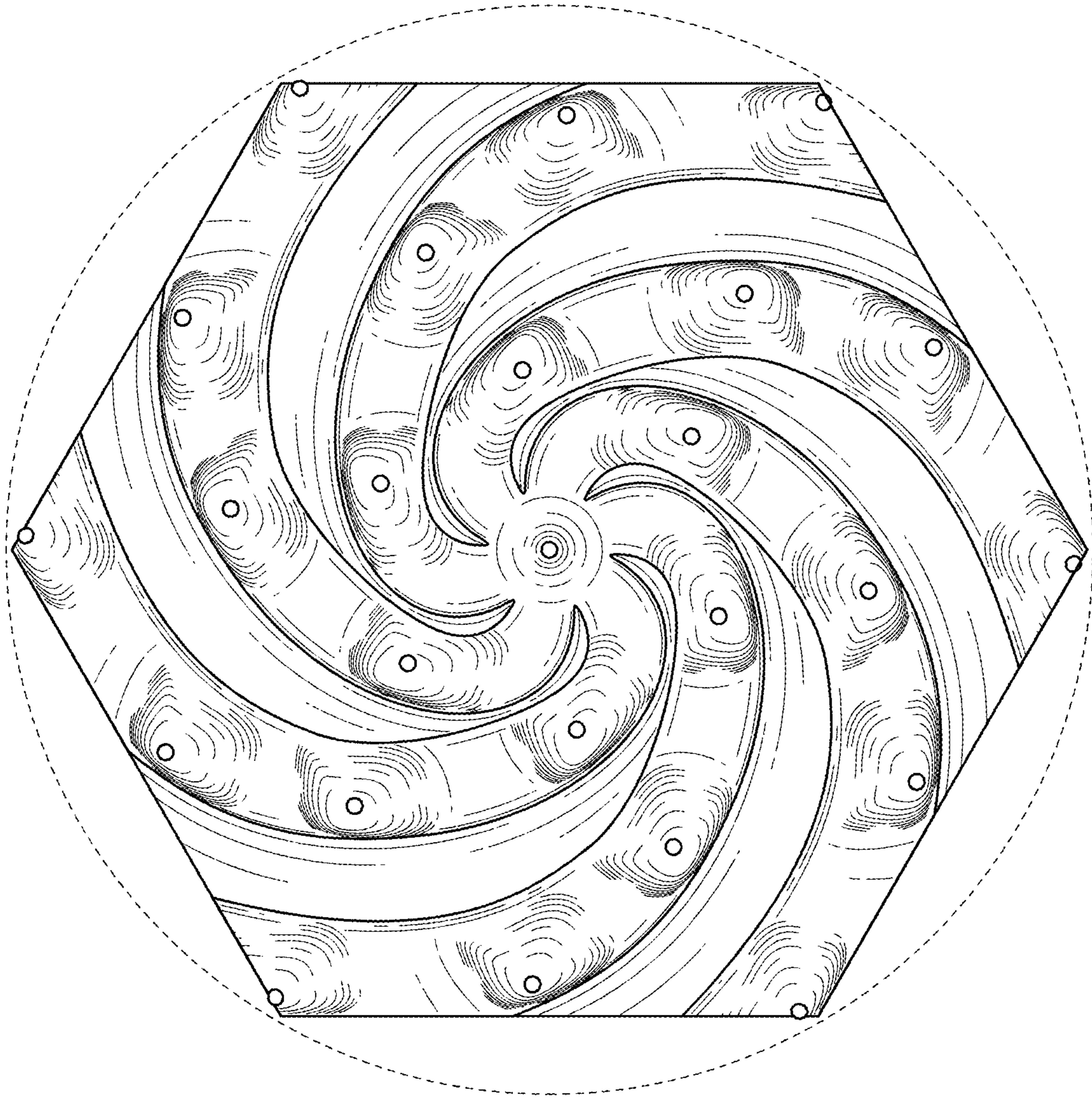


FIG. 7

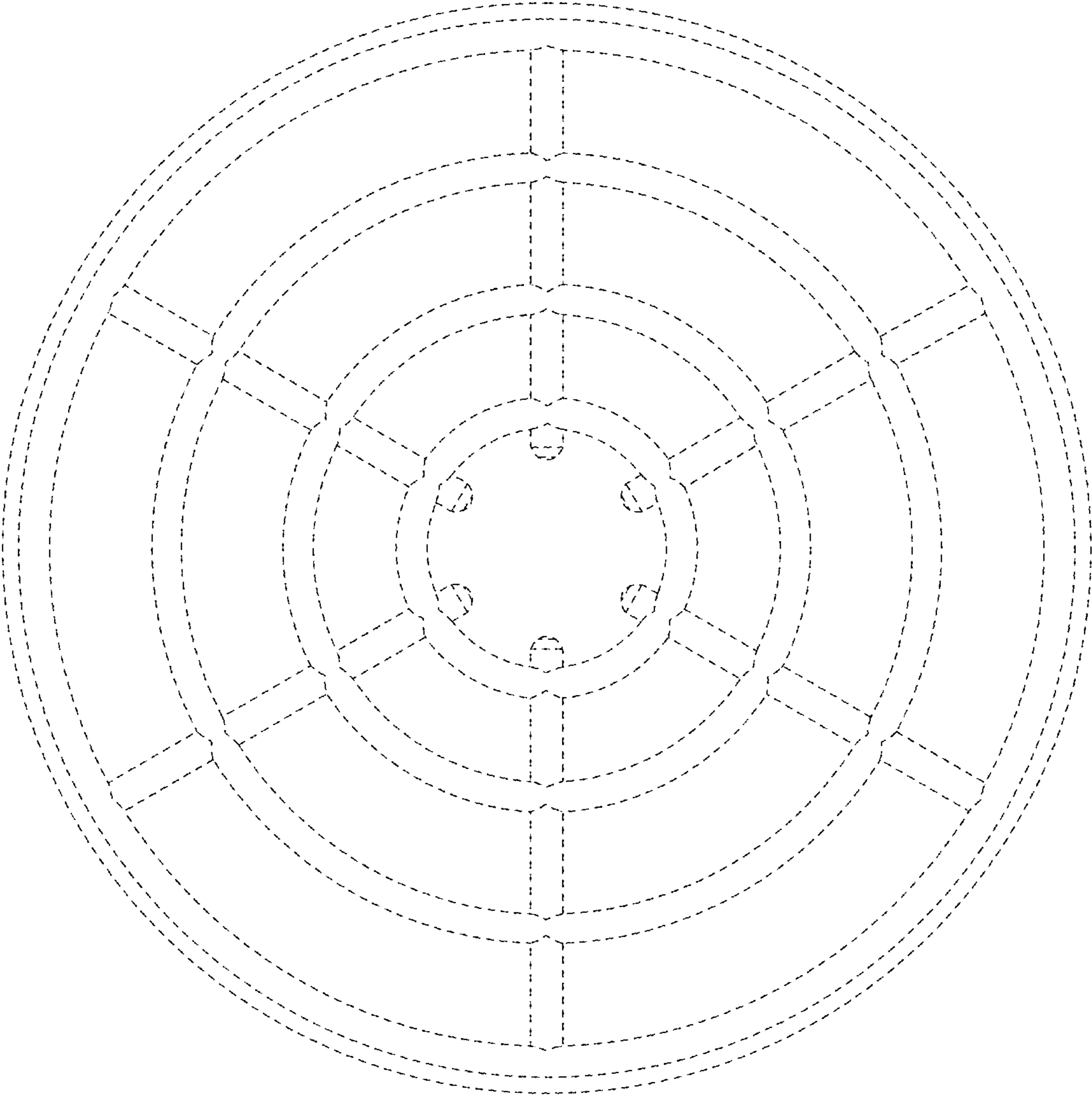


FIG. 8