



US00D940340S

(12) **United States Design Patent**
Sturm et al.

(10) **Patent No.:** **US D940,340 S**
(45) **Date of Patent:** **** Jan. 4, 2022**

(54) **SILICONE PACIFIER**
(71) Applicant: **Medela Holding AG**, Baar (CH)
(72) Inventors: **Dominic Sturm**, Zürich (CH); **Philipp Bühler**, Zürich (CH)
(73) Assignee: **MEDELA HOLDING AG**, Baar (CH)
(**) Term: **15 Years**

D296,471 S * 6/1988 Marriott D24/195
D371,201 S * 6/1996 Gipson D24/195
D691,277 S * 10/2013 McCarty D24/194
D826,413 S * 8/2018 Eaton D24/194
D862,714 S * 10/2019 Eaton D24/194
D865,191 S * 10/2019 Brown D24/196
2009/0235927 A1* 9/2009 Krueger A61M 16/0495
128/200.26
2015/0051646 A1* 2/2015 Chan A61J 17/02
606/236
2021/0169745 A1* 6/2021 Hakim A61J 17/10

(21) Appl. No.: **35/510,373**

OTHER PUBLICATIONS

(22) Filed: **Sep. 3, 2020**

Amazon.Com, Philips avent soothie shapes pacifier, Jun. 2019, online product page, retrieved Oct. 18, 2021 from <URL:https://www.amazon.com/Philips-AVENT-Pacifier-SCF194-41/dp/B07T8C22JW?th=1> (Year: 2019).*

(80) **Hague Agreement Data**

Int. Filing Date: **Sep. 3, 2020**
Int. Reg. No.: **DM/210232**
Int. Reg. Date: **Sep. 3, 2020**
Int. Reg. Pub. Date: **Sep. 18, 2020**

* cited by examiner

Primary Examiner — George D. Kirschbaum
Assistant Examiner — Calvin E Vansant
(74) *Attorney, Agent, or Firm* — Marshall, Gerstein & Borun LLP

(30) **Foreign Application Priority Data**

Mar. 24, 2020 (EM) 007768478

(51) **LOC (13) Cl.** **24-04**

(52) **U.S. Cl.**
USPC **D24/195; D24/188**

(58) **Field of Classification Search**
USPC D24/194, 195, 196, 198, 199; D21/604
CPC A61J 17/001; A61J 17/00; A61J 17/02
See application file for complete search history.

(57) **CLAIM**

The ornamental design for a silicone pacifier, as shown and described.

(56) **References Cited**

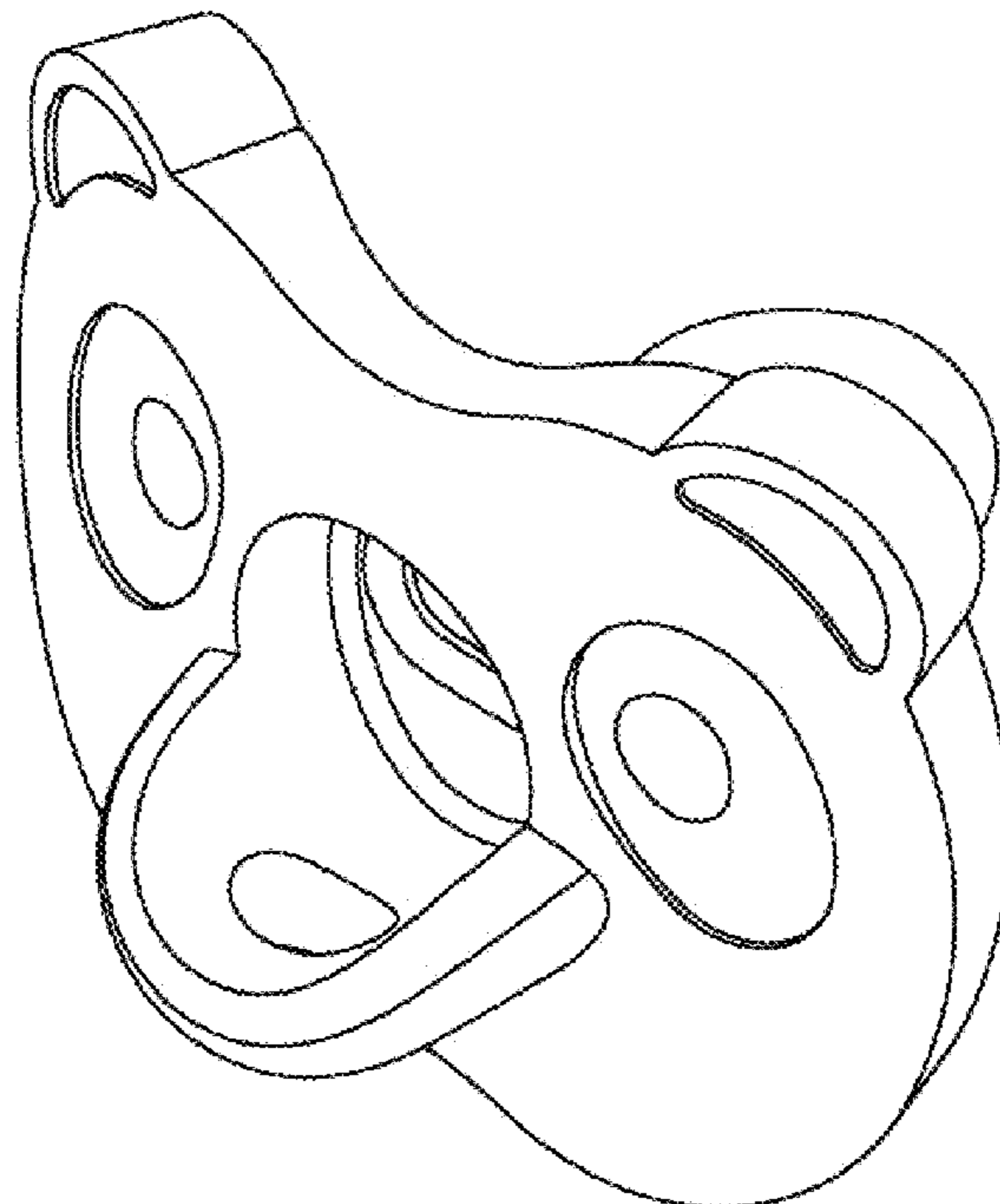
U.S. PATENT DOCUMENTS

D267,116 S * 11/1982 Bubelis D24/194
D273,991 S * 5/1984 Moore D24/194

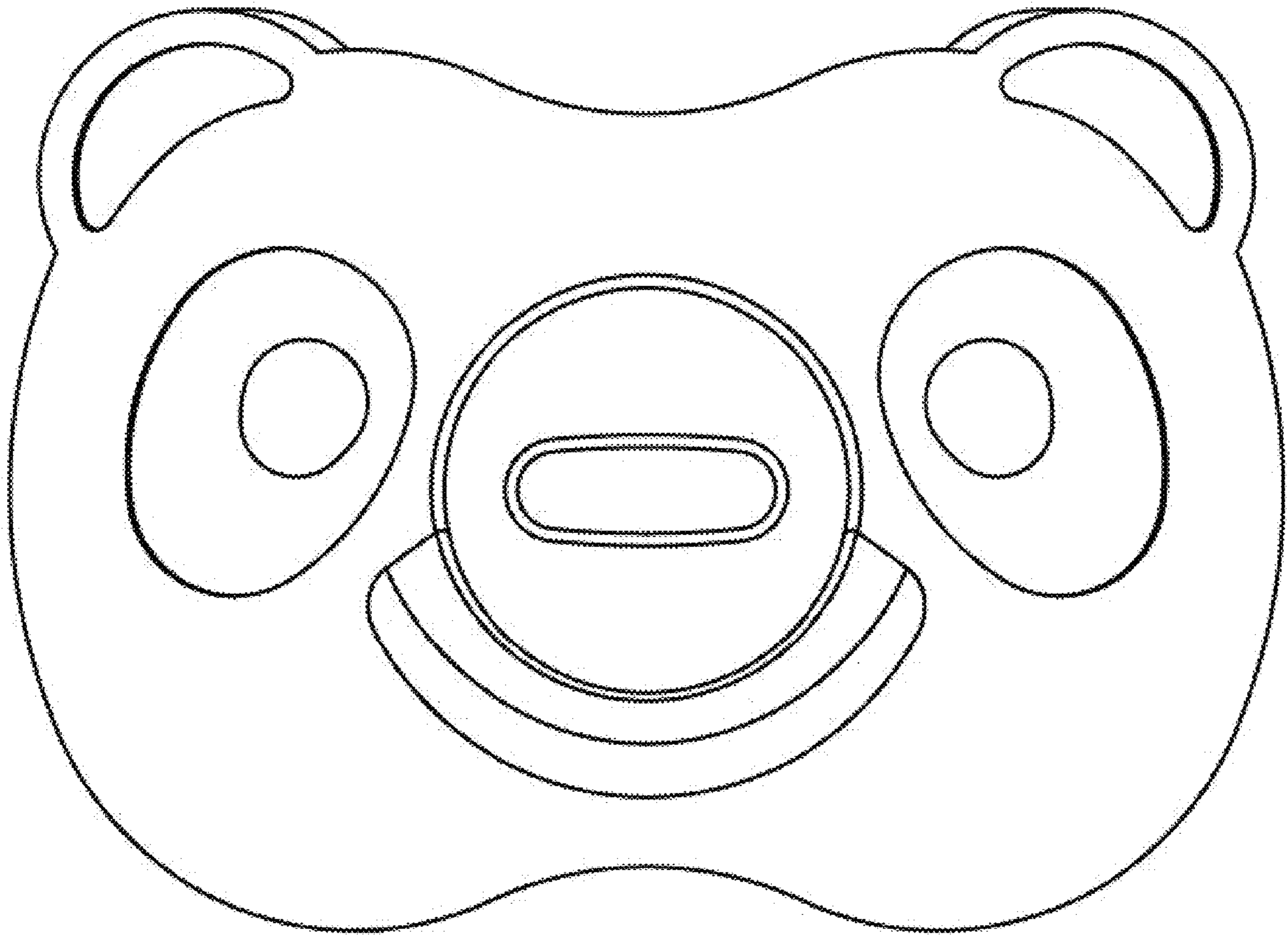
DESCRIPTION

1. Silicone pacifier
1.1—front; 1.2—back; 1.3—left; 1.4—top; 1.5—perspective top; 1.6—bottom; 1.7—perspective bottom.

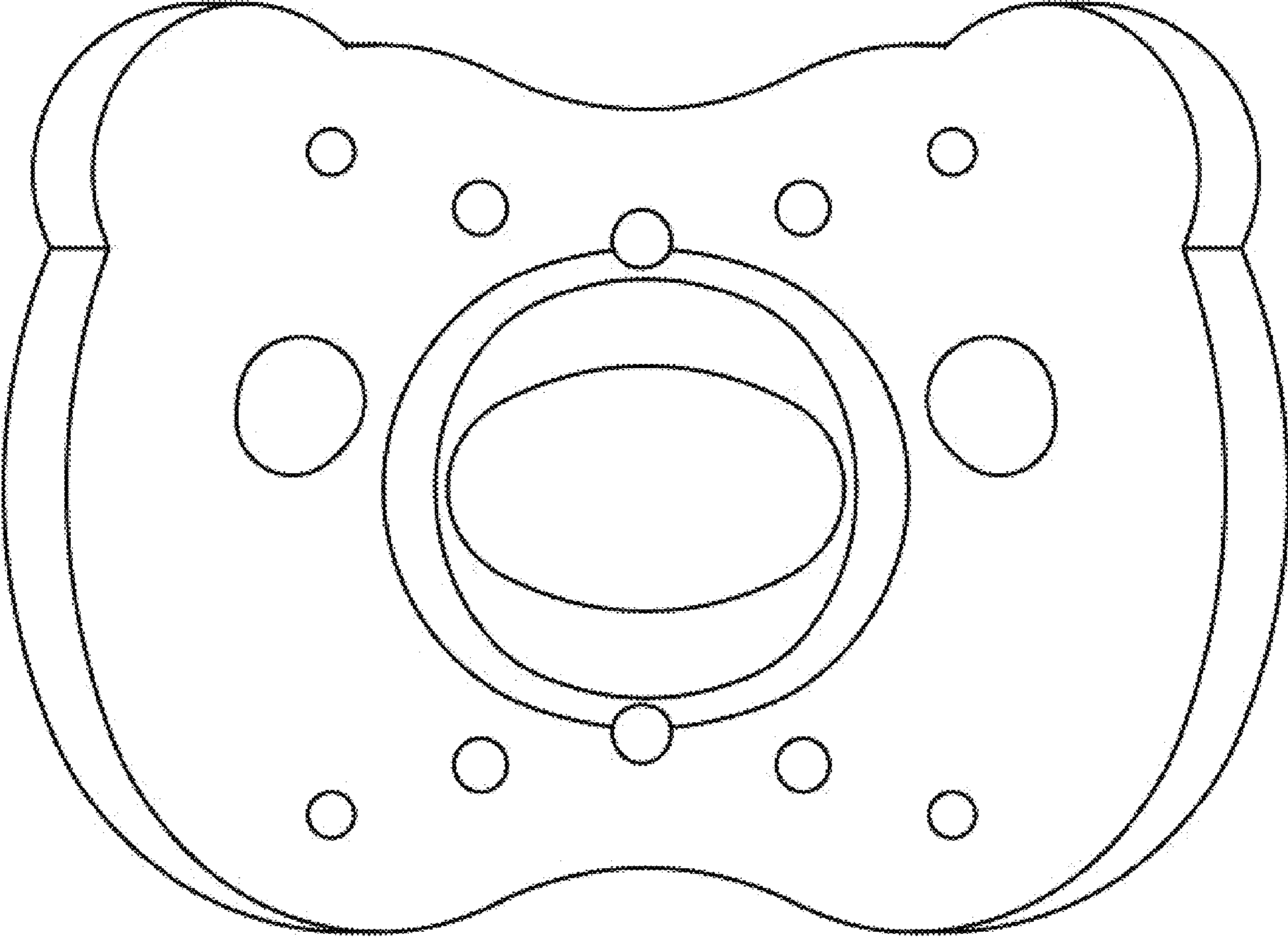
1 Claim, 7 Drawing Sheets



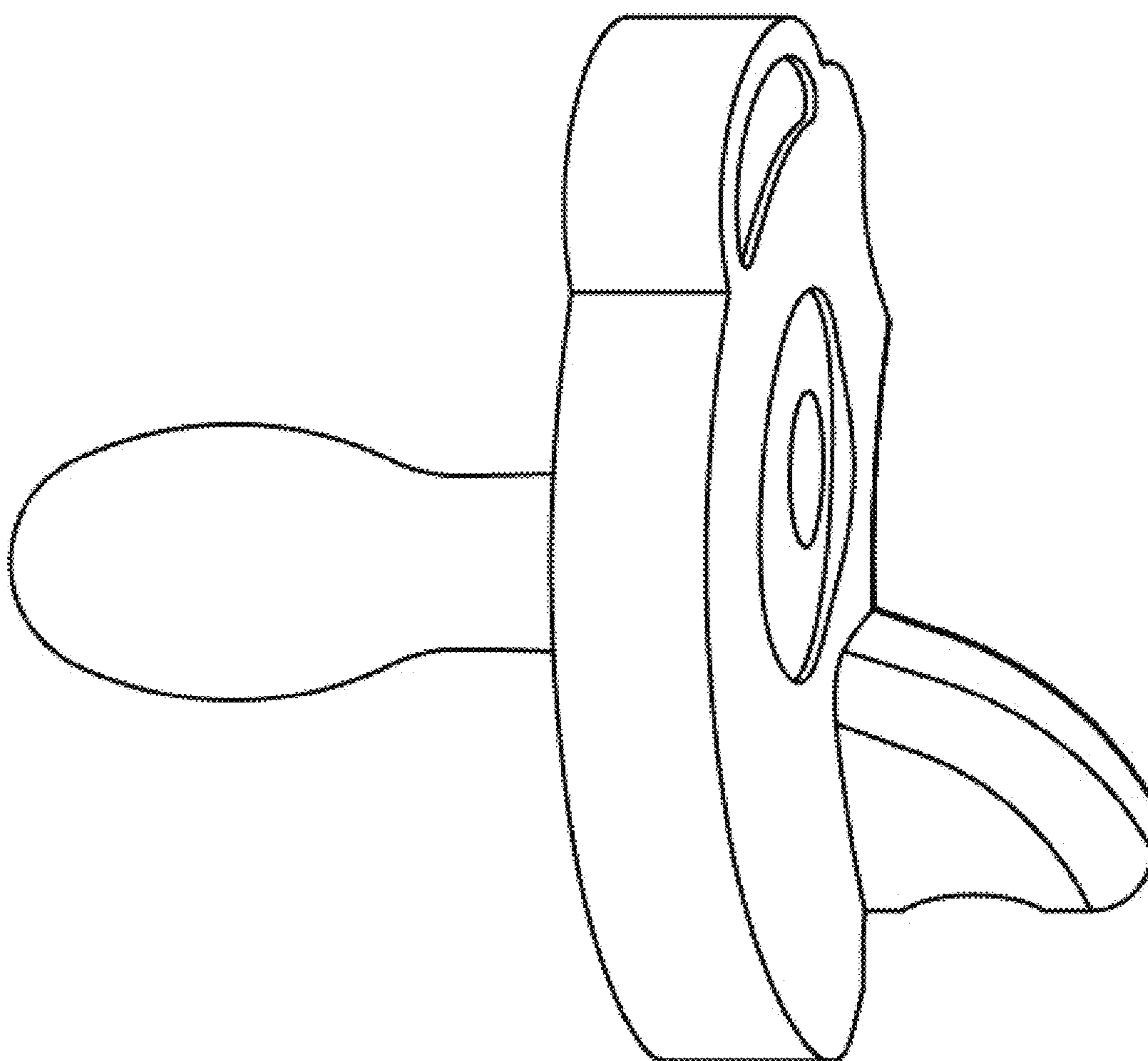
1.1



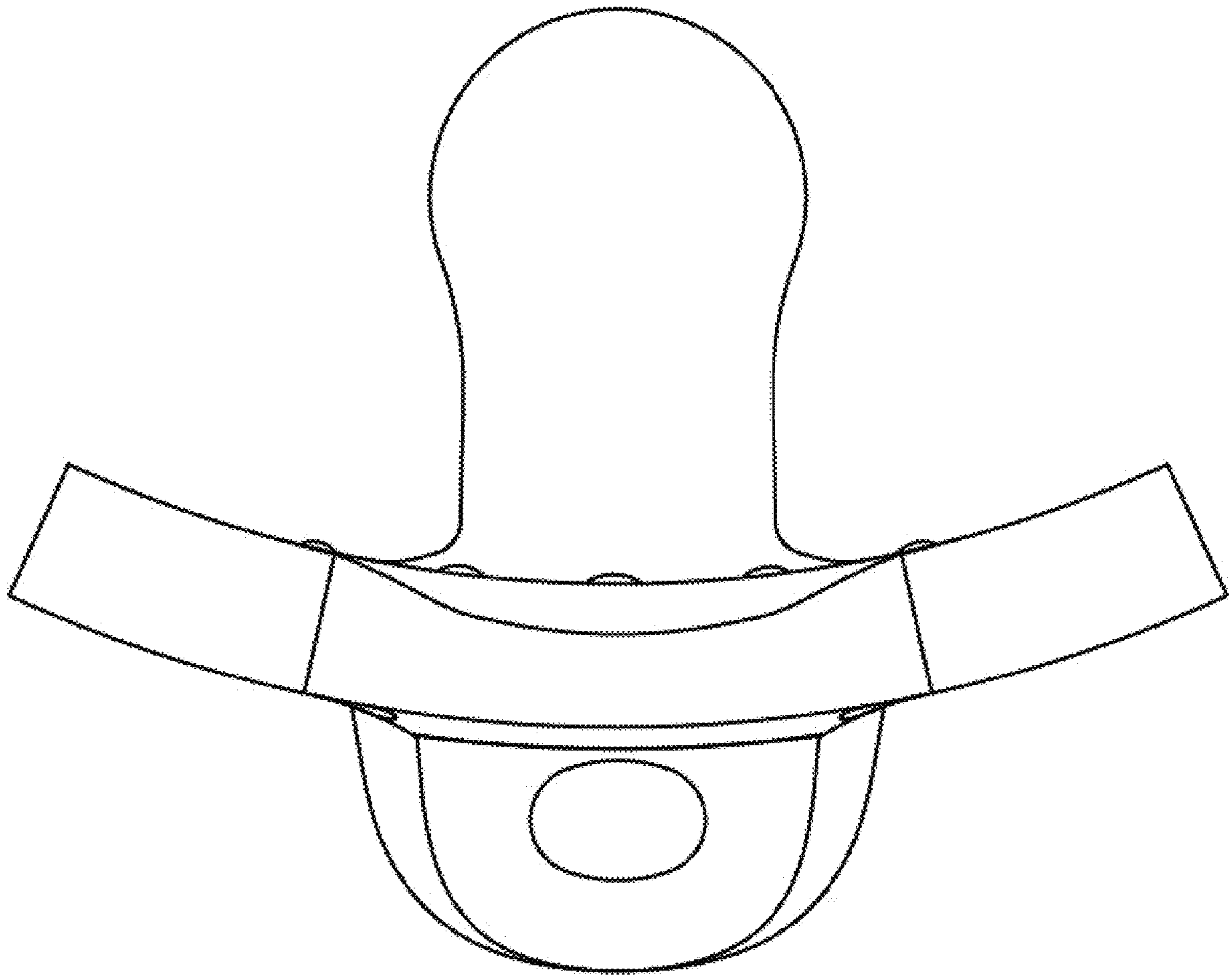
1.2



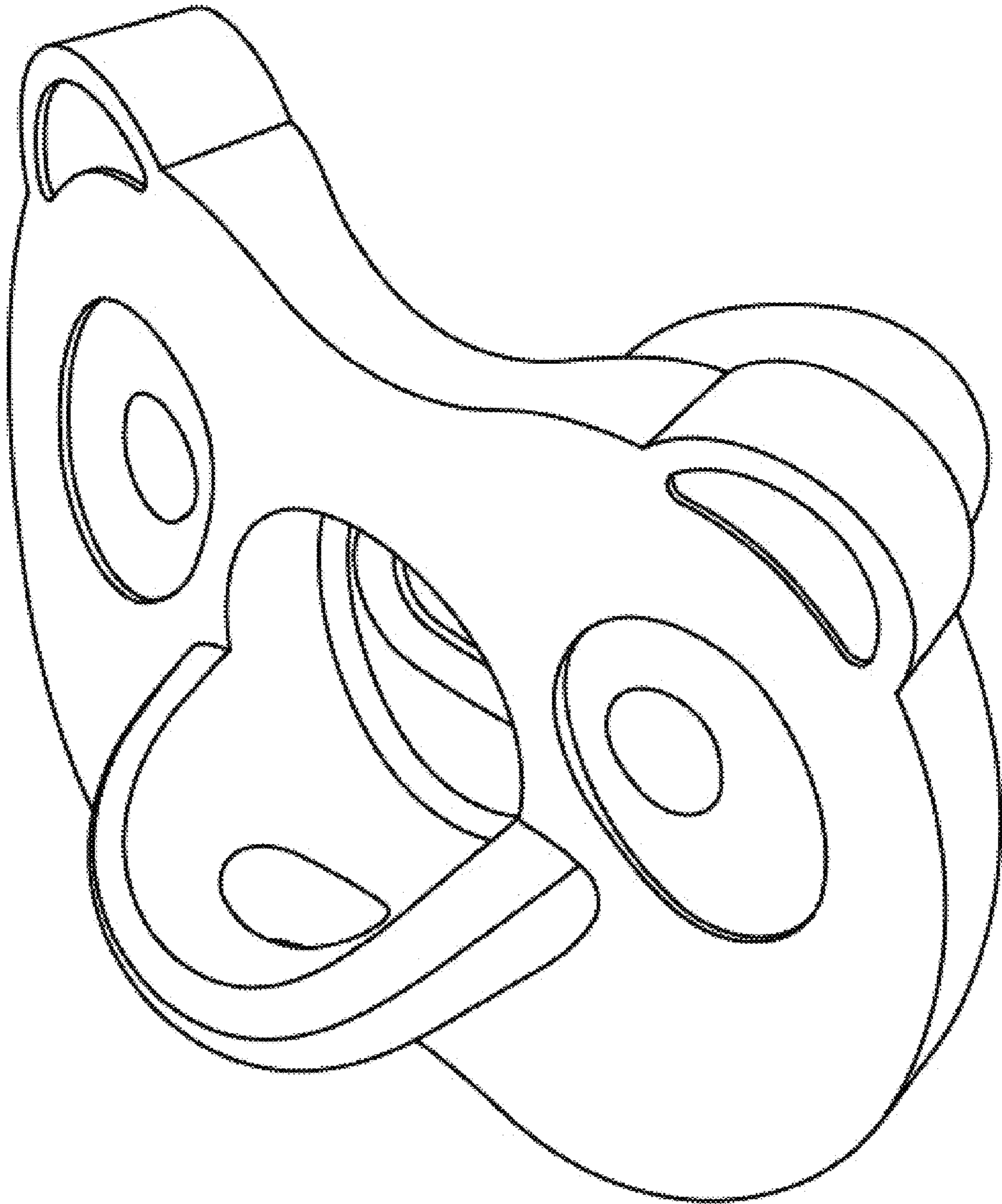
1.3



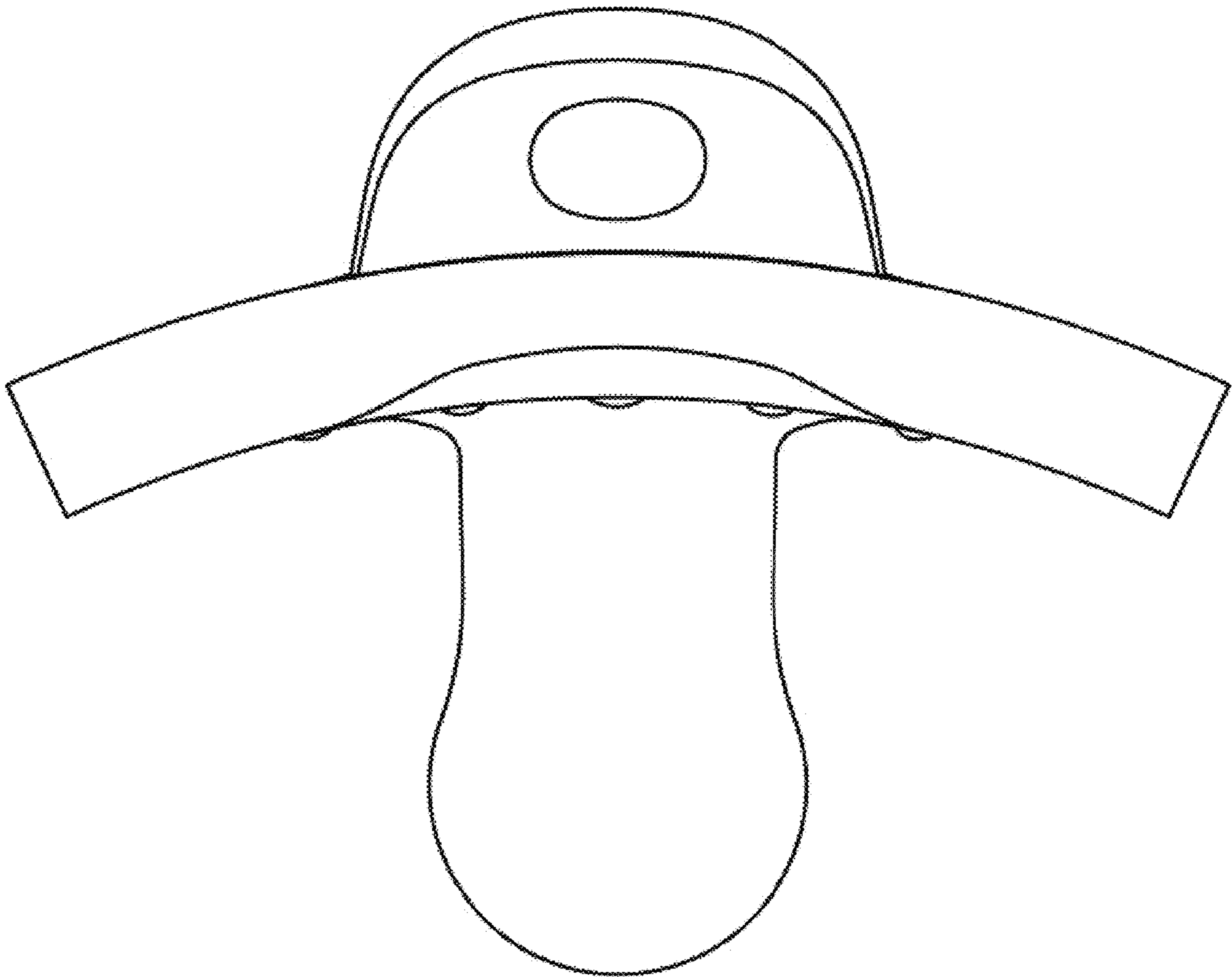
1.4



1.5



1.6



1.7

