



US00D940339S

(12) **United States Design Patent**
Jung

(10) **Patent No.:** **US D940,339 S**

(45) **Date of Patent:** **** Jan. 4, 2022**

(54) **BUNION TOE SPACER**

(71) Applicant: **Daniel Jung**, Issaquah, WA (US)

(72) Inventor: **Daniel Jung**, Issaquah, WA (US)

(**) Term: **15 Years**

(21) Appl. No.: **29/725,504**

(22) Filed: **Feb. 25, 2020**

(51) **LOC (13) Cl.** **24-04**

(52) **U.S. Cl.**
USPC **D24/192**

(58) **Field of Classification Search**
USPC D24/188-192
CPC A61F 5/0111; A61F 5/0113; A61F 5/01;
A61F 5/0102; A61F 5/0127; A61F
5/0585; A61F 5/019; A61F 13/064; A61F
13/065; A61F 5/10; A61F 13/063; A61F
13/068; A63B 21/0442; A63B 21/0557;
A63B 21/4025; A63B 21/4015
See application file for complete search history.

(56) **References Cited**

U.S. PATENT DOCUMENTS

- 1,656,135 A * 1/1928 Blanchfield A61F 5/019
128/894
- 2,499,768 A * 3/1950 McGlumphy A61F 13/063
602/30
- D443,694 S * 6/2001 Ford D24/189
- D835,793 S * 12/2018 Zhuang D24/192
- D920,524 S * 5/2021 Kersen D24/192
- D927,001 S * 8/2021 Kersen D24/192
- D927,002 S * 8/2021 Kersen D24/192

- D928,332 S * 8/2021 Kersen D24/192
- D928,972 S * 8/2021 Kersen D24/192
- 2021/0251791 A1* 8/2021 Jung A43B 7/26

OTHER PUBLICATIONS

Chiroplax Tailor's Bunion Corrector Pads Bunionette Pain Relief Pinky Toe Separator Cushion Splint Protector Shield Spacer Cover Guard, Amazon first release date Apr. 29, 2020, viewed online Nov. 2, 2021. Available at URL: <https://www.amazon.com/Chiroplax-Corrector-Bunionette-Straightener-Separator/dp/B08743STT6/ref=psd>.*

* cited by examiner

Primary Examiner — Jennifer L Watkins

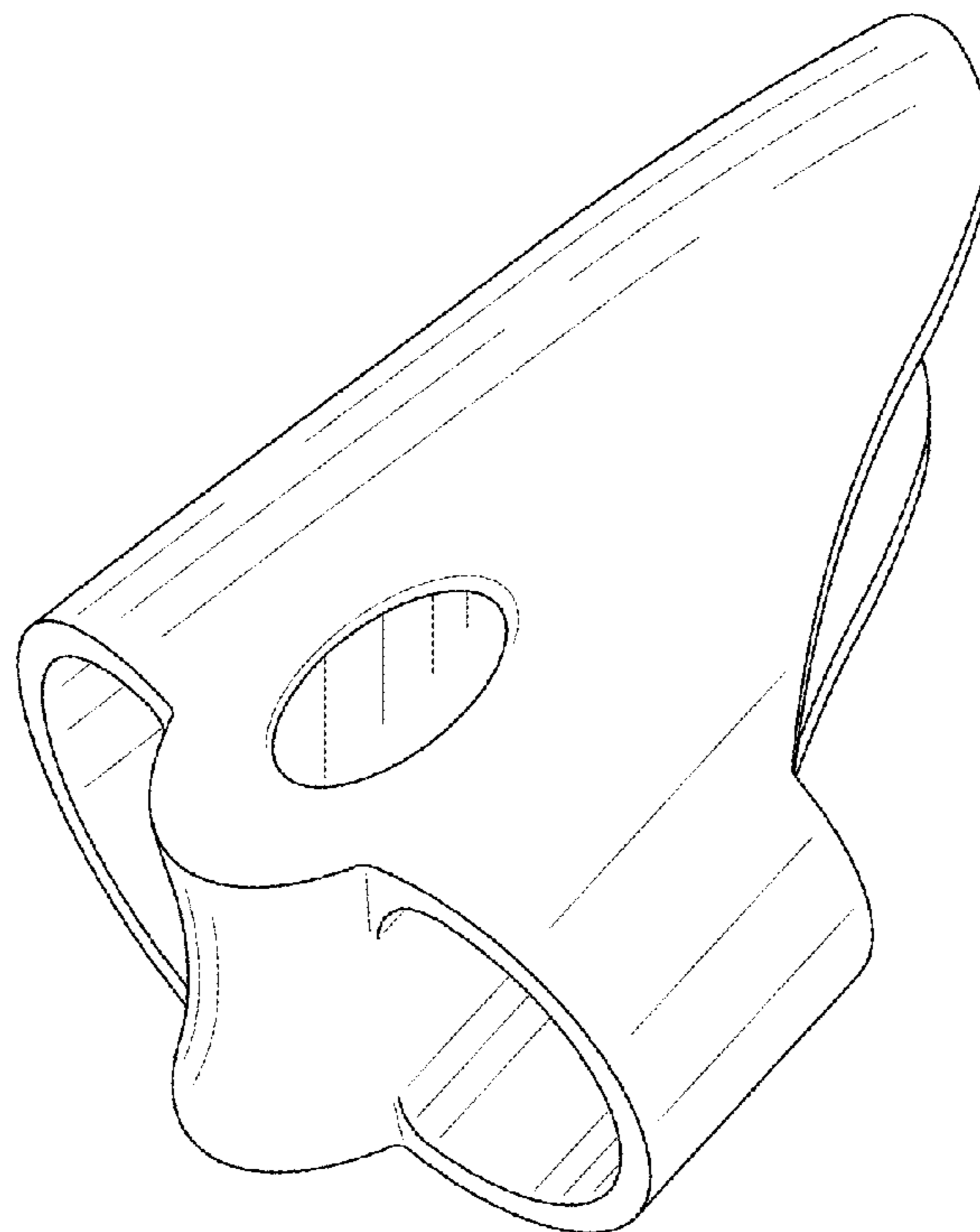
(57) **CLAIM**

I claim the ornamental design for a bunion toe spacer, as shown and described.

DESCRIPTION

FIG. 1 is a perspective view of a bunion toe spacer according to my design.
FIG. 2 is a top plan view thereof. The bottom plan view is a mirror image of the top plan view.
FIG. 3 is a front elevation view thereof.
FIG. 4 is a rear elevation view thereof.
FIG. 5 is a left side elevation view thereof.
FIG. 6 is a right side elevation view thereof.
FIG. 7 is an in-use view thereof; and,
FIG. 8 is an in-use view thereof.
The broken lines in the drawings depict environment and form no part of the claimed design.

1 Claim, 4 Drawing Sheets



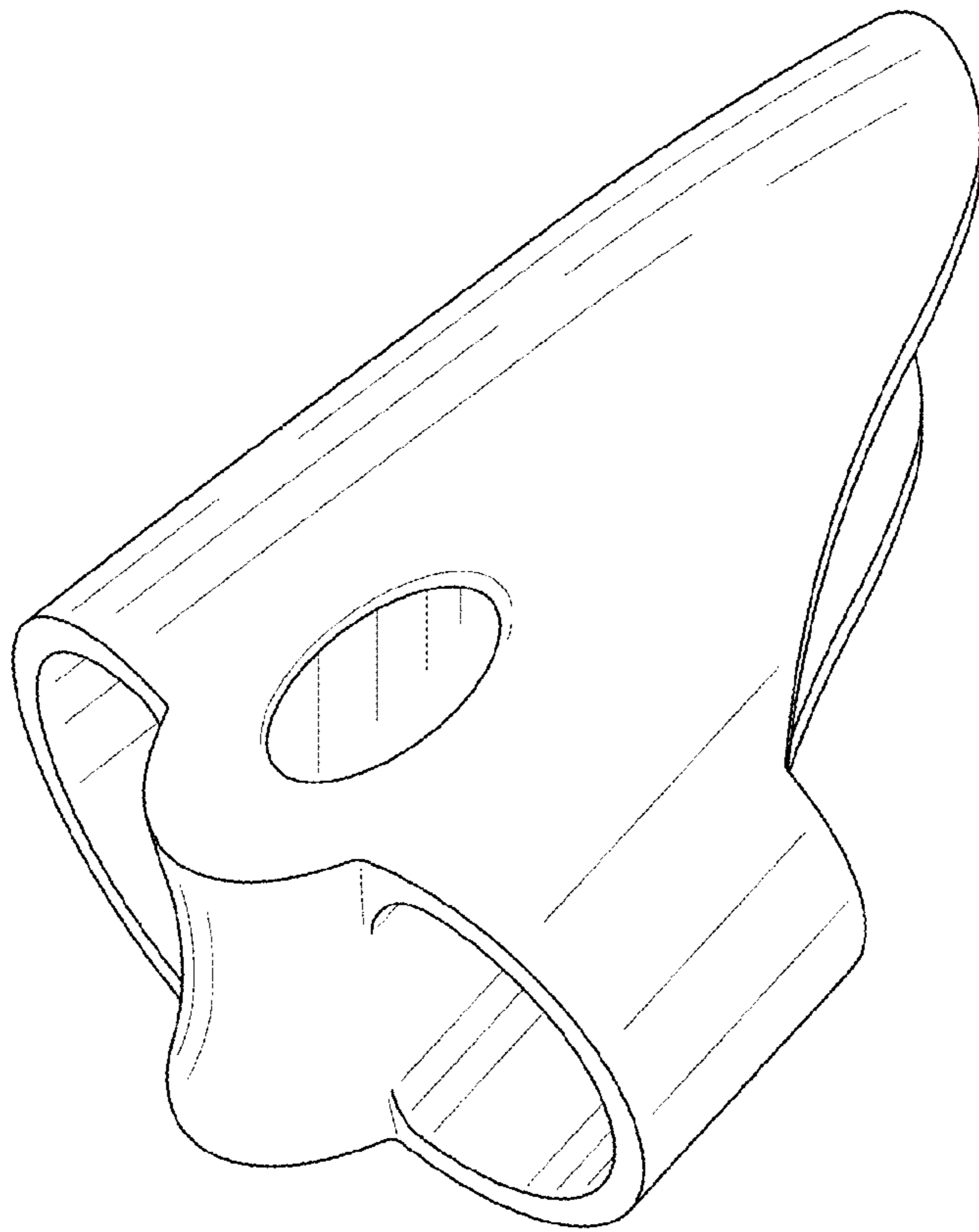


FIG. 1

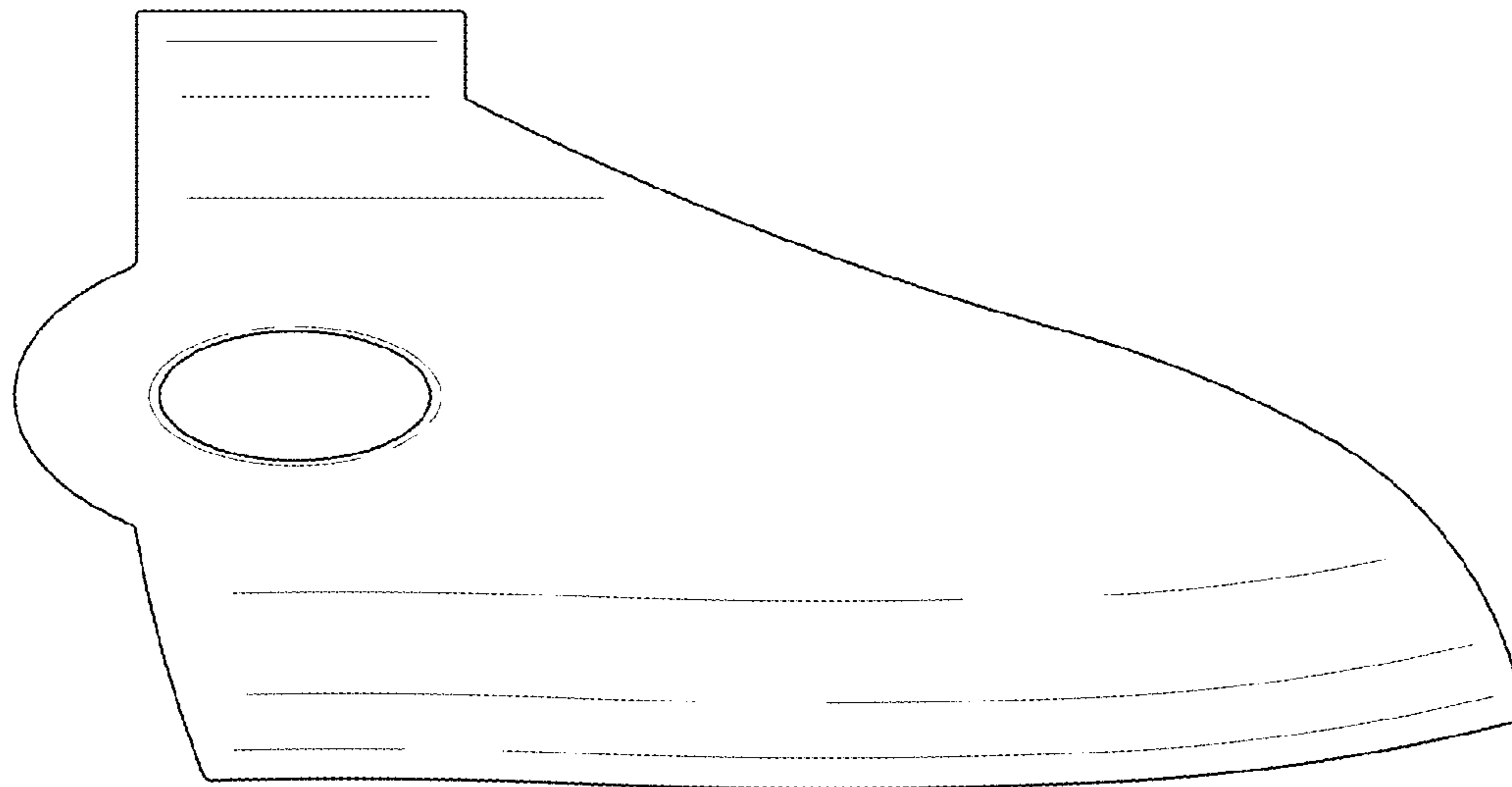


FIG. 2

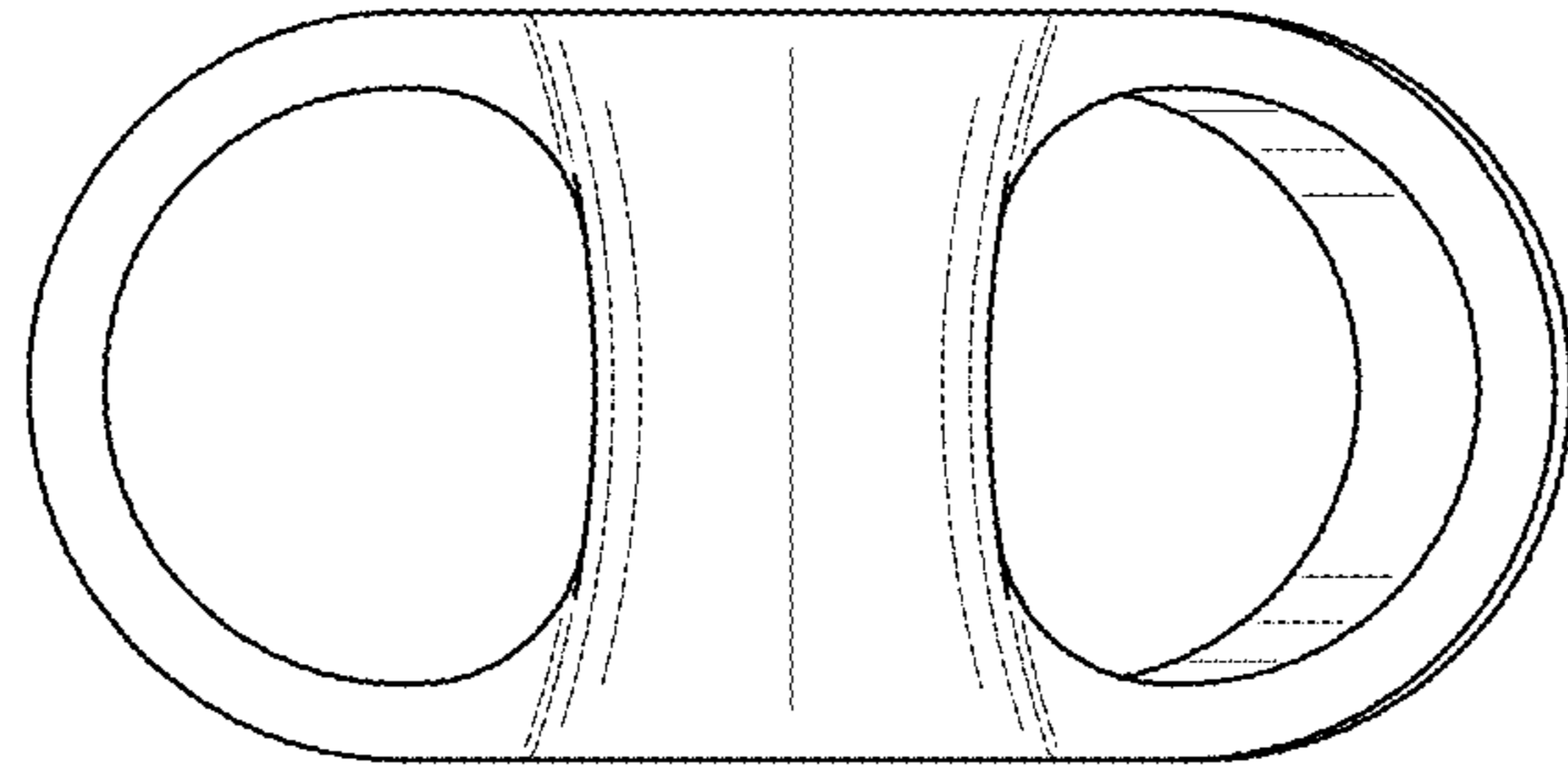


FIG. 3

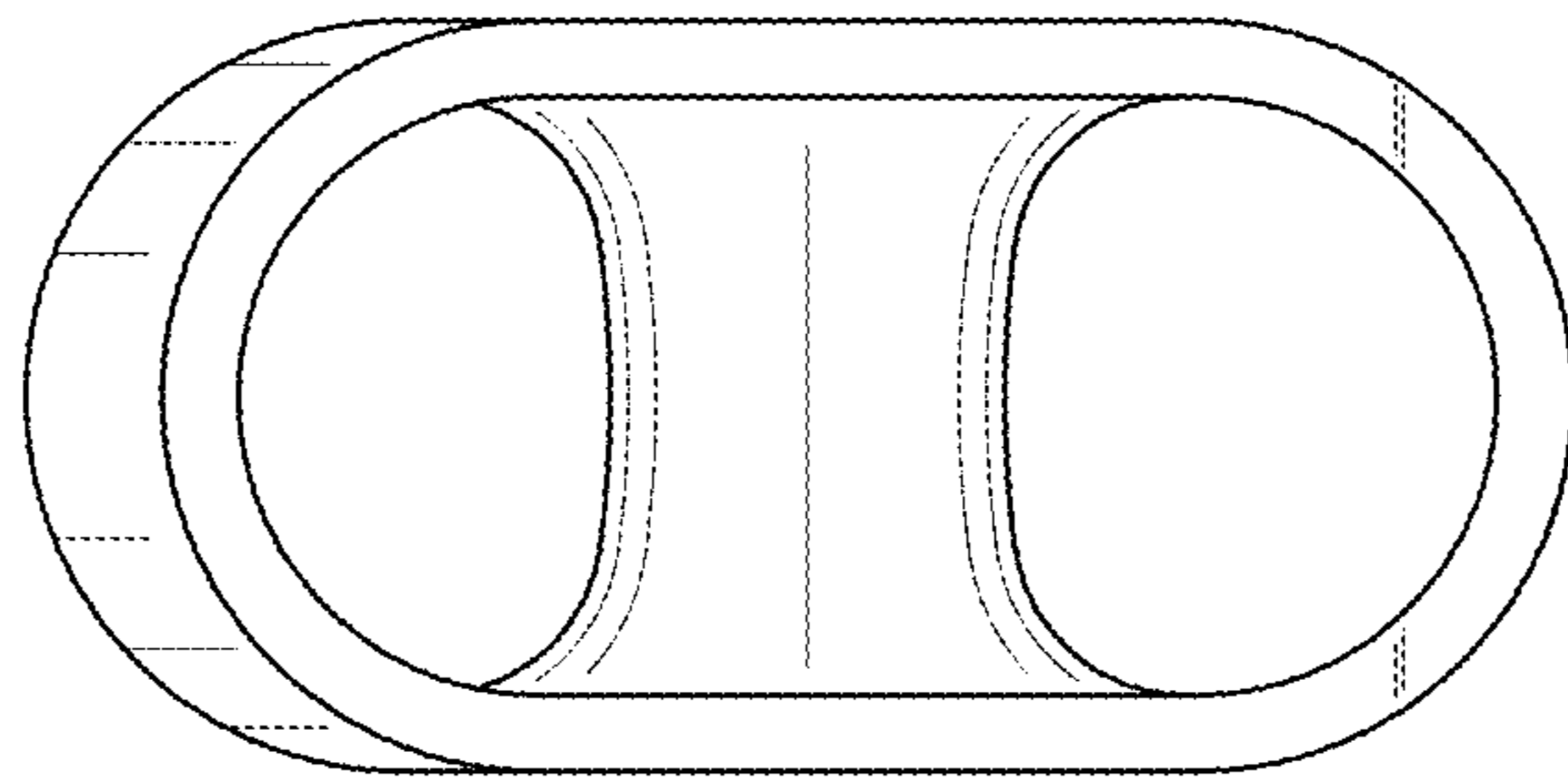


FIG. 4

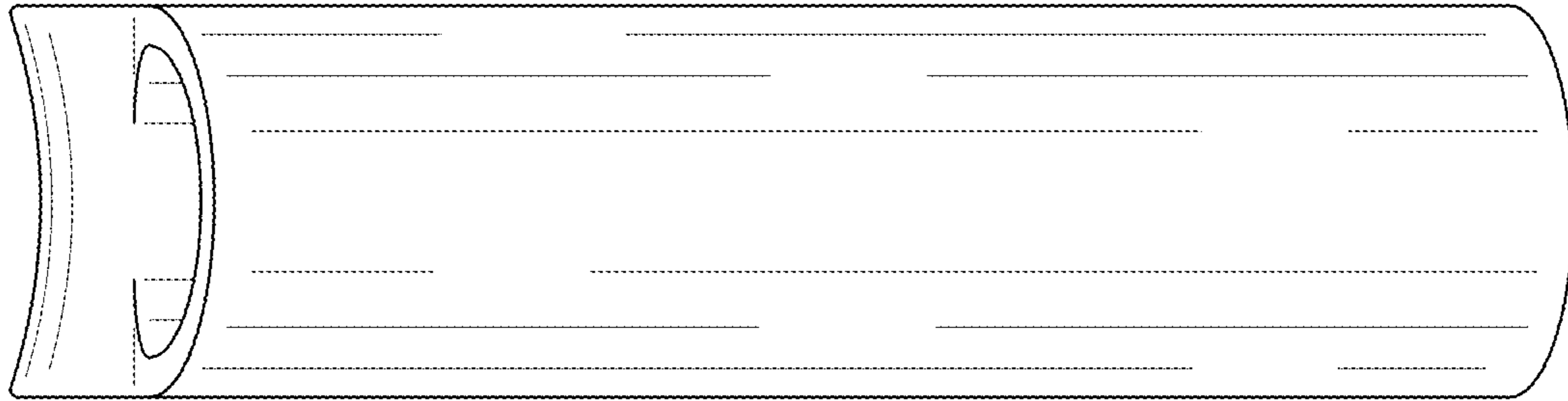


FIG. 5

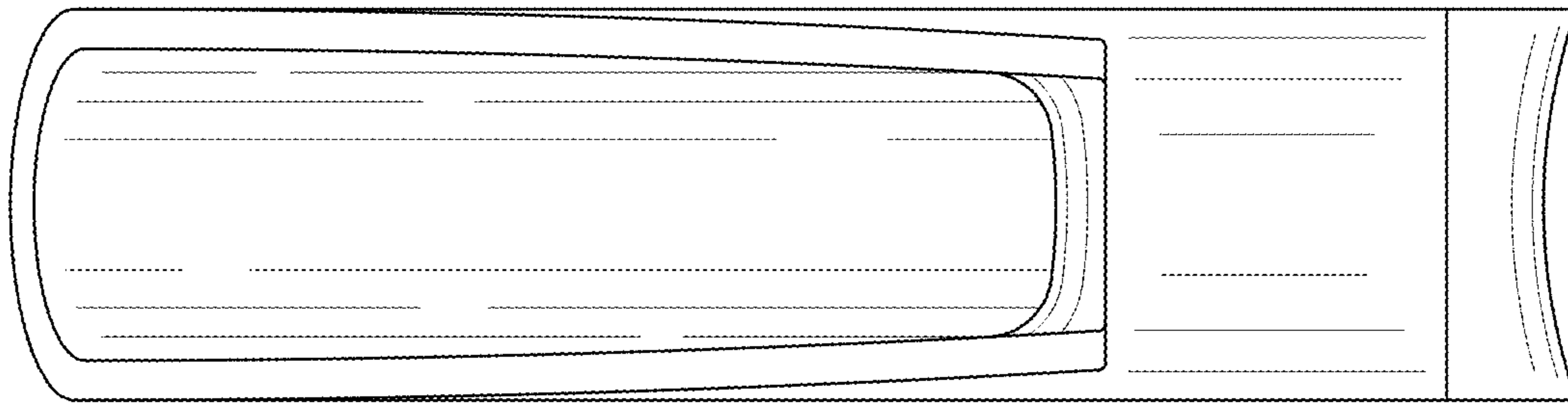


FIG. 6

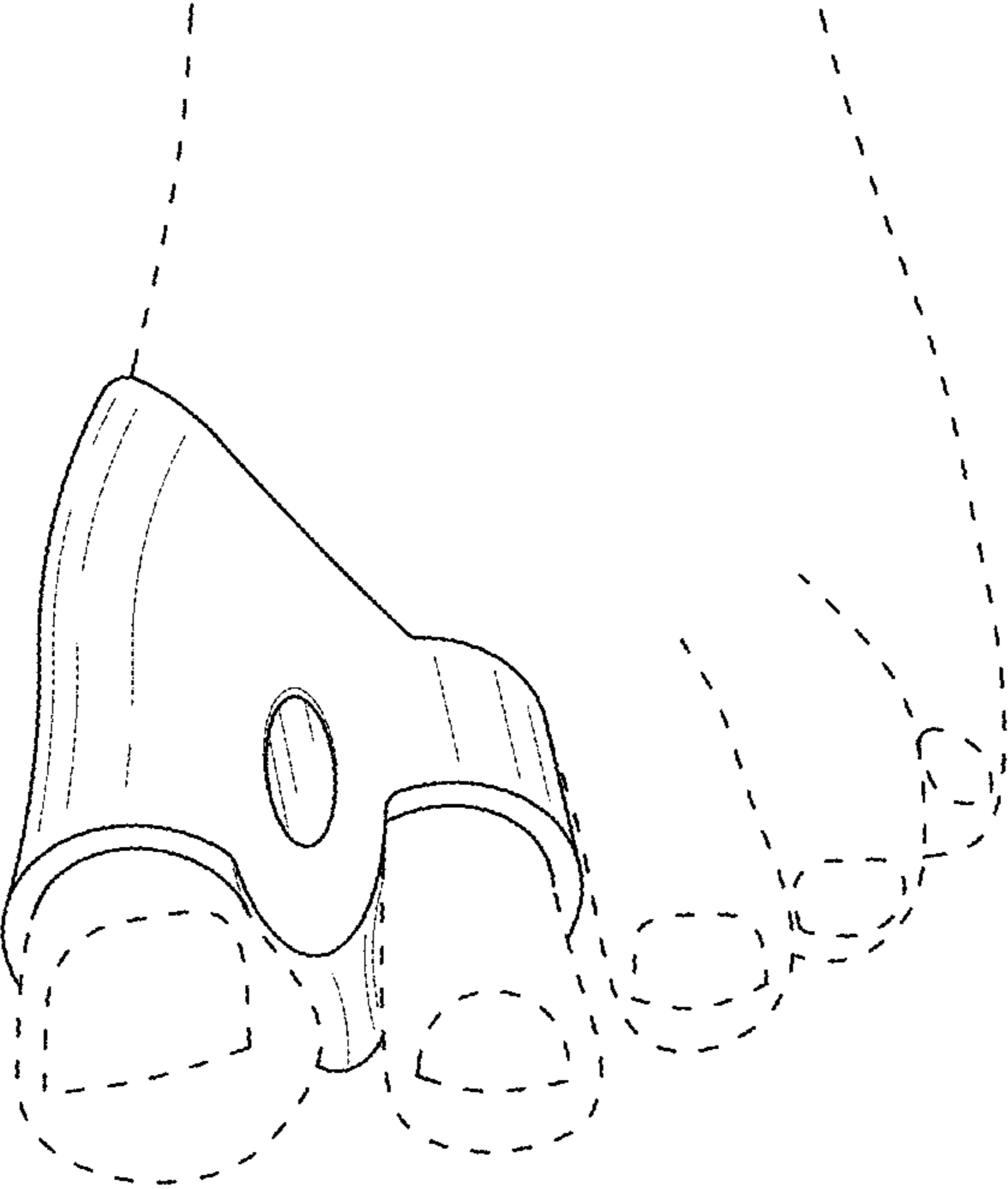


FIG. 7

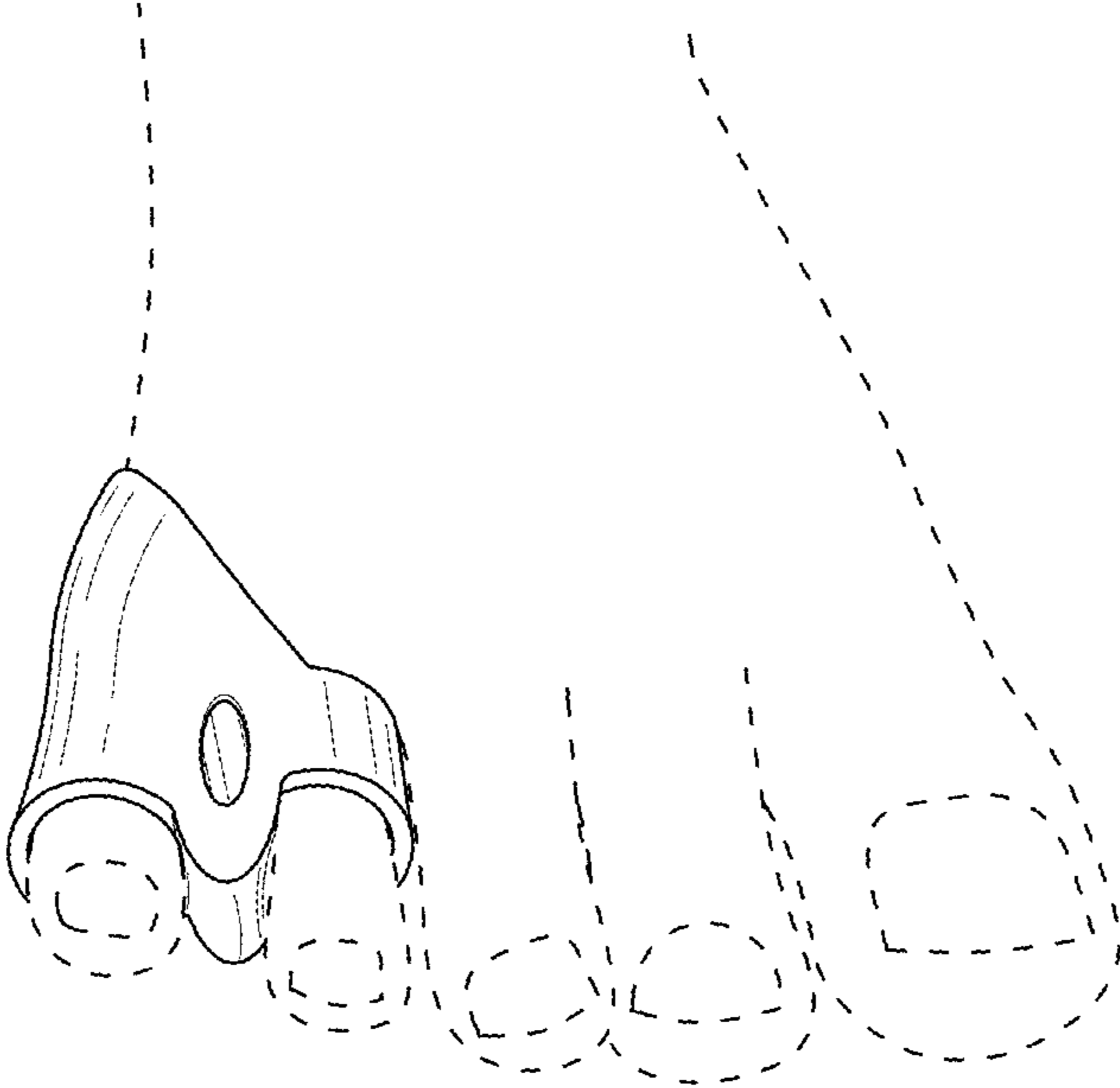


FIG. 8