



US00D940337S

(12) **United States Design Patent**
Zhang

(10) **Patent No.:** **US D940,337 S**

(45) **Date of Patent:** **** Jan. 4, 2022**

(54) **PORTABLE CERVICAL TRACTION DEVICE**

OTHER PUBLICATIONS

(71) Applicant: **Shenzhen Tugou Technology Co., Ltd.**, Shenzhen (CN)

Amazon. Neck Relief Hammock, Head Hammock for Neck Pain, Portable Cervical Traction w/Hammock Stand—Neck Shoulder Support Back Stretcher Device and Relaxation. Jun. 14, 2019. <https://www.amazon.com/Relief-Hammock-Portable-Cervical-Traction/dp/B07RQNHRBV> (Year: 2019).*

(72) Inventor: **Qiao Zhang**, Shenzhen (CN)

(**) Term: **15 Years**

* cited by examiner

(21) Appl. No.: **29/693,382**

(22) Filed: **Jun. 3, 2019**

Primary Examiner — Darcey E Gottschalk

(51) **LOC (13) Cl.** **24-01**

(74) *Attorney, Agent, or Firm* — W&K IP

(52) **U.S. Cl.**

USPC **D24/191**

(58) **Field of Classification Search**

(57) **CLAIM**

USPC D24/187–190, 200, 206, 215, 183, 185,
D24/186, 191

CPC A61F 5/028; A61F 5/055; A61F 5/3738;
A61F 13/108; A61F 13/062

The ornamental design for a portable cervical traction device, as shown and described.

See application file for complete search history.

(56) **References Cited**

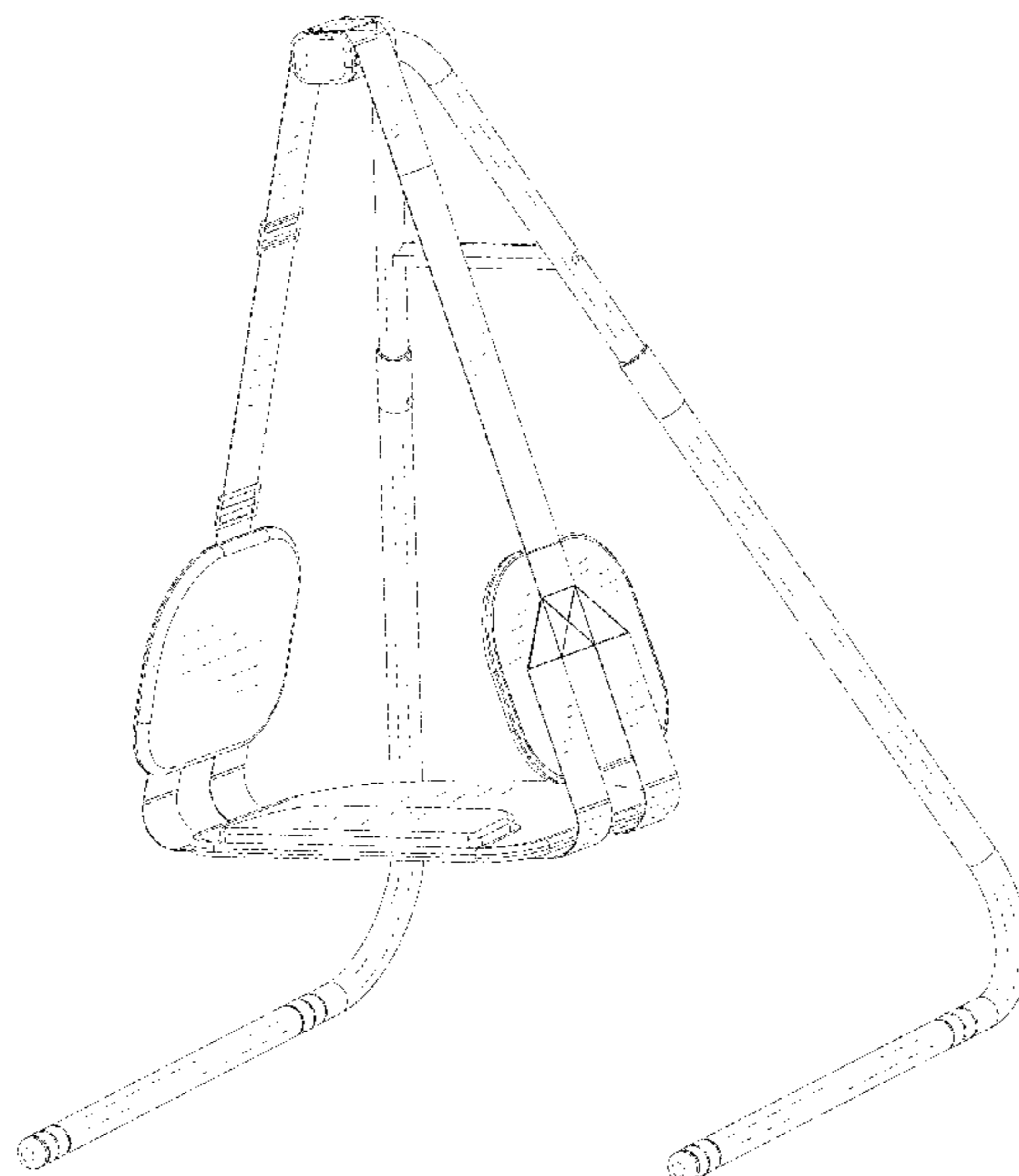
DESCRIPTION

U.S. PATENT DOCUMENTS

4,784,122	A *	11/1988	Graham	A61H 1/0218 602/35
D845,492	S *	4/2019	Sudell	D24/190
D845,493	S *	4/2019	Sudell	D24/190
D845,494	S *	4/2019	Sudell	D24/190
D870,898	S *	12/2019	Sudell	D24/190
D896,975	S *	9/2020	Chen	D24/191
2003/0088200	A1 *	5/2003	Saunders	A61F 5/04 602/32
2010/0222729	A1 *	9/2010	Chin	A61F 5/04 602/32
2014/0188027	A1 *	7/2014	Jaber	A61F 5/042 602/36
2016/0015549	A1 *	1/2016	Thomas	A61H 1/0296 602/36
2016/0151193	A1 *	6/2016	Thomas	A61H 1/0296 602/36

FIG. 1 is a perspective view of a portable cervical traction device showing my new design;
FIG. 2 is second perspective view thereof;
FIG. 3 is third perspective view thereof;
FIG. 4 is fourth perspective view thereof;
FIG. 5 is fifth perspective view thereof;
FIG. 6 is a front view thereof;
FIG. 7 is a rear view thereof;
FIG. 8 is a left side view thereof;
FIG. 9 is a right side view thereof;
FIG. 10 is a top plan view thereof; and,
FIG. 11 is a bottom plan view thereof.
In the drawings, the broken lines show portions of a portable cervical traction device that form no part of the claim.

1 Claim, 11 Drawing Sheets



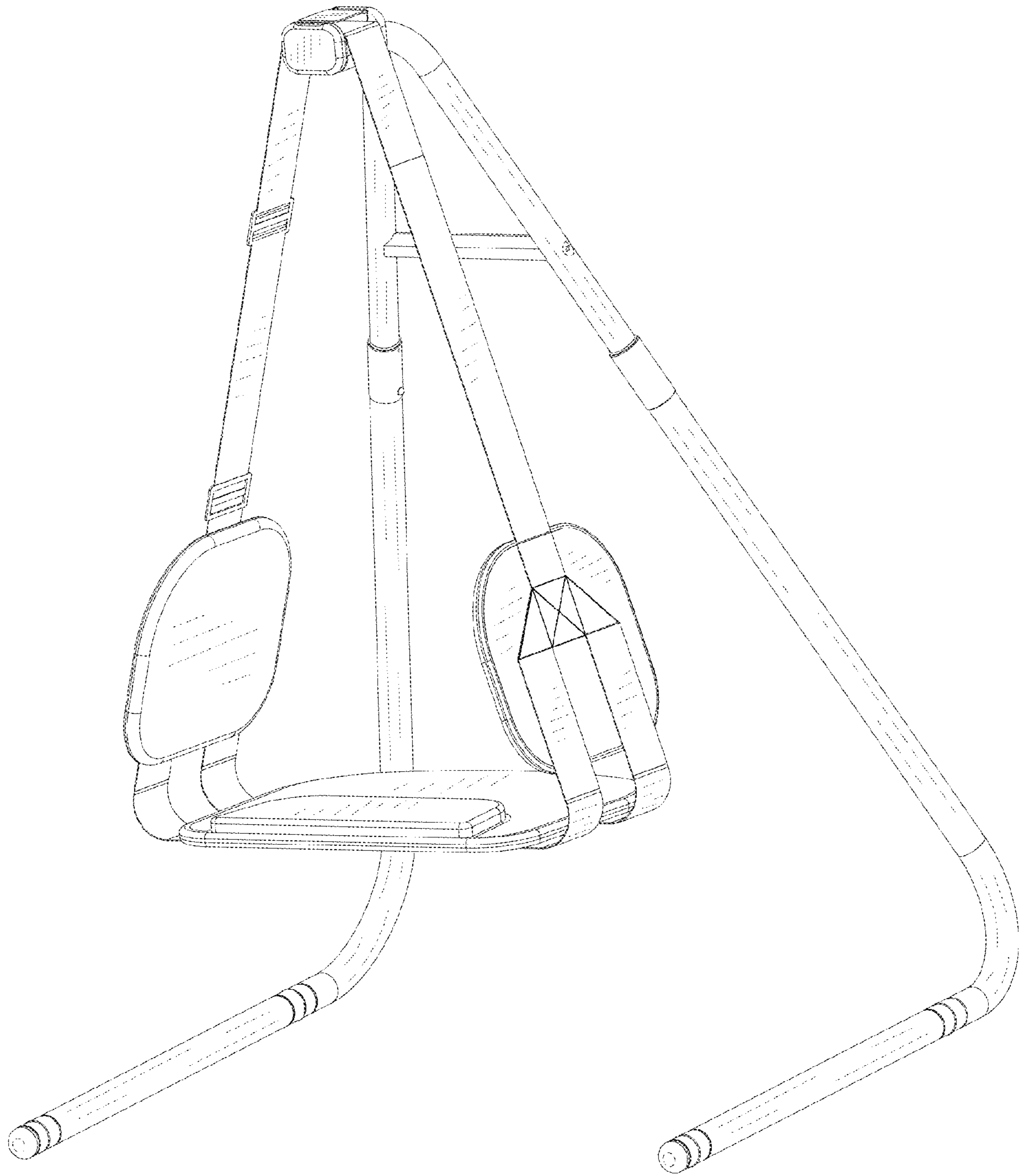


FIG. 1

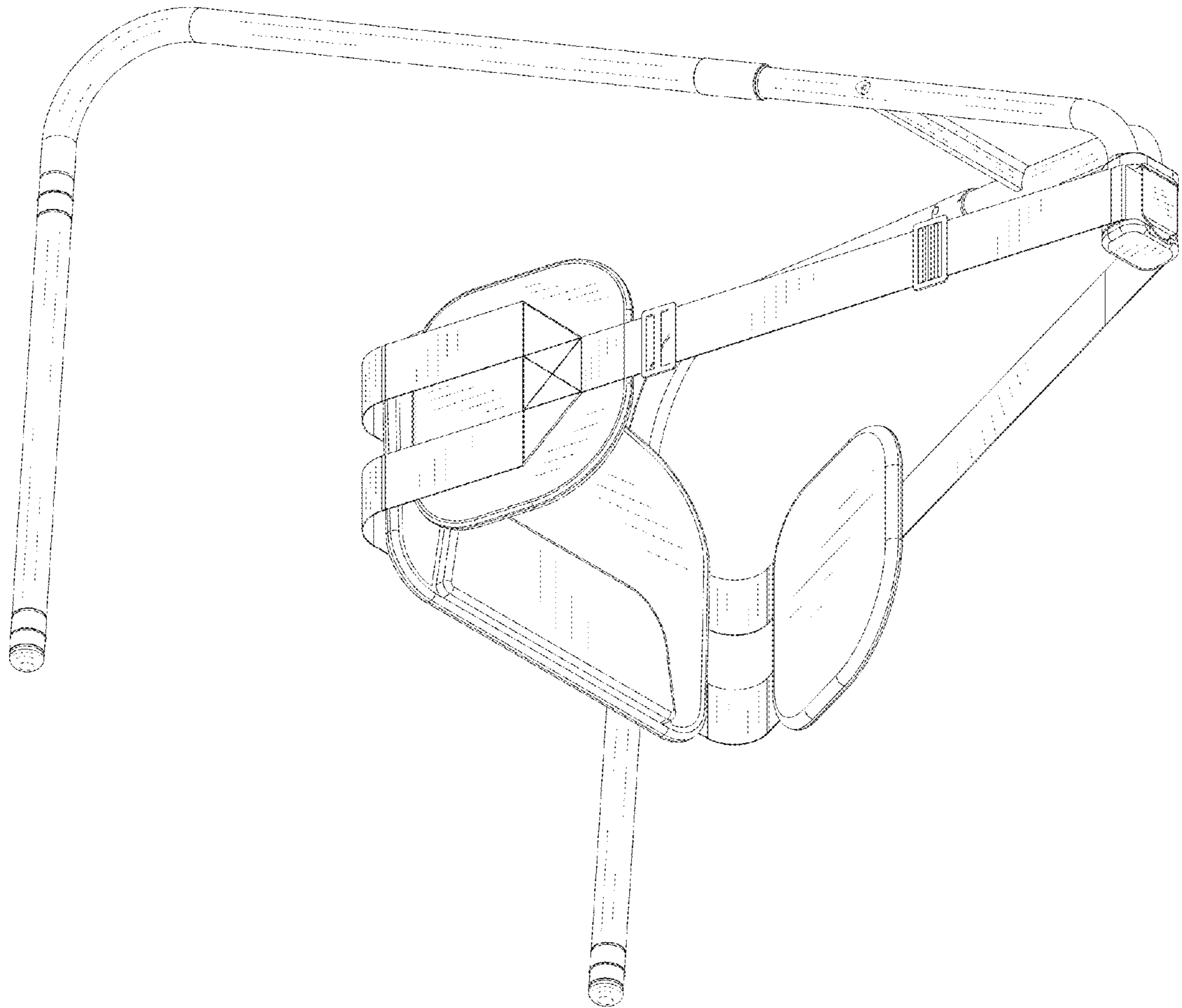


FIG. 2

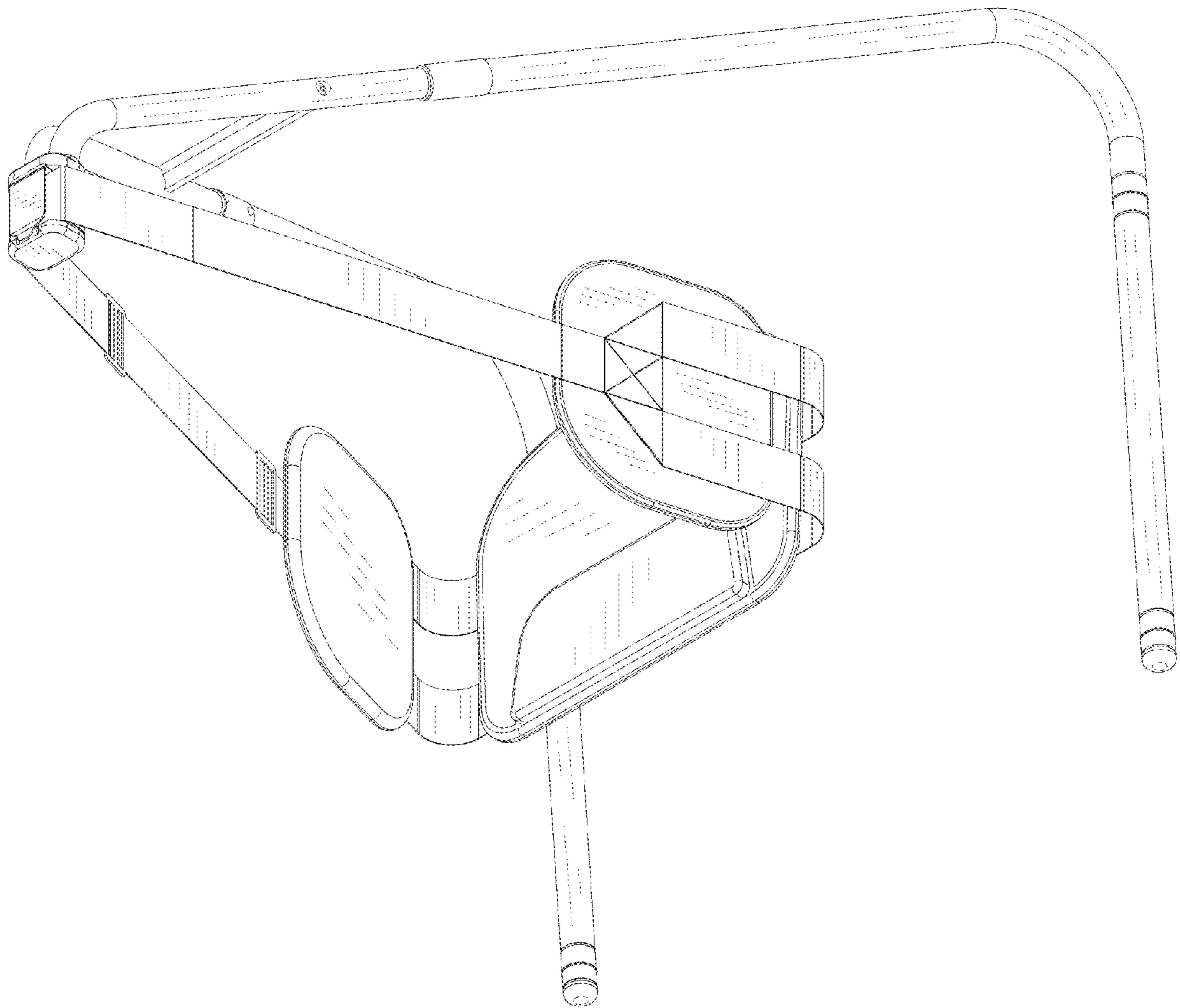


FIG. 3

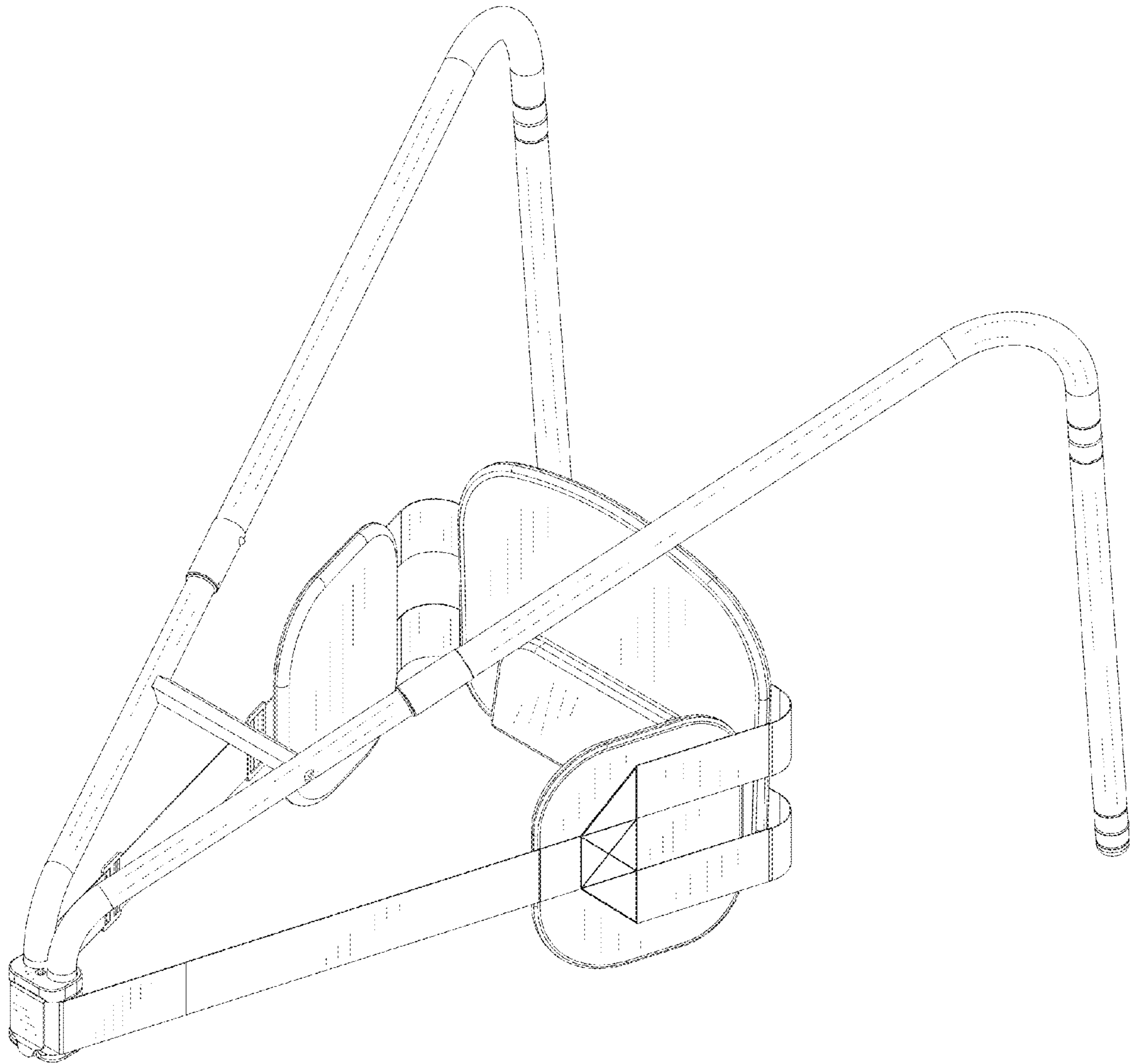


FIG.4

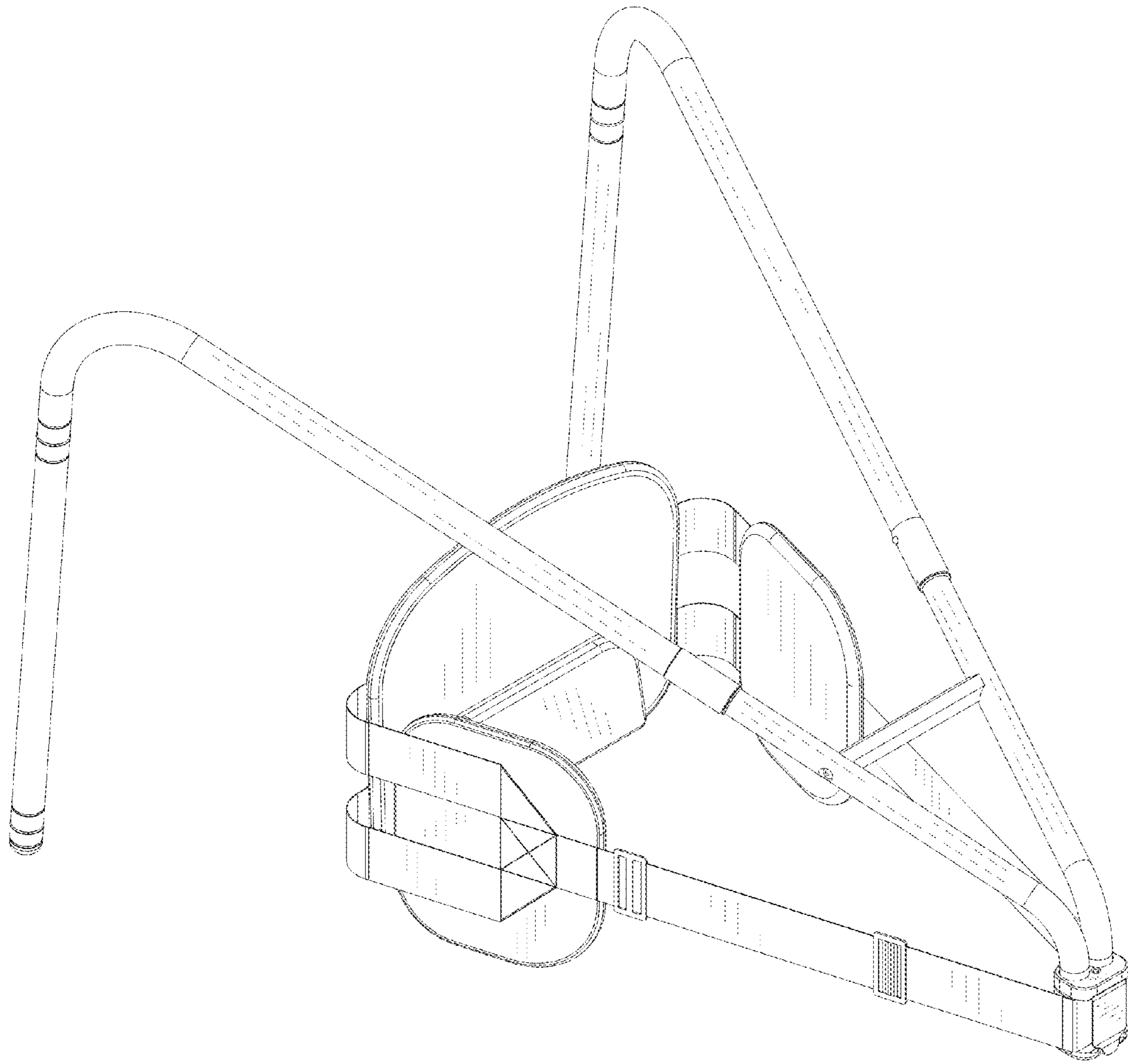


FIG. 5

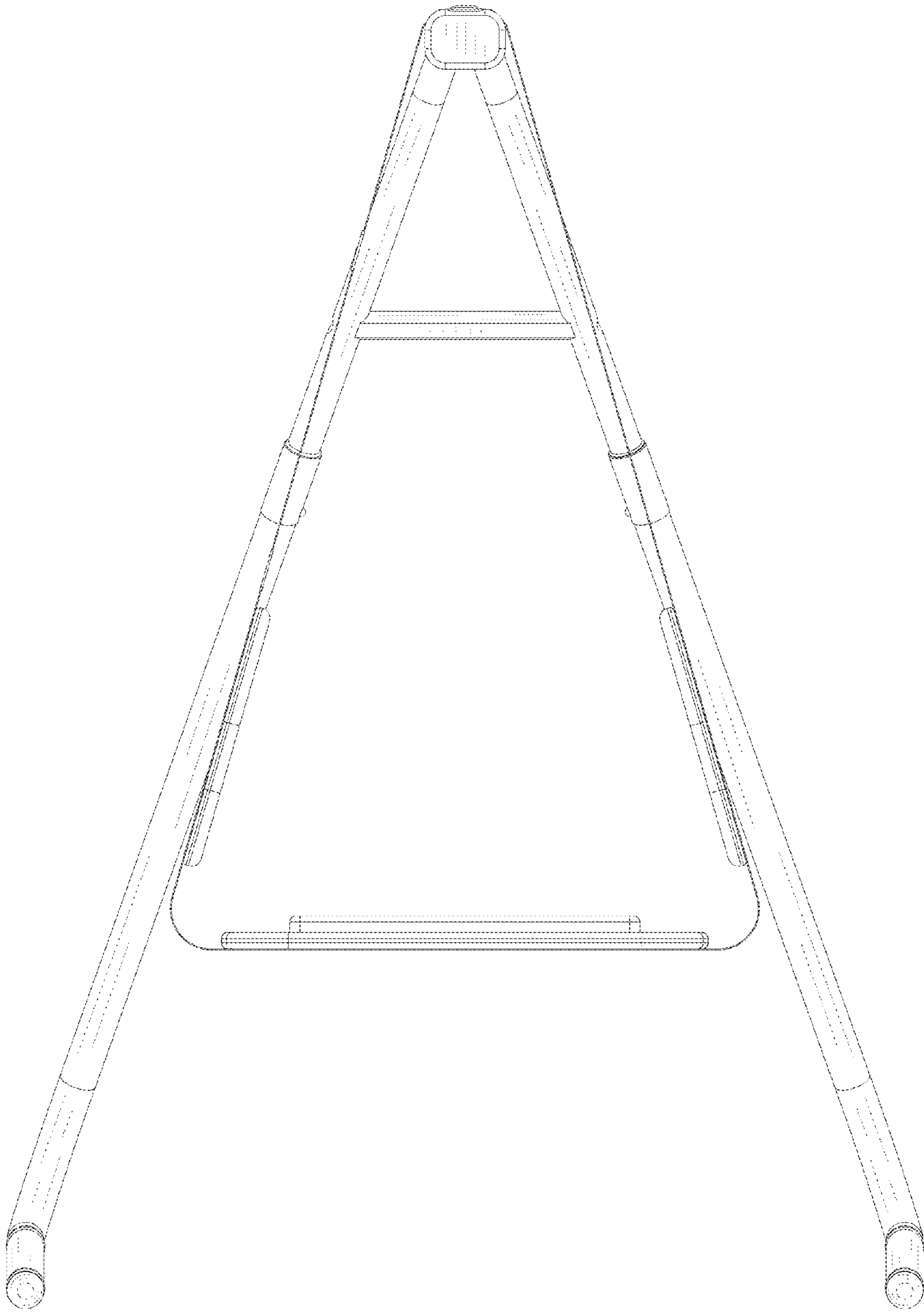


FIG. 6

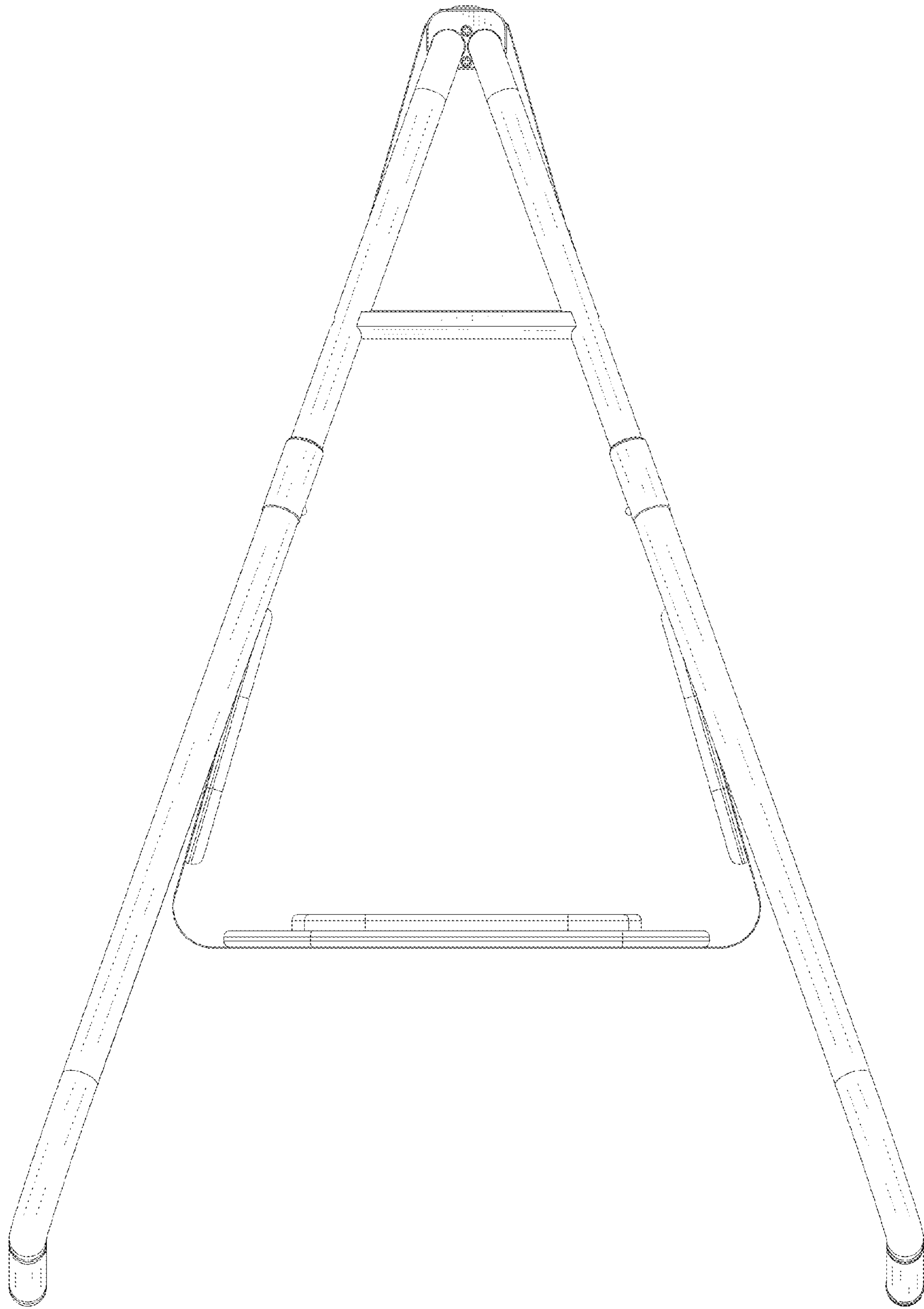


FIG. 7

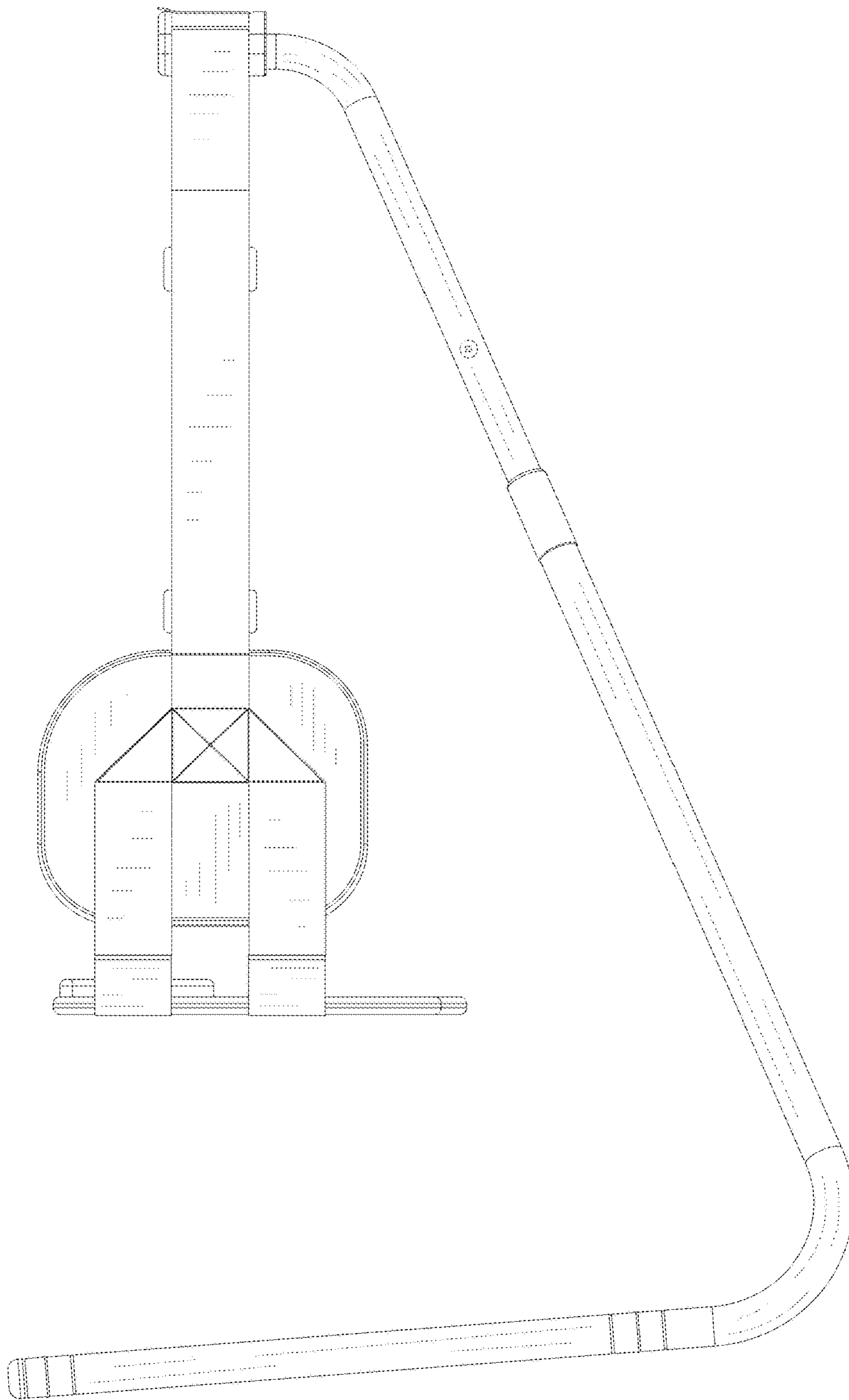


FIG. 8

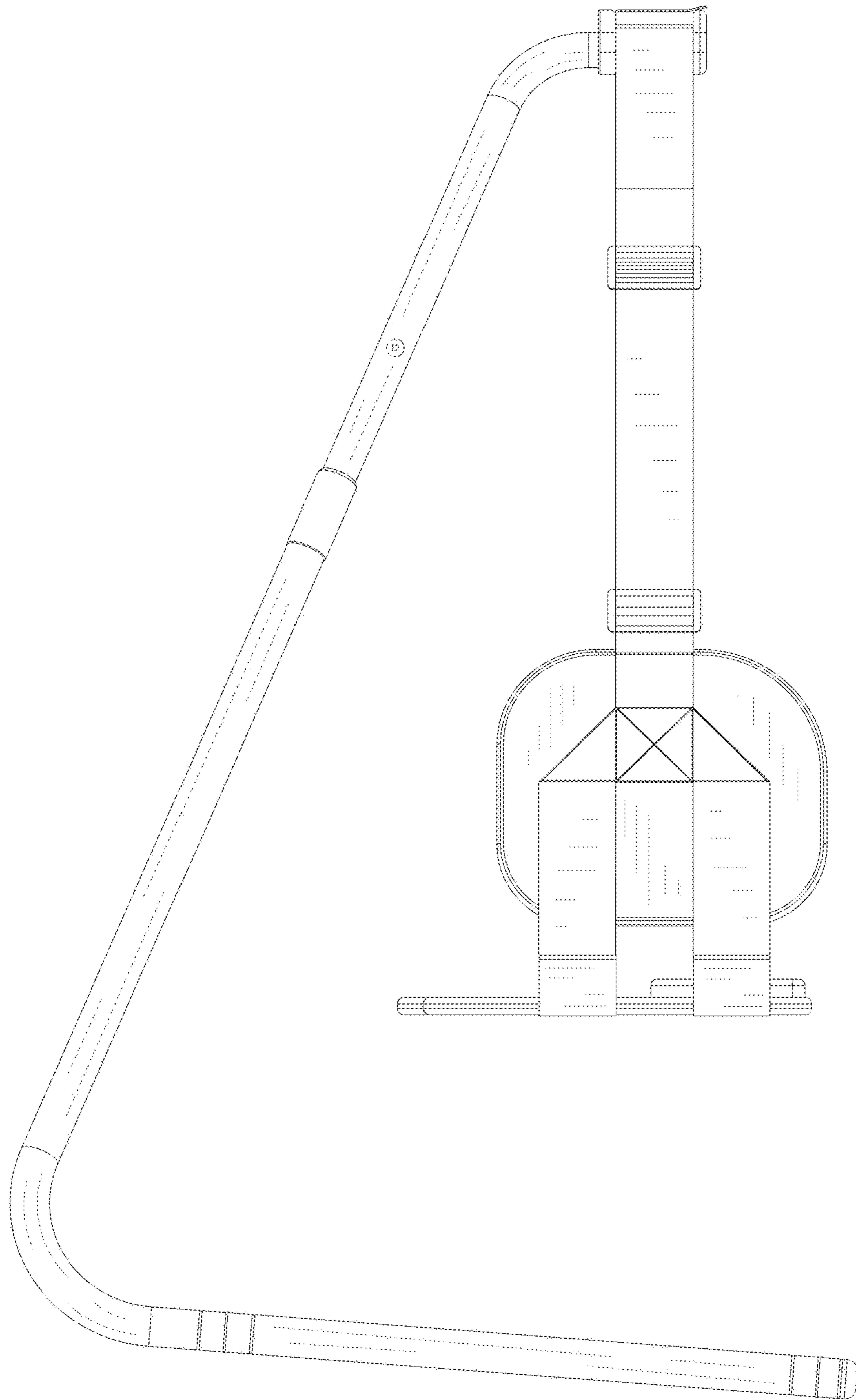


FIG. 9

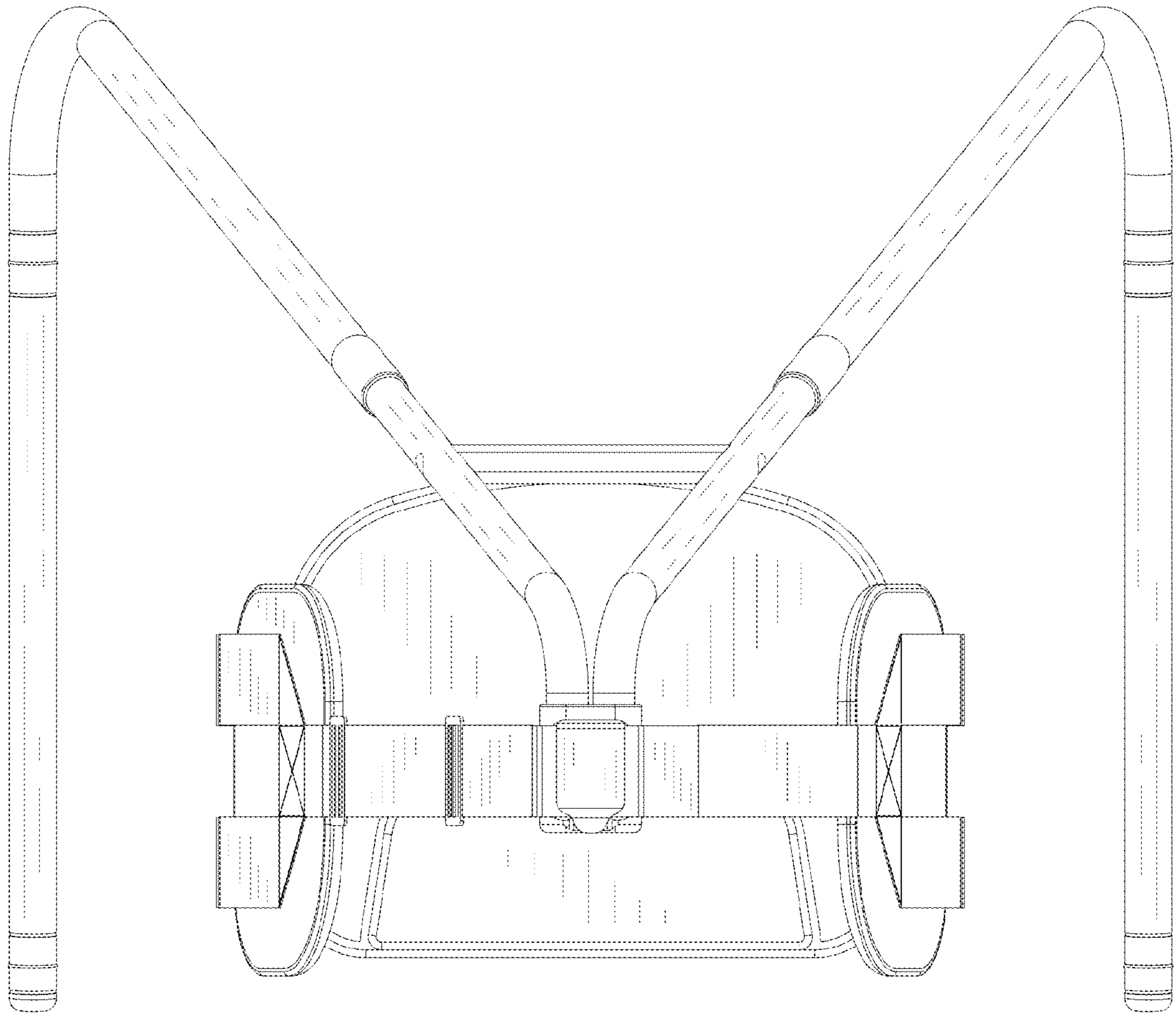


FIG.10

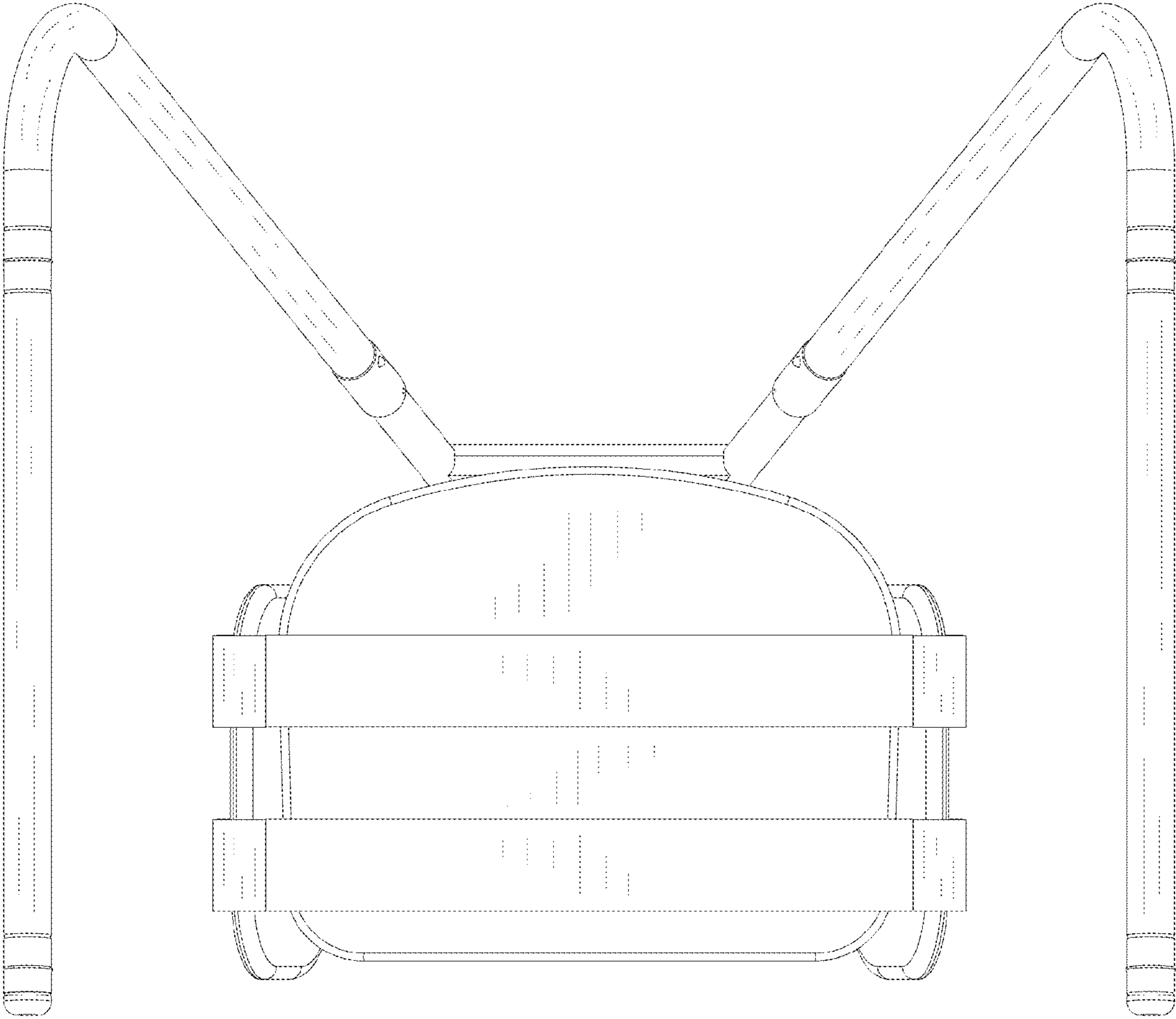


FIG. 11