



US00D940334S

(12) **United States Design Patent**
Weichert et al.

(10) **Patent No.:** **US D940,334 S**
(45) **Date of Patent:** **** Jan. 4, 2022**

(54) **PHYSIOLOGICAL MEASUREMENT DEVICE**

(71) Applicant: **KONINKLIJKE PHILIPS N.V.**,
Eindhoven (NL)

(72) Inventors: **Sven Weichert**, Waalre (NL); **Anne Stas**, Eindhoven (NL); **Stefan Toonen**, Eindhoven (NL)

(73) Assignee: **KONINKLIJKE PHILIPS N.V.**,
Eindhoven (NL)

(**) Term: **15 Years**

(21) Appl. No.: **29/745,656**

(22) Filed: **Aug. 7, 2020**

(30) **Foreign Application Priority Data**

Feb. 7, 2020 (EM) 007673140

(51) **LOC (13) Cl.** **24-02**

(52) **U.S. Cl.**
USPC **D24/186**

(58) **Field of Classification Search**
USPC D24/107, 165-169, 186, 187, 200, 189;
D10/70, 98; D14/341, 344
CPC A61B 5/006; A61B 5/0245; A61B 5/346;
A61B 5/332; A61B 5/6833; A61B 5/257;
A61B 5/256; A61B 2560/0412; A61B
2560/0462; A61B 5/0205; A61B 5/02405;
A61B 5/02438; A61B 5/6823; A61B
5/6824; A61B 5/68335; A61B 2562/18;
A61B 2562/0209
See application file for complete search history.

(56) **References Cited**

U.S. PATENT DOCUMENTS

D821,595 S * 6/2018 Ito D24/200
D846,748 S * 4/2019 Benedikter D24/186

D852,965 S * 7/2019 Bahney A61B 5/6833
D24/186
D854,162 S * 7/2019 Rihu D24/167
D874,659 S * 2/2020 Wetmore D24/187
D877,306 S * 3/2020 Liu D24/189
D886,303 S * 6/2020 Huang D24/187
D890,347 S * 7/2020 Chang D24/167
D898,924 S * 10/2020 Hinds D24/189
D910,187 S * 2/2021 Benedikter D24/186
D914,218 S * 3/2021 Govari D24/186
2016/0120434 A1 * 5/2016 Park A61B 5/335
600/301
2021/0007623 A1 * 1/2021 Sano A61B 5/282

FOREIGN PATENT DOCUMENTS

CN 201830572528.5 * 3/2019

* cited by examiner

Primary Examiner — Anhdao Doan

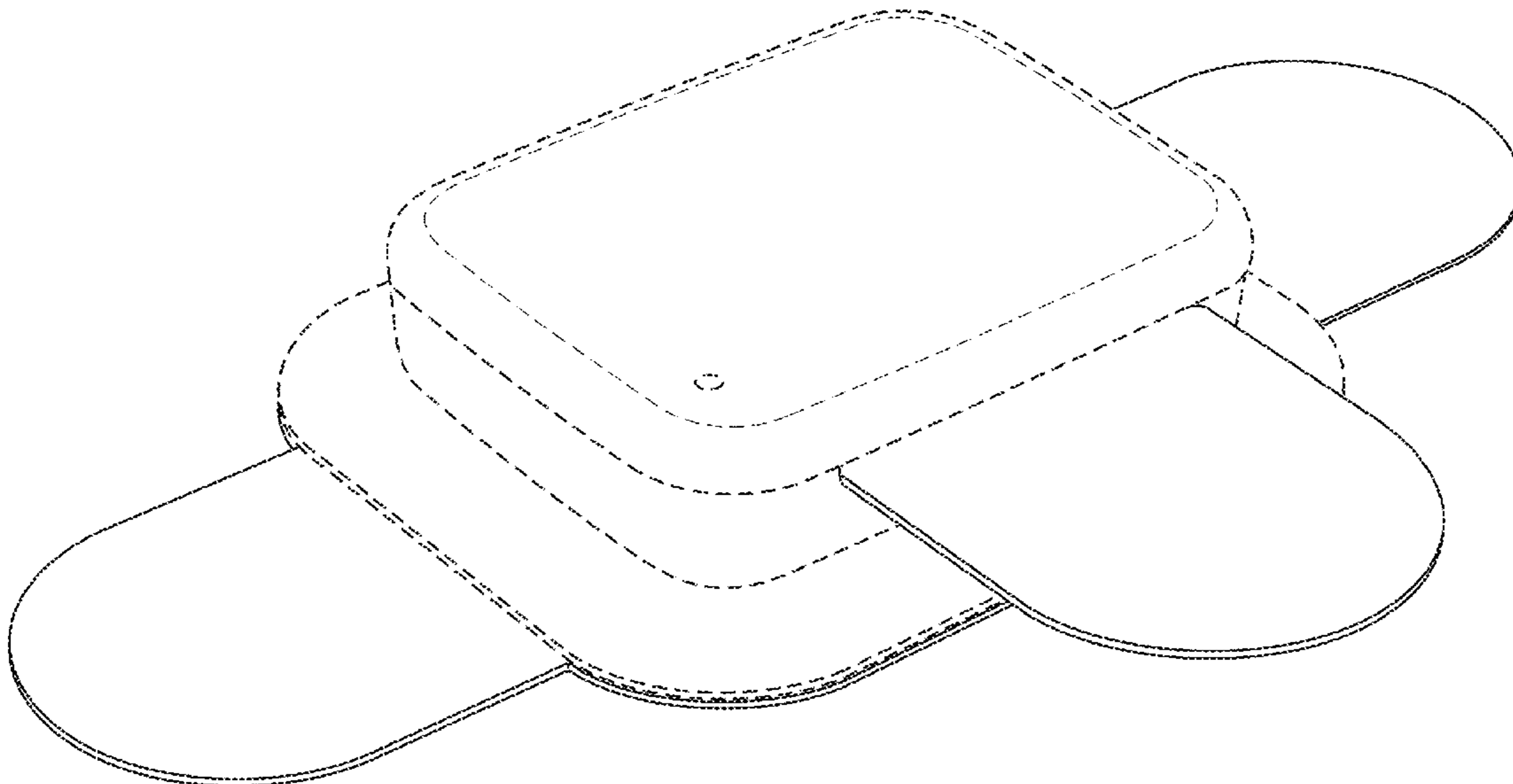
(57) **CLAIM**

The ornamental design for a physiological measurement device, as shown and described.

DESCRIPTION

FIG. 1 is a perspective view showing a physiological measurement device design;
FIG. 2 is a front elevational view thereof;
FIG. 3 is a rear elevational view thereof;
FIG. 4 is a right side elevational view thereof;
FIG. 5 is a left side elevational view thereof;
FIG. 6 is a top plan view thereof; and,
FIG. 7 is a bottom plan view thereof.
The broken lines illustrate portions of the physiological measurement device that form no part of the claimed design.

1 Claim, 7 Drawing Sheets



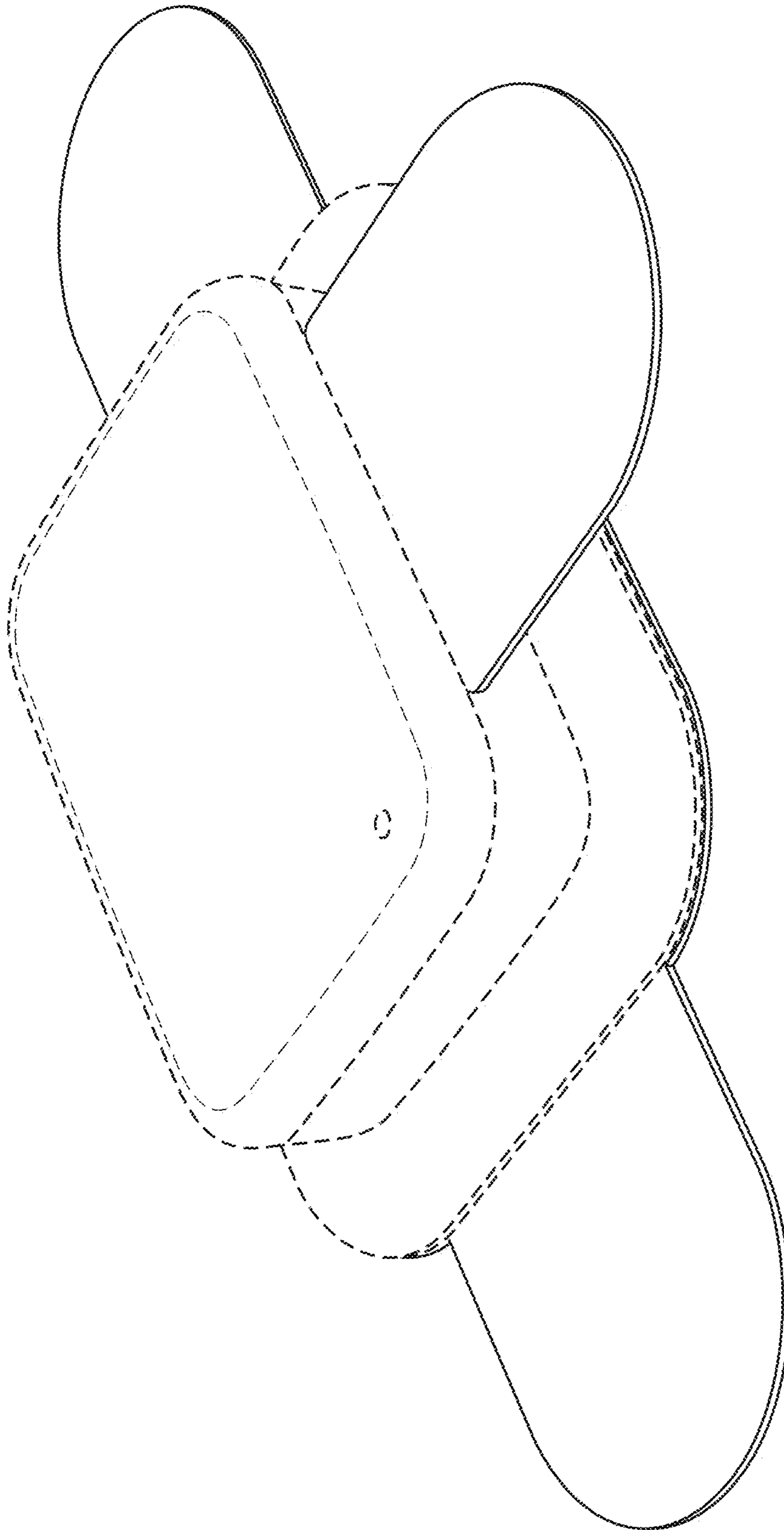


FIG. 1

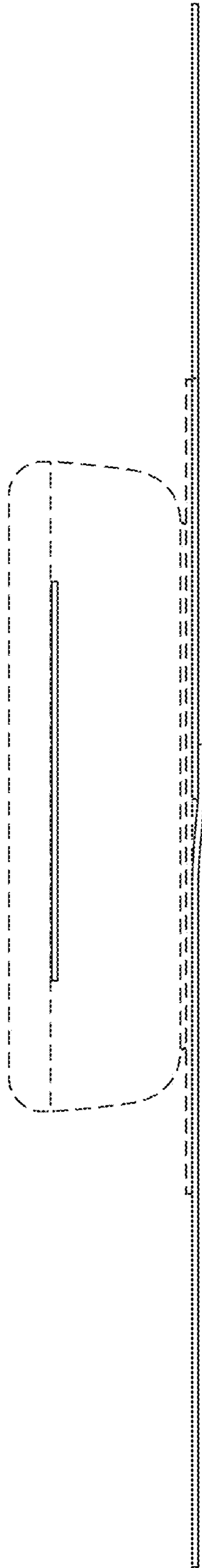


FIG. 2

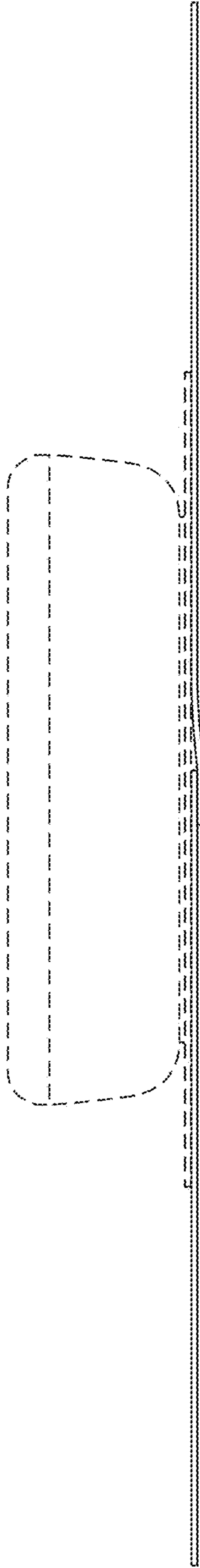


FIG. 3

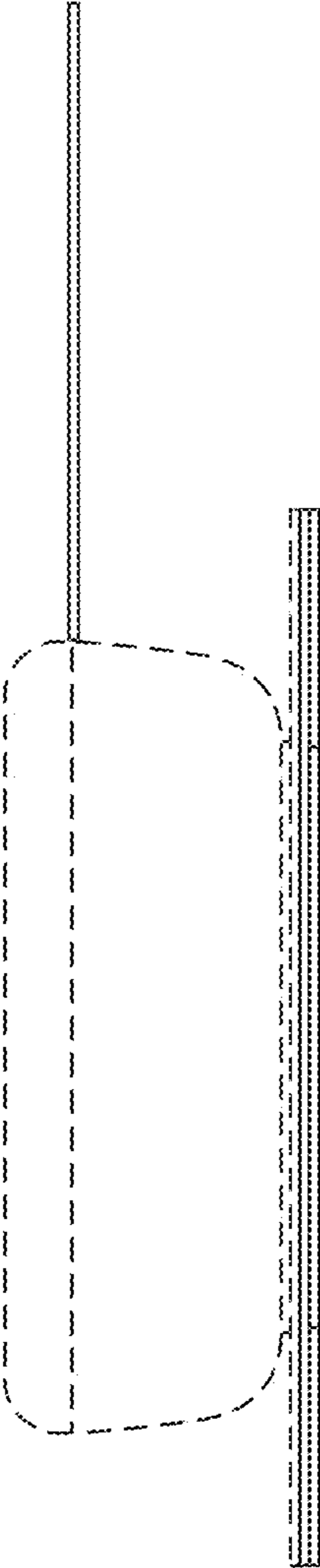


FIG. 4

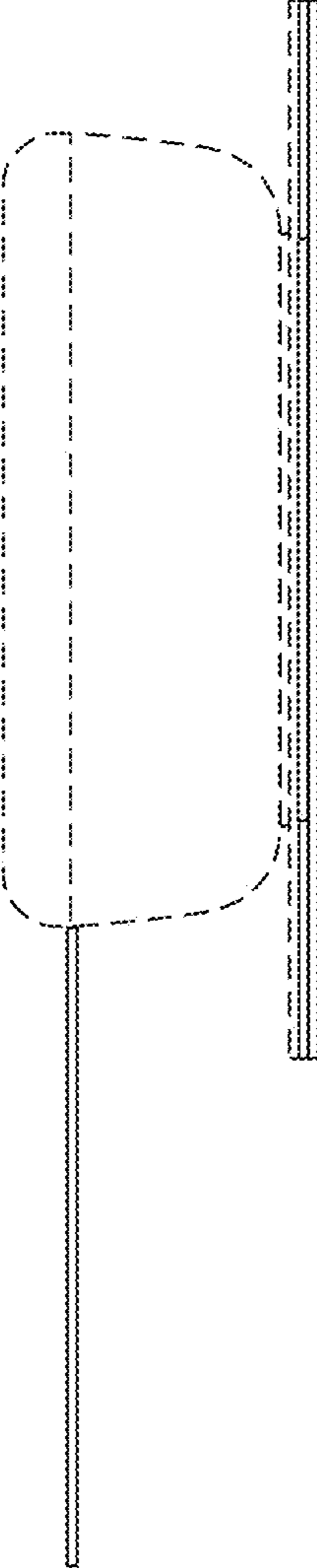


FIG. 5

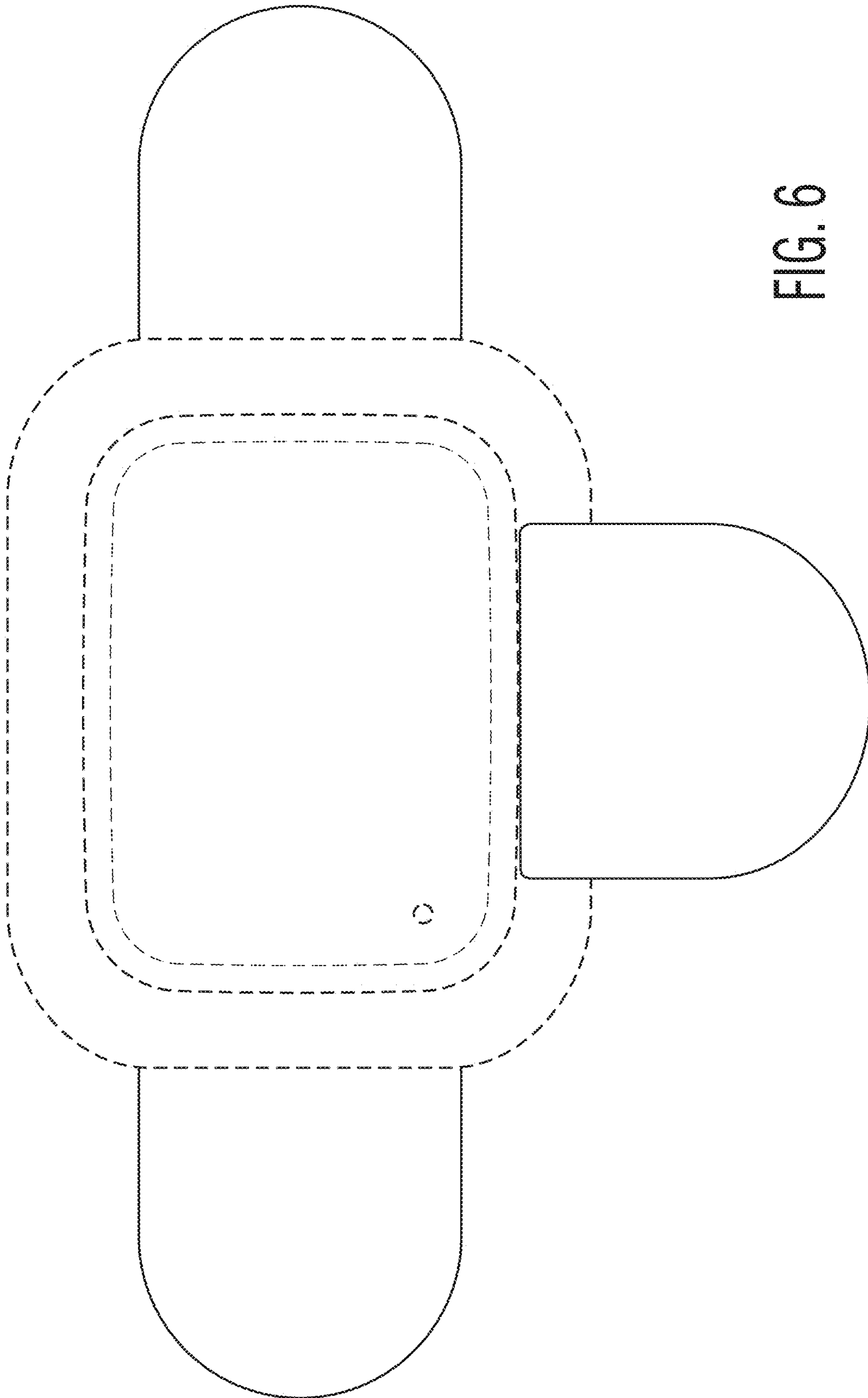


FIG. 6

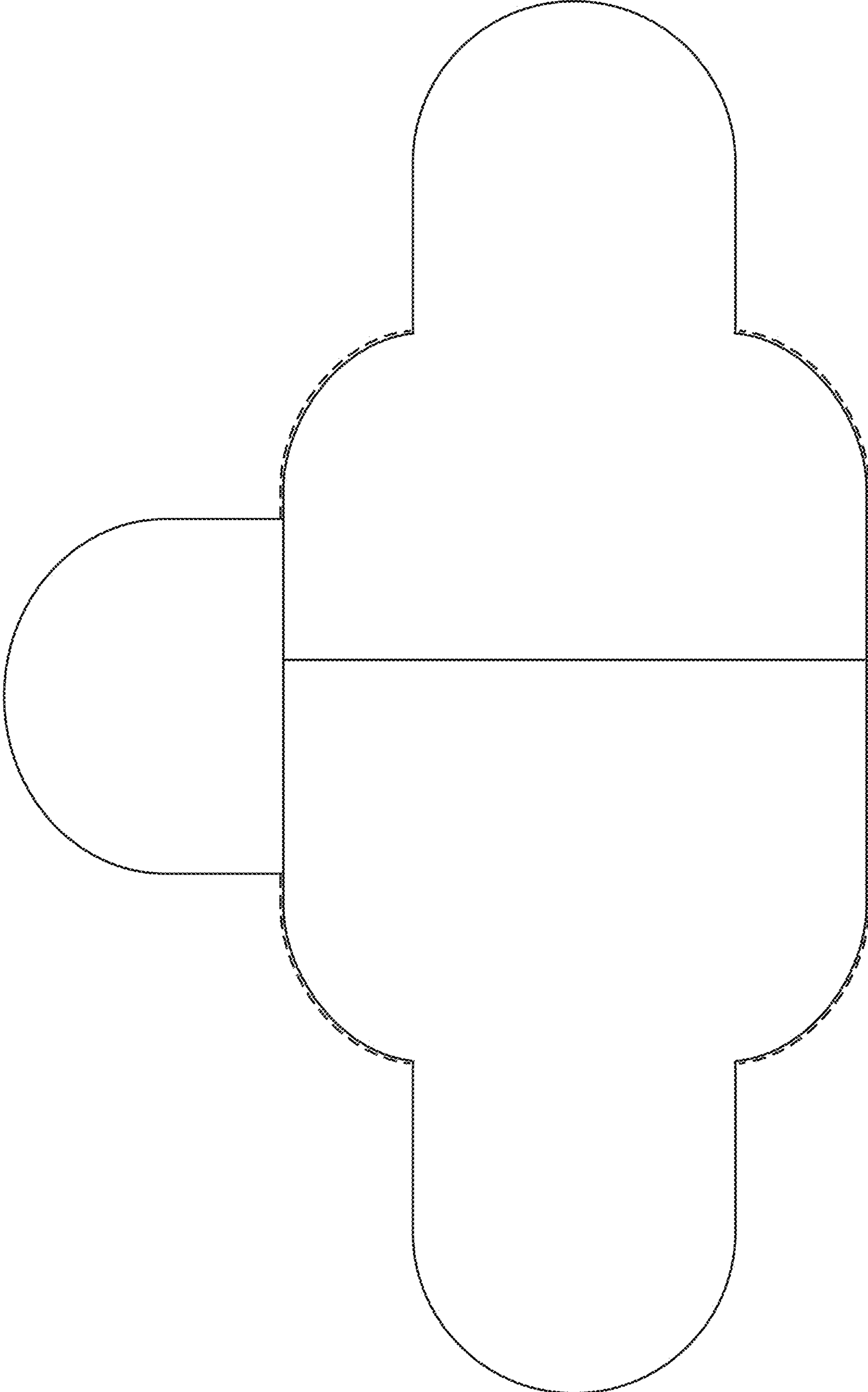


FIG. 7