



(12) **United States Design Patent**
Räisänen et al.

(10) **Patent No.:** **US D940,330 S**
(45) **Date of Patent:** **** Jan. 4, 2022**

(54) **BODY SENSOR**
(71) Applicant: **Emfit Oy**, Vaajakoski (FI)
(72) Inventors: **Heikki Räisänen**, Oulainen (FI); **Anu Suomalainen**, Piikkiö (FI)
(73) Assignee: **EMFIT OY**, Vaajakoski (FI)
(**) Term: **15 Years**
(21) Appl. No.: **29/694,409**
(22) Filed: **Jun. 10, 2019**
(51) **LOC (13) Cl.** **24-02**
(52) **U.S. Cl.**
USPC **D24/186; D10/70**
(58) **Field of Classification Search**
USPC D24/107, 164–169, 185, 186, 187, 200;
D10/70; D14/344
CPC A61B 5/00004; A61B 5/14532; A61B
5/1473; A61B 5/6833; A61B 5/688; A61B
2560/0412; A61B 2560/0462; A61B
2560/063
See application file for complete search history.

(56) **References Cited**

U.S. PATENT DOCUMENTS

D659,037 S * 5/2012 Madsen D10/65
D701,964 S * 4/2014 Yoneta D24/187
D726,567 S * 4/2015 De Jong D10/98
9,183,738 B1 * 11/2015 Allen, Sr. A61B 5/01
D814,042 S * 3/2018 Chan D24/186
D854,760 S * 7/2019 Mott D30/152
D855,191 S * 7/2019 Hong D24/186
D865,546 S * 11/2019 Kellock D10/70
D866,367 S * 11/2019 Yu D10/70
D870,291 S * 12/2019 Barry D24/169
D881,874 S * 4/2020 Sobol D14/344
D886,303 S * 6/2020 Huang D24/187
D891,425 S * 7/2020 Lin D14/344
D896,391 S * 9/2020 Moriguchi D24/186

D901,317 S * 11/2020 Nothacker D10/70
D908,882 S * 1/2021 De Marco D24/165
D912,666 S * 3/2021 Bournique D14/344
D915,229 S * 4/2021 King D10/70
D915,398 S * 4/2021 Yu D14/344
D918,070 S * 5/2021 Franco D10/70
D931,468 S * 9/2021 Huang D24/186
2005/0176136 A1 * 8/2005 Burd A61B 5/14865
435/287.2
2008/0114220 A1 * 5/2008 Banet A61B 5/6833
600/301
2016/0095548 A1 * 4/2016 Al-Ali A61B 5/291
600/301
2016/0228060 A1 * 8/2016 Mazar A61B 5/6833
2016/0317048 A1 * 11/2016 Chan A61B 5/14551
(Continued)

OTHER PUBLICATIONS

FIVIS Wearable Sensor Belt on Behance, 2019; 2 pgs.; <https://www.behance.net/gallery/90657951/FIVIS-Wearable-Sensor-Belt>.*

(Continued)

Primary Examiner — Selina Sikder

(74) *Attorney, Agent, or Firm* — Hassan Abbas Shakir; Shakir Law PLLC

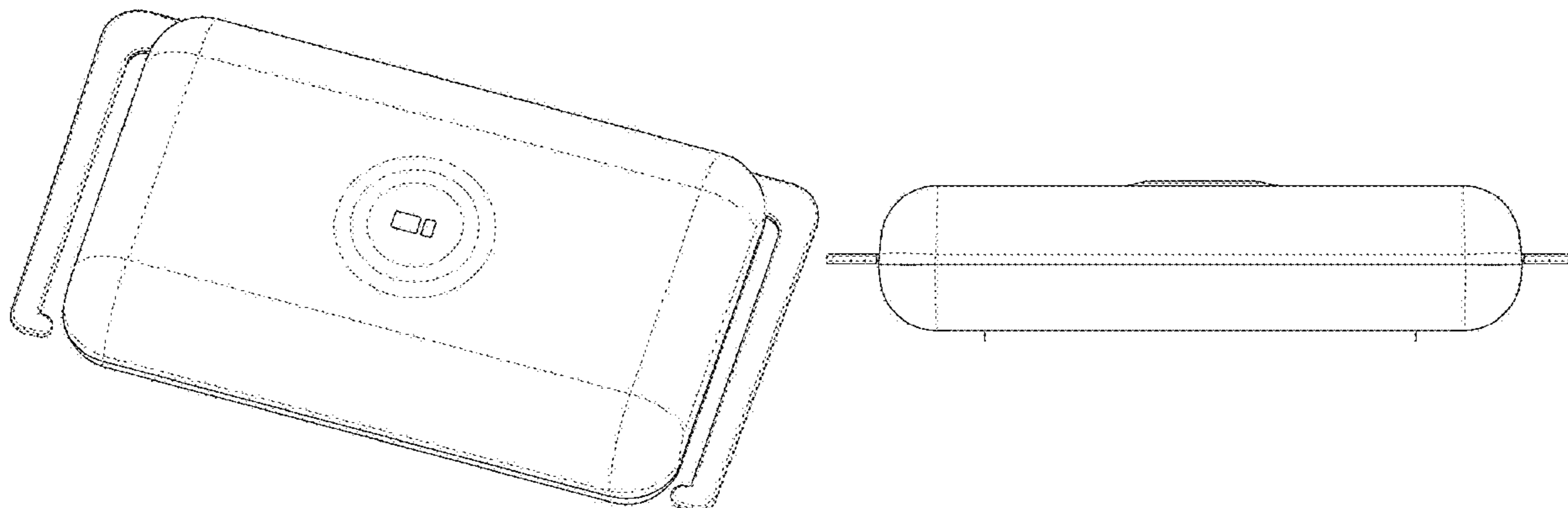
(57) **CLAIM**

The ornamental design of a body sensor, as shown and described.

DESCRIPTION

FIG. 1 is a front isometric view of the body sensor, FIG. 2 is a rear isometric view of the body sensor, FIG. 3 is a front view of the body sensor, FIG. 4 is a rear view of the body sensor, FIG. 5 is a left-side view of the body sensor, FIG. 6 is a right-side view of the body sensor, FIG. 7 is a top view of the body sensor; and, FIG. 8 is a bottom view of the body sensor.

1 Claim, 8 Drawing Sheets



(56)

References Cited

U.S. PATENT DOCUMENTS

2017/0258358 A1* 9/2017 Bishay A61B 5/0006
2017/0290546 A1* 10/2017 Antonio A61B 17/3468
2018/0146895 A1* 5/2018 Biederman A61B 5/14532
2018/0213583 A1* 7/2018 Al-Ali H04W 76/14
2018/0360356 A1* 12/2018 Chen A61B 5/1459
2019/0038191 A1* 2/2019 Parunak A61B 5/1464
2020/0101286 A1* 4/2020 Windmiller A61B 5/05
2020/0229765 A1* 7/2020 Peabody A61B 5/7445
2020/0254240 A1* 8/2020 Windmiller A61N 1/30
2020/0352485 A1* 11/2020 Antonio A61B 5/6832
2020/0375514 A1* 12/2020 Huang A61B 5/6849
2021/0030360 A1* 2/2021 Huang A61B 5/14865
2021/0113099 A1* 4/2021 Rogers A61B 5/6823
2021/0169518 A1* 6/2021 Shimizu A61B 5/14503
2021/0228156 A1* 7/2021 Kouge H05K 5/0226
2021/0236036 A1* 8/2021 Grob A61B 5/02416
2021/0251510 A1* 8/2021 Bobra G16H 40/67

OTHER PUBLICATIONS

Raiing Medical wearable thermometer; Jan. 18, 2018; 2 pgs;
<https://www.tmc.edu/news/2018/01/new-non-invasive-continuous-way-monitor-core-temperature-surgery-patients/>.*

* cited by examiner

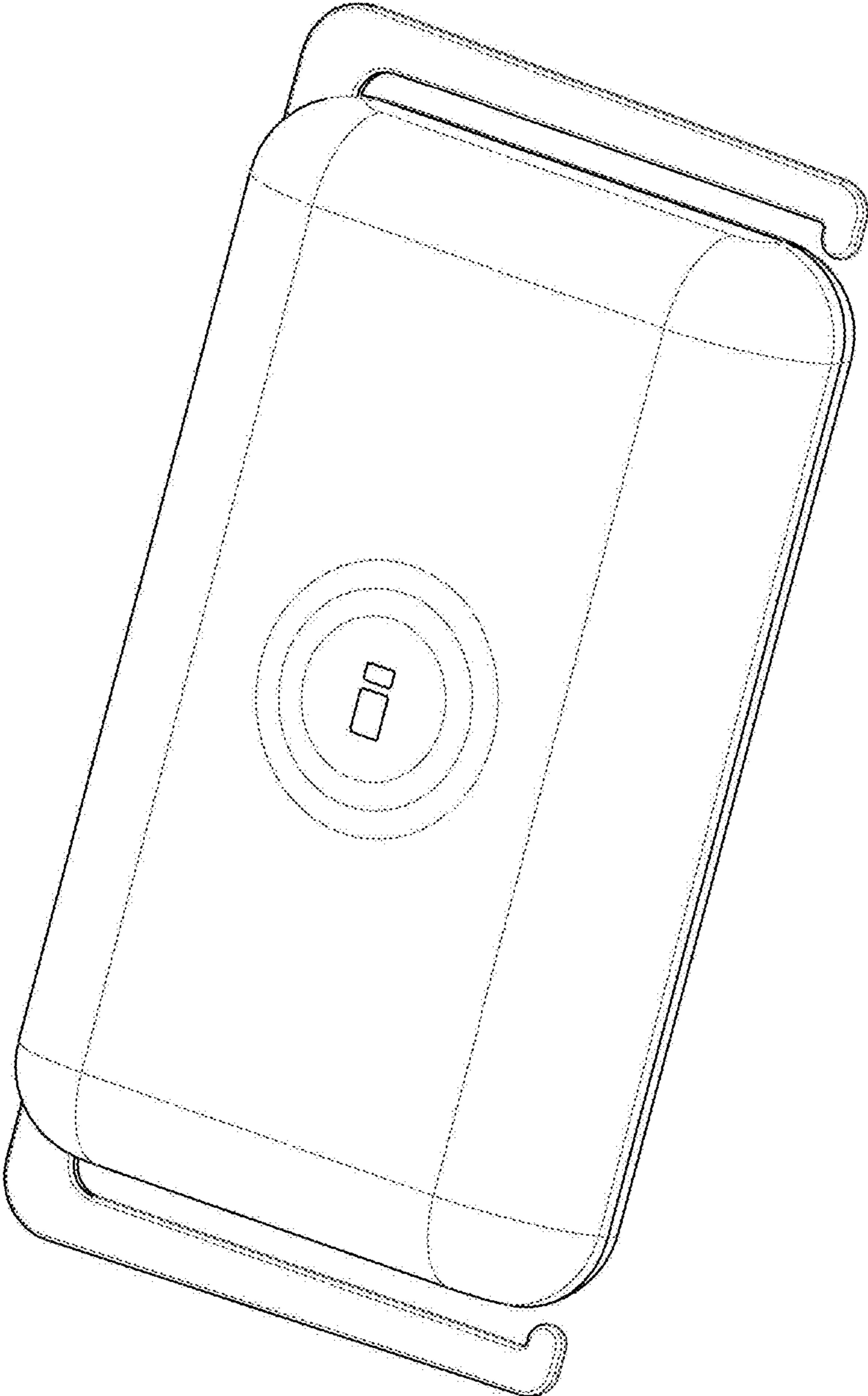


Fig. 1

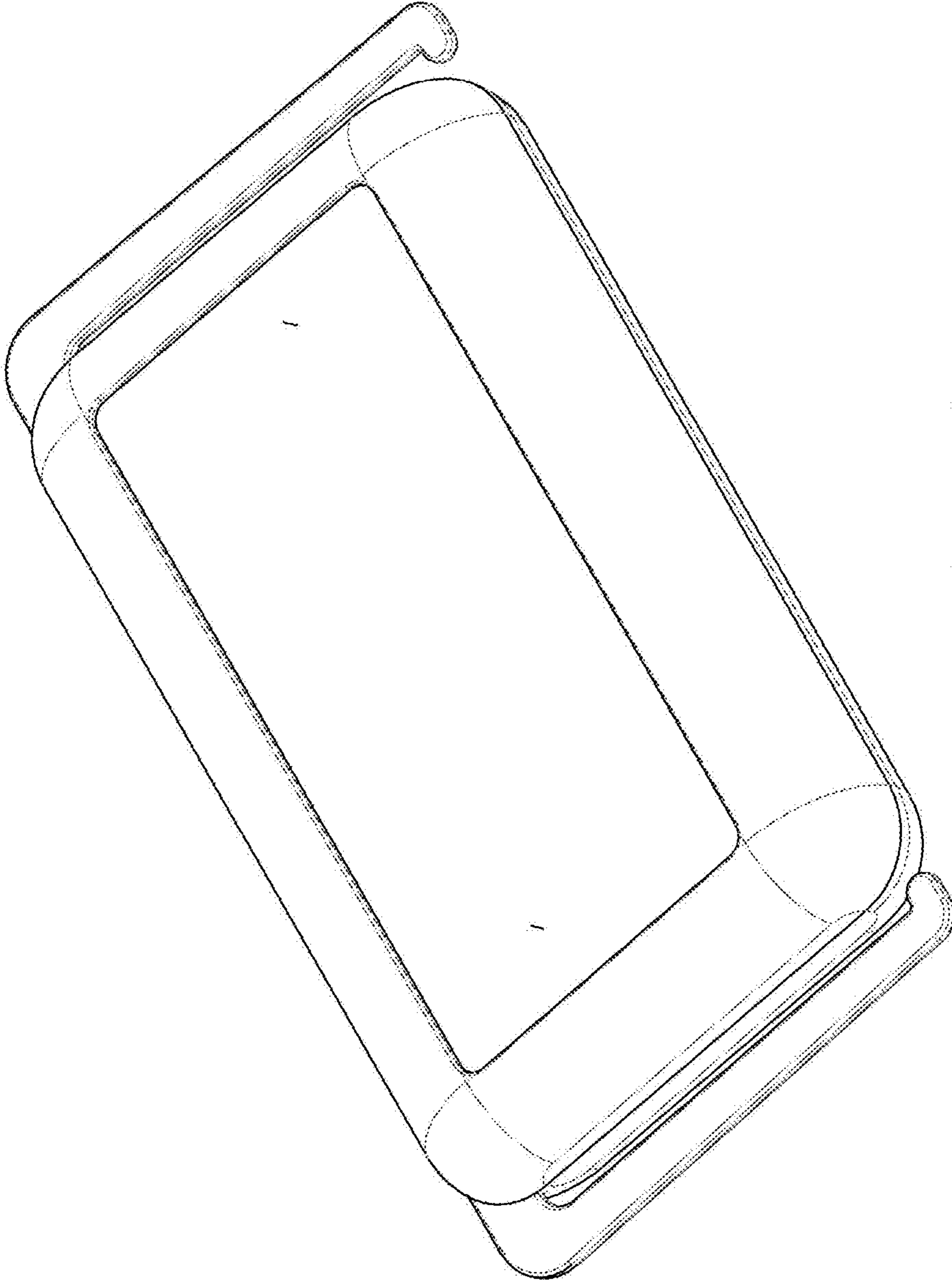


Fig. 2

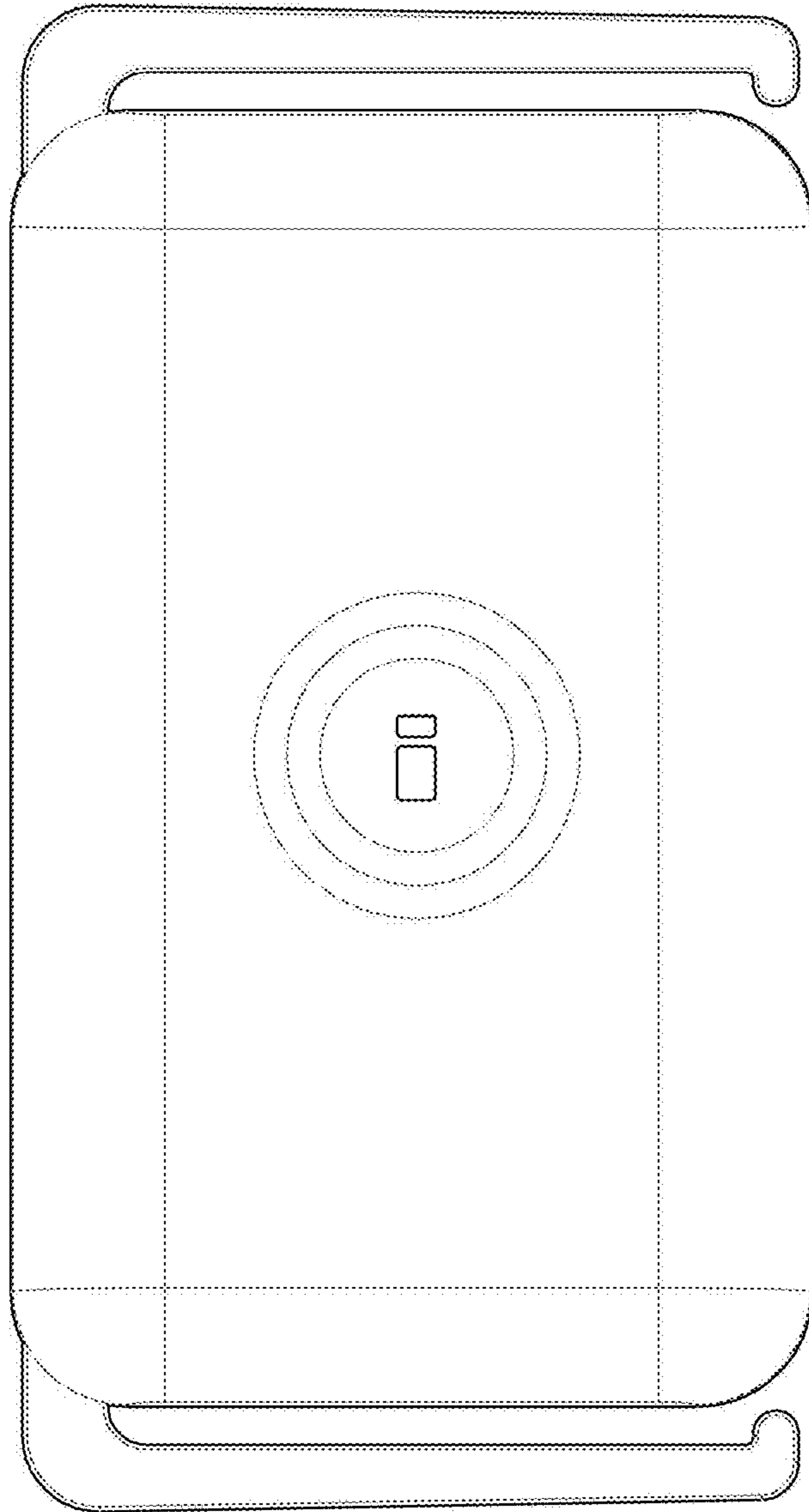


Fig. 3

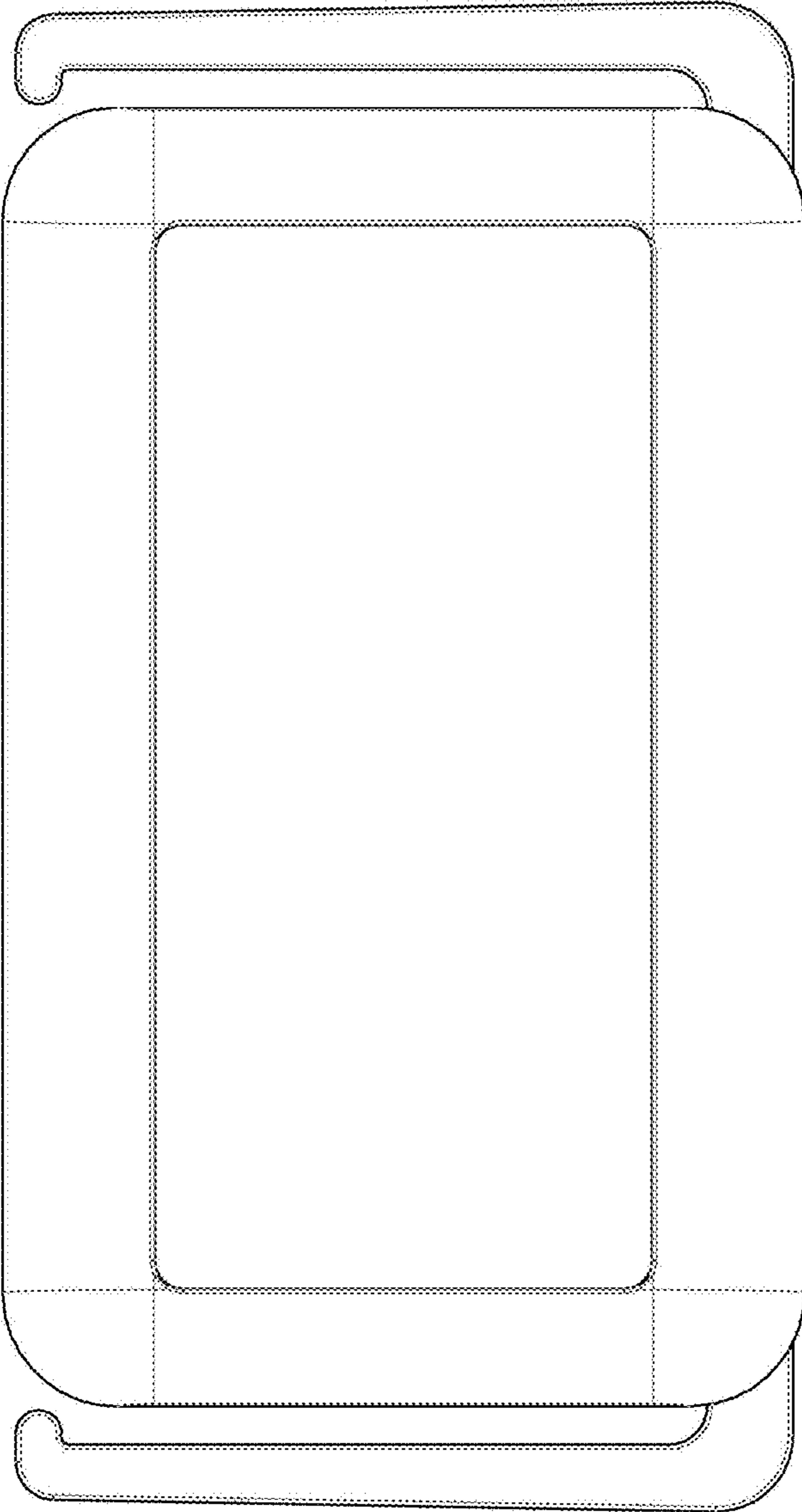


Fig. 4

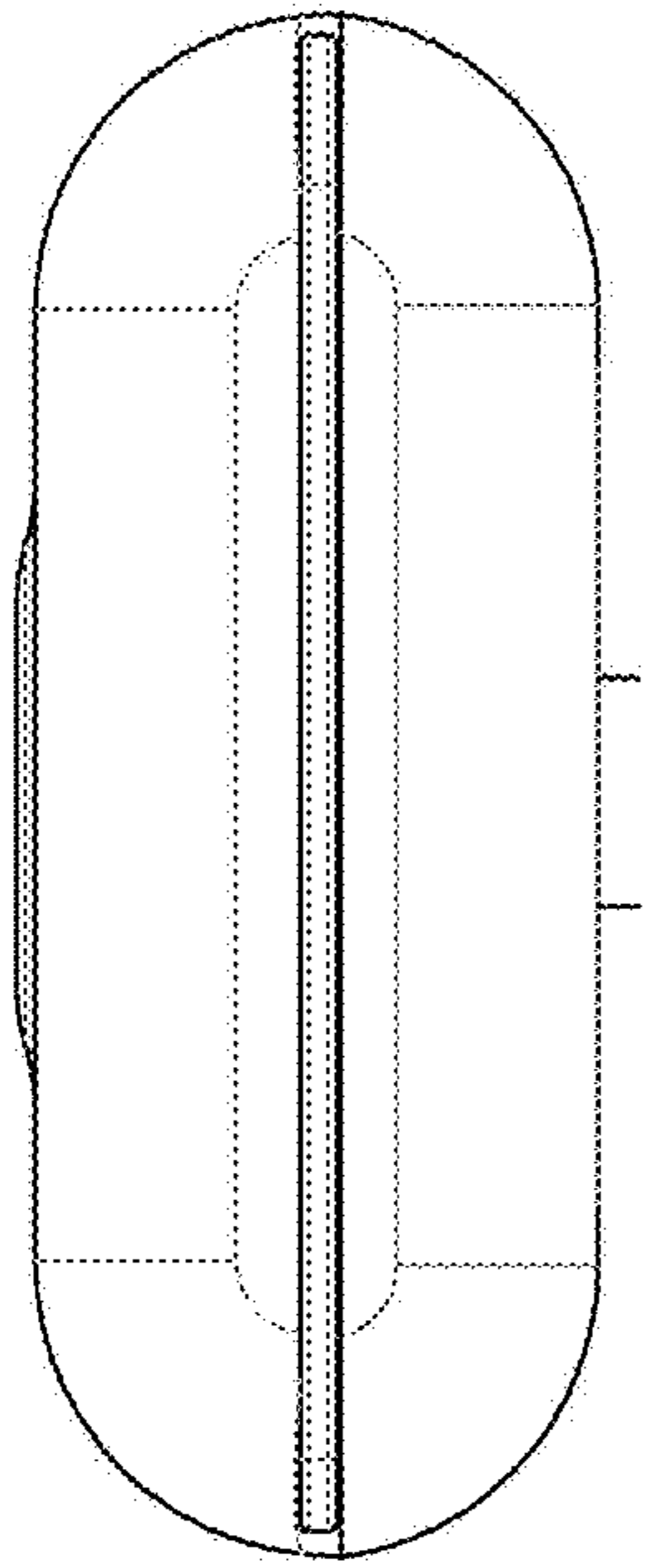


Fig. 5

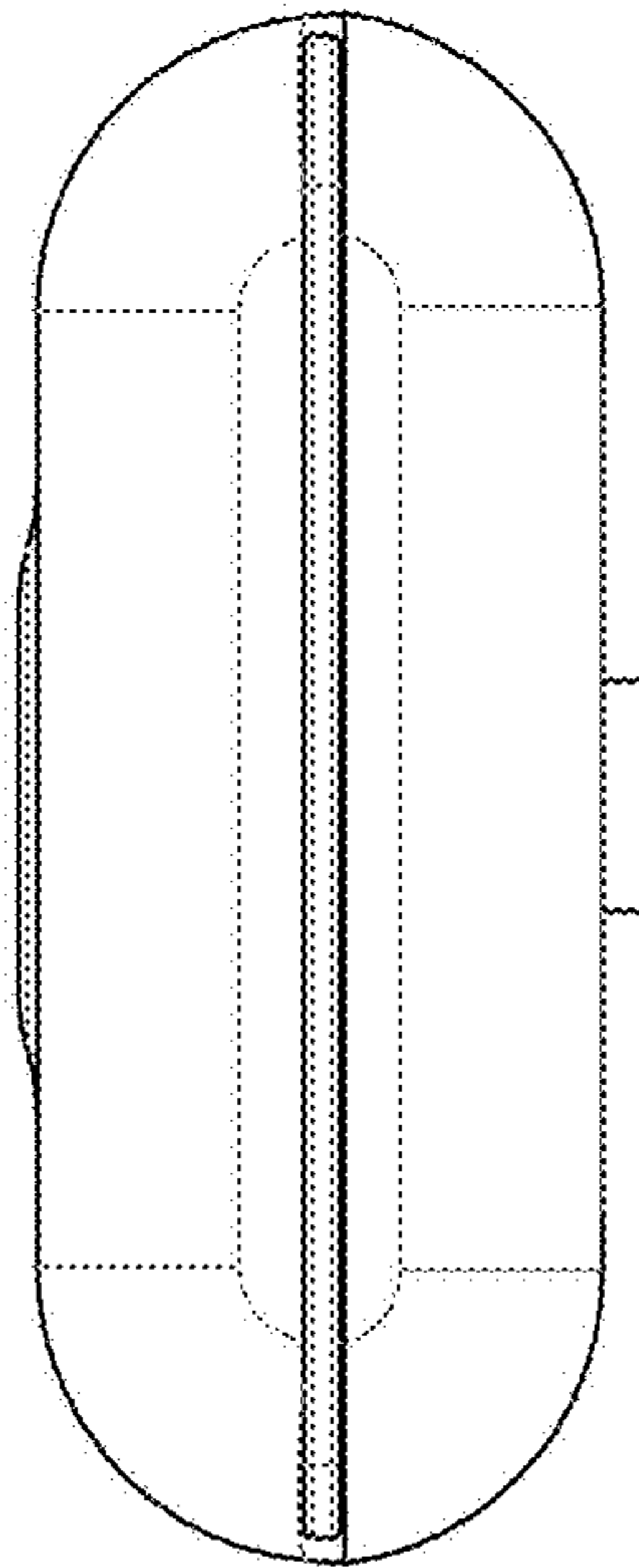


Fig. 6

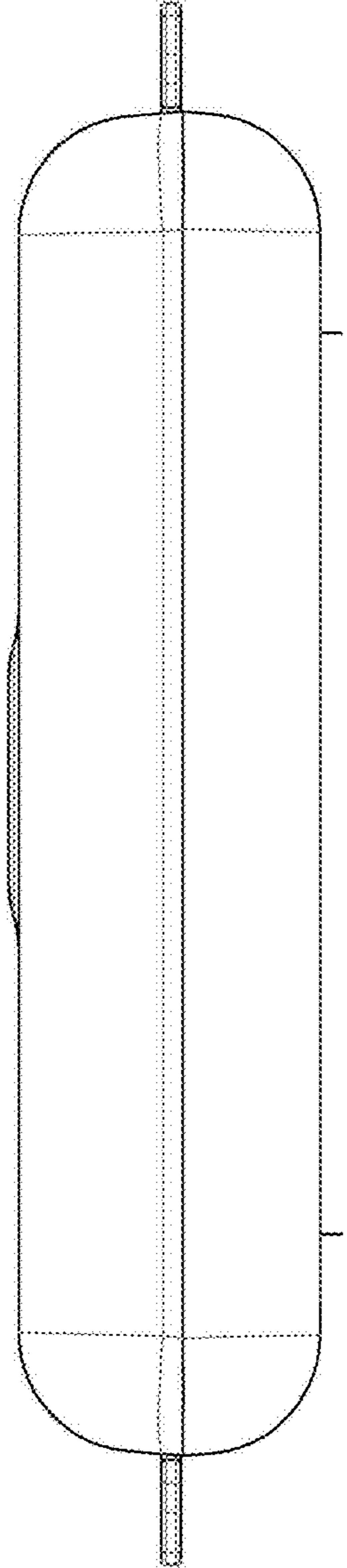


Fig. 7

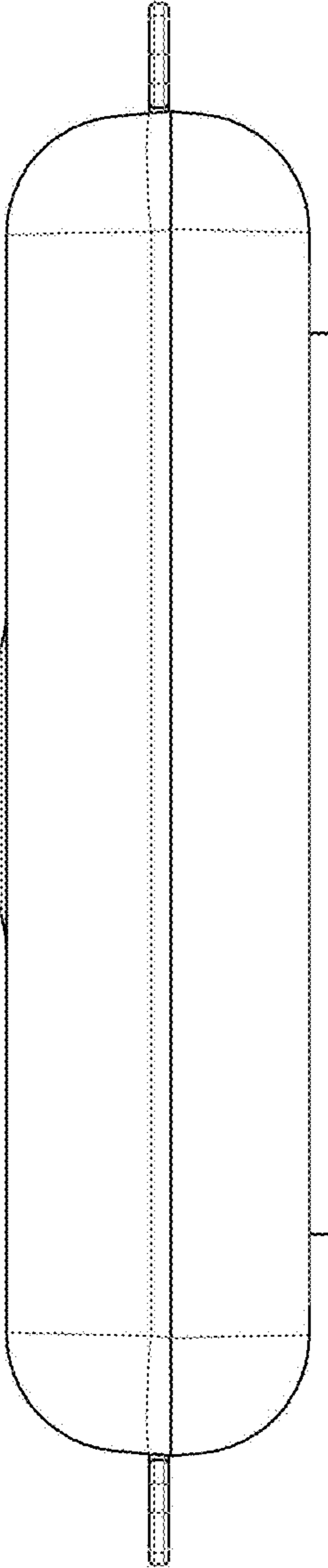


Fig. 8