



US00D940325S

(12) **United States Design Patent**
Deng et al.

(10) **Patent No.:** **US D940,325 S**
(45) **Date of Patent:** **** Jan. 4, 2022**

- (54) **INCUBATOR**
- (71) Applicant: **Guangzhou Rantion Technology Co., Ltd, Guangzhou (CN)**
- (72) Inventors: **Kevin Deng, Guangzhou (CN); Junjie Li, Guangzhou (CN); Lolanky Li, Guangzhou (CN); Edward Peng, Guangzhou (CN); Fanny Xu, Guangzhou (CN); Shuyu Chen, Guangzhou (CN)**
- (73) Assignee: **Guangzhou Rantion Technology Co., Ltd, Guangzhou (CN)**
- (**) Term: **15 Years**
- (21) Appl. No.: **29/757,058**
- (22) Filed: **Nov. 3, 2020**
- (51) **LOC (13) Cl.** **24-01**
- (52) **U.S. Cl.**
USPC **D24/163**
- (58) **Field of Classification Search**
USPC D24/107, 163, 164, 186, 232; D30/108, D30/117, 199; D23/334
CPC A61G 11/00; A61G 11/002; A61G 11/005; A61G 11/009; A01K 31/16; A01K 31/165; A01K 41/00; A01K 41/02; A01K 41/04
See application file for complete search history.

(56) **References Cited**

U.S. PATENT DOCUMENTS

- D637,292 S * 5/2011 Hudson D24/163
- 7,966,973 B1 * 6/2011 Adragna, Jr. A01K 41/00
119/311
- D655,870 S * 3/2012 Carlin, Jr. D30/117
- D707,823 S * 6/2014 Scherbing D24/163
- D819,821 S * 6/2018 Yamanaka D24/163
- D901,105 S * 11/2020 Bae D30/199

- 2007/0186864 A1* 8/2007 Bae A01K 41/06
119/319
- 2016/0135434 A1* 5/2016 Bodenhamer A01K 41/04
119/315
- 2019/0208749 A1* 7/2019 Clark, Jr. A01K 41/023

FOREIGN PATENT DOCUMENTS

- CN 201930320722.9 * 12/2019

OTHER PUBLICATIONS

Amazon. Magicfly All-in-One Egg Incubator with LED Candler, 40 Egg Hatching Incubator with Fully Automatic Egg Turning and Temperature Control, Humidity Alarm, Clear Poultry Hatcher for Chicken, quail, duck. Product first available date: Jun. 1, 2021. Retrived on Oct. 5, 2021 from internet at: https://www.amazon.com/dp/B096B4GKY2/ref=sspa_dk_detail_2?psc=1&pd_rd_w=JAIcE&pf_rd_p=9fd3ea7c-b77c-42ac-b43b-c872d3f37c38&pd_rd_wg=CvwEt&pf_rd_r=MAKNPTQMKXZXD62C8T.*

* cited by examiner

Primary Examiner — Anhdao Doan

(74) *Attorney, Agent, or Firm* — ZANIP

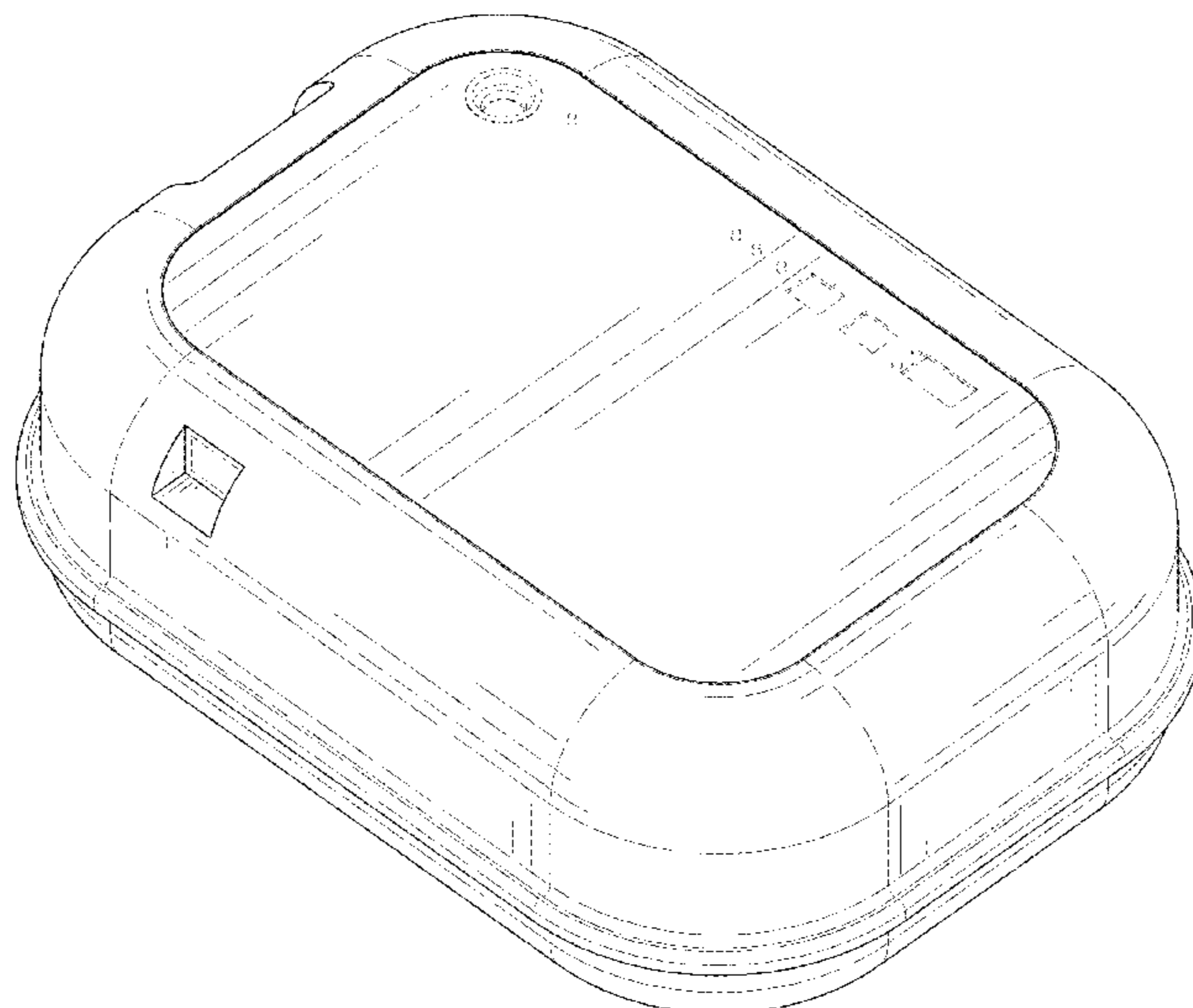
(57) **CLAIM**

The ornamental design for an incubator, as shown and described.

DESCRIPTION

FIG. 1 is a front, top and right perspective view of an incubator, showing our new design;
FIG. 2 is a front, top and left perspective view thereof;
FIG. 3 is a front elevational view thereof;
FIG. 4 is a rear elevational view thereof;
FIG. 5 is a left side devotional view thereof;
FIG. 5 is a right side elevational view thereof;
FIG. 7 is a top plan view thereof; and,
FIG. 8 is a bottom plan view thereof.
The broken lines in the figures illustrate portions of the article that form no part of the claimed design.

1 Claim, 8 Drawing Sheets



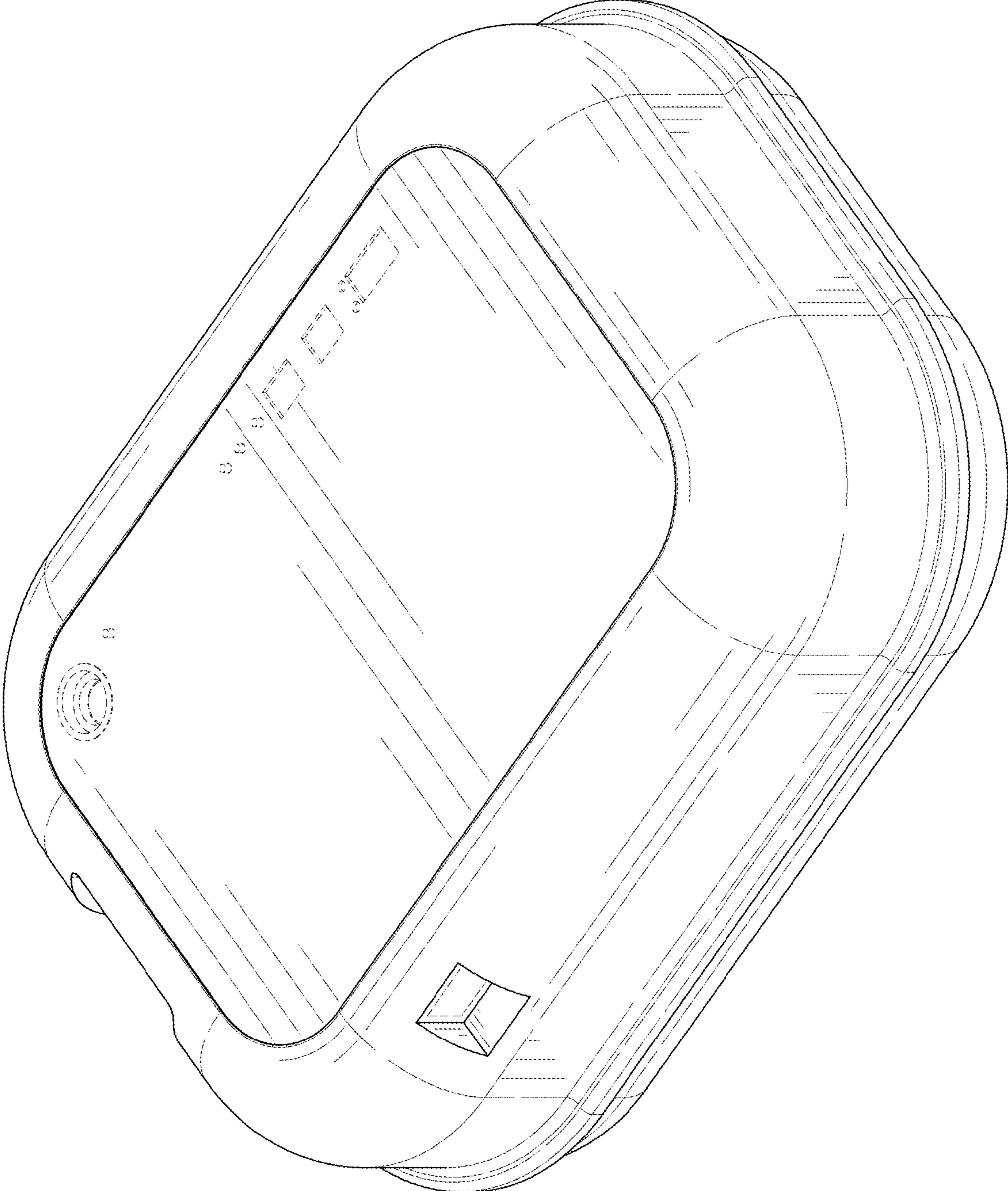


FIG. 1

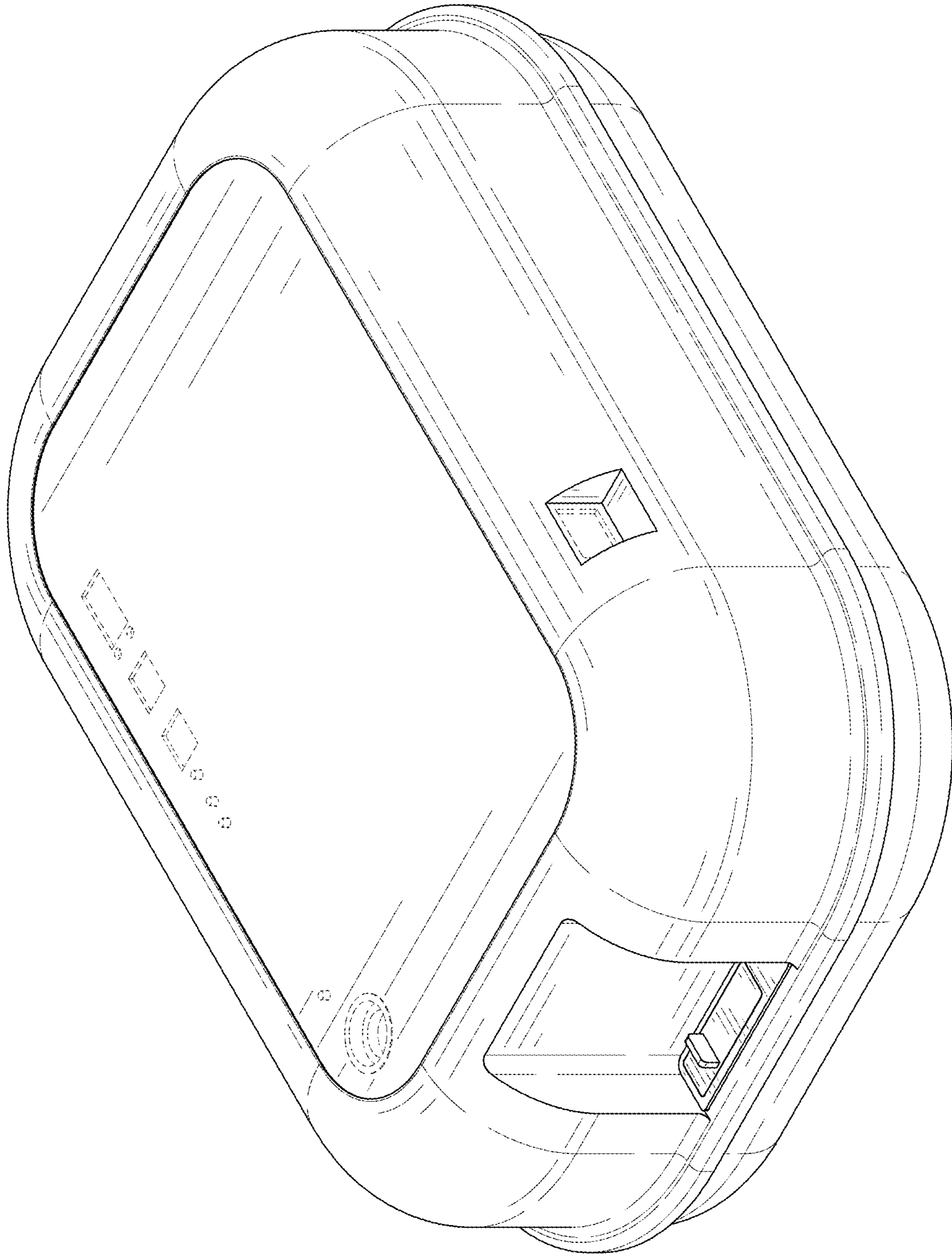


FIG. 2

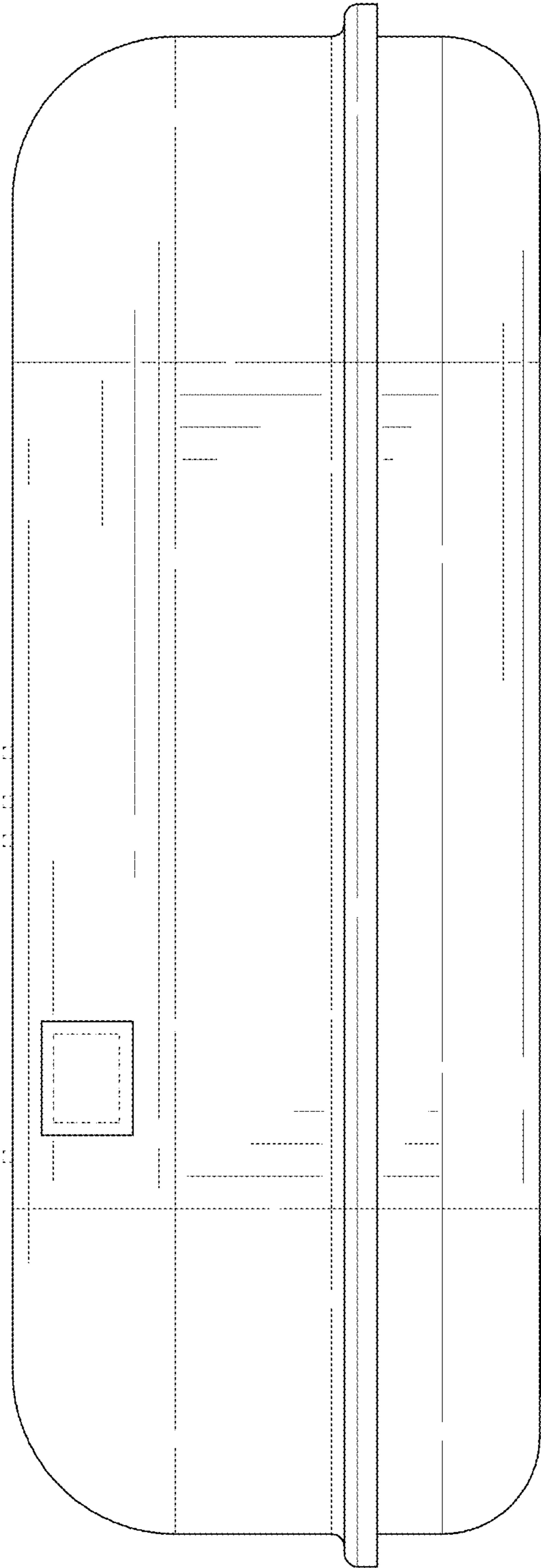


FIG. 3

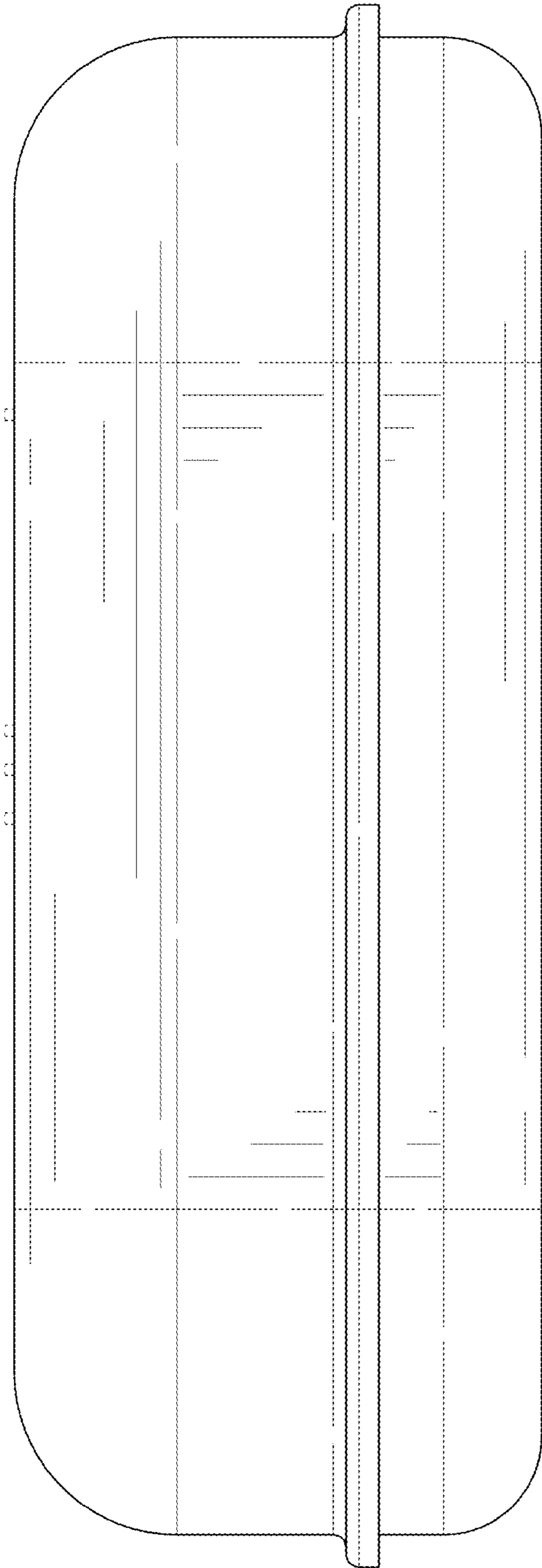


FIG. 4

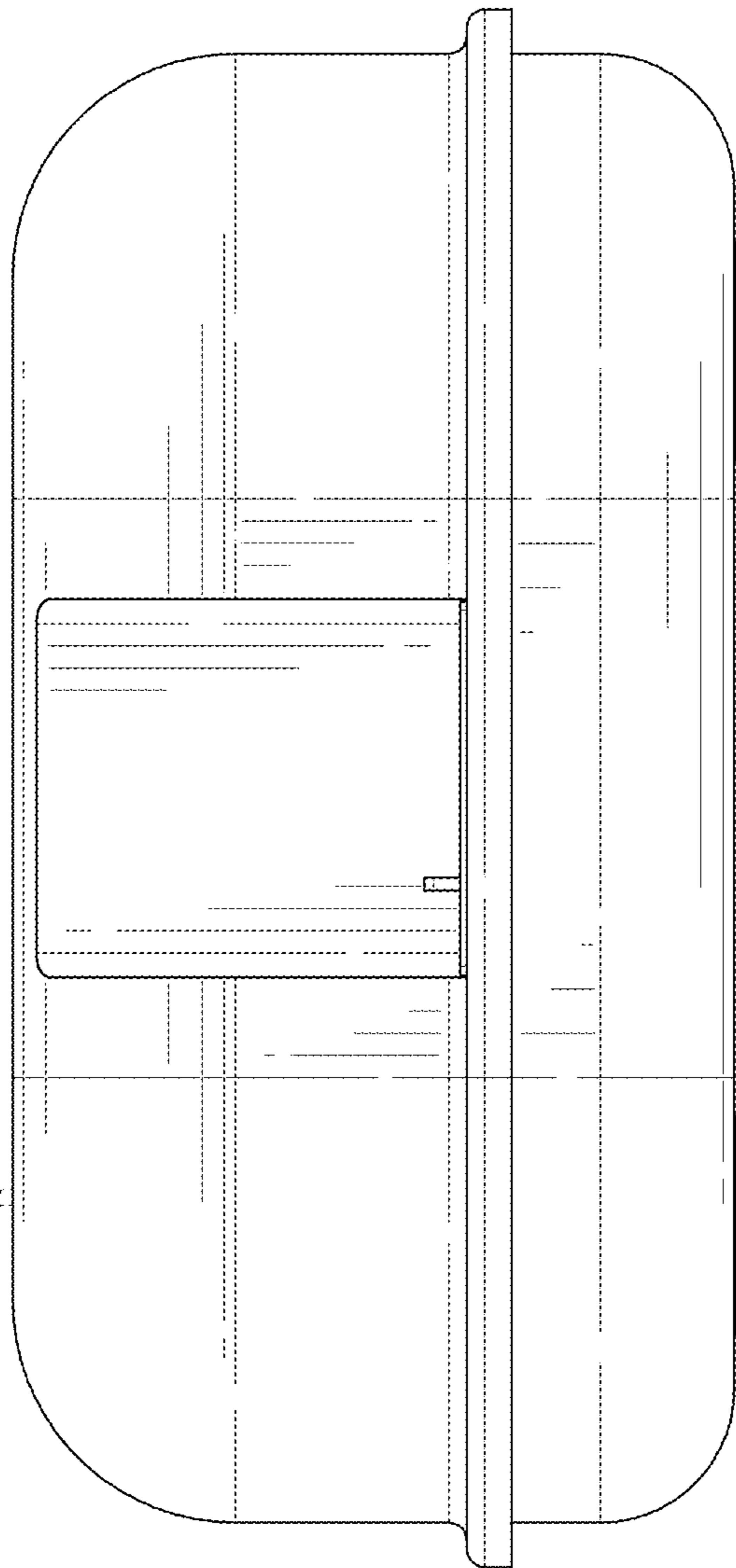


FIG. 5

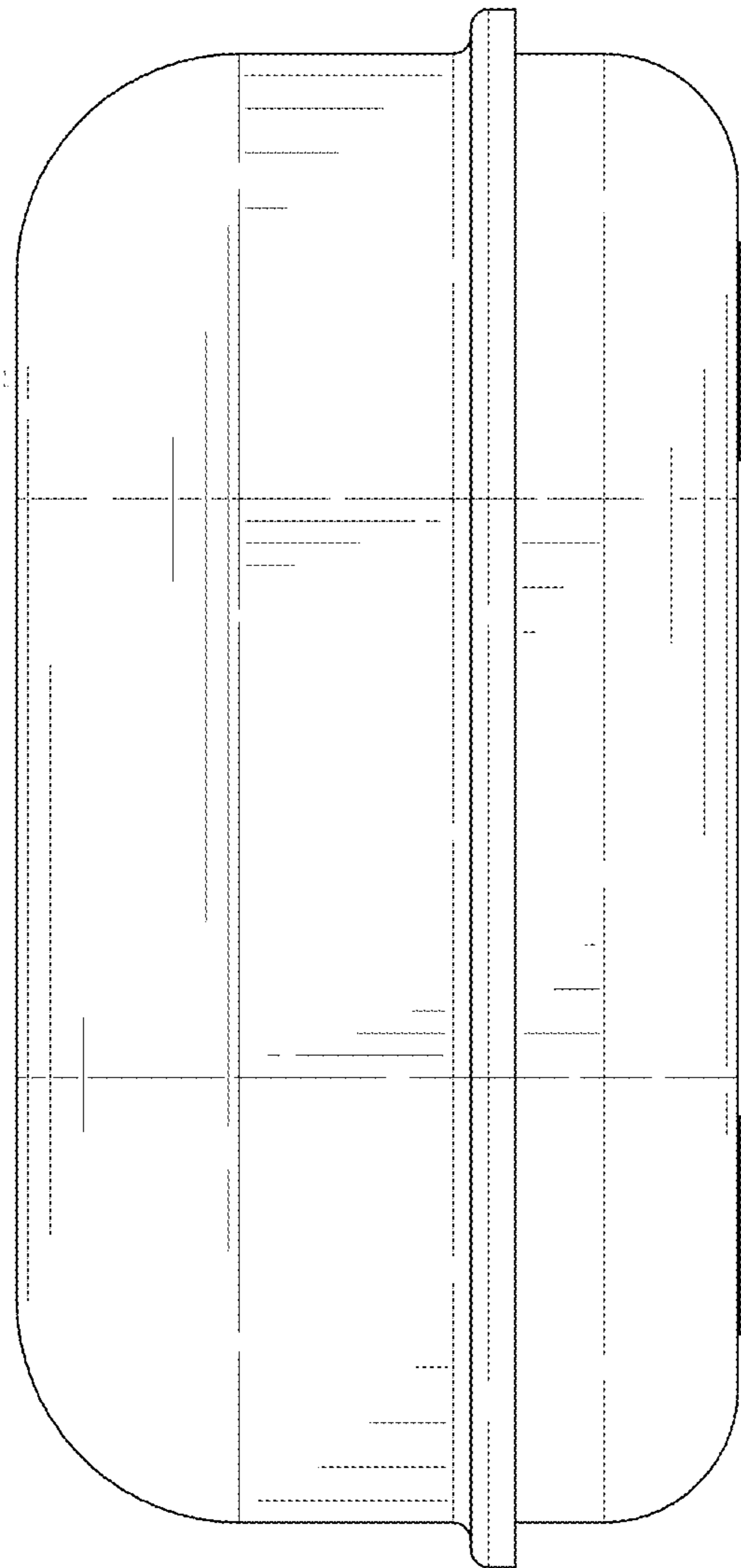


FIG. 6

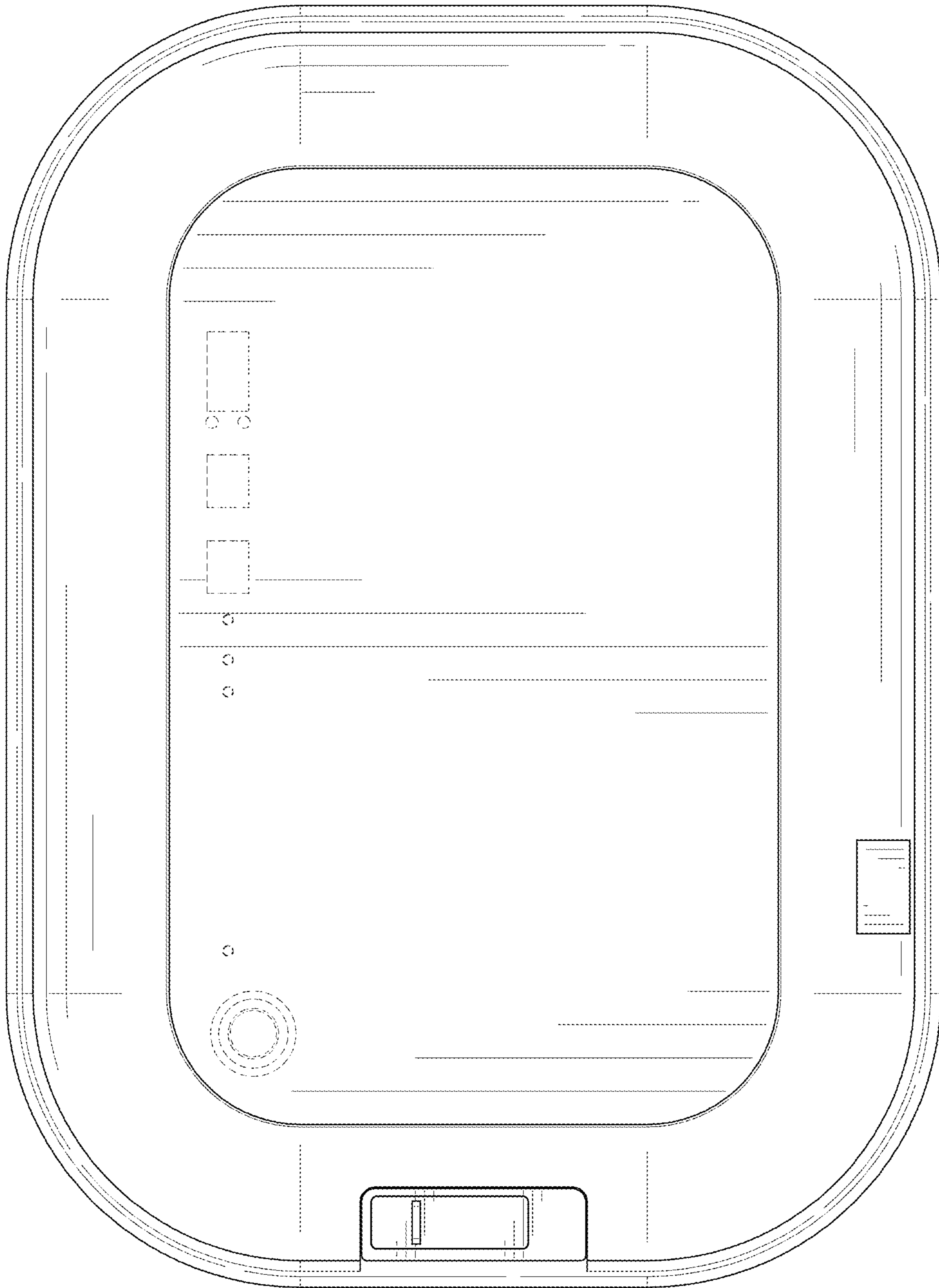


FIG. 7

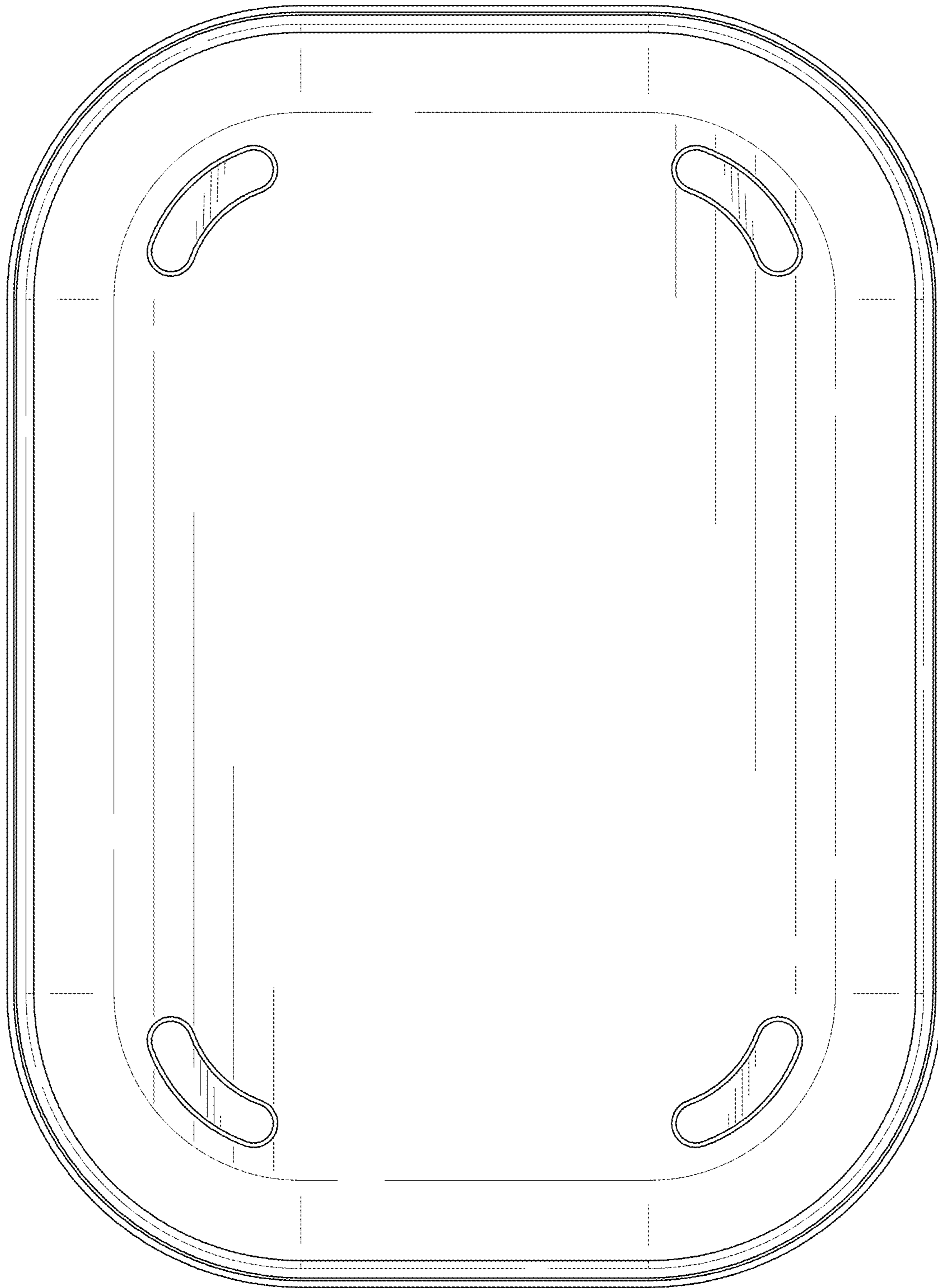


FIG. 8