



US00D940322S

(12) **United States Design Patent** (10) **Patent No.:** **US D940,322 S**
Wang (45) **Date of Patent:** **** Jan. 4, 2022**

(54) **DENTAL CALCULUS REMOVER**
(71) Applicant: **SHENZHEN XILE TECHNOLOGY CO., LTD.**, Shenzhen (CN)
(72) Inventor: **Zhaoyang Wang**, Shenzhen (CN)
(73) Assignee: **SHENZHEN XILE TECHNOLOGY CO., LTD.**, Shenzhen (CN)

D594,985 S 6/2009 Jansheski et al.
D669,584 S 10/2012 Kawasaki
D698,922 S 2/2014 Kawasaki
D699,349 S 2/2014 Kawasaki
D820,451 S 6/2018 Boge
D831,827 S 10/2018 Kohler
D855,182 S 7/2019 Ma
D865,177 S 10/2019 Liu
D884,893 S 5/2020 Ma

* cited by examiner

(**) Term: **15 Years**

Primary Examiner — Wan Laymon

(21) Appl. No.: **29/762,083**

(74) *Attorney, Agent, or Firm* — Law Offices of Steven W. Weinrieb

(22) Filed: **Dec. 15, 2020**

(51) **LOC (13) Cl.** **24-02**

(52) **U.S. Cl.**
USPC **D24/152**

(58) **Field of Classification Search**
USPC D24/111, 152, 176; D4/108
CPC .. A61C 3/00; A61C 3/03; A61C 15/00; A61C 15/047; A61C 15/048; A61C 17/00; A61C 17/06; A61C 17/18; A61C 17/20; A61C 17/32

See application file for complete search history.

(56) **References Cited**

U.S. PATENT DOCUMENTS

D322,314 S * 12/1991 Ohbayashi D24/111
6,689,078 B1 * 2/2004 Rehkemper A61C 17/30
15/29
D540,945 S 4/2007 Darnold et al.
D558,346 S 12/2007 Darnold et al.
D558,347 S 12/2007 Darnold et al.

(57) **CLAIM**

The ornamental design for a dental calculus remover, as shown and described.

DESCRIPTION

FIG. 1 is a front, right side, top perspective view of a dental calculus remover showing my new design; FIG. 2 is a front elevational view thereof; FIG. 3 is a rear elevational view thereof; FIG. 4 is a left side elevational view thereof; FIG. 5 is a right side elevational view thereof; FIG. 6 is a top plan view thereof; and, FIG. 7 is a bottom plan view thereof. The broken lines depict portions of the dental calculus remover that form no part of the claimed design.

1 Claim, 7 Drawing Sheets



FIG. 1

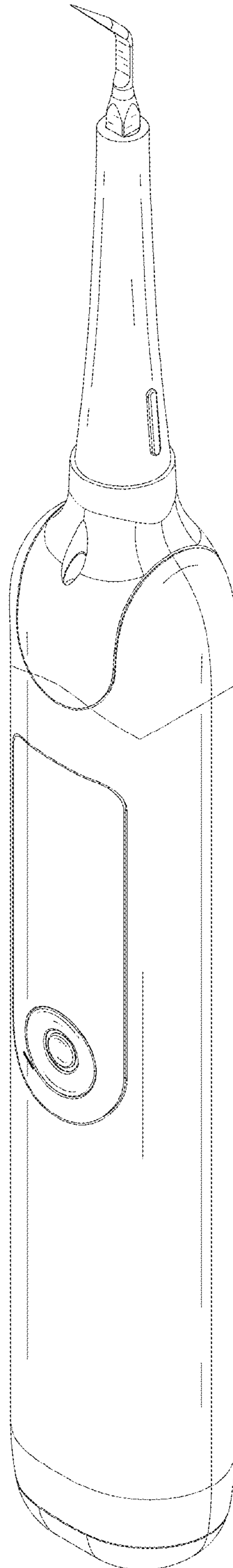


FIG. 2

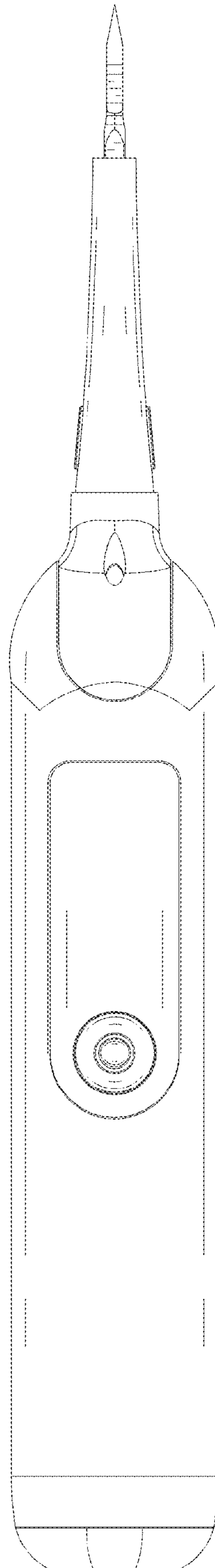


FIG. 3

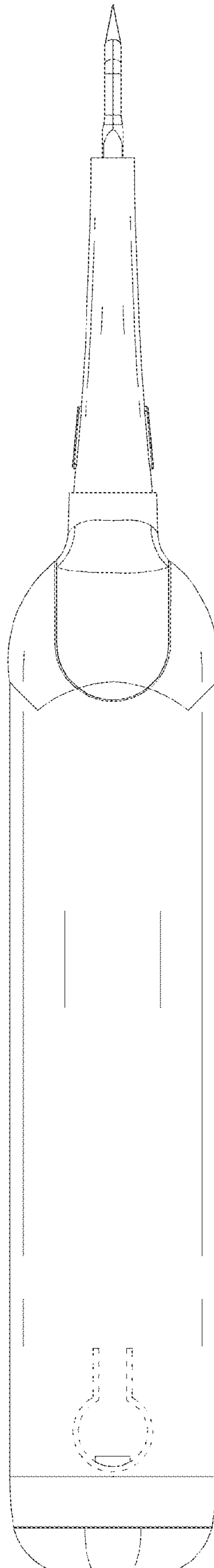


FIG. 4

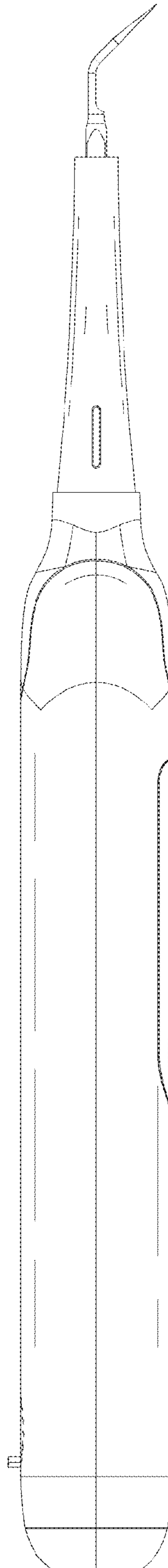
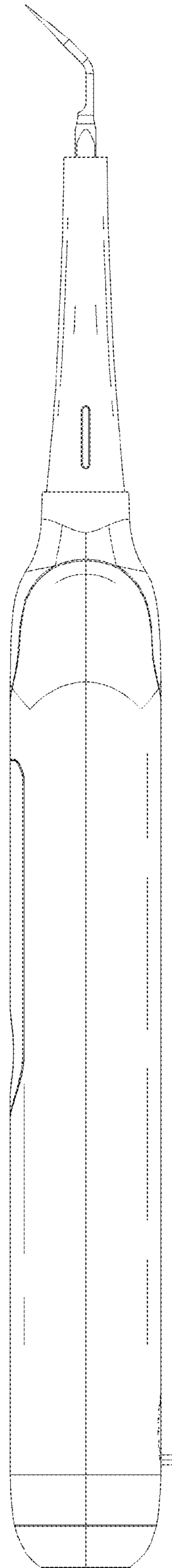


FIG. 5



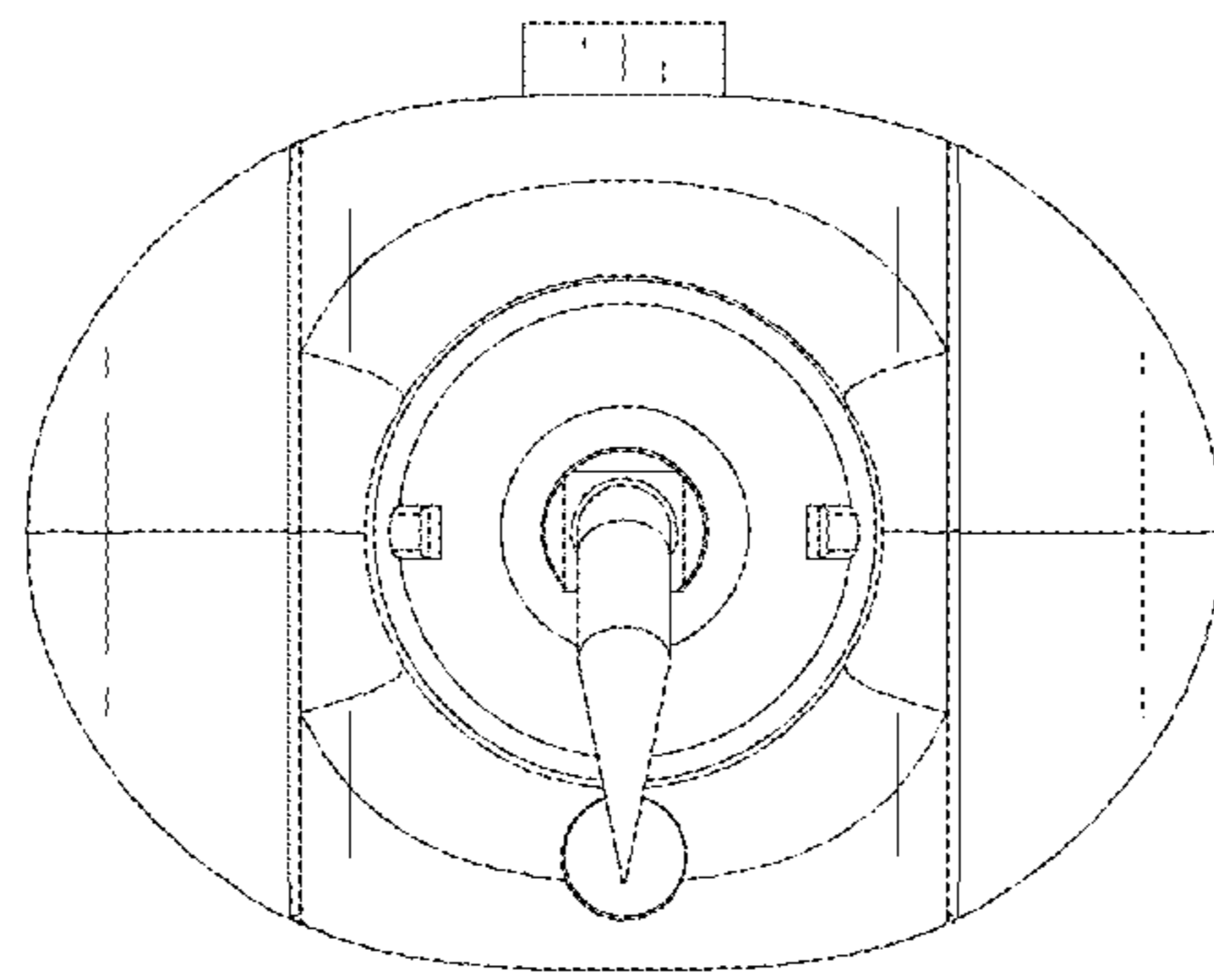


FIG. 6

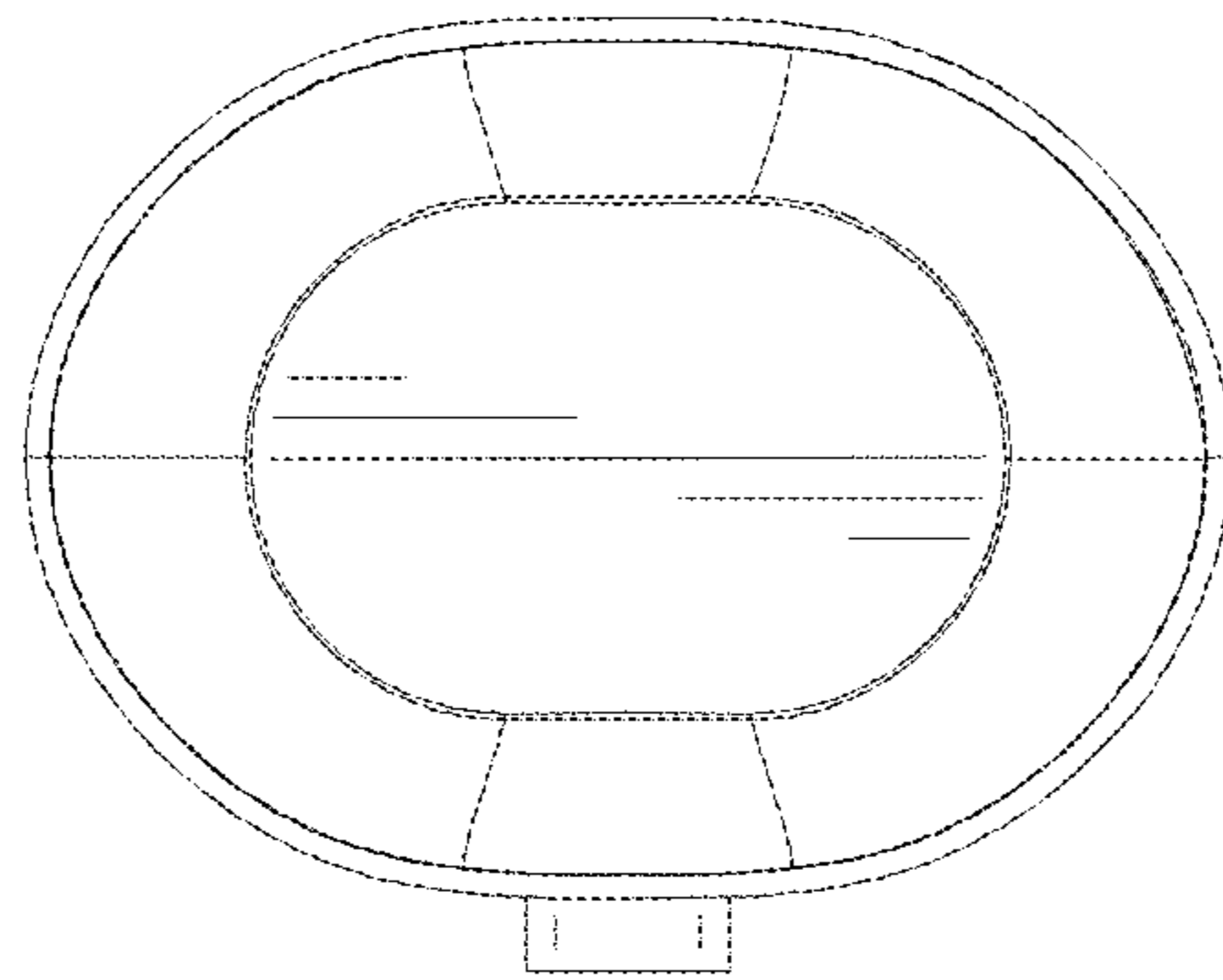


FIG. 7