



US00D940319S

(12) **United States Design Patent**  
**Deck et al.**

(10) **Patent No.:** **US D940,319 S**  
(45) **Date of Patent:** **\*\* Jan. 4, 2022**

(54) **LINEAR SURGICAL STAPLER**  
(71) Applicant: **Cilag GmbH International**, Zug (CH)  
(72) Inventors: **Andrew C. Deck**, Cincinnati, OH (US);  
**David K. Norvell**, Monroe, OH (US);  
**Matthew S. Corbin**, Placentia, CA  
(US); **Jason Jones**, Cincinnati, OH  
(US); **Brian D. Schings**, Cincinnati,  
OH (US)

8,496,156 B2 \* 7/2013 Sniffin ..... A61B 17/068  
227/176.1  
8,800,840 B2 \* 8/2014 Jankowski ..... A61B 17/07207  
227/176.1  
9,271,728 B2 \* 3/2016 Gupta ..... A61B 17/07207  
9,451,959 B2 \* 9/2016 Patankar ..... A61B 17/07207  
10,123,797 B2 \* 11/2018 Katre ..... A61B 17/0686  
10,542,980 B2 \* 1/2020 Patankar ..... A61B 17/07207  
10,888,327 B2 \* 1/2021 Gupta ..... A61B 17/068  
2016/0262756 A1 \* 9/2016 Patankar ..... A61B 17/07207  
2020/0000470 A1 \* 1/2020 Du ..... A61B 17/07207  
2020/0046353 A1 \* 2/2020 Deck ..... A61B 17/07207

(73) Assignee: **Cilag GmbH International**, Zug (CH)

\* cited by examiner

(\*\*) Term: **15 Years**

Primary Examiner — Wan Laymon

(21) Appl. No.: **29/785,363**

(74) Attorney, Agent, or Firm — Frost Brown Todd LLC

(22) Filed: **May 25, 2021**

(57) **CLAIM**

The ornamental design for a linear surgical stapler, as shown and described.

**Related U.S. Application Data**

**DESCRIPTION**

(62) Division of application No. 29/689,708, filed on May 1, 2019, now Pat. No. Des. 928,319.

(51) **LOC (13) Cl.** ..... **24-02**

(52) **U.S. Cl.**  
USPC ..... **D24/145**

(58) **Field of Classification Search**  
USPC ..... D24/145  
CPC ..... A61B 17/07207; A61B 17/064; A61B  
17/072; A61B 17/068; A61B 17/115;  
A61B 2017/07271  
See application file for complete search history.

FIG. 1 is a perspective view of a linear surgical stapler, showing our new design;  
FIG. 2 is a front elevational view of the linear surgical stapler of FIG. 1;  
FIG. 3 is a rear elevational view of the linear surgical stapler of FIG. 1;  
FIG. 4 is a left elevational view of the linear surgical stapler of FIG. 1;  
FIG. 5 is a right elevational view of the linear surgical stapler of FIG. 1;  
FIG. 6 is a top plan view of the linear surgical stapler of FIG. 1; and,  
FIG. 7 is a bottom plan view of the linear surgical stapler of FIG. 1.

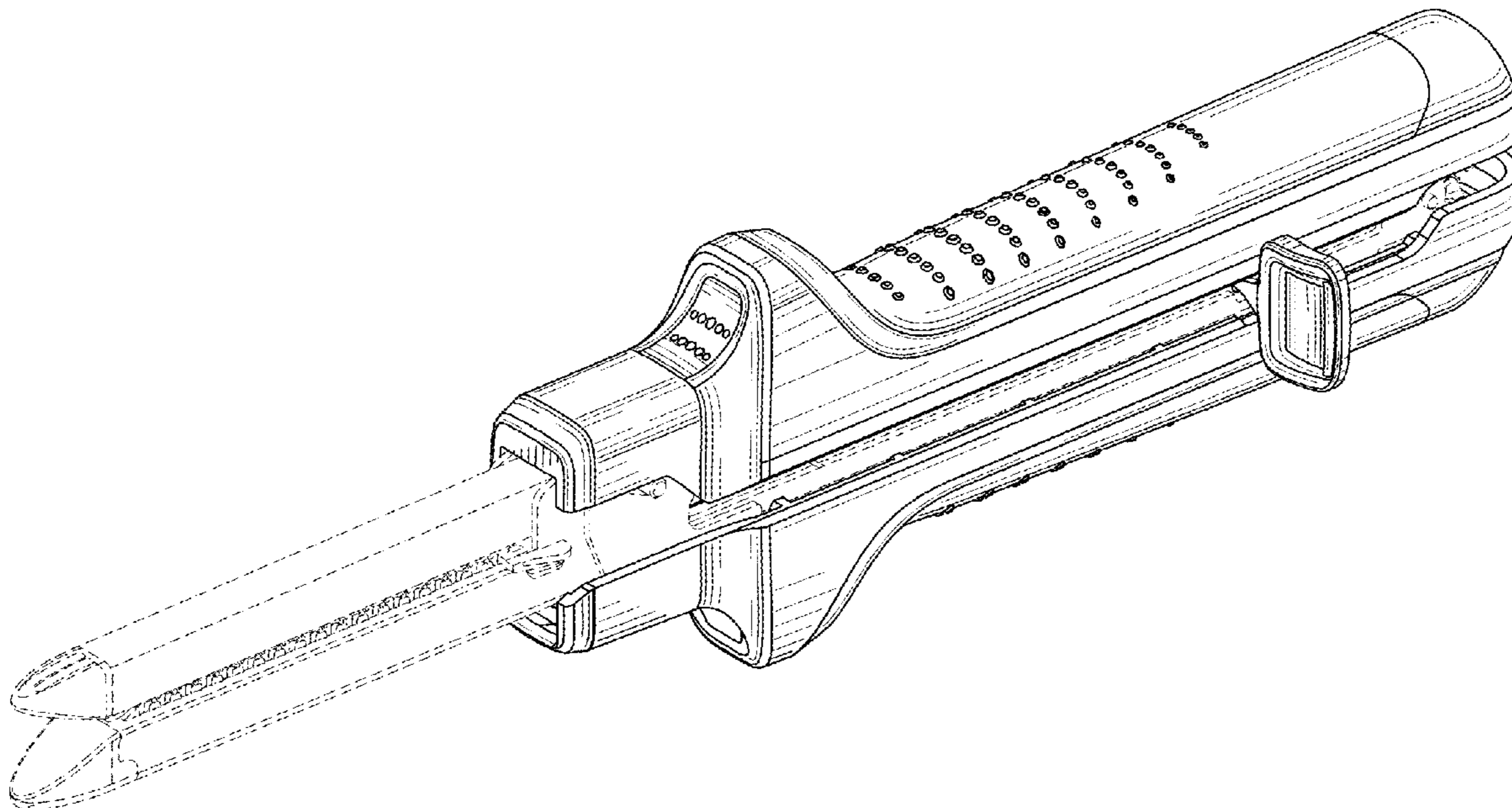
The stapler features shown in broken lines are unclaimed environment and form no part of the claimed design.

(56) **References Cited**

**U.S. PATENT DOCUMENTS**

D322,143 S \* 12/1991 Spreckelmeier ..... D24/145  
D480,808 S \* 10/2003 Wells ..... D24/145  
D676,963 S \* 2/2013 Hunt ..... D24/145

**1 Claim, 4 Drawing Sheets**



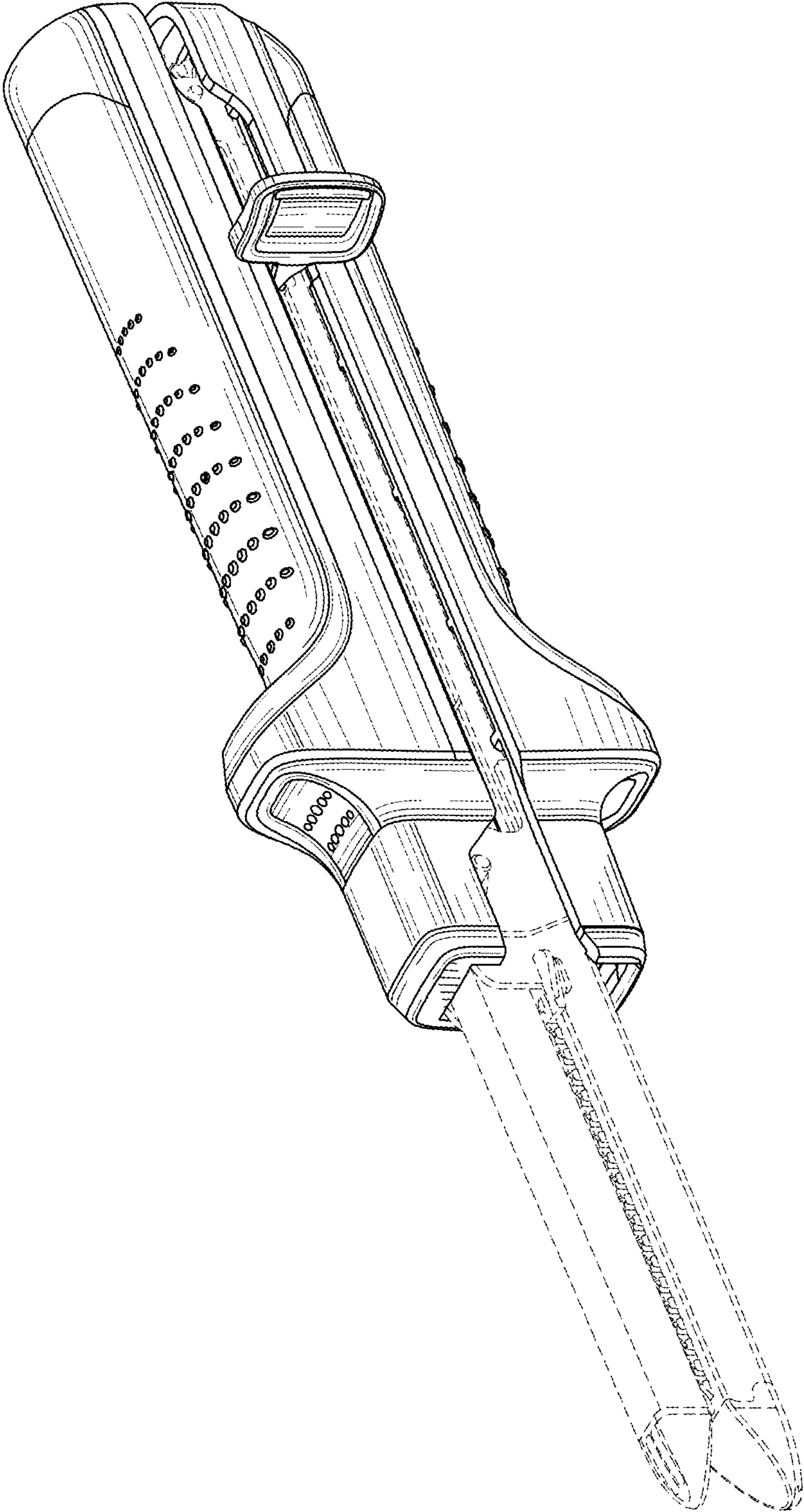


FIG. 1

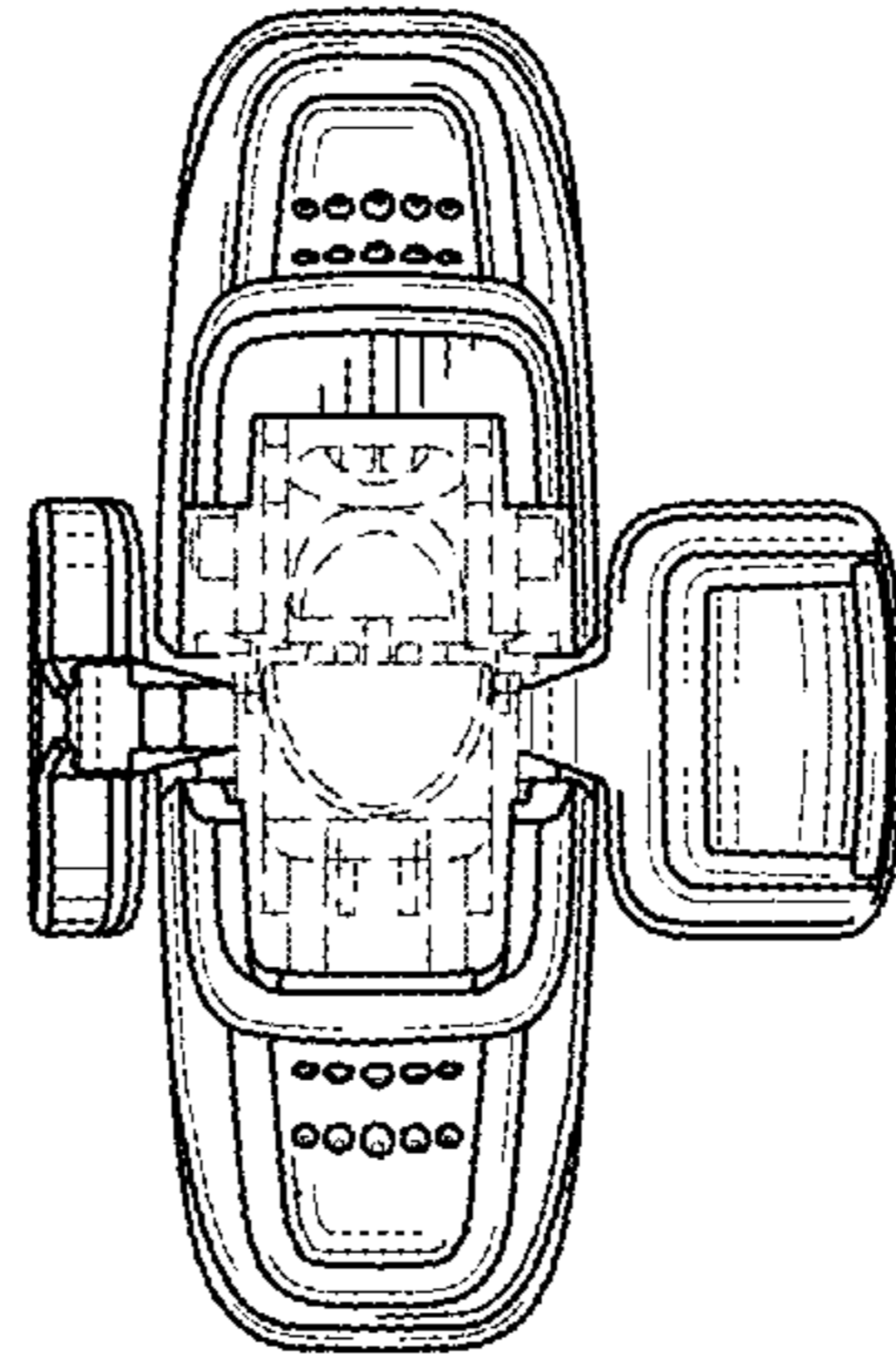


FIG. 2

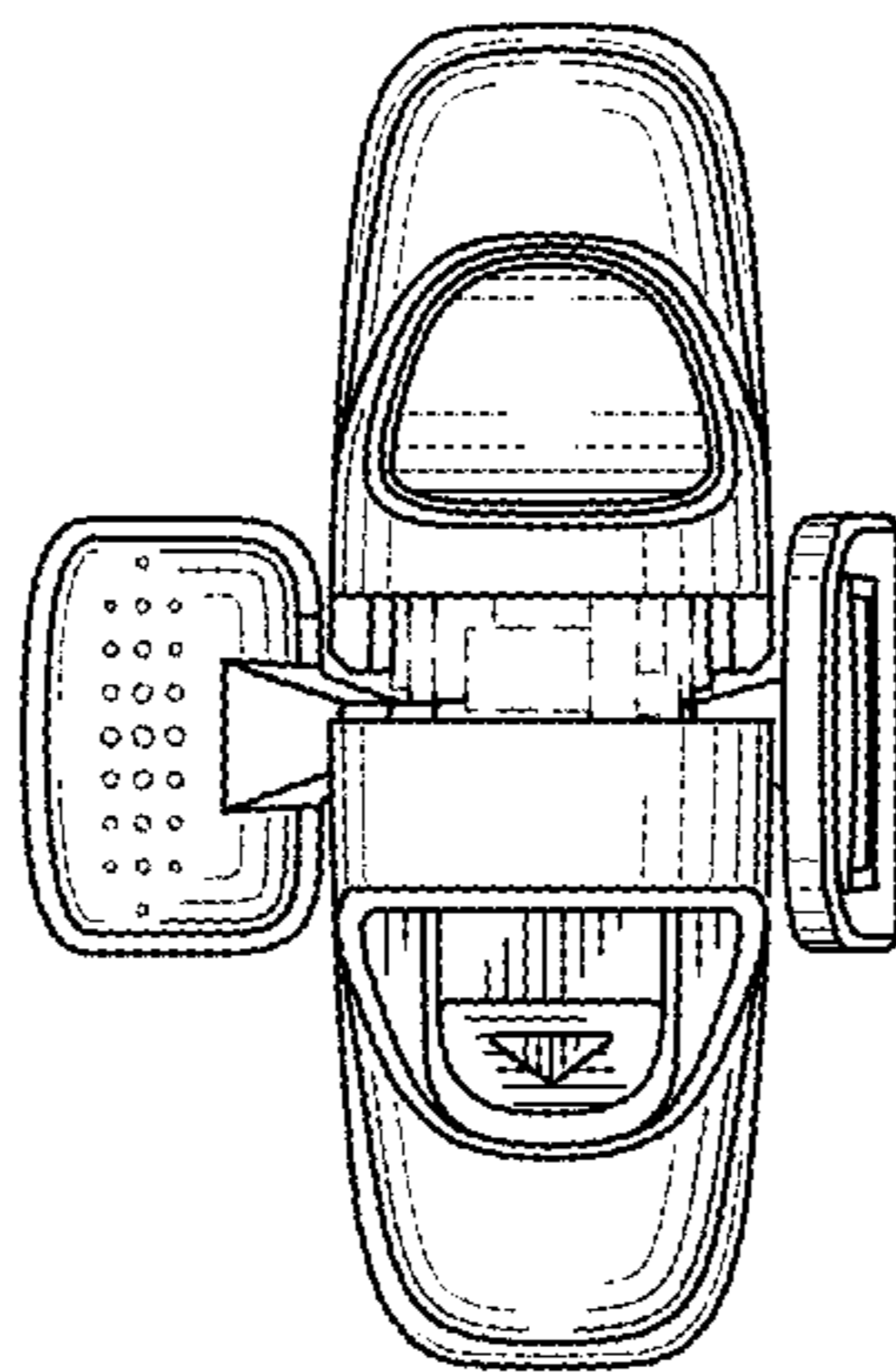


FIG. 3

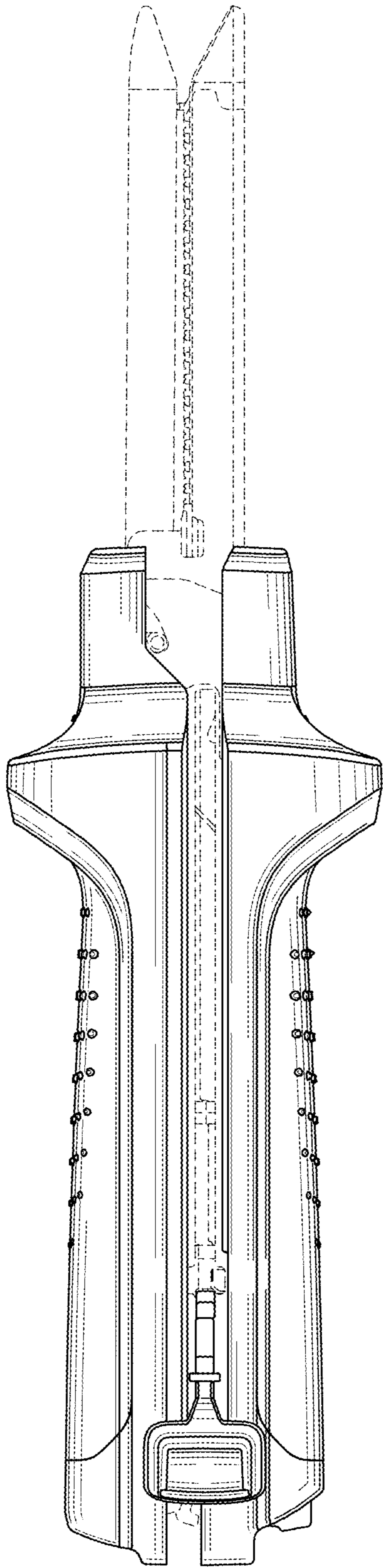


FIG. 4

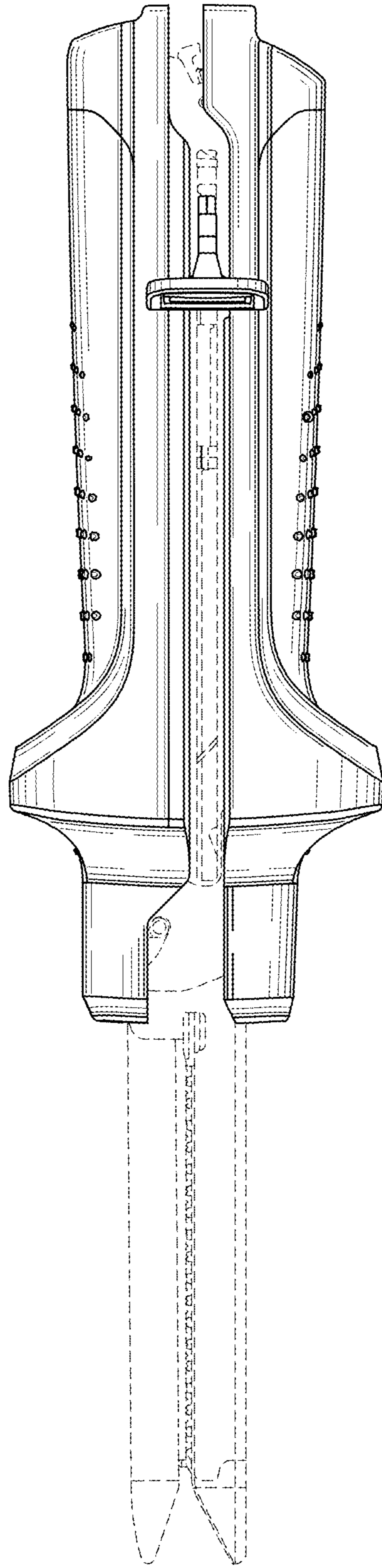


FIG. 5

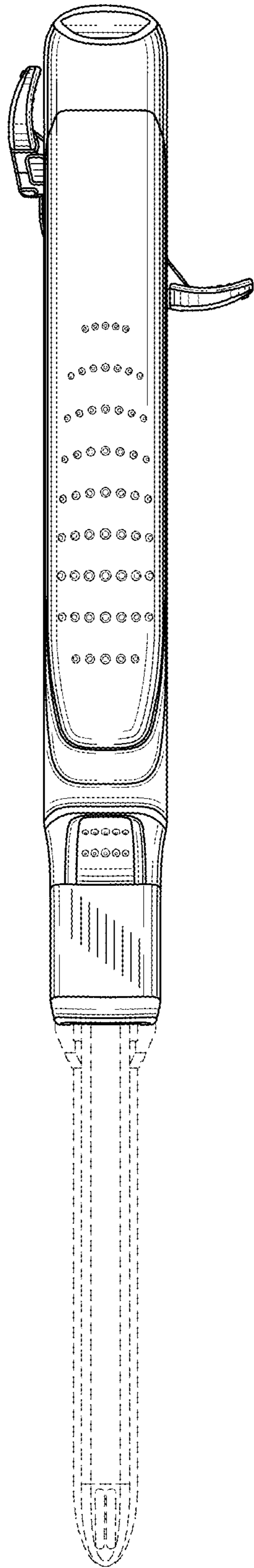


FIG. 6

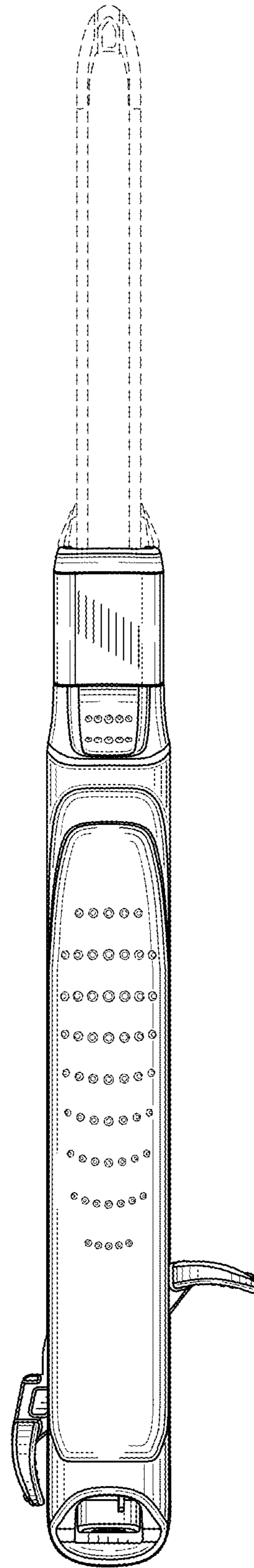


FIG. 7