



US00D940317S

(12) **United States Design Patent**  
**Ono**

(10) **Patent No.:** **US D940,317 S**

(45) **Date of Patent:** **\*\* Jan. 4, 2022**

(54) **OPERATING GRIP FOR ENDOSCOPE**

(71) Applicant: **FUJIFILM Corporation**, Tokyo (JP)

(72) Inventor: **Hirotohi Ono**, Kanagawa (JP)

(73) Assignee: **FUJIFILM Corporation**, Tokyo (JP)

(\*\*) Term: **15 Years**

(21) Appl. No.: **29/764,356**

(22) Filed: **Dec. 29, 2020**

(30) **Foreign Application Priority Data**

Jun. 30, 2020 (JP) ..... 2020-013307 D

(51) **LOC (13) Cl.** ..... **24-02**

(52) **U.S. Cl.**  
USPC ..... **D24/138**

(58) **Field of Classification Search**  
USPC ..... D24/138, 137, 127, 113, 108, 133  
CPC ..... A61M 25/00; A61M 39/00; A61M 27/00;  
A61M 25/0043; A61M 25/0067; A61M  
25/0097; A61F 2/958  
See application file for complete search history.

(56) **References Cited**

**U.S. PATENT DOCUMENTS**

D481,124 S \* 10/2003 Hayamizu ..... D24/138  
D535,393 S \* 1/2007 Pilvisto ..... D16/202

D753,298 S \* 4/2016 Hayamizu ..... D24/138  
D841,159 S \* 2/2019 Tanaka ..... D24/138  
D871,576 S \* 12/2019 Lohk ..... D24/138  
D872,860 S \* 1/2020 Funakoshi ..... D24/138  
D886,999 S \* 6/2020 Lohk ..... D24/138  
D888,237 S \* 6/2020 Lohk ..... D24/138

\* cited by examiner

*Primary Examiner* — Manpreet S Matharu

*Assistant Examiner* — Yolanda Robinson

(74) *Attorney, Agent, or Firm* — JCIPRNET

(57) **CLAIM**

The ornamental design for an operating grip for endoscope, as shown and described.

**DESCRIPTION**

FIG. 1 is a top, front and left side perspective view of an operating grip for endoscope showing my new design; FIG. 2 is a top, rear and left side perspective view thereof; FIG. 3 is a top, front and right side perspective view thereof; FIG. 4 is a bottom, front and left side perspective view thereof; FIG. 5 is a front elevational view thereof; FIG. 6 is a rear elevational view thereof; FIG. 7 is a top plan view thereof; FIG. 8 is a bottom plan view thereof; FIG. 9 is a left side elevational view thereof; and, FIG. 10 is a right side elevational view thereof. The broken lines shown in the operating grip for endoscope are for portions that form no part of the claimed design.

**1 Claim, 10 Drawing Sheets**

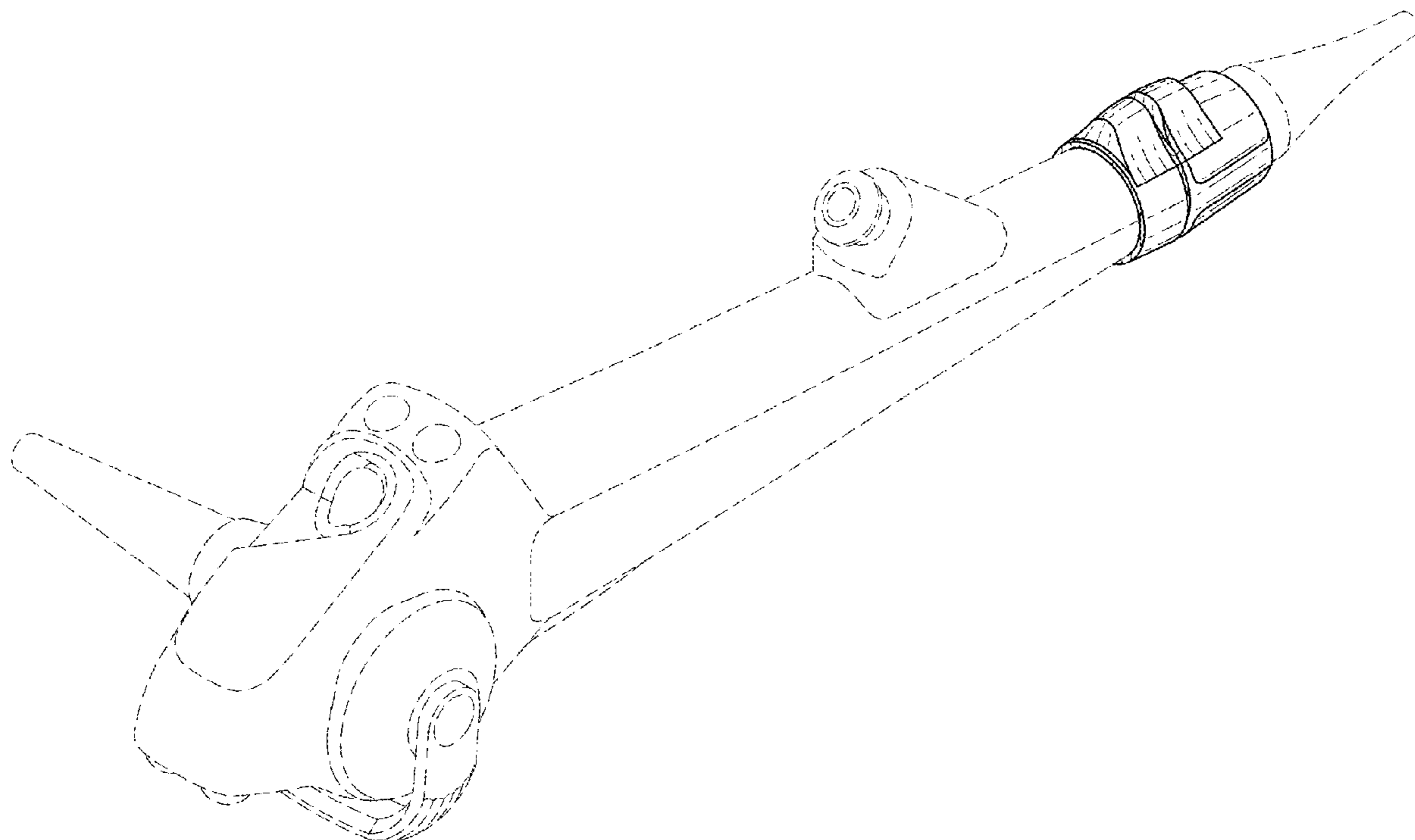


FIG. 1

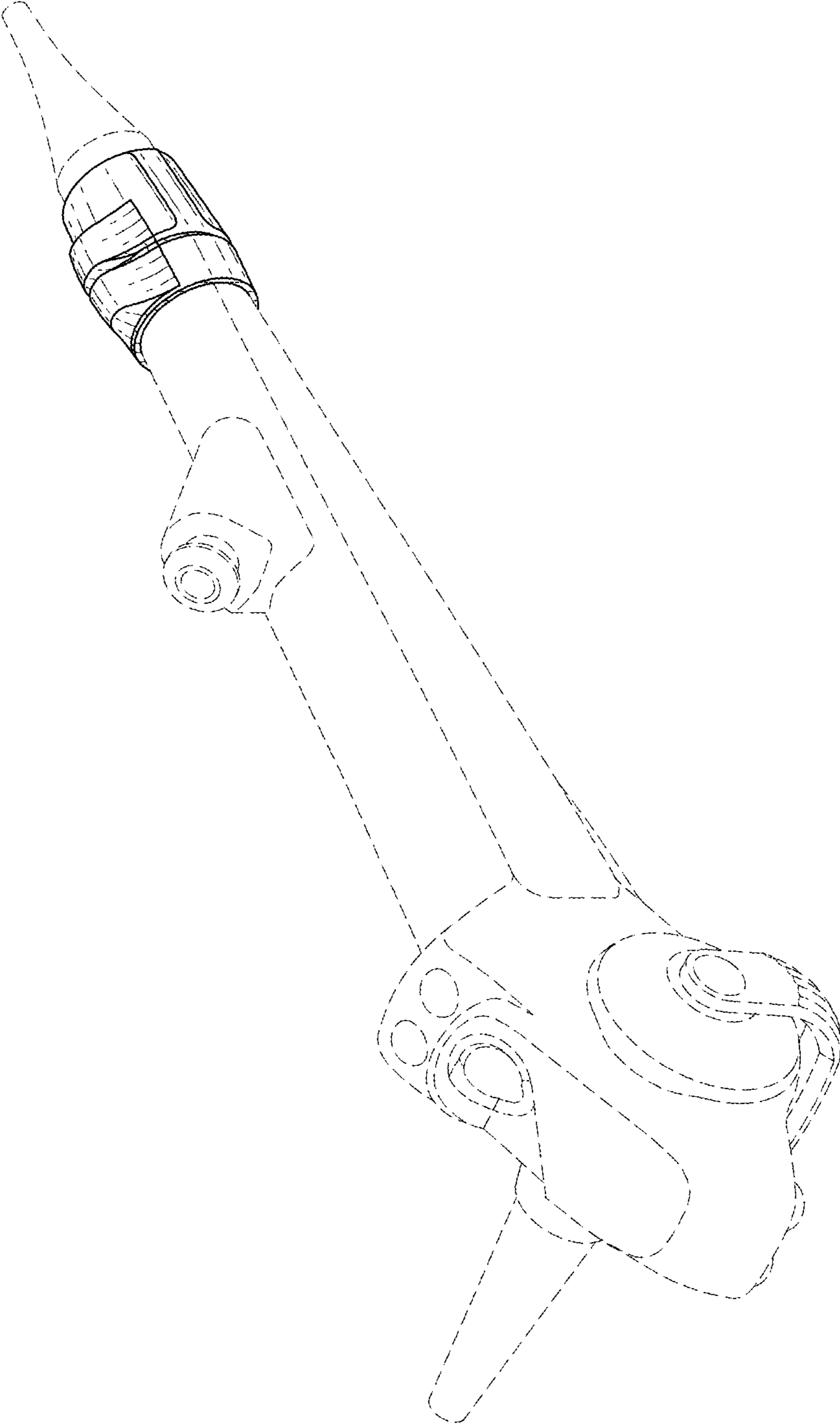


FIG. 2

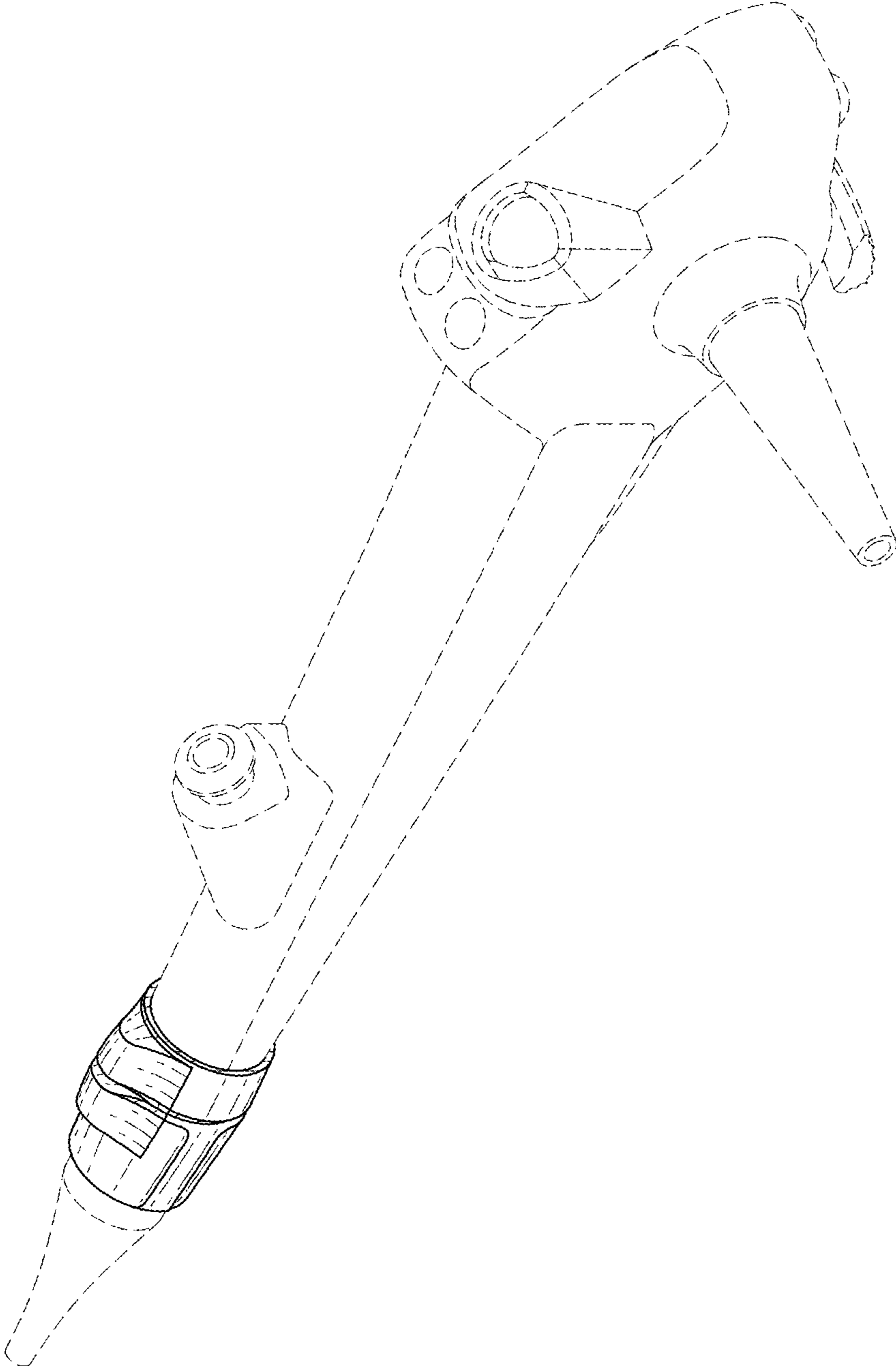


FIG. 3

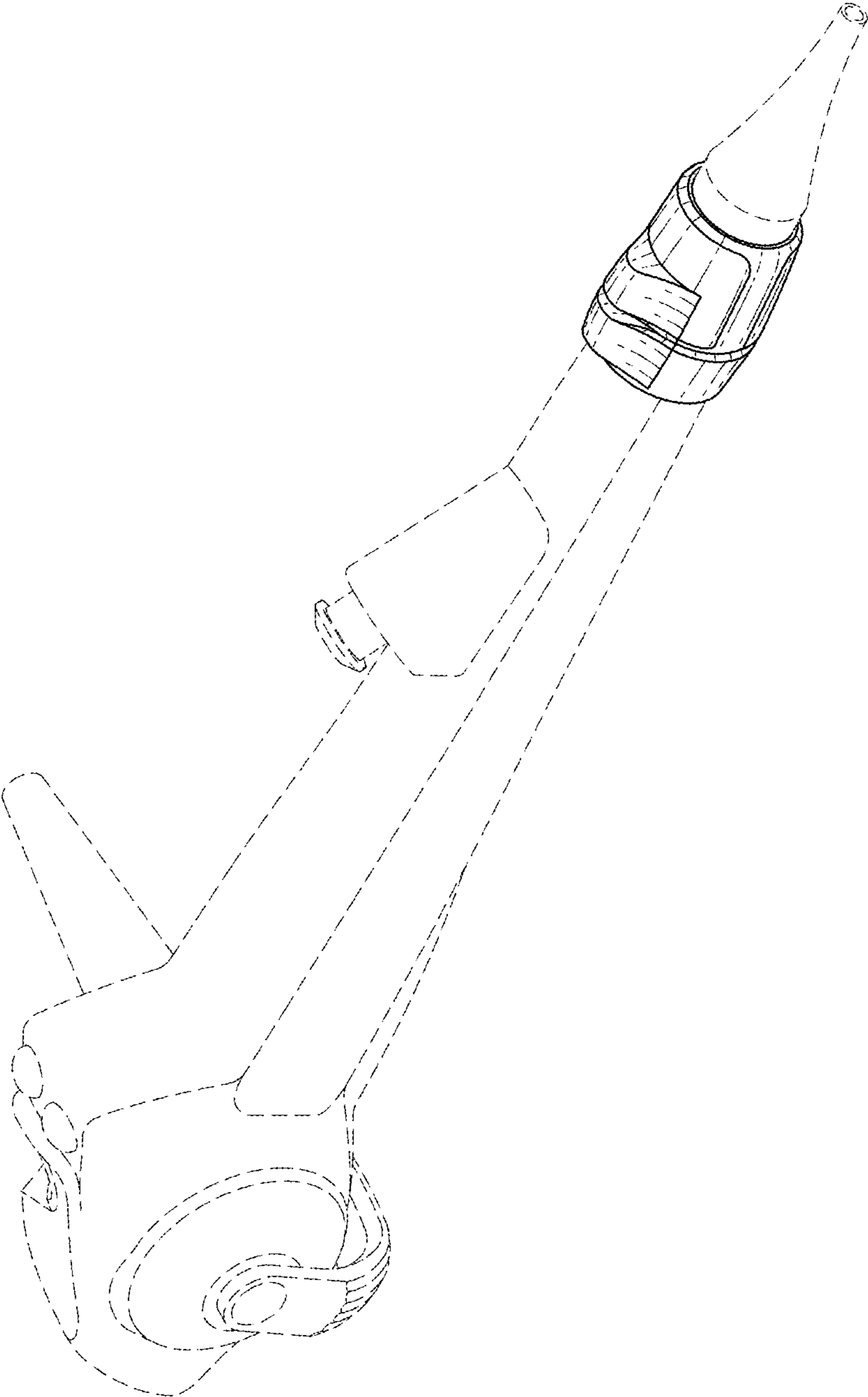


FIG.4

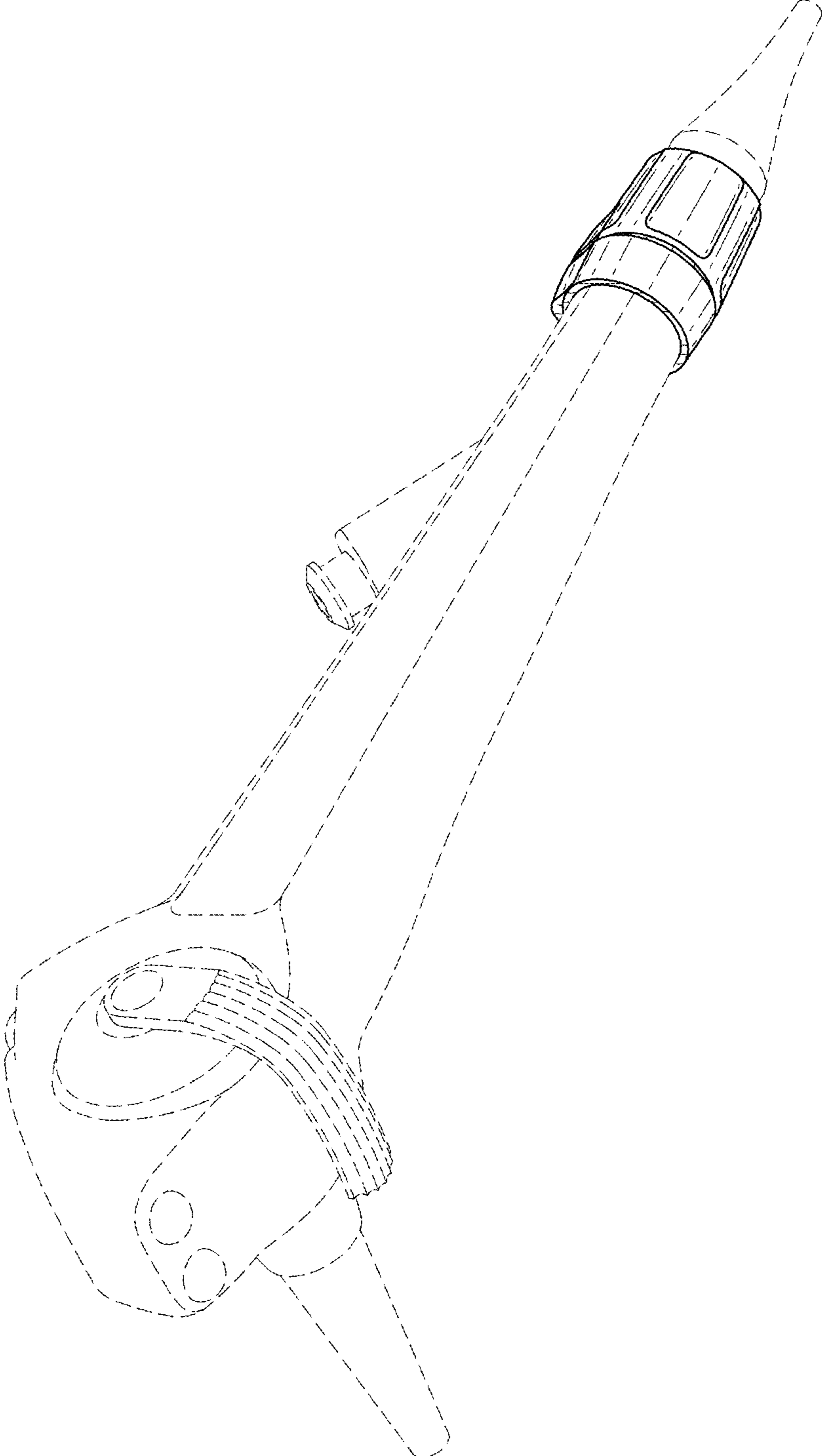


FIG. 5

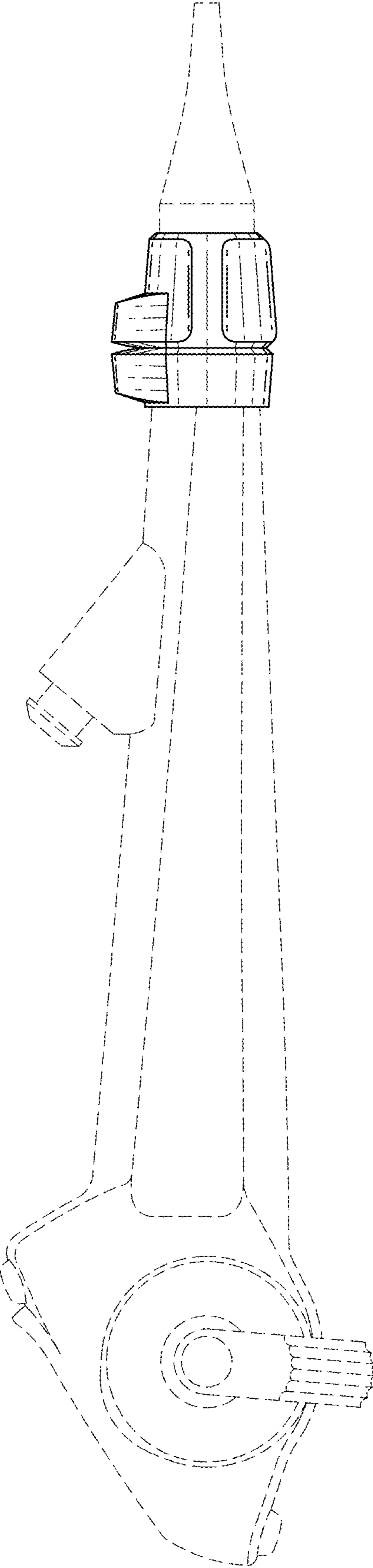


FIG. 6

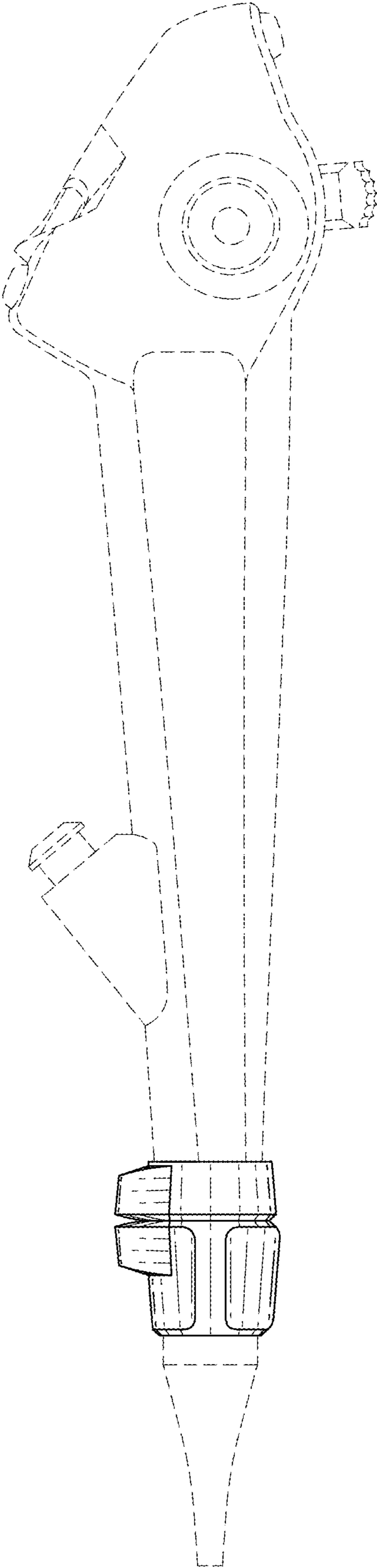


FIG. 7

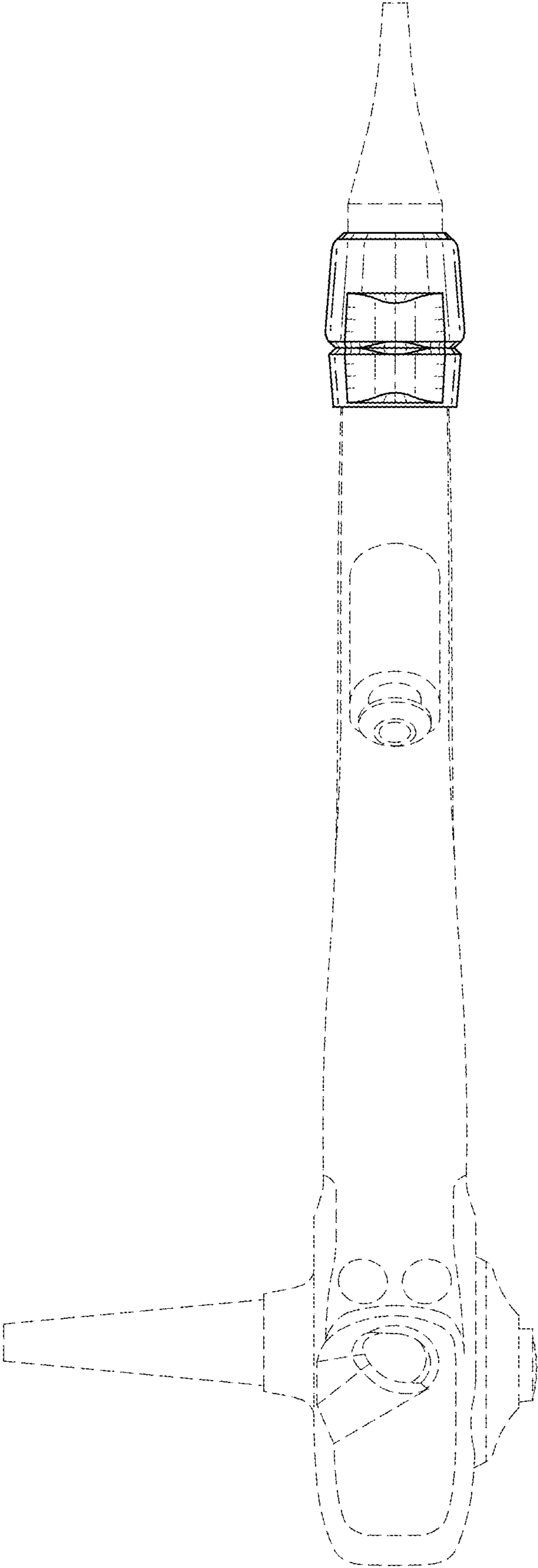




FIG. 8

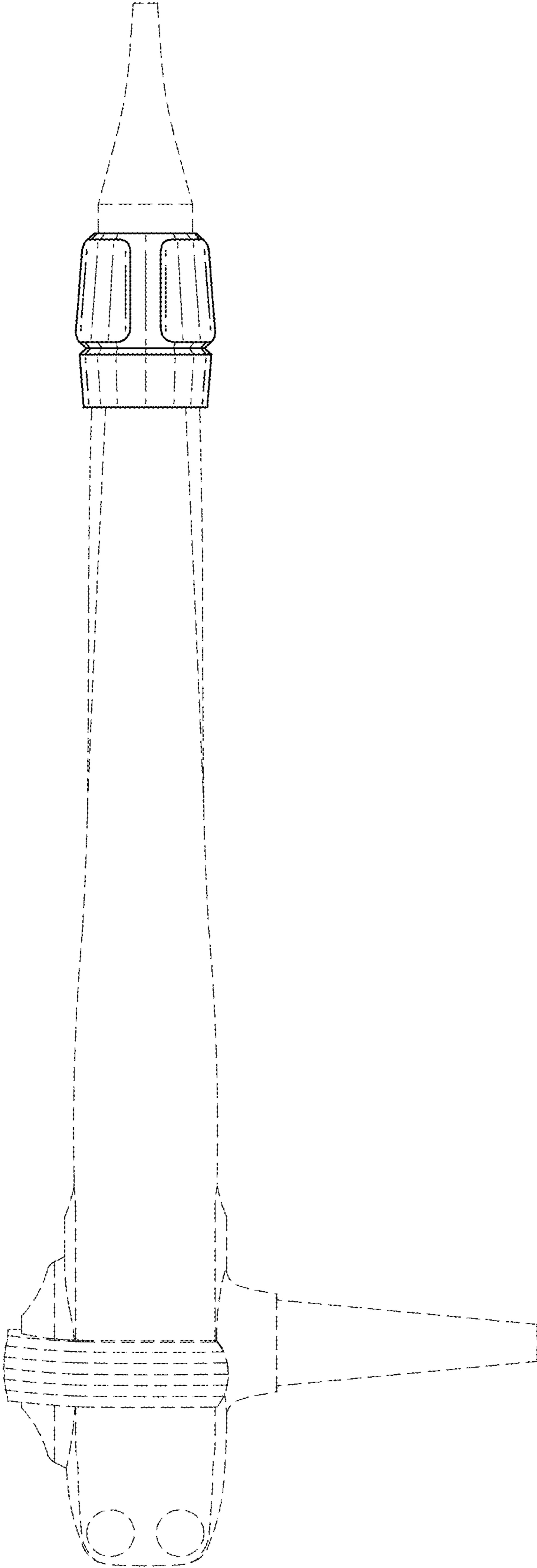


FIG.9

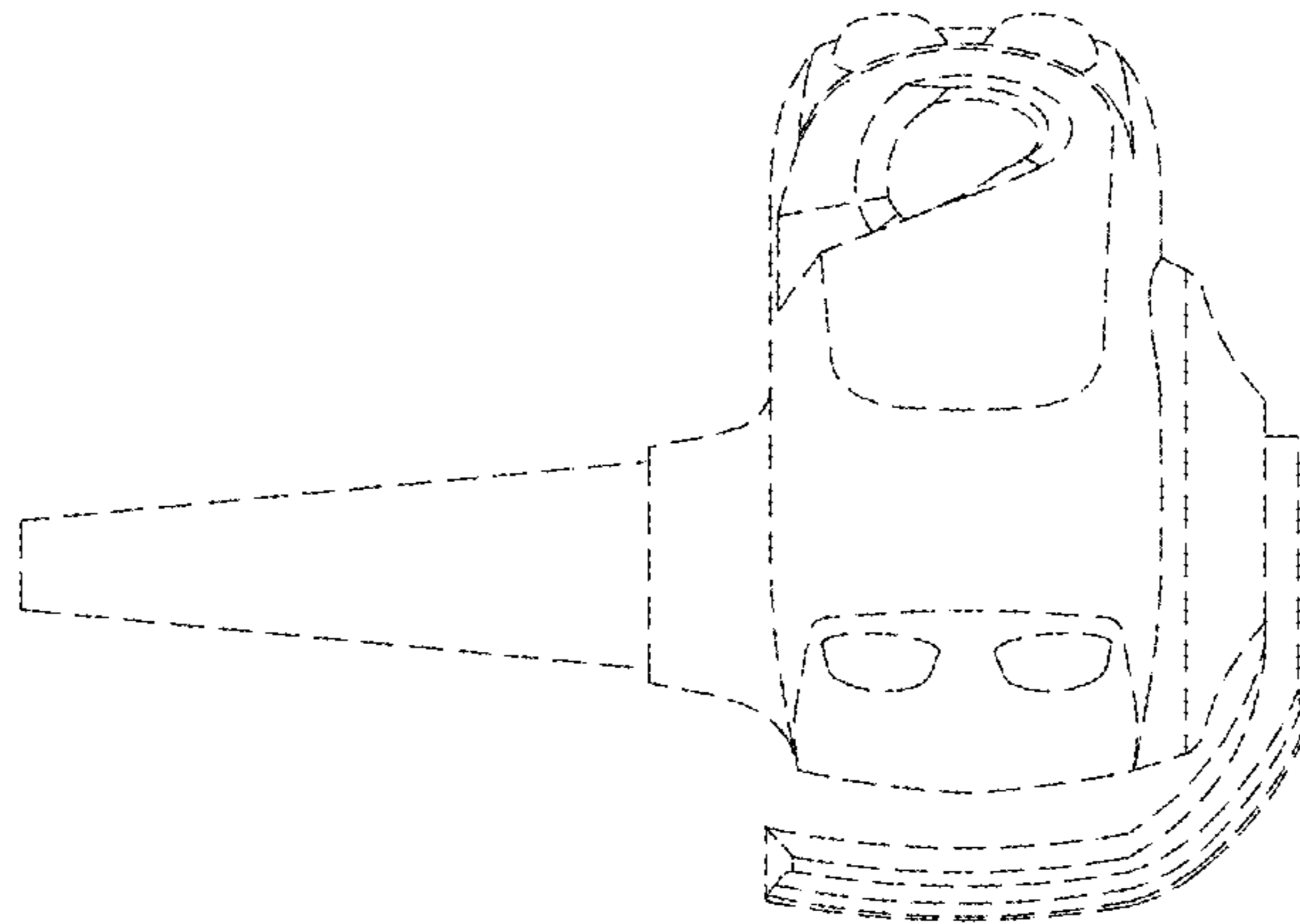


FIG. 10

