



US00D940316S

(12) **United States Design Patent**
Ono

(10) **Patent No.:** **US D940,316 S**

(45) **Date of Patent:** **** Jan. 4, 2022**

(54) **OPERATING GRIP FOR ENDOSCOPE**

(71) Applicant: **FUJIFILM Corporation**, Tokyo (JP)

(72) Inventor: **Hirotohi Ono**, Kanagawa (JP)

(73) Assignee: **FUJIFILM Corporation**, Tokyo (JP)

(**) Term: **15 Years**

(21) Appl. No.: **29/764,349**

(22) Filed: **Dec. 29, 2020**

(30) **Foreign Application Priority Data**

Jun. 30, 2020 (JP) 2020-013309 D

(51) **LOC (13) Cl.** **24-02**

(52) **U.S. Cl.**
USPC **D24/138**

(58) **Field of Classification Search**
USPC D24/138, 137, 127, 113, 108, 133
CPC A61M 25/00; A61M 39/00; A61M 27/00;
A61M 25/0043; A61M 25/0067; A61M
25/0097; A61F 2/958; A61B 1/00126
See application file for complete search history.

(56) **References Cited**

U.S. PATENT DOCUMENTS

D481,124 S * 10/2003 Hayamizu D24/138
D535,393 S * 1/2007 Pilvisto D16/202

D753,298 S * 4/2016 Hayamizu D24/138
D753,823 S * 4/2016 Hayamizu D24/138
D841,159 S * 2/2019 Tanaka D24/138
D871,576 S * 12/2019 Lohk D24/138
D886,999 S * 6/2020 Lohk D24/138
2020/0121164 A1* 4/2020 Jurevicius A61B 1/00039

* cited by examiner

Primary Examiner — Manpreet S Matharu

Assistant Examiner — Yolanda Robinson

(74) *Attorney, Agent, or Firm* — JCIPRNET

(57) **CLAIM**

The ornamental design for an operating grip for endoscope, as shown and described.

DESCRIPTION

FIG. 1 is a top, front and left side perspective view of an operating grip for endoscope showing my new design; FIG. 2 is a top, rear and left side perspective view thereof; FIG. 3 is a top, front and right side perspective view thereof; FIG. 4 is a bottom, front and left side perspective view thereof; FIG. 5 is a front elevational view thereof; FIG. 6 is a rear elevational view thereof; FIG. 7 is a top plan view thereof; FIG. 8 is a bottom plan view thereof; FIG. 9 is a left side elevational view thereof; and, FIG. 10 is a right side elevational view thereof. The broken lines shown in the operating grip for endoscope are for portions that forms no part of the claimed design.

1 Claim, 10 Drawing Sheets

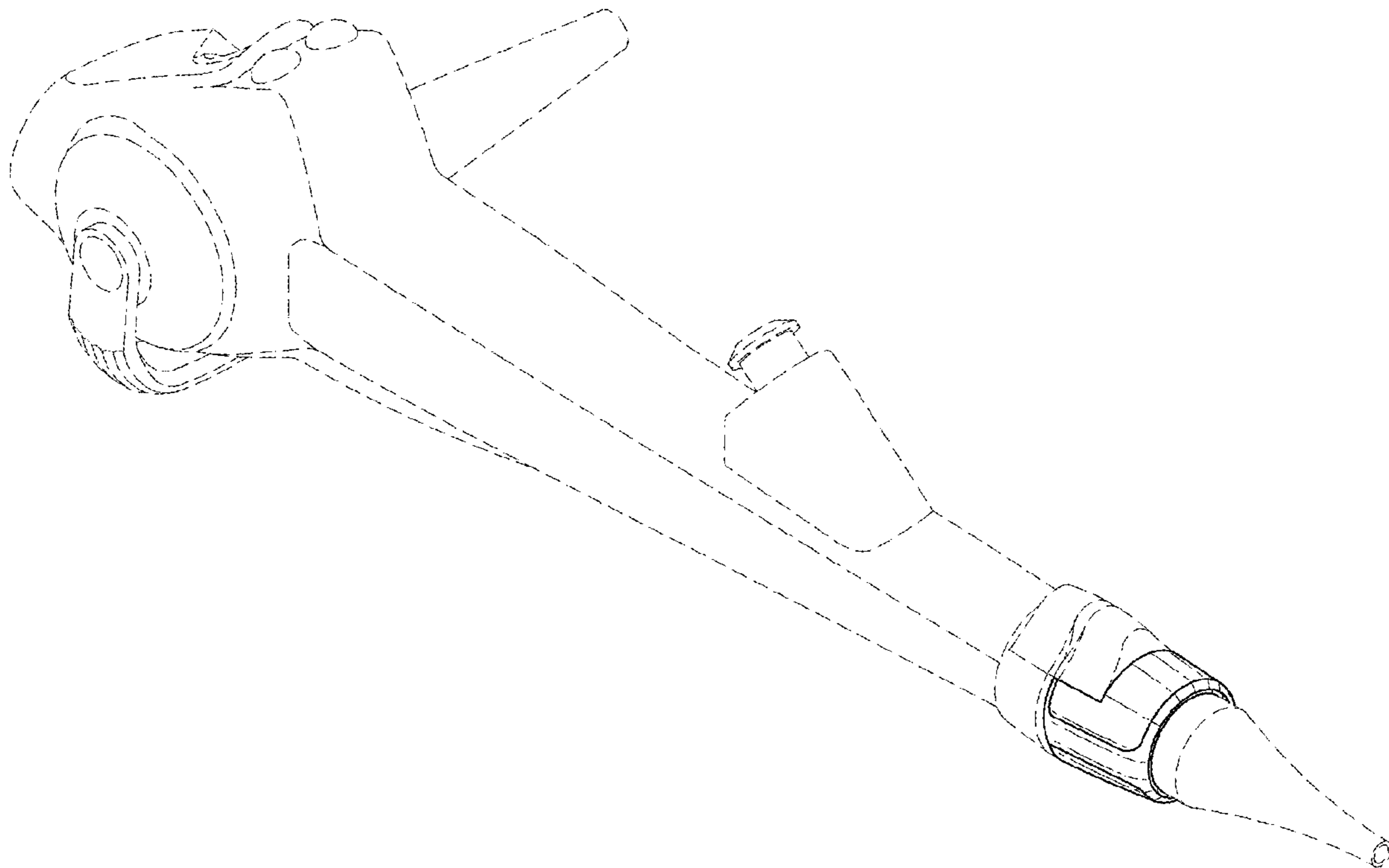


FIG. 1

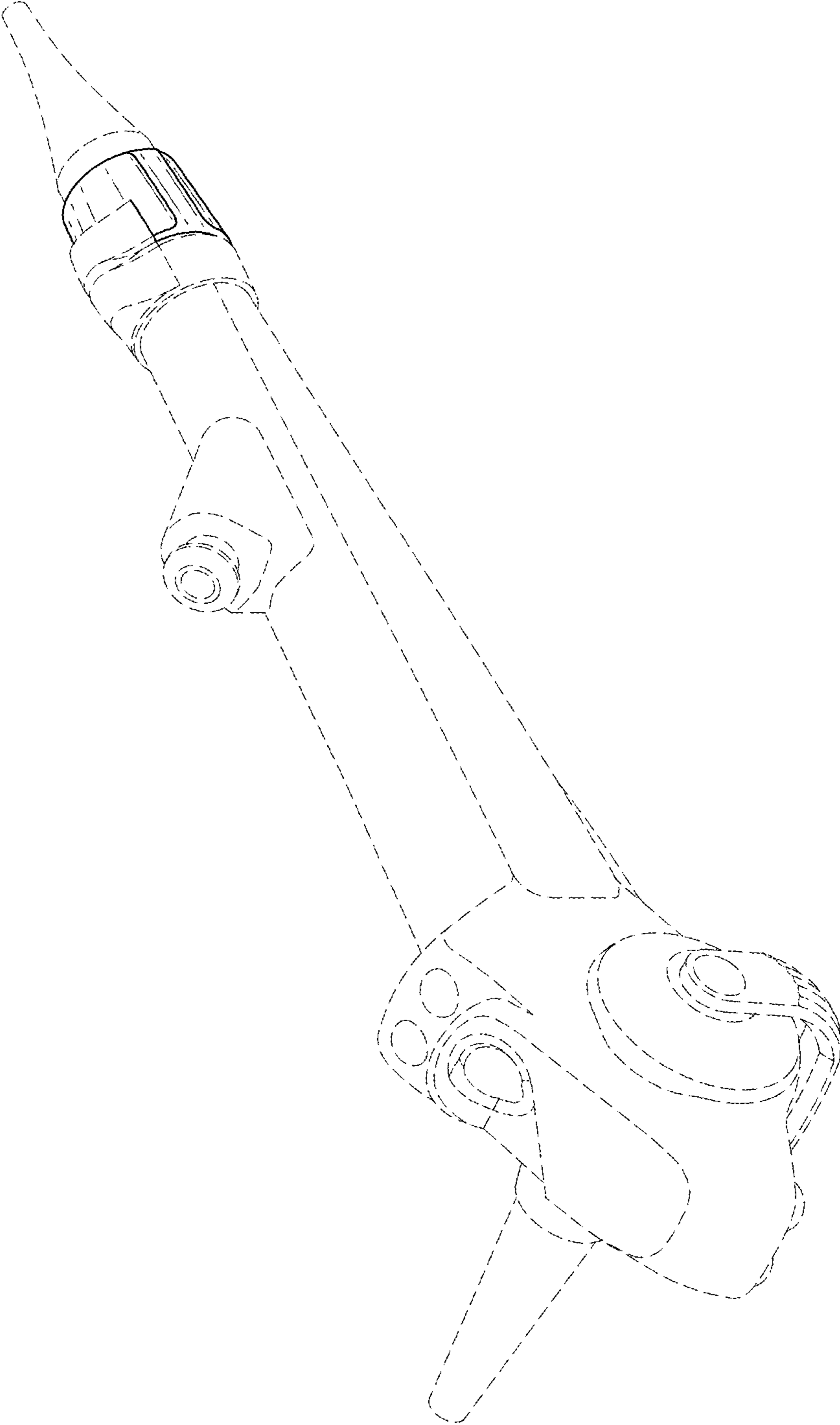


FIG. 2

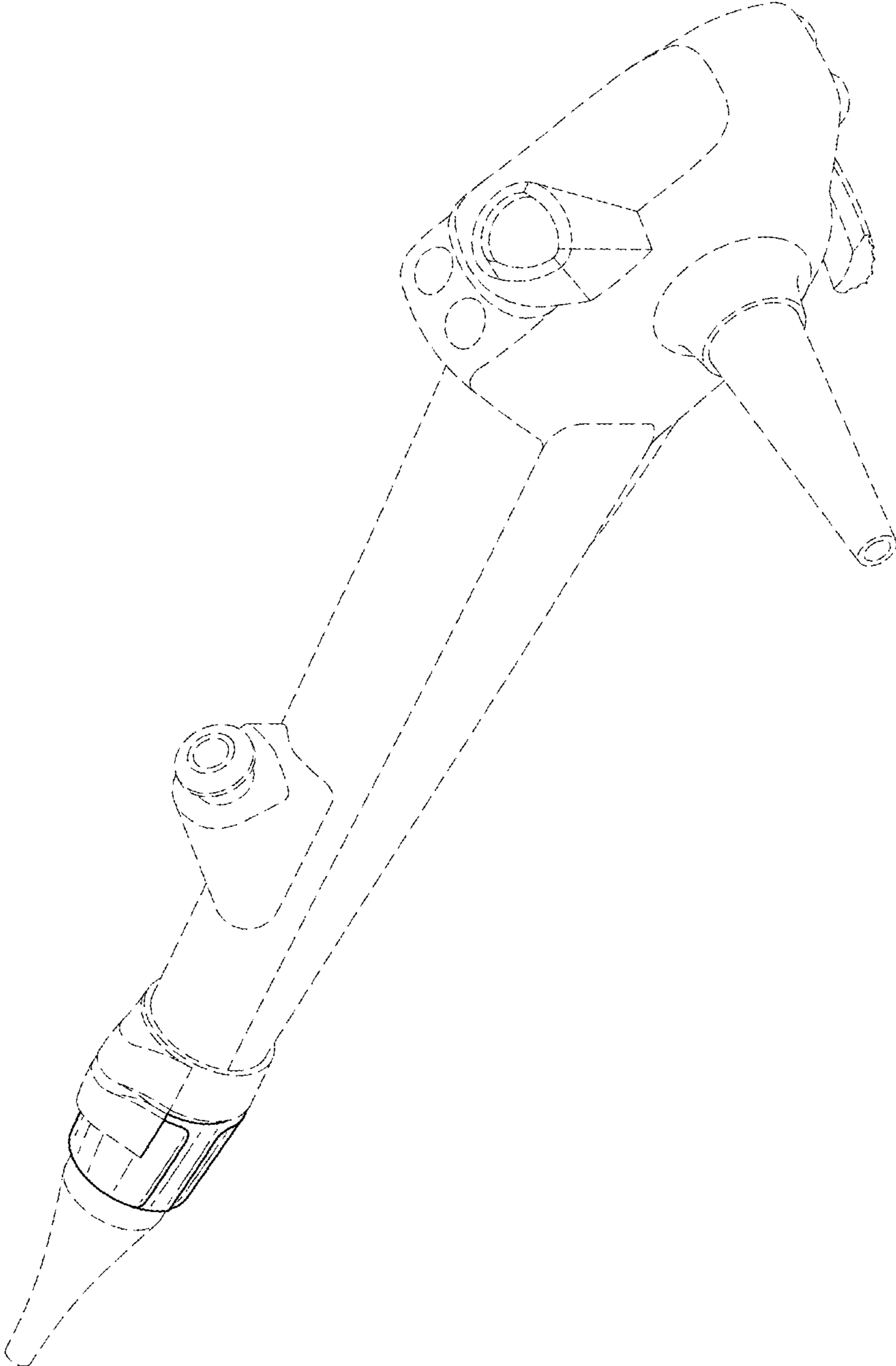


FIG. 3

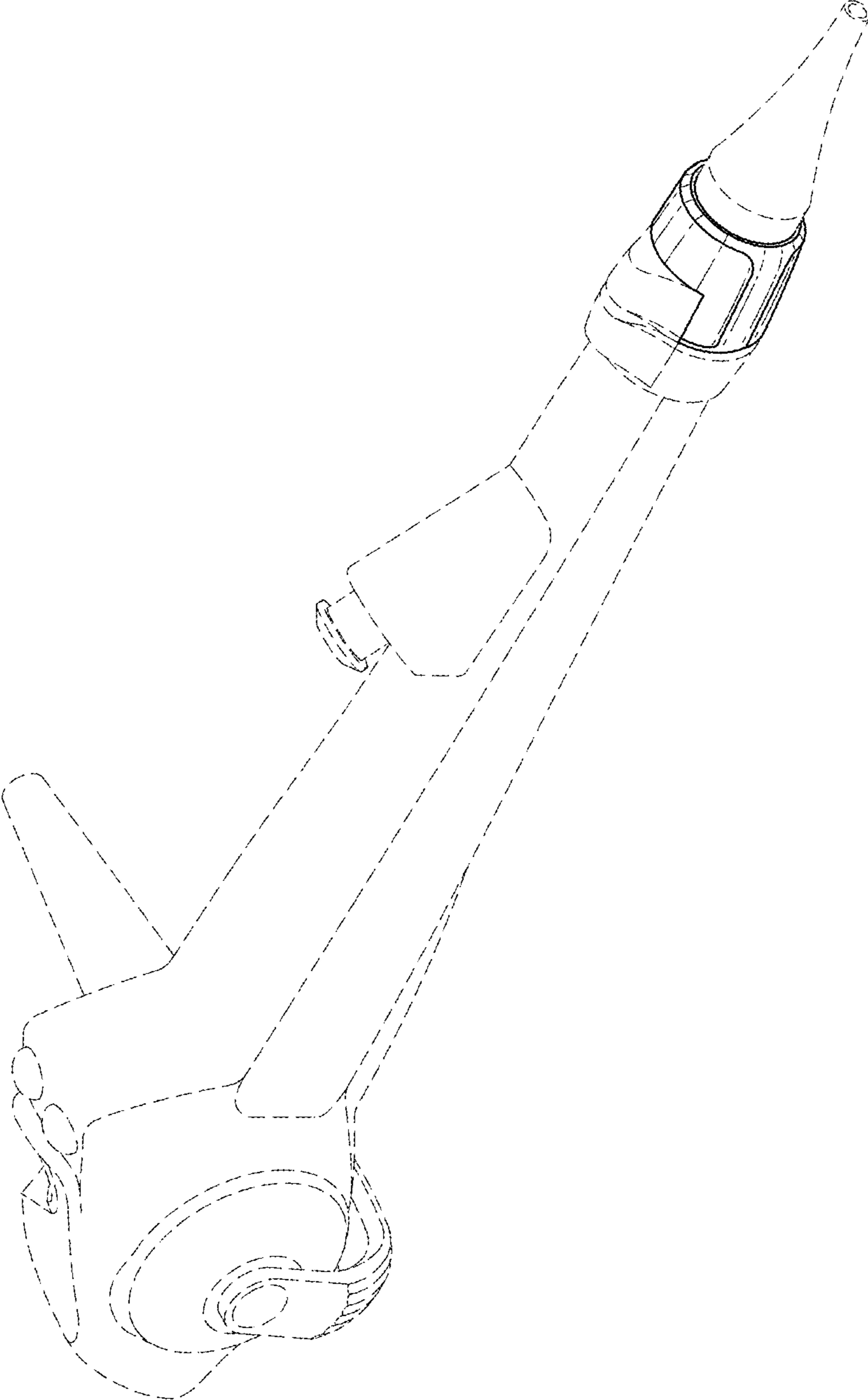


FIG.4

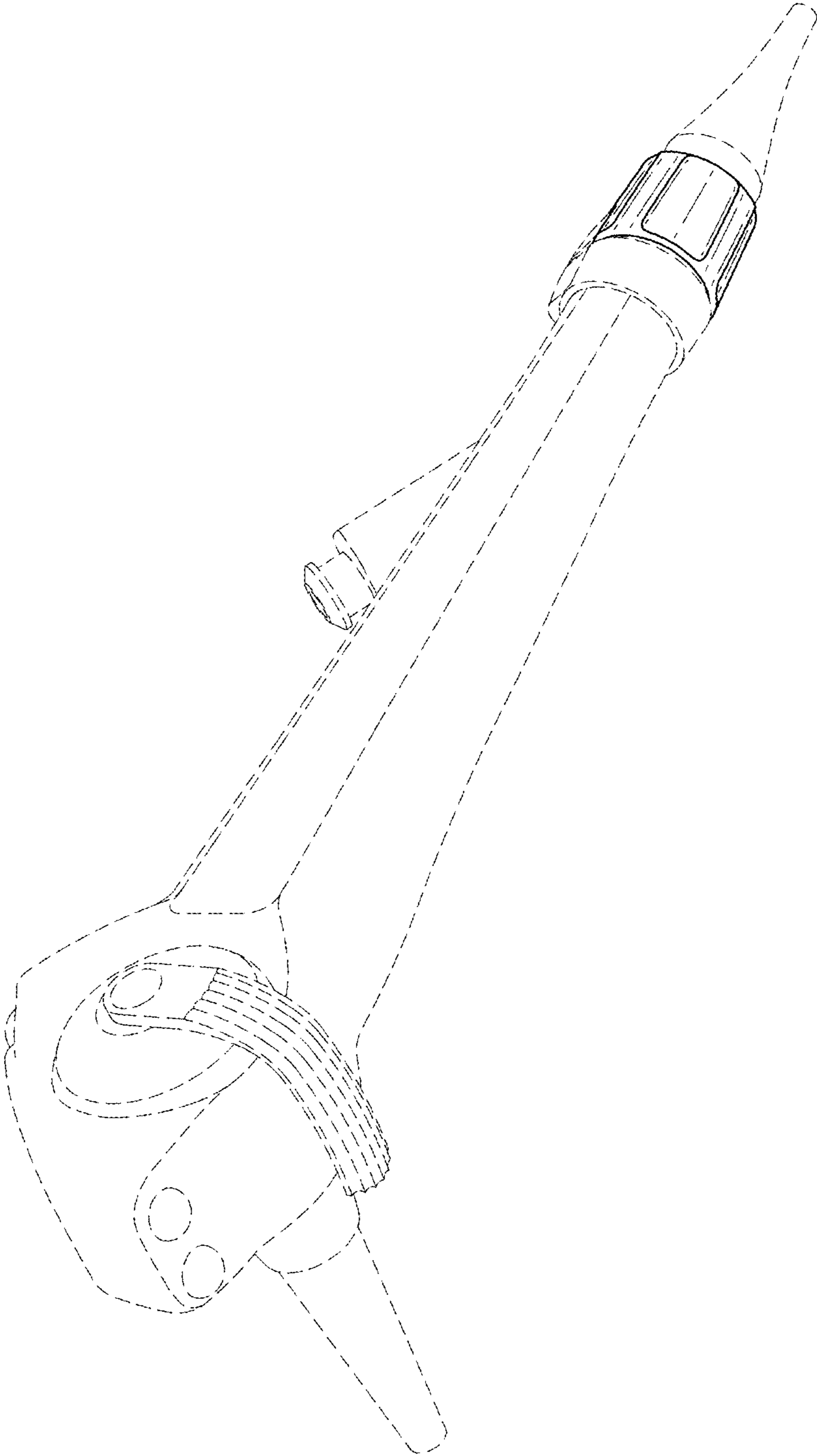


FIG. 5

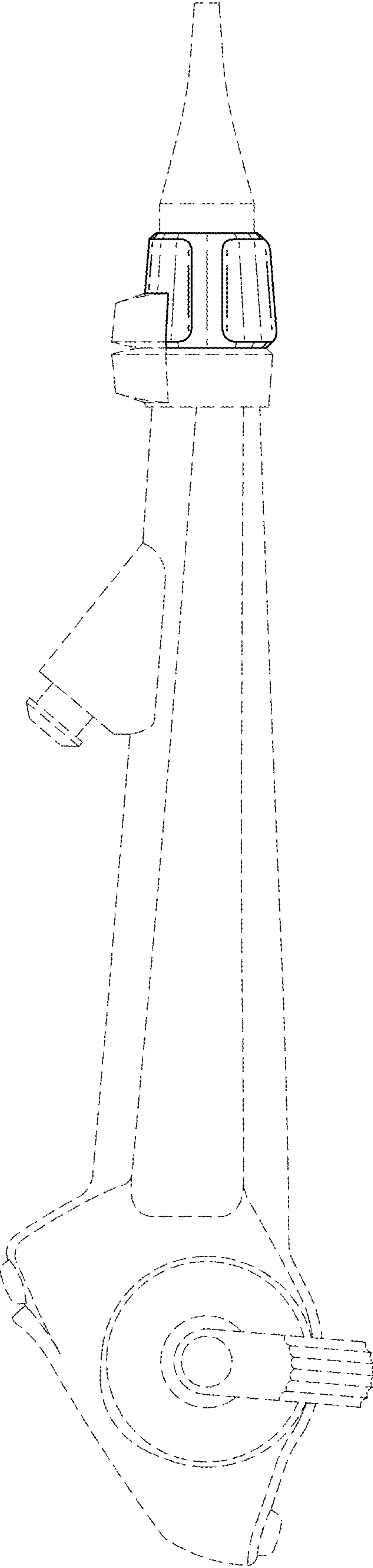


FIG. 6

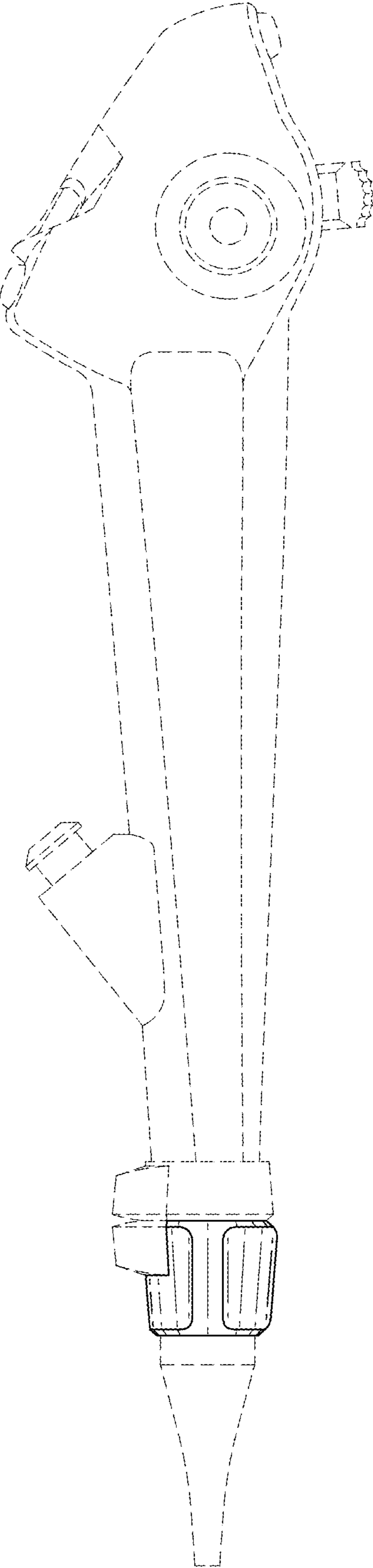


FIG. 7

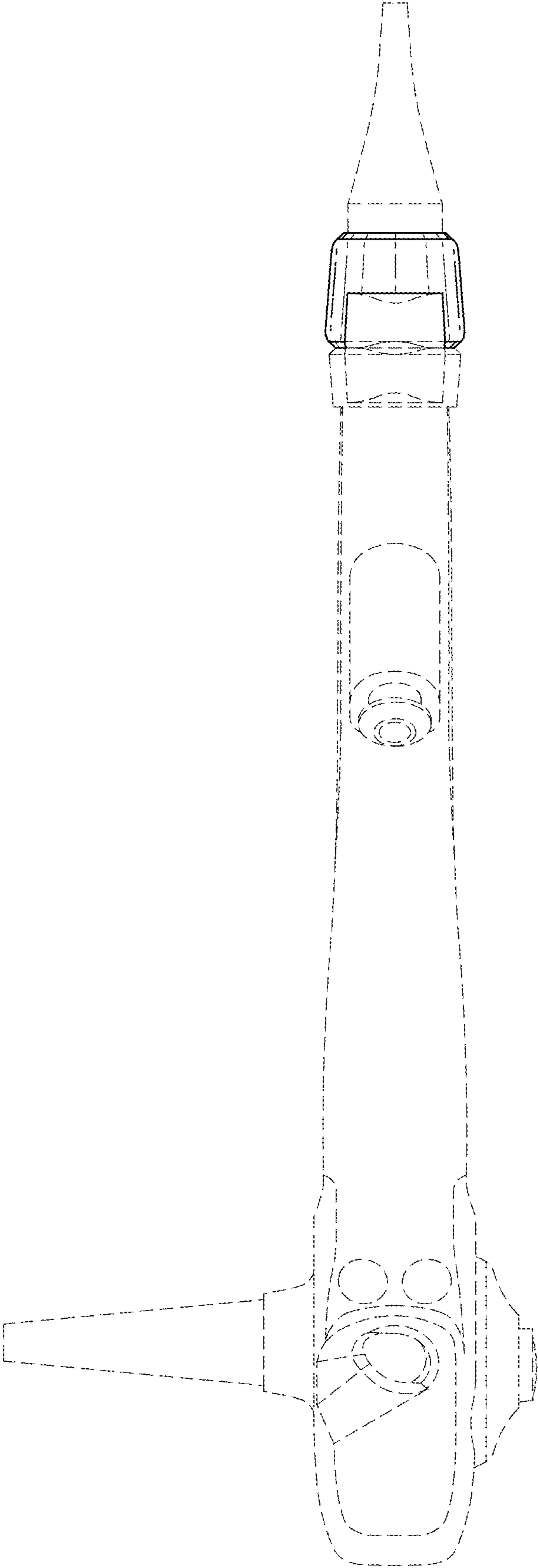


FIG. 8



FIG.9

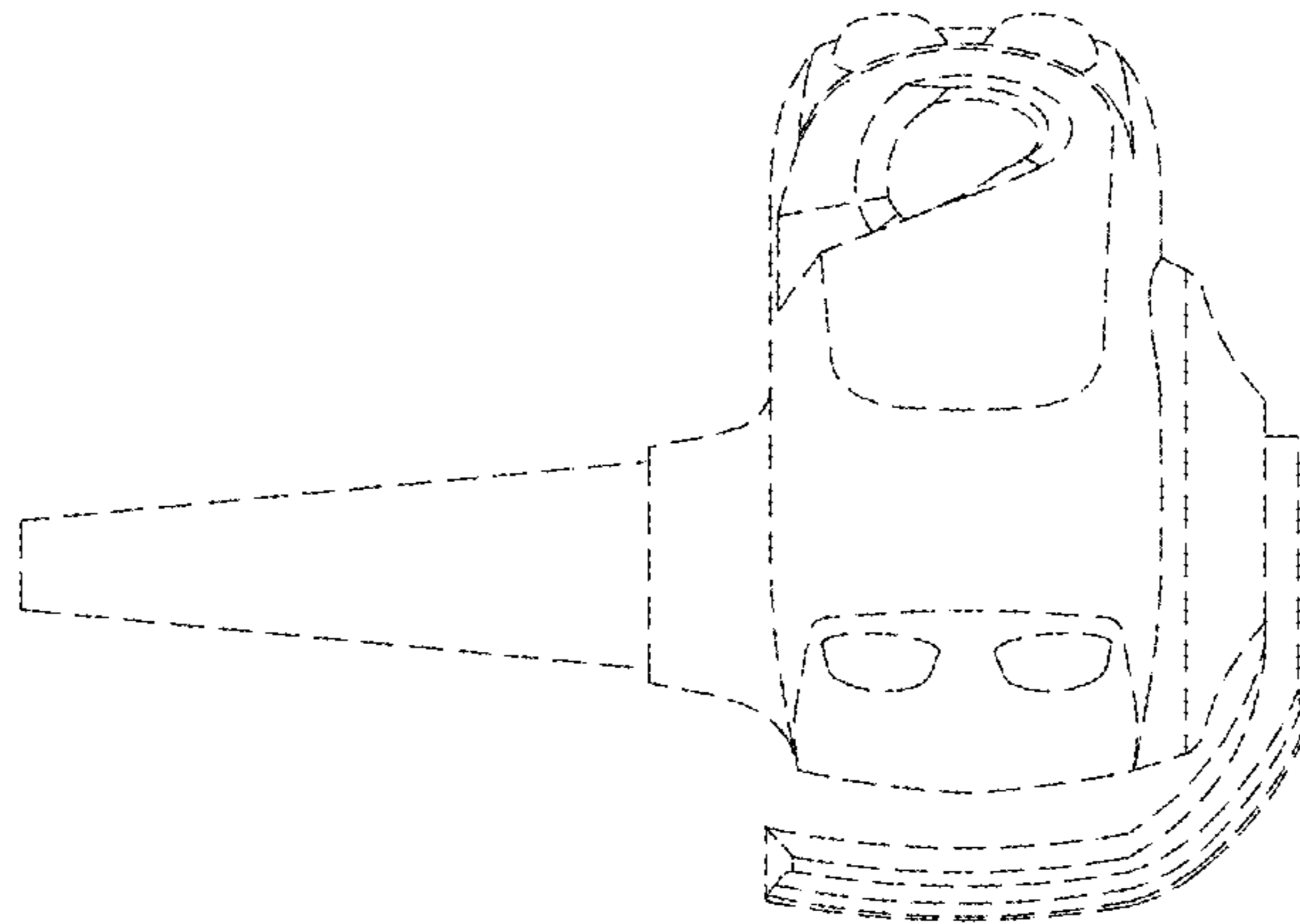


FIG. 10

