

US00D940314S

(12) **United States Design Patent**
Chen

(10) **Patent No.:** **US D940,314 S**

(45) **Date of Patent:** **** Jan. 4, 2022**

- (54) **LARYNGOSCOPE BLADE**
- (71) Applicant: **Tien-Sheng Chen**, Taipei (TW)
- (72) Inventor: **Tien-Sheng Chen**, Taipei (TW)
- (**) Term: **15 Years**
- (21) Appl. No.: **29/738,211**
- (22) Filed: **Jun. 16, 2020**
- (51) **LOC (13) Cl.** **24-02**
- (52) **U.S. Cl.**
USPC **D24/137**
- (58) **Field of Classification Search**
USPC D24/133, 143, 145, 146, 147, 148, 137,
D24/138, 144, 108, 117, 135, 141, 222;
D8/51, 68, 107; 600/131, 132, 145, 146,
600/147, 185, 188, 197
CPC A61B 17/0684; A61B 17/068; A61B
17/0469; A61B 17/320092; A61B 17/32;
A61B 18/1445; A61B 1/00087; A61B
1/00098; A61B 1/0052; A61B 1/00101;
A61B 1/00066; A61B 1/0057; A61B
1/0011; A61B 1/00016; A61B 1/00; A61B
1/00052; A61B 1/267; A61M 25/09;
G06F 3/147
See application file for complete search history.

(56) **References Cited**

U.S. PATENT DOCUMENTS

- 3,426,749 A * 2/1969 Jephcott A61B 1/267
600/186
- 3,643,654 A * 2/1972 Felbarg A61B 1/267
600/189
- 3,766,909 A * 10/1973 Ozbey A61B 1/267
600/193
- 4,432,350 A * 2/1984 Breslau A61M 19/00
600/187
- 4,557,256 A * 12/1985 Bauman A61B 1/267
600/193

- 4,565,187 A * 1/1986 Soloway A61B 1/267
600/193
- 4,573,451 A * 3/1986 Bauman A61B 1/267
600/190
- D297,363 S * 8/1988 Salerno D24/135
- 4,924,855 A * 5/1990 Salerno A61B 1/267
600/199
- D316,898 S * 5/1991 Park D24/138
- 5,063,907 A * 11/1991 Musicant A61B 1/00142
600/186
- D337,384 S * 7/1993 Schucman D24/137
- 5,349,943 A * 9/1994 Ruiz A61B 1/267
600/189
- 5,438,976 A * 8/1995 Nash A61B 1/267
600/186

(Continued)

Primary Examiner — T Chase Nelson
Assistant Examiner — Kelly L Gross
 (74) *Attorney, Agent, or Firm* — Karin L. Williams; Alan
 D. Kamrath; Mayer & Williams PC

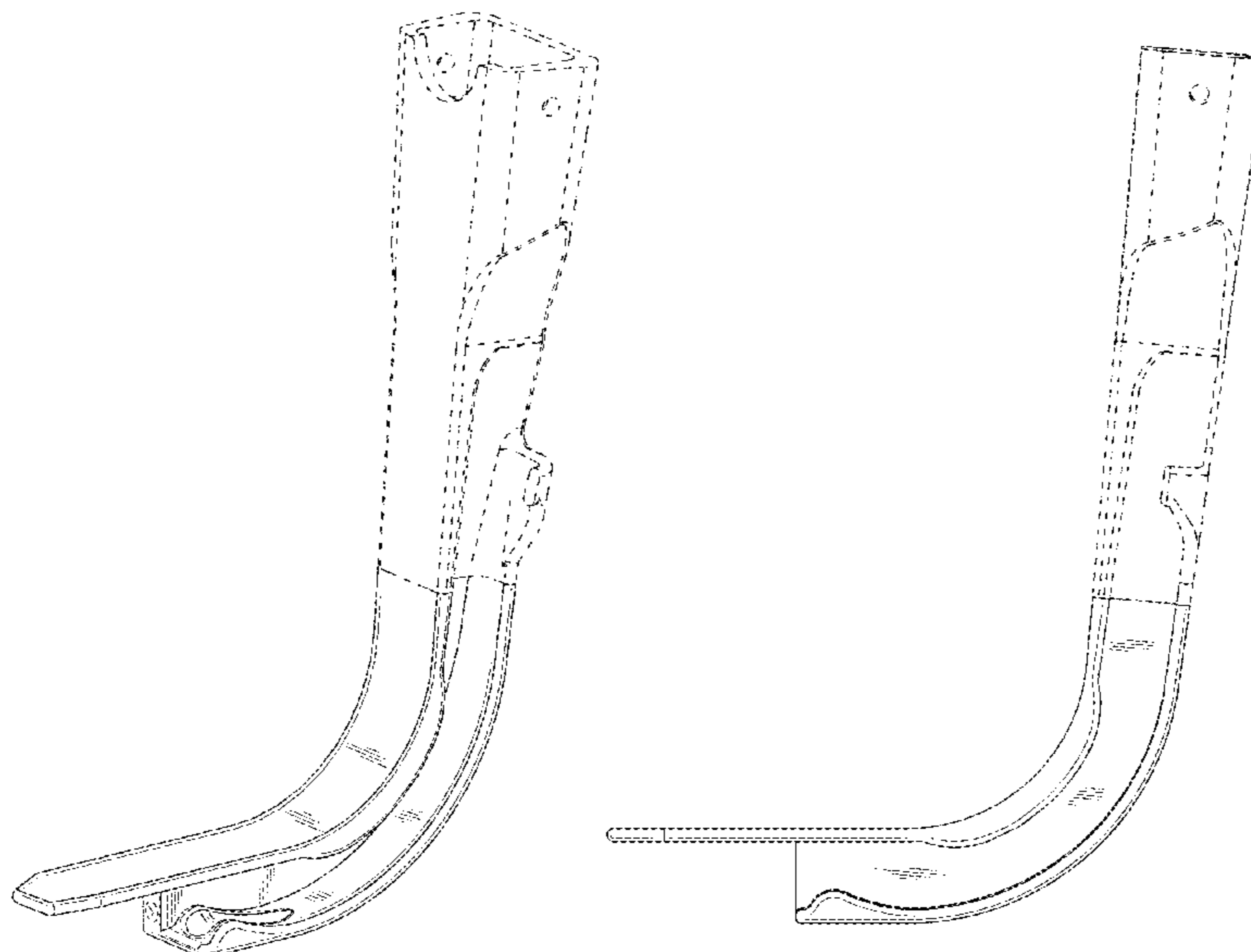
(57) **CLAIM**

The ornamental design for a laryngoscope blade, as shown and described.

DESCRIPTION

FIG. 1 is one perspective view of a laryngoscope blade with the design;
 FIG. 2 is a left view thereof;
 FIG. 3 is a right view thereof;
 FIG. 4 is a front view thereof;
 FIG. 5 is a rear view thereof;
 FIG. 6 is a top view thereof; and,
 FIG. 7 is a bottom view thereof.
 The broken lines shown on the drawing depict portions of the laryngoscope blade that form no part of the claimed design. The alternating length broken lines immediately adjacent the shaded surfaces depict the boundaries of the claimed design, and also form no part of the claimed design.

1 Claim, 6 Drawing Sheets



(56)

References Cited

U.S. PATENT DOCUMENTS

2014/0202459 A1* 7/2014 Iqbal A61B 1/267
128/200.26
2014/0228645 A1* 8/2014 Pourshams A61B 1/00071
600/190
2015/0051447 A1* 2/2015 Swift A61B 1/267
600/193
2015/0112146 A1* 4/2015 Donaldson A61B 1/00032
600/188
2016/0000305 A1* 1/2016 Elbaz A61B 1/00062
600/193
2017/0079518 A1* 3/2017 Elbaz A61B 1/0011
2018/0008137 A1* 1/2018 Poormand A61B 1/00103
2018/0132709 A1* 5/2018 Chen A61B 1/00045
2018/0296081 A1* 10/2018 Cook A61B 1/00066
2019/0053698 A1* 2/2019 Young A61B 1/267
2019/0174991 A1* 6/2019 Rovira Soriano A61B 1/06
2020/0288961 A1* 9/2020 Elbaz A61B 1/07
2020/0375447 A1* 12/2020 Kotamarti A61B 1/00055
2020/0397274 A1* 12/2020 Velez Rivera A61B 1/0008

* cited by examiner

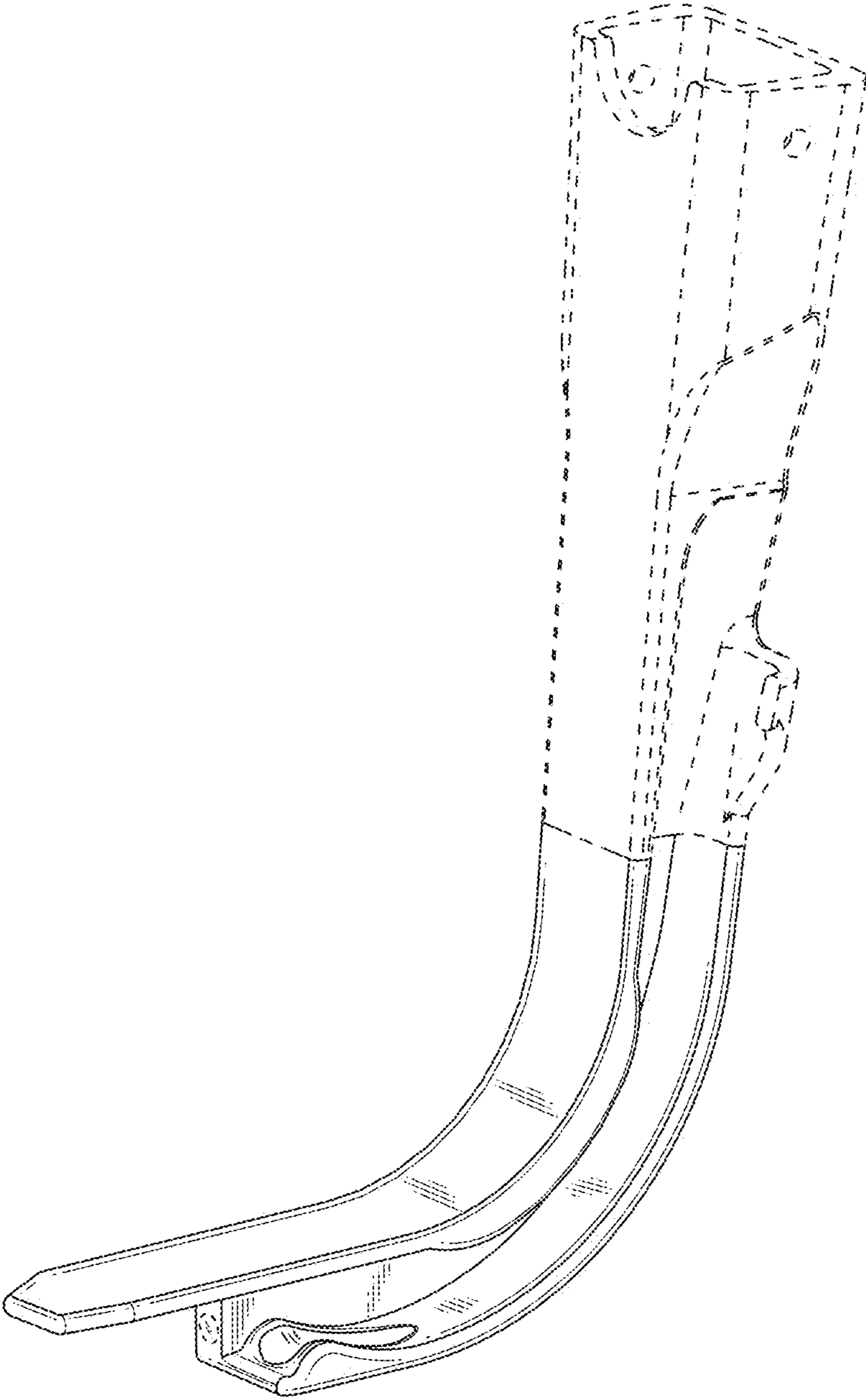


FIG. 1

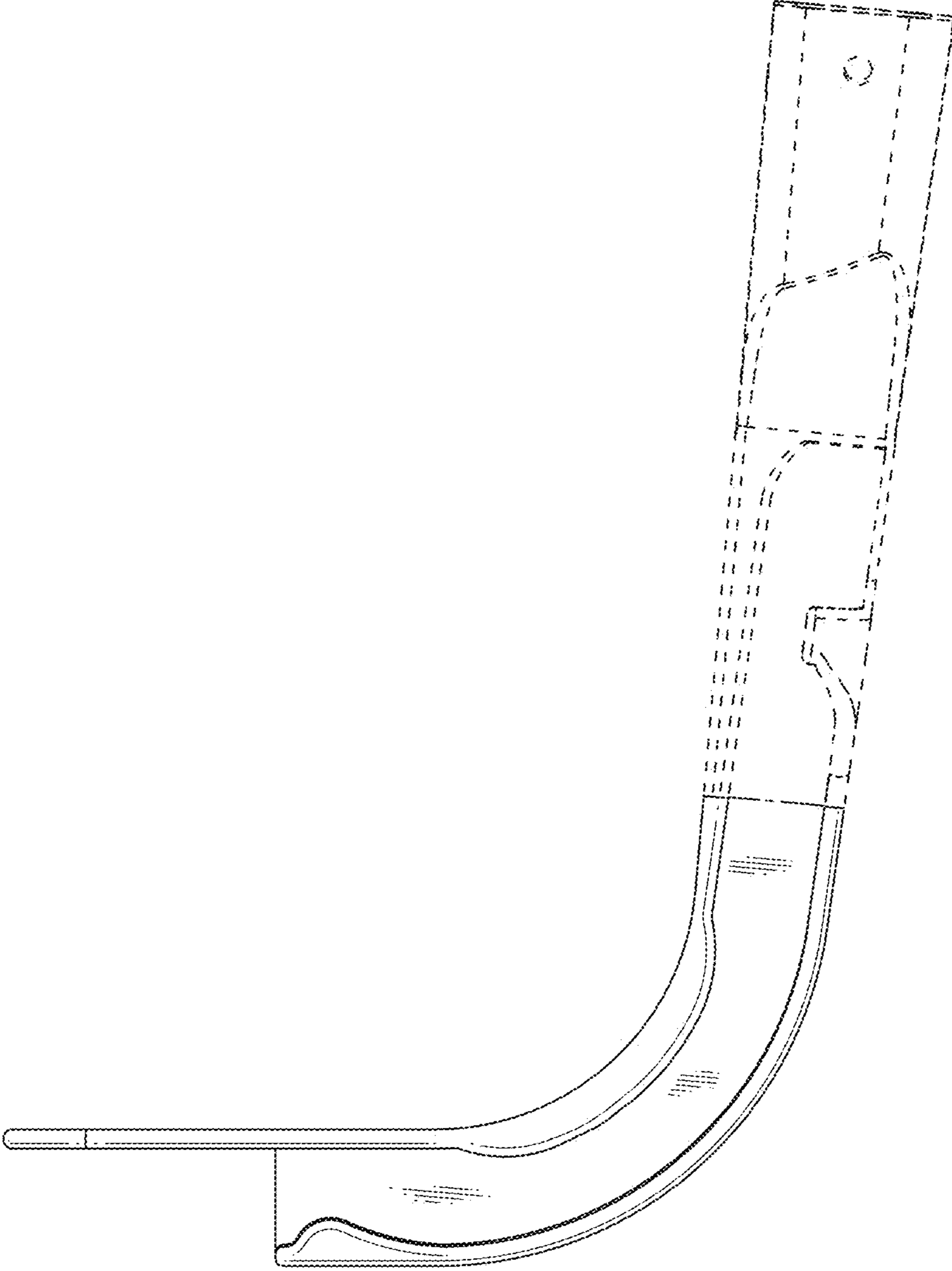


FIG. 2

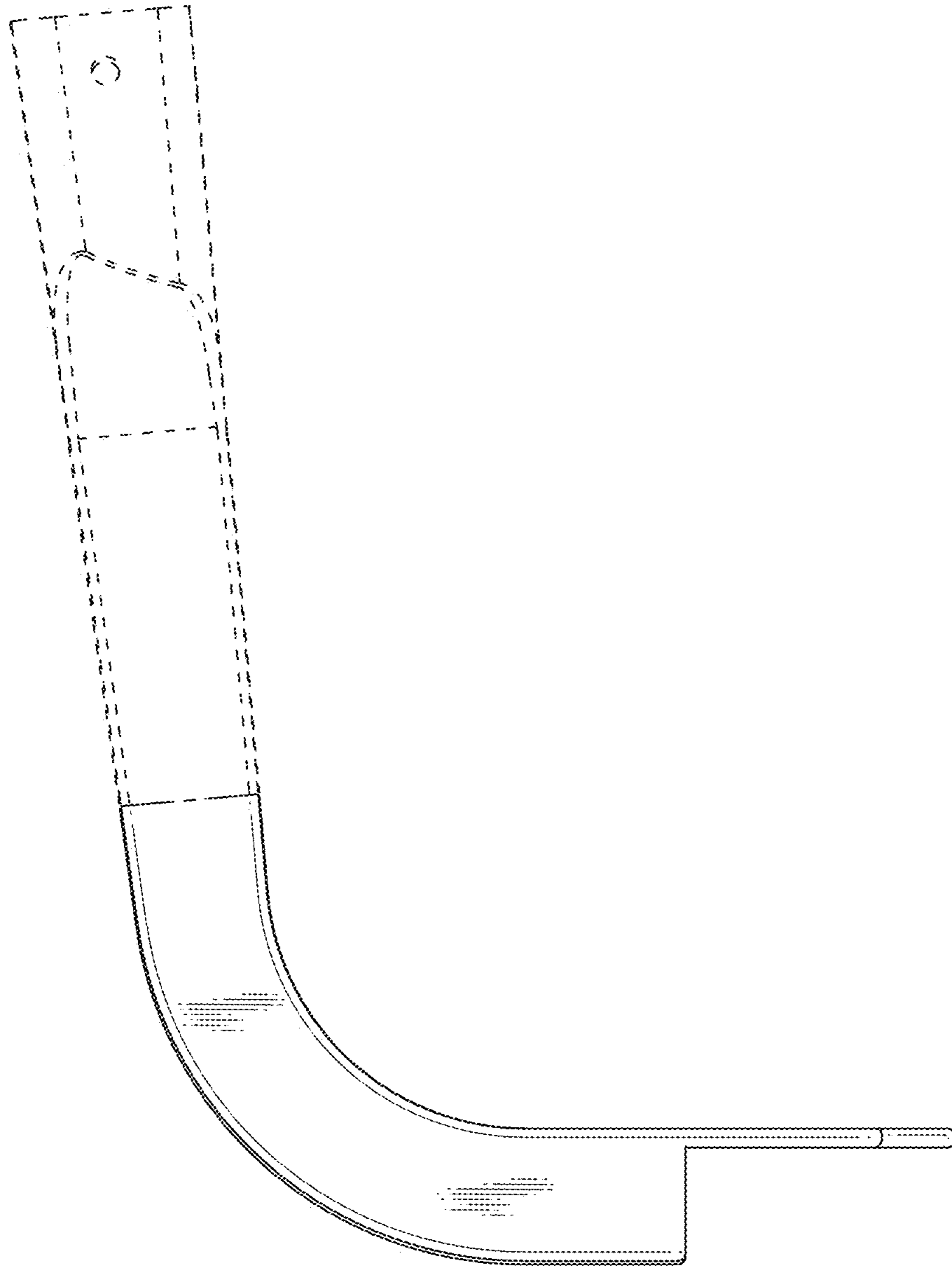


FIG. 3

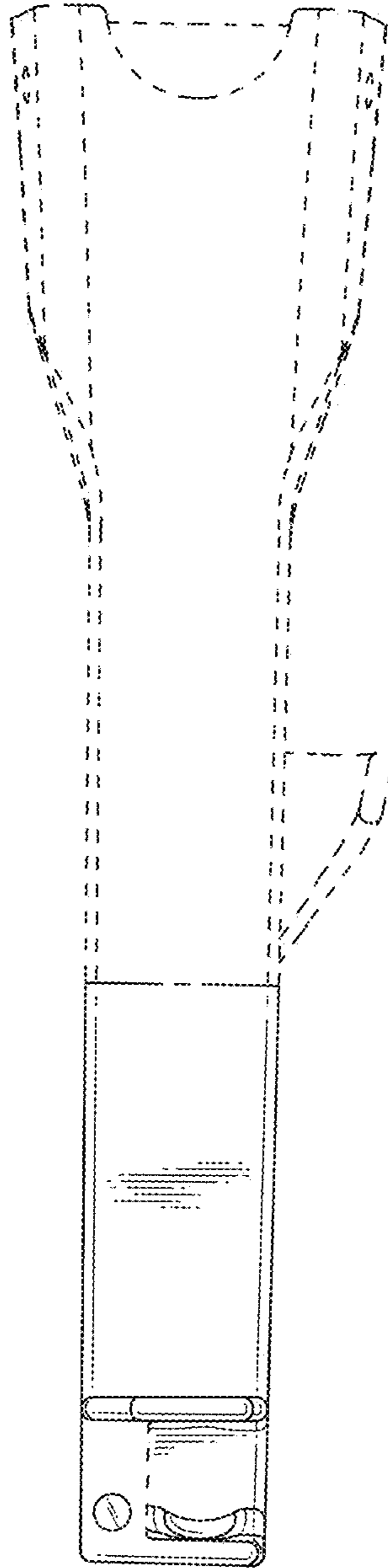


FIG. 4

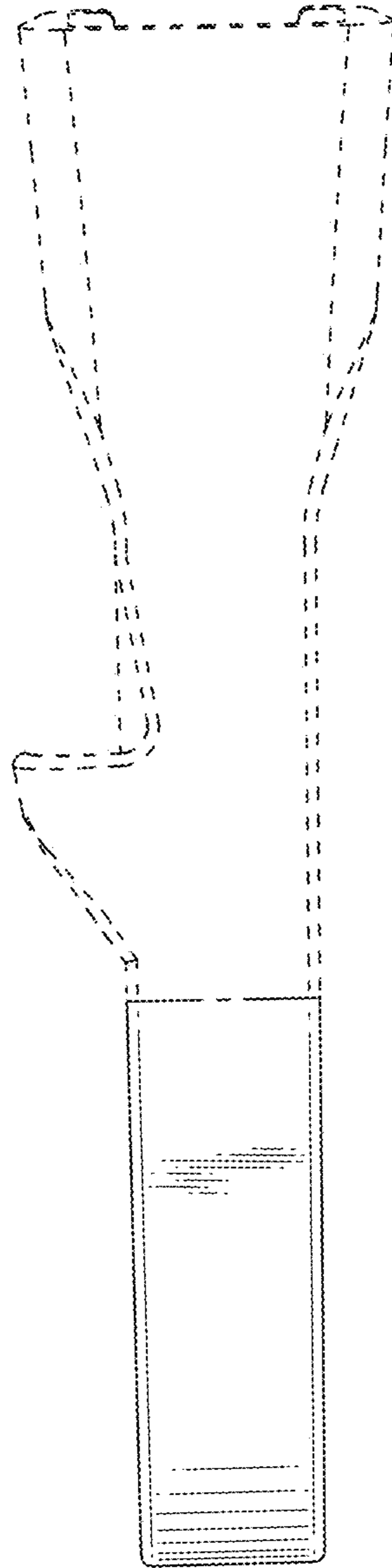


FIG. 5

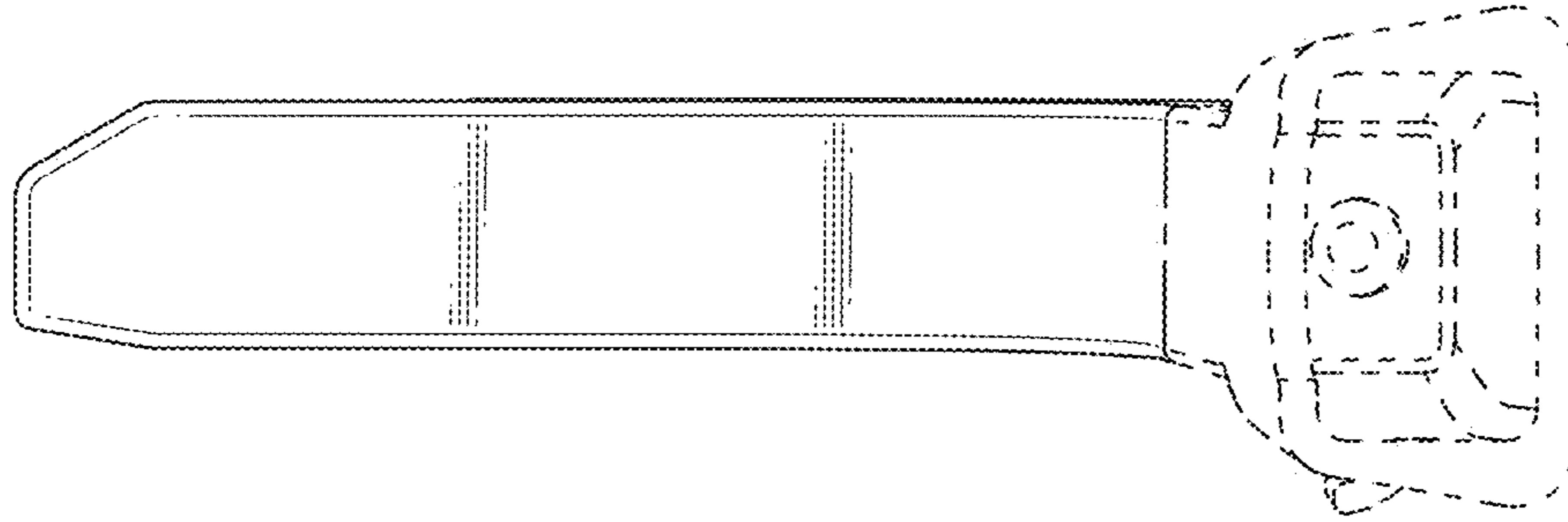


FIG. 6

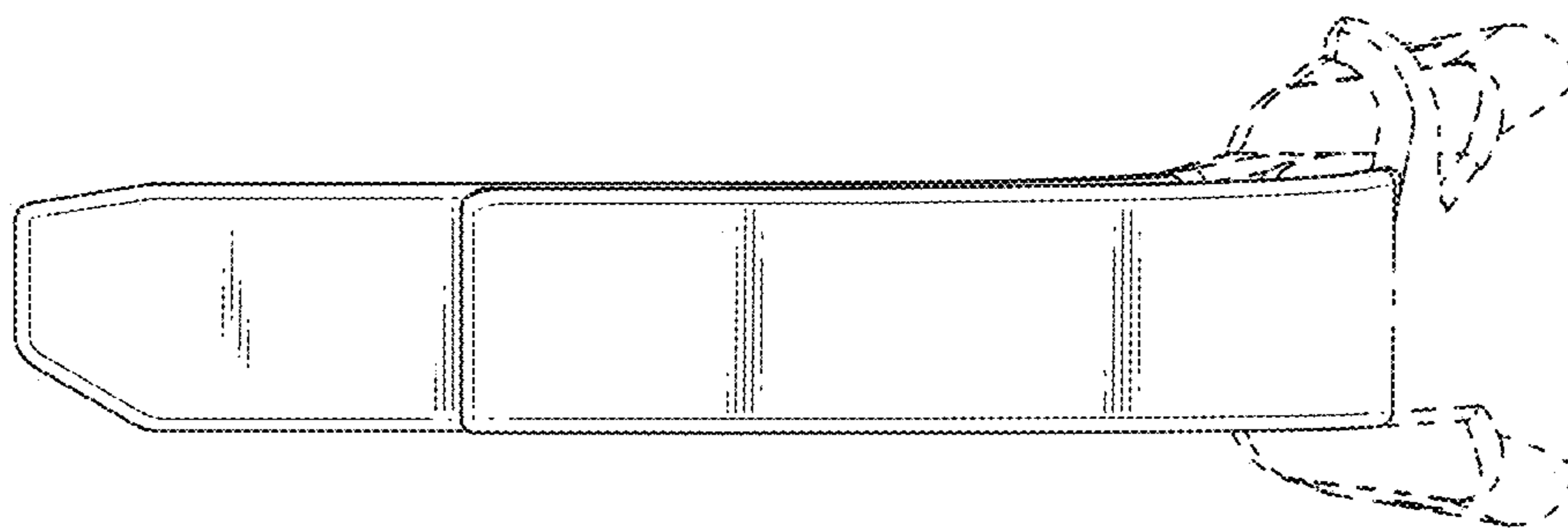


FIG. 7