



US00D940312S

(12) **United States Design Patent**
Heine et al.

(10) **Patent No.:** **US D940,312 S**
(45) **Date of Patent:** **** Jan. 4, 2022**

(54) **DERMATOSCOPE**

(71) Applicant: **Heine Optotechnik GmbH & Co. KG**,
Gilching (DE)

(72) Inventors: **Oliver Heine**, Herrsching (DE); **Tobias Hager**, Paehl/Vorderfischen (DE)

(73) Assignee: **Heine Optotechnik GmbH & Co. KG**,
Gilching (DE)

(**) Term: **15 Years**

(21) Appl. No.: **29/716,697**

(22) Filed: **Dec. 11, 2019**

(30) **Foreign Application Priority Data**

Oct. 9, 2019 (EM) 007002639-0001

(51) **LOC (13) Cl.** **24-02**

(52) **U.S. Cl.**
USPC **D24/137; D24/133**

(58) **Field of Classification Search**
USPC D24/133, 137, 200, 211, 212, 213, 214,
D24/215, 150, 151, 157, 158; D16/130,
D16/208, 237; D4/102

CPC A61H 1/00; A61H 2015/0007; A61H
2015/0014; A61H 2015/0042; A61H
15/00; A61H 11/00; A61H 21/00; A61H
37/00

See application file for complete search history.

(56) **References Cited**

U.S. PATENT DOCUMENTS

D321,056 S * 10/1991 Chambers D24/211
D322,676 S * 12/1991 Chambers D24/206
D323,034 S * 1/1992 Reinstein D24/200
D331,288 S * 11/1992 Yuen D24/200
D333,351 S * 2/1993 Tsou D24/206
D334,430 S * 3/1993 Tsou D24/214
D342,539 S * 12/1993 Miyahara D16/202

D355,259 S * 2/1995 Lie D24/215
D368,343 S * 3/1996 Gebhard D24/215
D396,240 S * 7/1998 Hasegawa D16/134
D401,603 S * 11/1998 Hasegawa D16/202
D403,075 S * 12/1998 Lie D24/214
D414,582 S * 9/1999 Hwang D28/9
D418,853 S * 1/2000 Kubota D16/202
D421,128 S * 2/2000 Fields D24/214
D421,305 S * 2/2000 Brilliant D24/176
D422,082 S * 3/2000 Kimball D24/151

(Continued)

OTHER PUBLICATIONS

Heine Delta 30, [site visited Jul. 14, 2021]. Available from Internet.
URL: <https://www.youtube.com/watch?v=nBUSxu1YnBs&t=1s> (Year:
2020).*

Primary Examiner — T Chase Nelson

Assistant Examiner — Kelly L Gross

(74) *Attorney, Agent, or Firm* — Riley Intellectual
Property Law, LLC

(57) **CLAIM**

We claim the ornamental design for a dermatoscope, as
shown and described.

DESCRIPTION

FIG. 1 is an isometric projection from a front right perspec-
tive of a dermatoscope according to the new design;

FIG. 2 is a front view thereof;

FIG. 3 is a rear view thereof;

FIG. 4 is a right side view thereof, the left side view being
a mirror image thereof;

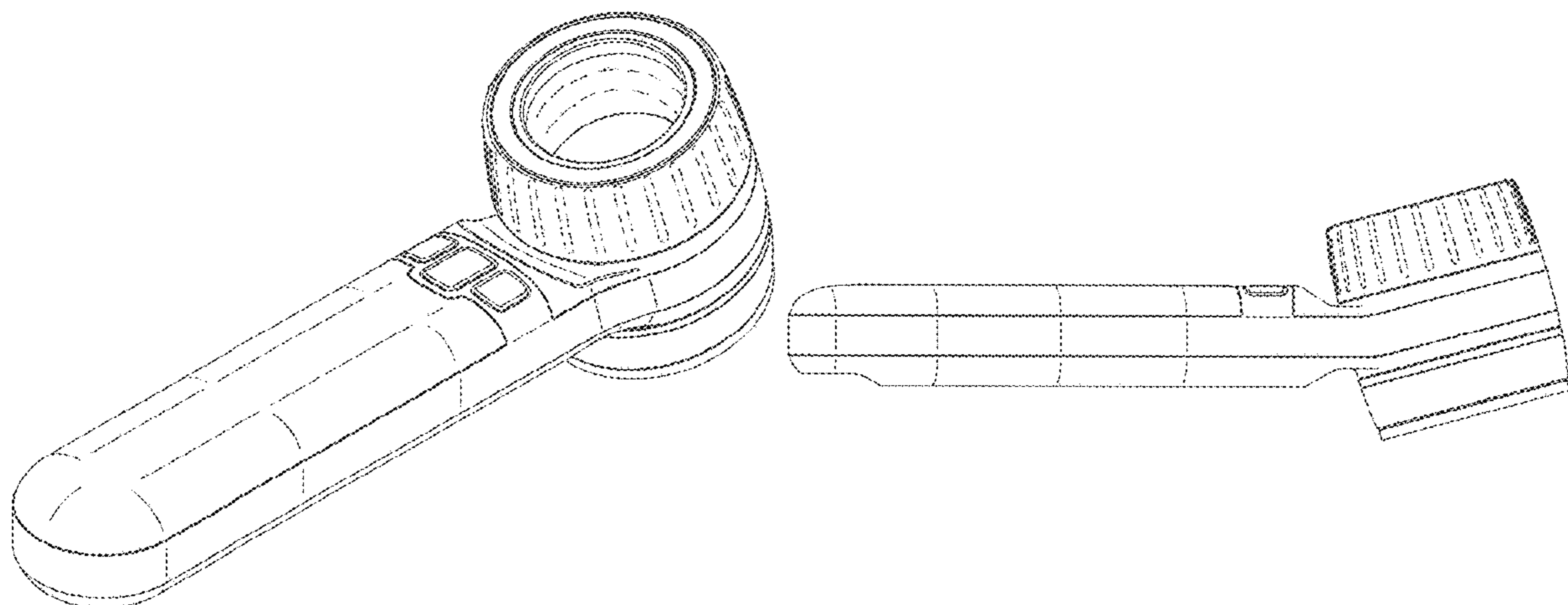
FIG. 5 is an isometric projection from a rear right perspec-
tive thereof;

FIG. 6 is an enlarged bottom view thereof; and,

FIG. 7 is an enlarged top view thereof.

The broken lines illustrate portions of the article that are
shown for illustrative purposes only and form no part of the
claimed design.

1 Claim, 7 Drawing Sheets



(56)

References Cited

U.S. PATENT DOCUMENTS

D423,491 S *	4/2000	Harris	D14/130	D734,479 S *	7/2015	Youngquist	D24/209
D429,269 S *	8/2000	Renkis	D16/202	D735,958 S *	8/2015	Koptis	D32/14.1
D429,743 S *	8/2000	Renkis	D16/202	D736,462 S *	8/2015	Hendler	D28/9
D448,852 S *	10/2001	Engelen	D24/215	D736,918 S *	8/2015	Liu	D24/137
D452,871 S *	1/2002	Nappa	D16/135	D738,516 S *	9/2015	Karim	D24/200
D491,968 S *	6/2004	Isshiki	D16/203	D741,601 S *	10/2015	Helmbold	D4/102
D493,621 S *	8/2004	Wilson	D4/116	D742,003 S *	10/2015	Tasar	D24/146
D496,355 S *	9/2004	Harshbarger	D14/248	D742,647 S *	11/2015	Hosier	D4/102
D500,854 S *	1/2005	Eichel	D24/133	D749,325 S *	2/2016	Middendorp	D4/102
D509,840 S *	9/2005	Lewis	D16/135	D756,528 S *	5/2016	Grant	D24/214
D526,340 S *	8/2006	Hodgson	D16/135	D757,953 S *	5/2016	Philips	D24/200
D533,943 S *	12/2006	Chen	D24/146	D759,256 S *	6/2016	Chen	D24/200
D535,397 S *	1/2007	Chen	D24/146	D759,831 S *	6/2016	Levi	D24/200
D542,820 S *	5/2007	Depay	D16/202	D760,498 S *	7/2016	Kim	D4/102
D544,092 S *	6/2007	Lewis	D24/108	D767,897 S *	10/2016	Hosier	D4/102
D556,231 S *	11/2007	Kato	D16/202	D773,823 S *	12/2016	Wong	D4/102
D561,217 S *	2/2008	Young	D16/135	D774,193 S *	12/2016	Makmel	D24/152
D561,343 S *	2/2008	Liang	D24/215	D780,737 S *	3/2017	Yoshida	D14/248
D564,006 S *	3/2008	Stephens	D16/208	D784,703 S *	4/2017	Grabes	D4/102
D564,559 S *	3/2008	Stephens	D16/208	D785,065 S *	4/2017	Huang	D16/135
D568,352 S *	5/2008	Krause	D16/135	D786,328 S *	5/2017	Schuss	D16/135
D568,354 S *	5/2008	Krause	D16/135	D787,083 S *	5/2017	Ely	D24/209
D568,473 S *	5/2008	Ashiwa	D24/133	D787,684 S *	5/2017	Vežina	D24/187
D569,987 S *	5/2008	Oberreiter	D24/210	D791,960 S *	7/2017	Guanying	D24/209
D570,395 S *	6/2008	Kanno	D16/239	D794,784 S *	8/2017	Bradley	D24/133
D574,867 S *	8/2008	Lewis	D16/135	D794,854 S *	8/2017	Zepter	D26/38
D578,909 S *	10/2008	Chung	D10/70	D795,423 S *	8/2017	Chen	D24/133
D579,962 S *	11/2008	Tillack	D16/135	D797,302 S *	9/2017	Vahlensieck	D24/209
D586,833 S *	2/2009	Huang	D16/135	D798,443 S *	9/2017	Matthison-Hansen	D24/128
D589,154 S *	3/2009	Oberreiter	D24/210	D800,005 S *	10/2017	Wong	D10/118.2
D596,164 S *	7/2009	Henning	D14/223	D802,128 S *	11/2017	Im	D24/137
D596,295 S *	7/2009	Hedstrom	D24/174	D802,305 S *	11/2017	Grabes	D4/102
D596,748 S *	7/2009	Oberreiter	D24/210	D805,076 S *	12/2017	Hong	D14/388
D601,803 S *	10/2009	Reishus	D4/102	D805,781 S *	12/2017	Szymanski	D4/102
D605,821 S *	12/2009	Shaanan	D32/35	D812,220 S *	3/2018	Bainton	D24/113
D609,361 S *	2/2010	McGarry	D24/209	D816,344 S *	5/2018	Tai	D4/100
D612,510 S *	3/2010	Byle	D24/210	D819,221 S *	5/2018	Lei	D24/200
D612,612 S *	3/2010	Harris	D4/102	D820,263 S *	6/2018	Rebello	D14/426
D621,950 S *	8/2010	Seki	D24/209	D821,759 S *	7/2018	Szymanski	D4/138
D622,698 S *	8/2010	McGarry	D14/209	D822,841 S *	7/2018	Cheng	D24/206
D622,751 S *	8/2010	Oikawa	D16/225	D822,843 S *	7/2018	Lenke	D24/215
D623,740 S *	9/2010	Harris	D24/133	D824,528 S *	7/2018	Yang	D24/209
D627,815 S *	11/2010	Oba	D16/202	D825,073 S *	8/2018	Lenke	D24/215
D628,989 S *	12/2010	Lee	D14/223	D828,925 S *	9/2018	Levi	D24/214
D629,118 S *	12/2010	Yeo	D24/214	D829,333 S *	9/2018	Shin	D24/209
D637,221 S *	5/2011	Levine	D16/135	D829,921 S *	10/2018	Xiong	D24/214
D637,309 S *	5/2011	Park	D24/215	D835,845 S *	12/2018	Graves	D28/51
D643,056 S *	8/2011	Zaliauskas	D16/203	D836,593 S *	12/2018	Hu	D14/155
D646,396 S *	10/2011	Seki	D24/209	D838,273 S *	1/2019	Memke	D14/426
D646,487 S *	10/2011	Leppla	D4/102	D838,860 S *	1/2019	Lee	D24/214
D649,995 S *	12/2011	Farenski	D16/135	D839,601 S *	2/2019	Fang	D4/102
D652,523 S *	1/2012	Bradley	D24/209	D840,546 S *	2/2019	Xiangmei	D24/209
D653,761 S *	2/2012	Lytle	D24/209	D847,245 S *	4/2019	Siminou	D16/132
D656,172 S *	3/2012	Stubel	D16/135	D847,360 S *	4/2019	Levi	D24/214
D656,620 S *	3/2012	Altshuler	D24/209	D848,677 S *	5/2019	Thalmann	D28/58
D659,840 S *	5/2012	Cheng	D24/186	D849,257 S *	5/2019	Fukuda	D24/200
D659,845 S *	5/2012	Lytle	D24/209	D850,626 S *	6/2019	Gardner	D24/186
D660,448 S *	5/2012	Lum	D24/209	D851,248 S *	6/2019	Winkler	D24/138
D663,340 S *	7/2012	Farenski	D16/135	D855,194 S *	7/2019	Kymm	D24/209
D675,829 S *	2/2013	Jakubow	D4/102	D855,195 S *	7/2019	Kymm	D24/209
D679,502 S *	4/2013	Itano	D4/102	D855,196 S *	7/2019	Kymm	D24/209
D683,139 S *	5/2013	Chikos	D4/102	D855,818 S *	8/2019	Kymm	D24/209
D690,819 S *	10/2013	Svensson	D24/174	D857,911 S *	8/2019	Huang	D24/215
D691,728 S *	10/2013	Svensson	D24/174	D862,717 S *	10/2019	Khubani	D24/200
D695,903 S *	12/2013	Tamsiran	D24/209	D862,721 S *	10/2019	Friend	D24/214
D697,119 S *	1/2014	Park	D16/203	D863,572 S *	10/2019	Thomas	D24/200
D699,378 S *	2/2014	DiLuciano	D26/37	D863,574 S *	10/2019	Yan	D24/200
D709,191 S *	7/2014	Wood	D24/137	D865,209 S *	10/2019	Nichols	D24/214
D709,889 S *	7/2014	Shen	D14/423	D865,990 S *	11/2019	Ko	D24/215
D713,150 S *	9/2014	Maurin	D4/102	D866,189 S *	11/2019	Baxter	D4/102
D722,584 S *	2/2015	Chen	D14/155	D868,276 S *	11/2019	Lee	D24/209
D728,241 S *	5/2015	Helmbold	D4/102	D868,990 S *	12/2019	Tse	D24/215
D728,242 S *	5/2015	Kim	D4/102	D870,304 S *	12/2019	Du	D24/214
D733,290 S *	6/2015	Burton	A61M 37/0015 D24/119	D870,305 S *	12/2019	Yamazaki	D24/214
				D871,486 S *	12/2019	Cohen	D16/218
				D873,569 S *	1/2020	Nichols	D4/102
				D874,671 S *	2/2020	Segev	D24/214
				D874,672 S *	2/2020	Segev	D24/214
				D875,267 S *	2/2020	Zeng	D24/214

(56)

References Cited

U.S. PATENT DOCUMENTS

D880,710 S * 4/2020 Amoyal D24/209
 D883,675 S * 5/2020 Wong D4/102
 D884,703 S * 5/2020 Silver D14/426
 D887,018 S * 6/2020 Yongjoonchoe D24/200
 D887,544 S * 6/2020 Inoue D24/107
 D891,785 S * 8/2020 Luo D4/102
 D892,322 S * 8/2020 Yang D24/133
 D894,415 S * 8/2020 Blank D24/214
 D894,611 S * 9/2020 Wong D4/102
 D895,466 S * 9/2020 Yu D10/118.2
 D896,674 S * 9/2020 Yu D10/118.2
 D896,971 S * 9/2020 Held D24/186
 D897,109 S * 9/2020 Blank D4/102
 D897,110 S * 9/2020 Blank D4/102
 D897,542 S * 9/2020 Klock D24/186
 D897,879 S * 10/2020 Yang D10/118.2
 D898,802 S * 10/2020 Liu D16/218
 D901,030 S * 11/2020 Yoon D24/209
 D901,031 S * 11/2020 Yoon D24/209
 D901,704 S * 11/2020 Huang D24/214
 D901,705 S * 11/2020 Du D24/214
 D902,381 S * 11/2020 Inoue D24/107

D902,382 S * 11/2020 Inoue D24/107
 D902,927 S * 11/2020 Hu D14/388
 D903,737 S * 12/2020 Han D16/203
 D905,259 S * 12/2020 Wang D24/206
 D906,398 S * 12/2020 Wang D16/203
 D906,530 S * 12/2020 Liu D24/214
 D907,789 S * 1/2021 Shenfarber D24/209
 D908,232 S * 1/2021 Shenfarber D24/209
 10,881,577 B2 * 1/2021 Hashimoto B01F 13/002
 D910,162 S * 2/2021 Inoue D24/107
 D910,720 S * 2/2021 Breuvert D15/7
 D910,735 S * 2/2021 Wexler D16/218
 D912,635 S * 3/2021 Birchler D13/168
 D913,353 S * 3/2021 Saafan D16/135
 D913,483 S * 3/2021 Boschetti Sacco D24/110
 D914,898 S * 3/2021 Britt D24/200
 D916,301 S * 4/2021 Yuval D24/200
 D916,302 S * 4/2021 Yuval D24/200
 D916,306 S * 4/2021 Du D24/214
 D918,067 S * 5/2021 Li B01F 13/002
 D919,299 S * 5/2021 Jin D4/100
 D920,680 S * 6/2021 Wang D4/102
 D921,896 S * 6/2021 Fendrych D24/146
 D922,774 S * 6/2021 Tai D4/100

* cited by examiner

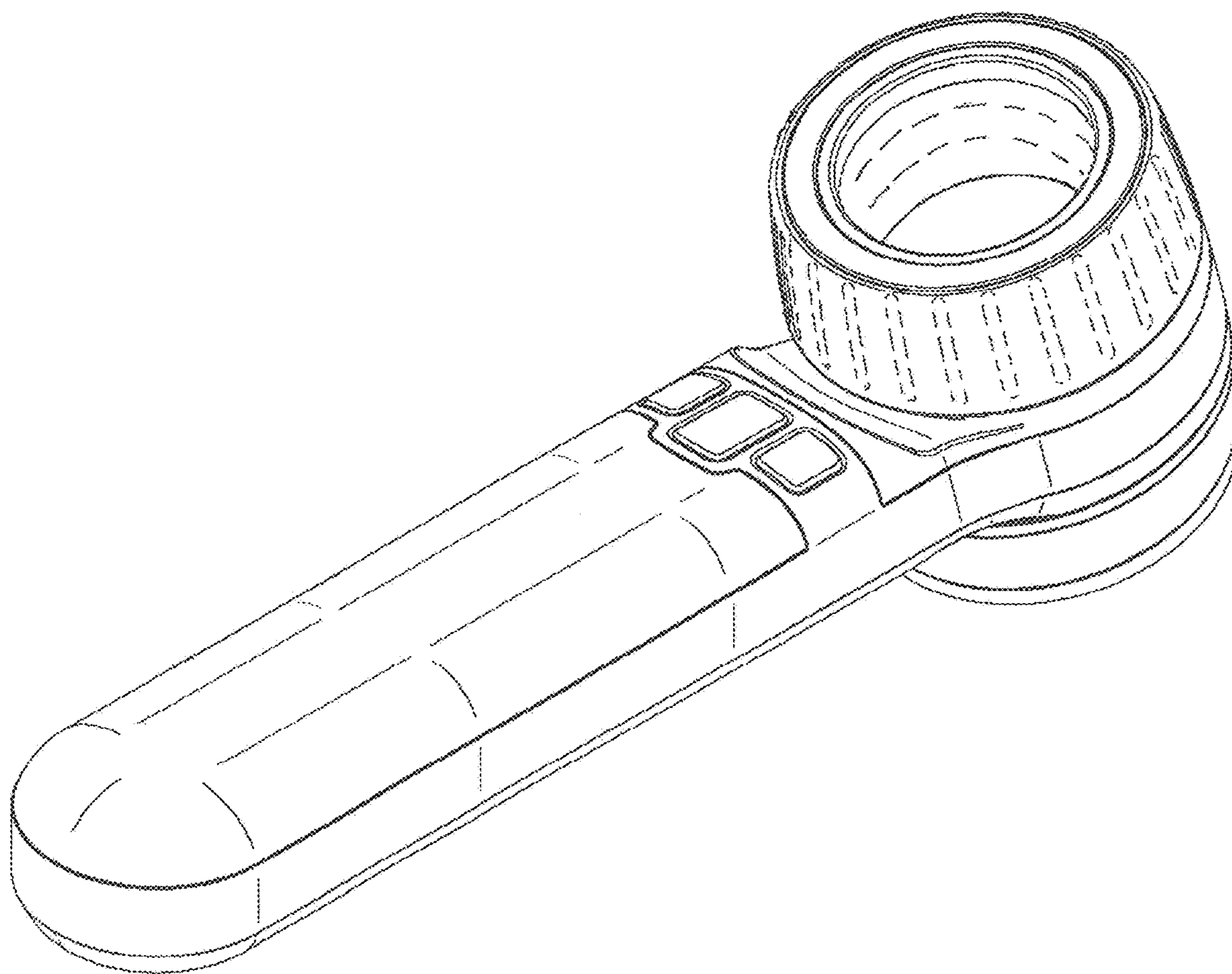


FIG. 1

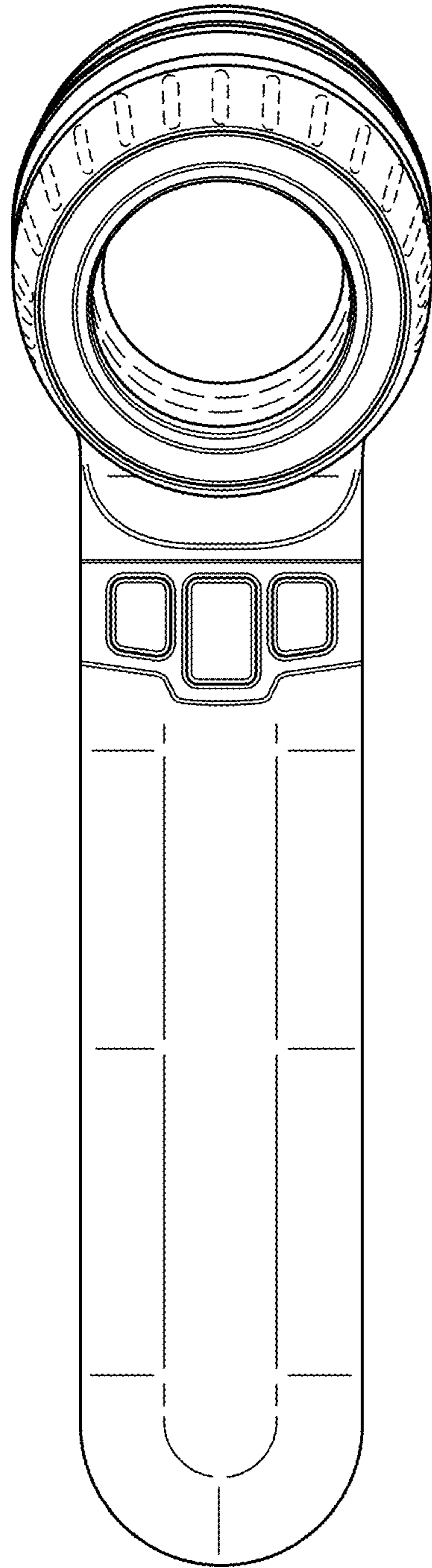


FIG. 2

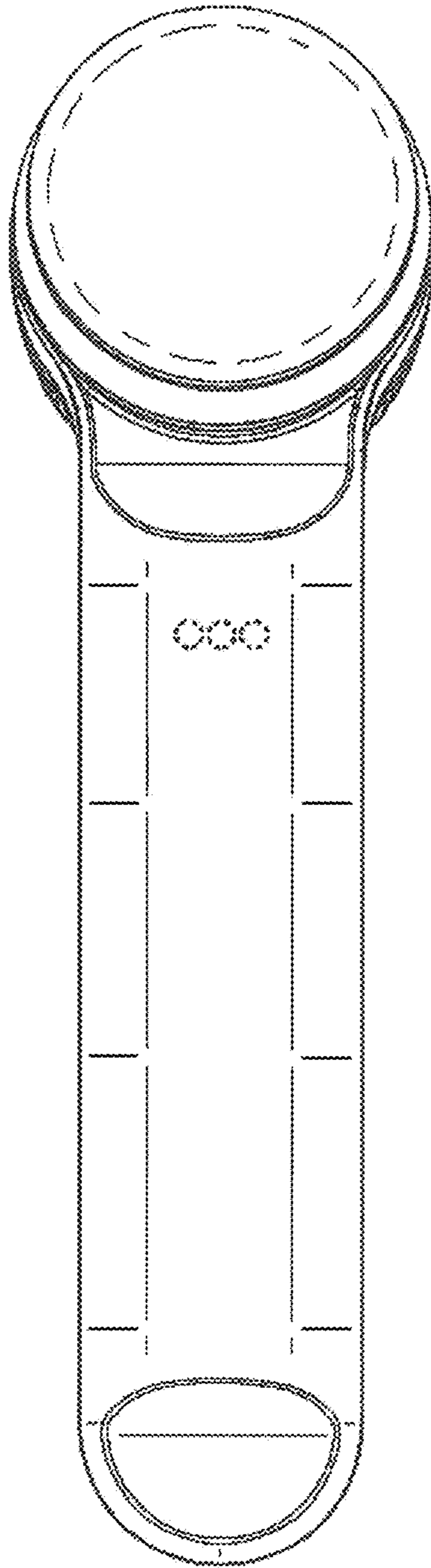


FIG. 3

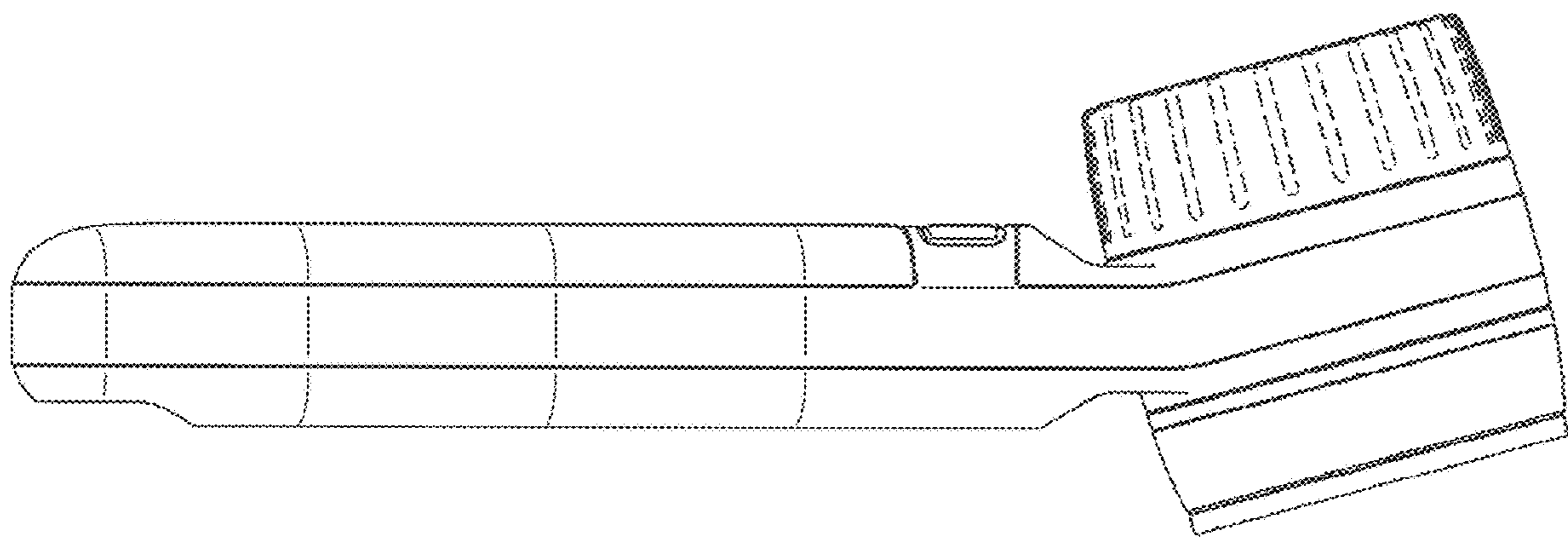


FIG. 4

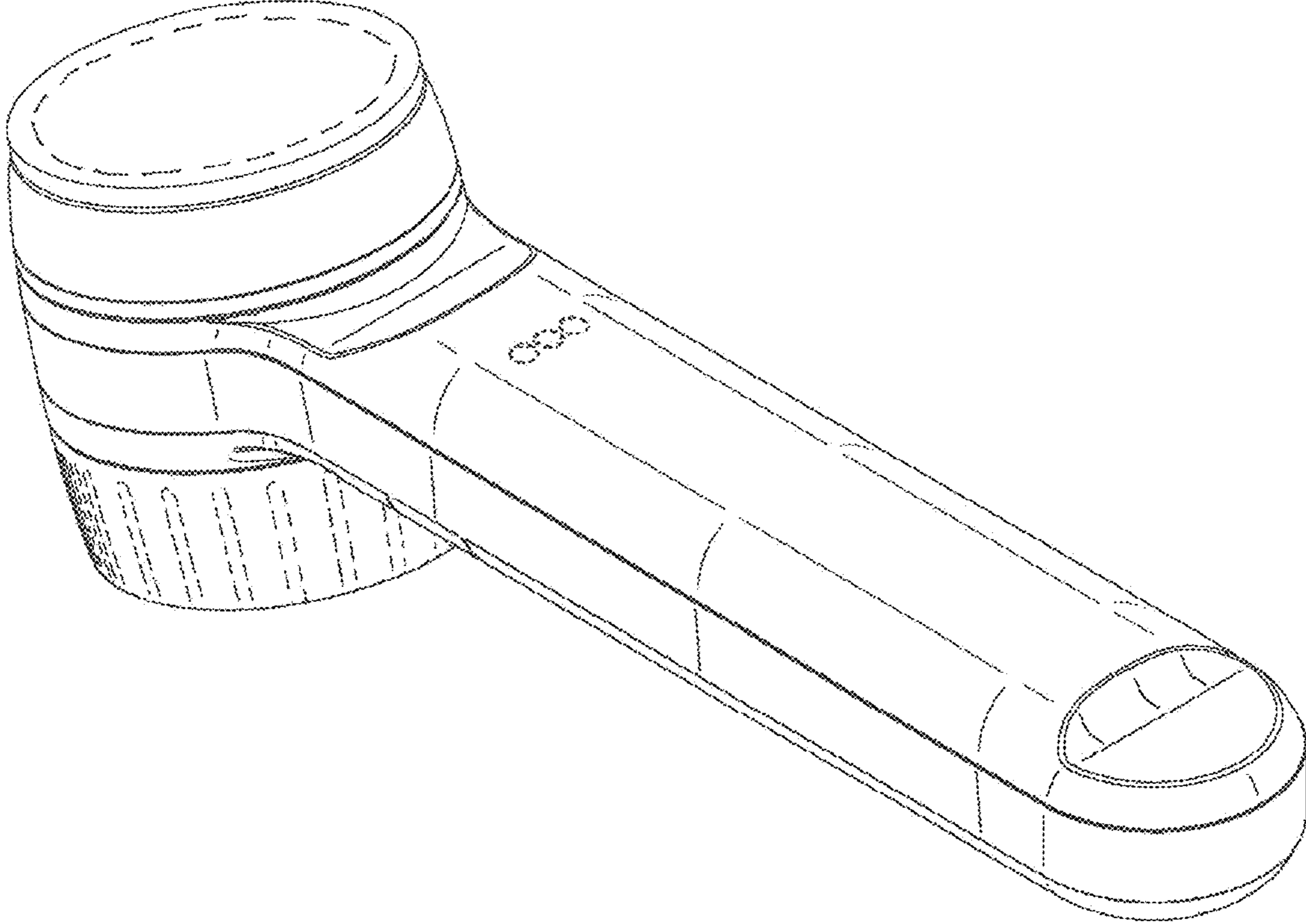


FIG. 5

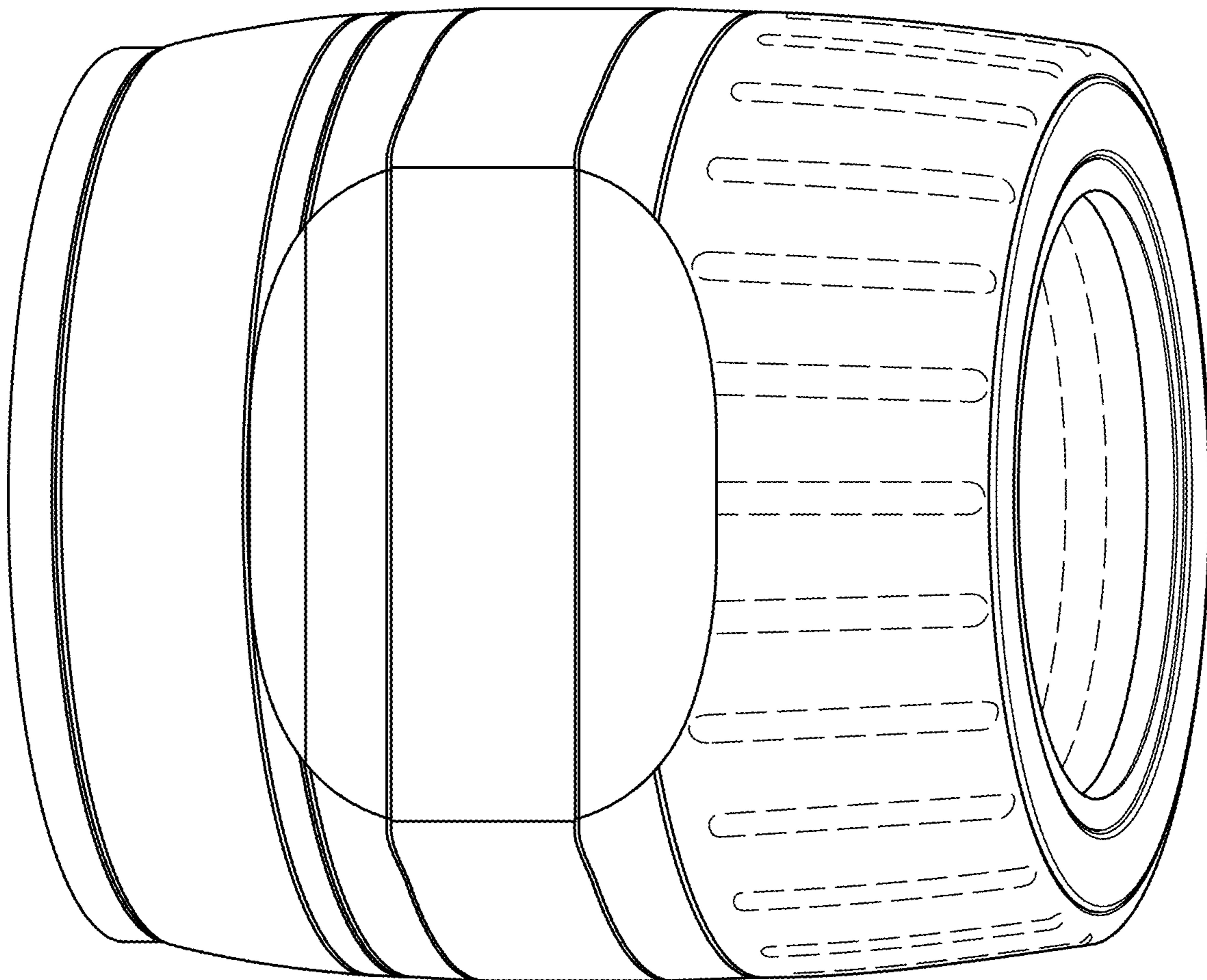


FIG. 6

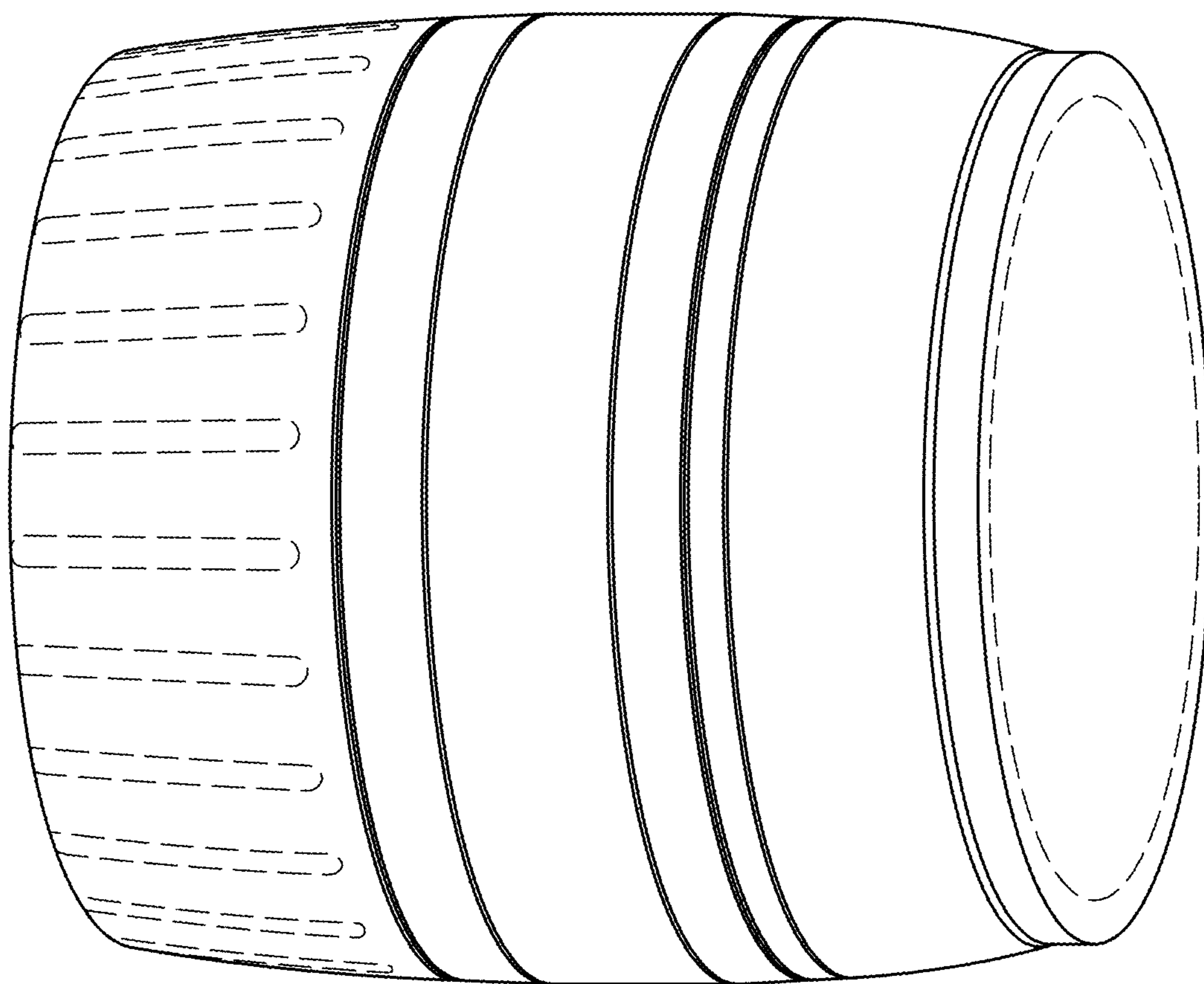


FIG. 7