



US00D940311S

(12) **United States Design Patent**
Sweitzer

(10) **Patent No.:** **US D940,311 S**
(45) **Date of Patent:** **** Jan. 4, 2022**

(54) **CONNECTOR FOR A SURGICAL INSTRUMENT**

(71) Applicant: **Shukla Medical**, St. Petersburg, FL (US)
(72) Inventor: **Zachary Robert Sweitzer**, Keyport, NJ (US)
(73) Assignee: **Shukla Medical**, St. Petersburg, FL (US)

(**) Term: **15 Years**

(21) Appl. No.: **29/708,286**

(22) Filed: **Oct. 4, 2019**

(51) **LOC (13) Cl.** **24-02**

(52) **U.S. Cl.**
USPC **D24/133**

(58) **Field of Classification Search**
USPC D24/133, 128, 135, 155, 159, 183, 184, D24/190; D15/140, 138; D8/71, 74, (Continued)

(56) **References Cited**

U.S. PATENT DOCUMENTS

D228,622 S * 10/1973 Juhlin D8/373
D228,738 S * 10/1973 Rubin F16L 3/22
D8/394

(Continued)

OTHER PUBLICATIONS

Orthopedic Cannulated Nitinol Flexible Reamer [site visited Apr. 14, 2021]. Available from Internet. URL: https://www.alibaba.com/product-detail/Orthopedic-cannulated-Nitinol-flexible-reamer-with_60530202147.html (Year: 2021).*

Primary Examiner — T Chase Nelson
Assistant Examiner — Kelly L Gross

(74) *Attorney, Agent, or Firm* — Kim IP Law Group LLC

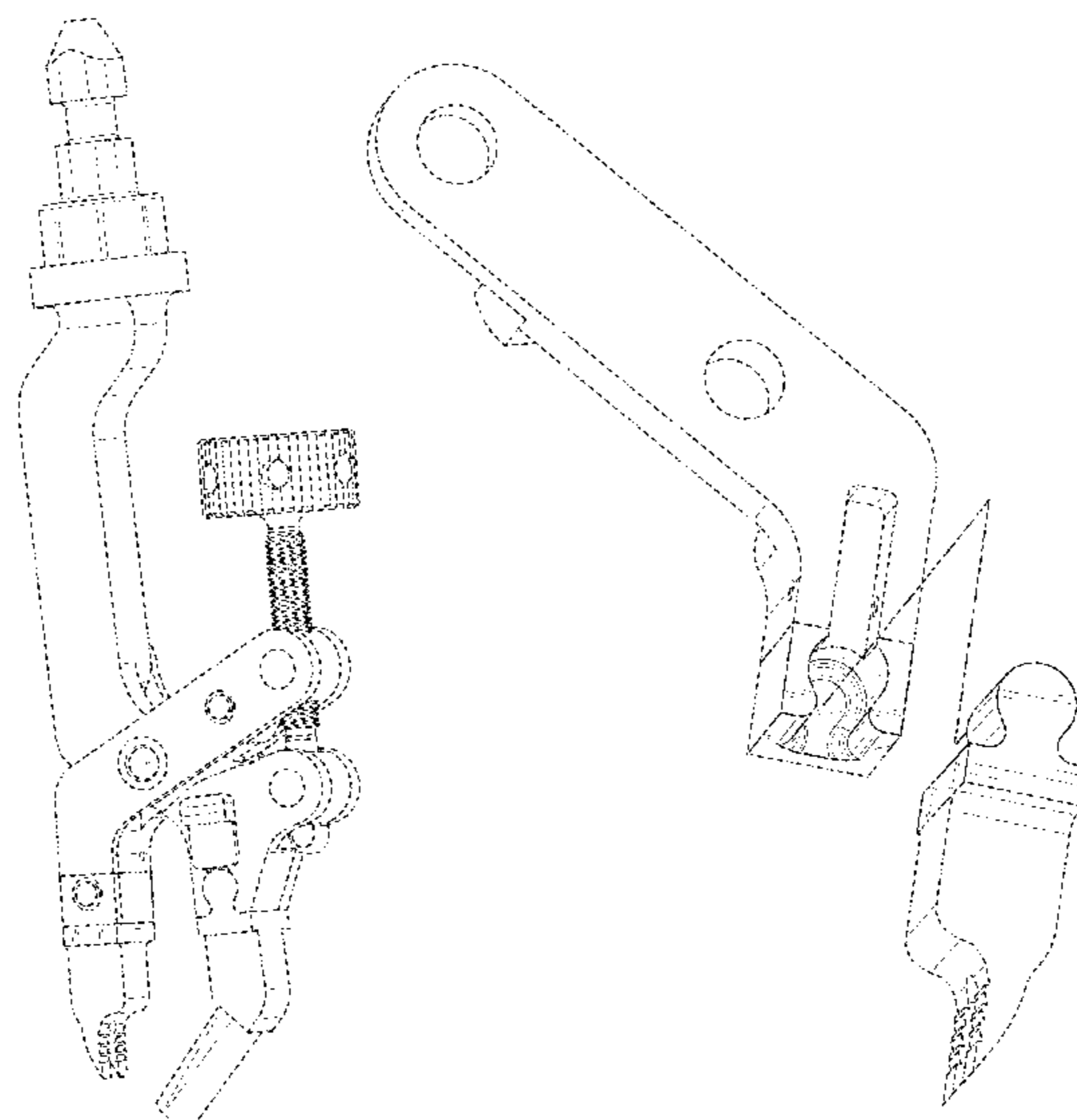
(57) **CLAIM**

The ornamental design for a connector for a surgical instrument, as shown and described.

DESCRIPTION

FIG. 1 is a perspective view of a connector for a surgical instrument in accordance with the new design; FIG. 2 is a rear perspective view of the connector of FIG. 1; FIG. 3 is an exploded perspective view of a portion of the connector for a surgical instrument of FIG. 1; FIG. 4 is an enlarged perspective view of a male portion of the connector for a surgical instrument of FIG. 1; FIG. 5 is a front view of the male portion of the connector for a surgical instrument of FIG. 4; FIG. 6 is a rear view of the male portion of the connector for a surgical instrument of FIG. 4; FIG. 7 is a left side view of the male portion of the connector for a surgical instrument of FIG. 4; FIG. 8 is a right side view of the male portion of the connector for a surgical instrument of FIG. 4; FIG. 9 is a top plan view of the male portion of the connector for a surgical instrument of FIG. 4; FIG. 10 is an enlarged perspective view of a female portion of the connector for a surgical instrument of FIG. 1; FIG. 11 is a front view of the female portion of the connector for a surgical instrument of FIG. 10; FIG. 12 is a rear view of the female portion of the connector for a surgical instrument of FIG. 10; and, FIG. 13 is a bottom plan view of the female portion of the connector for a surgical instrument of FIG. 10. The even length broken lines in the figures are directed to portions of the connector for a surgical instrument that form no part of the claimed design. The dot-dashed lines show unclaimed boundaries and form no part of the claimed design. The dot-dashed lines in FIG. 3 between the two connector pieces show the order of assembly.

1 Claim, 13 Drawing Sheets



(58) **Field of Classification Search**

USPC D8/321, 380, 382, 349, 394, 499;
 D3/312, 313
 CPC ... A61B 2017/0287; B25B 9/00; B25B 11/00;
 B25B 23/00; B25B 23/0007; B25B
 23/0057; B25B 23/0085; B25B 33/00;
 A47F 5/0869; Y10S 269/00; Y10T 16/00;
 Y10T 16/211; Y10T 279/00; Y10T
 279/17196; Y10T 279/17752; F16M
 2200/066; F16M 100/00; F16M 13/00;
 F16M 13/005; F16M 13/04; F16M 11/02

See application file for complete search history.

(56) **References Cited**

U.S. PATENT DOCUMENTS

D263,714 S * 4/1982 Treloar D15/140
 D296,417 S * 6/1988 Misono 248/74.2
 D306,032 S * 2/1990 Mihic 407/116
 D308,818 S * 6/1990 Powrzasnas D13/183
 D309,255 S * 7/1990 Karow, Jr. D22/110
 D322,555 S * 12/1991 Kokenge D8/380
 D355,582 S * 2/1995 Sleight D8/354
 D358,972 S * 6/1995 Libman D8/107
 D360,686 S * 7/1995 Kumar D24/133
 D366,609 S * 1/1996 McDonald D8/395
 D374,607 S * 10/1996 Shoda D8/382
 D374,608 S * 10/1996 Shoda D8/382
 D374,611 S * 10/1996 Bonoan 401/104
 D386,364 S * 11/1997 Rimback D8/1
 D393,417 S * 4/1998 Glickman D8/382
 D468,612 S * 1/2003 Coulter D8/72
 D486,503 S * 2/2004 East D15/133
 D489,452 S * 5/2004 Schweikert D24/127
 D491,265 S * 6/2004 Schweikert D24/128
 D498,299 S * 11/2004 Schweikert D24/128
 D522,348 S * 6/2006 Hansen D8/354
 D527,750 S * 9/2006 Prince D15/138
 D529,521 S * 10/2006 Prince D15/138
 D529,524 S * 10/2006 Duncan D15/138
 D534,417 S * 1/2007 Caruana D8/382
 D534,934 S * 1/2007 Bernhardt D15/140
 D536,791 S * 2/2007 Eskridge D24/146
 D537,939 S * 3/2007 Phillips D24/135
 D539,133 S * 3/2007 Nagle D8/396
 D539,639 S * 4/2007 Nagle D8/396
 D546,100 S * 7/2007 De Boes D6/407
 D548,571 S * 8/2007 Bigelow D8/349
 D551,763 S * 9/2007 Phillips D24/135
 D562,449 S * 2/2008 Schweikert D24/128
 D563,551 S * 3/2008 Schweikert D24/128
 D567,372 S * 4/2008 Chesnin D24/128
 D567,832 S * 4/2008 Edwards D15/139
 D568,991 S * 5/2008 Schweikert D24/128
 D569,972 S * 5/2008 Schweikert D24/128
 D571,005 S * 6/2008 Chesnin D24/128
 D573,861 S * 7/2008 Hammer D8/72
 D576,464 S * 9/2008 Franks, Jr. D8/72
 D592,303 S * 5/2009 Chesnin D24/128
 D599,184 S * 9/2009 Johnson D8/72
 D599,479 S * 9/2009 Petersen D24/133
 D612,695 S * 3/2010 Schultheiss D8/51
 D625,984 S * 10/2010 McGralh D8/355
 D647,116 S * 10/2011 Omi D15/139
 D647,117 S * 10/2011 Omi D15/139
 D654,101 S * 2/2012 Dale D15/127
 D655,347 S * 3/2012 Gehrung D20/22
 D657,662 S * 4/2012 Boucher-Gagne D8/394
 D657,663 S * 4/2012 Boucher-Gagne D8/394
 D657,664 S * 4/2012 Boucher-Gagne D8/394
 D658,761 S * 5/2012 Brotman D24/155
 D664,929 S * 8/2012 Saber D13/154
 D676,071 S * 2/2013 Cox D15/139
 D680,654 S * 4/2013 Borreli D24/188
 D685,475 S * 7/2013 Brotman D24/155

D686,748 S * 7/2013 Nakaji D24/227
 D687,684 S * 8/2013 Olson D8/8
 D712,473 S * 9/2014 Andochick D19/81
 D712,487 S * 9/2014 Strand D21/484
 D712,488 S * 9/2014 Strand D21/484
 D715,427 S * 10/2014 Jovet-Hug D24/128
 D722,864 S * 2/2015 Greenthal D8/382
 D722,865 S * 2/2015 Greenthal D8/382
 D727,138 S * 4/2015 Cross D8/382
 D742,720 S * 11/2015 Perry D8/349
 D746,456 S * 12/2015 Harrison D24/146
 D747,803 S * 1/2016 Knight D24/140
 D752,740 S * 3/2016 Price D24/129
 D753,475 S * 4/2016 Chappus D8/380
 D757,124 S * 5/2016 Stanley D15/28
 D757,957 S * 5/2016 Moshfegh D24/224
 D758,828 S * 6/2016 Corpuz, Jr. D8/323
 D759,464 S * 6/2016 West D8/349
 D762,436 S * 8/2016 Gill D8/72
 D765,156 S * 8/2016 Matsumoto D15/138
 D765,846 S * 9/2016 Lins D24/155
 D768,471 S * 10/2016 Marquez D8/382
 D773,041 S * 11/2016 Lentsch D24/128
 D791,321 S * 7/2017 Wittner D24/146
 D819,815 S * 6/2018 Goodman D24/144
 D823,155 S * 7/2018 Allen D11/87
 D823,479 S * 7/2018 Mollohan D24/215
 D823,970 S * 7/2018 Choma D22/107
 D824,026 S * 7/2018 Eaton D24/128
 D824,753 S * 8/2018 Chappus D8/380
 D826,398 S * 8/2018 Eaton D24/128
 D828,554 S * 9/2018 Goodman D24/144
 D830,915 S * 10/2018 Brown, Jr. D12/133
 D830,916 S * 10/2018 Brown, Jr. D12/133
 D831,571 S * 10/2018 Eberts H01H 71/08
 D837,845 S * 1/2019 Jones D15/138
 D839,630 S * 2/2019 Gilor D6/526
 D840,999 S * 2/2019 Hu D14/253
 D841,811 S * 2/2019 Levy D24/155
 D843,822 S * 3/2019 Chappus D8/380
 D847,231 S * 4/2019 Abe D15/139
 D849,946 S * 5/2019 Gustine D24/155
 D850,614 S * 6/2019 Eaton D24/128
 D851,059 S * 6/2019 Ando D14/205
 D852,308 S * 6/2019 Ethridge D22/108
 D854,665 S * 7/2019 Simon D23/262
 D856,706 S * 8/2019 Moffett D6/601
 D857,197 S * 8/2019 Loewe D24/140
 D858,764 S * 9/2019 Zimmerli D24/137
 D860,438 S * 9/2019 Burgess D24/128
 D863,007 S * 10/2019 Lopez D8/26
 D864,391 S * 10/2019 Sweeney D24/146
 D865,016 S * 10/2019 Jorgensen D15/148
 D868,251 S * 11/2019 Binder D24/141
 D868,287 S * 11/2019 Frampton D24/229
 D872,906 S * 1/2020 Oetlinger D25/199
 D874,011 S * 1/2020 John D24/190
 D879,956 S * 3/2020 Klenner D24/129
 D880,690 S * 4/2020 Smith D24/129
 D882,076 S * 4/2020 Gavalis D24/129
 D882,653 S * 4/2020 Abe D15/139
 D883,713 S * 5/2020 Glatt D6/601
 D884,884 S * 5/2020 Eaton D24/128
 D888,234 S * 6/2020 Gavalis D24/129
 D888,944 S * 6/2020 Silbert D24/128
 D888,945 S * 6/2020 Yemane-Tekeste D24/129
 D888,950 S * 6/2020 Kuchta D24/144
 D889,642 S * 7/2020 Silbert D24/128
 D891,613 S * 7/2020 Choate D24/119
 D893,708 S * 8/2020 Trokel D24/112
 D895,111 S * 9/2020 Frey D24/140
 D896,372 S * 9/2020 Julian D24/129
 D896,373 S * 9/2020 Julian D24/130
 D897,527 S * 9/2020 Zahler D24/133
 D898,192 S * 10/2020 Sauer D24/133
 D898,909 S * 10/2020 Sauer D24/133
 D901,013 S * 11/2020 Davies D24/155
 D901,681 S * 11/2020 Konkle D24/133

(56)

References Cited

U.S. PATENT DOCUMENTS

D904,152 S * 12/2020 Kukucka D8/71
D904,842 S * 12/2020 Hsieh D8/29
D906,781 S * 1/2021 Kukucka D8/71
D907,152 S * 1/2021 Windover D21/782
D908,098 S * 1/2021 Kim D13/155
D909,851 S * 2/2021 Chiang D8/349
D910,093 S * 2/2021 Abe D15/139
D911,348 S * 2/2021 Lu D14/439
D912,708 S * 3/2021 Weinberg D15/139
D913,928 S * 3/2021 Nguyen D13/119
D915,165 S * 4/2021 Hsieh D8/29
D915,723 S * 4/2021 Wood D34/35
2005/0173597 A1 * 8/2005 Farrell F16L 3/22
248/68.1

* cited by examiner

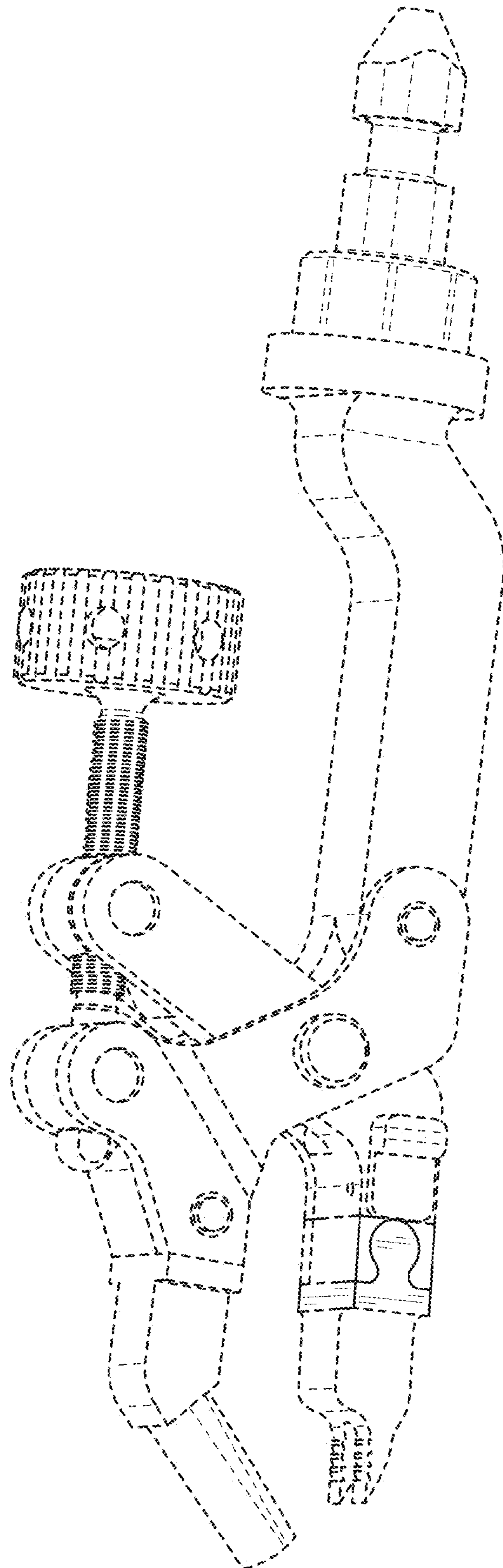


FIG. 1

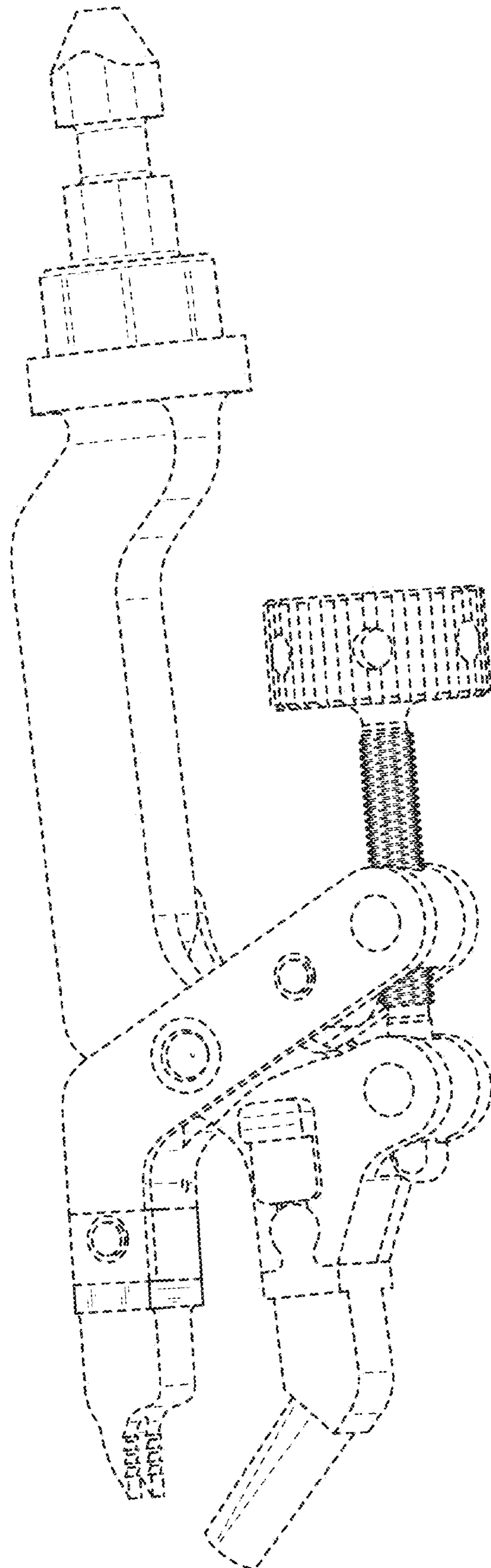


FIG. 2

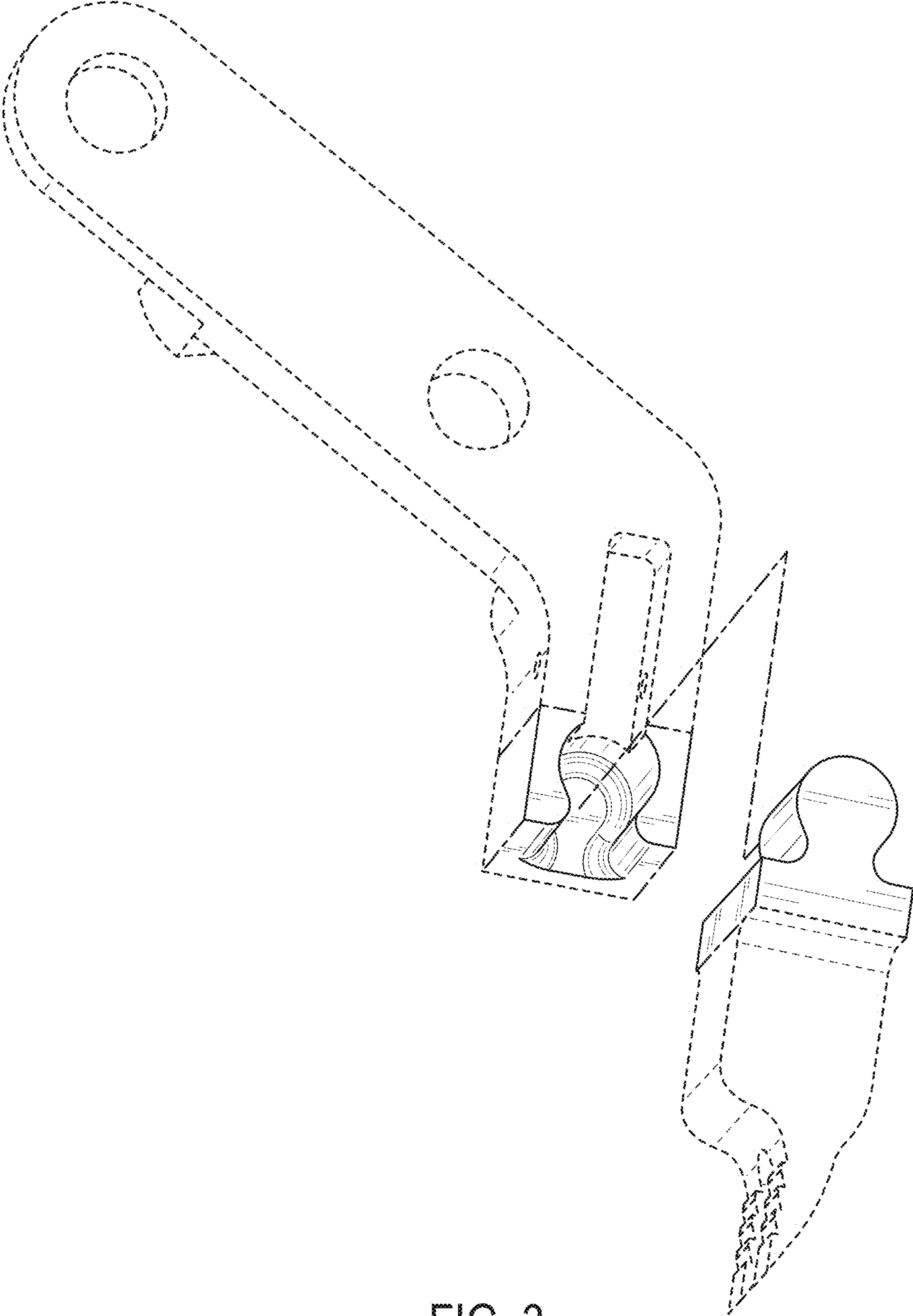


FIG. 3

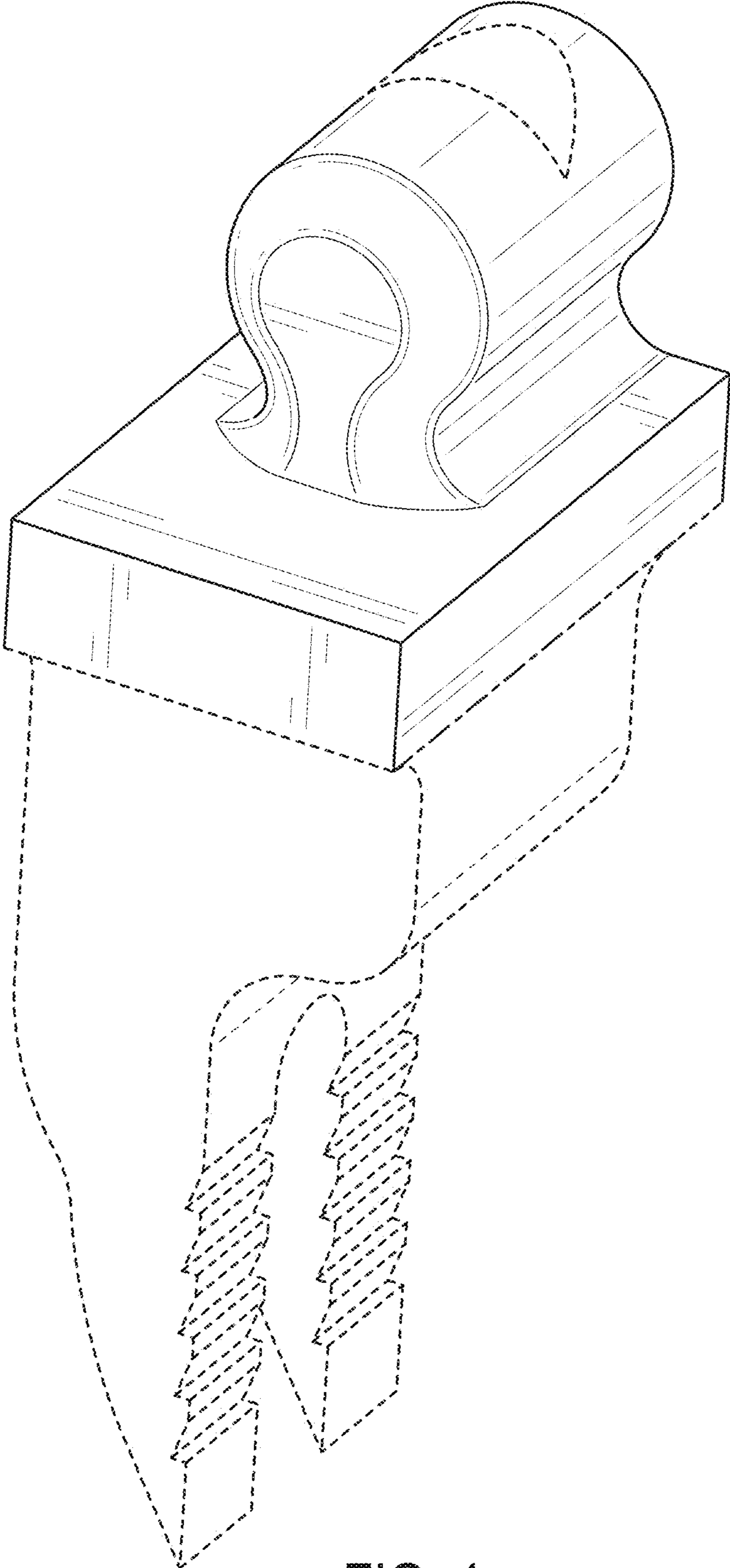


FIG. 4

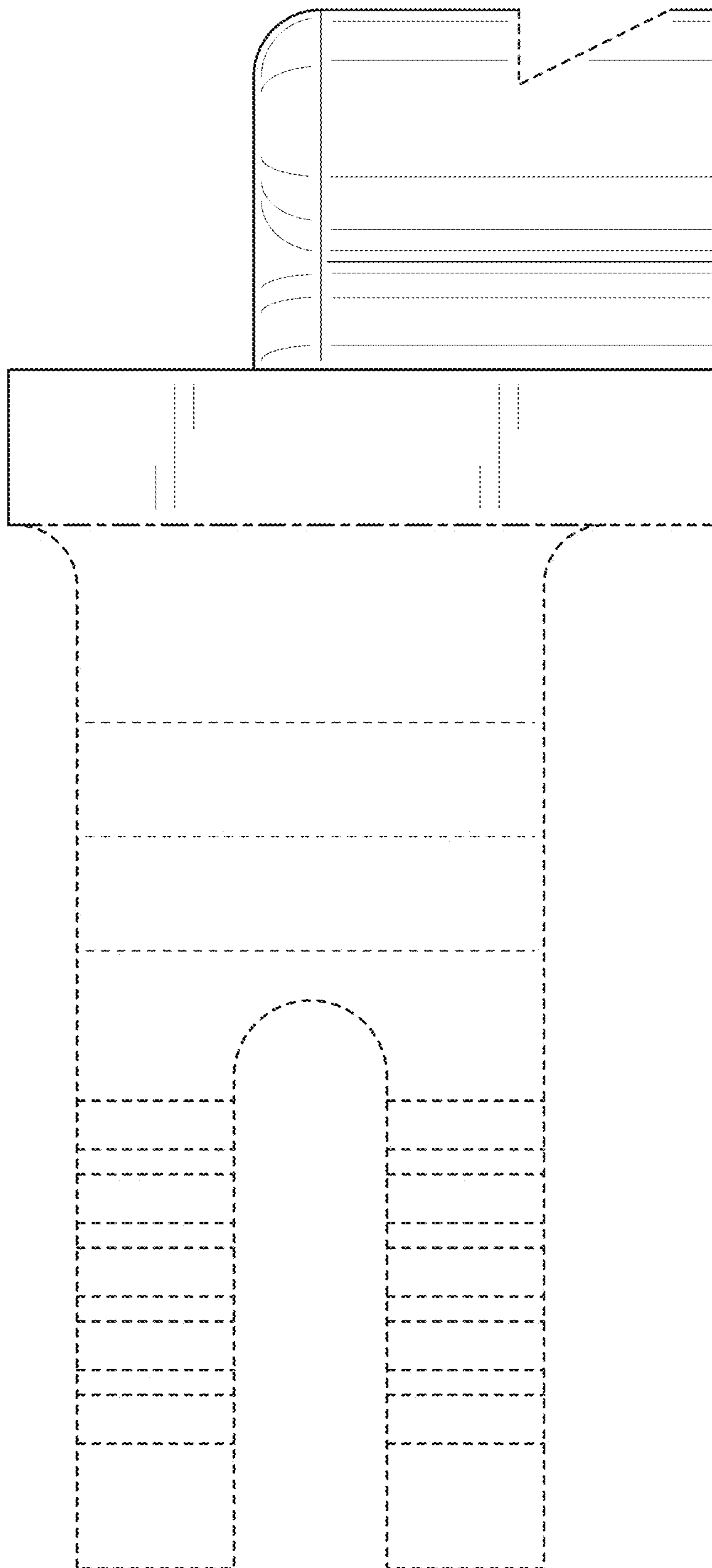


FIG. 5

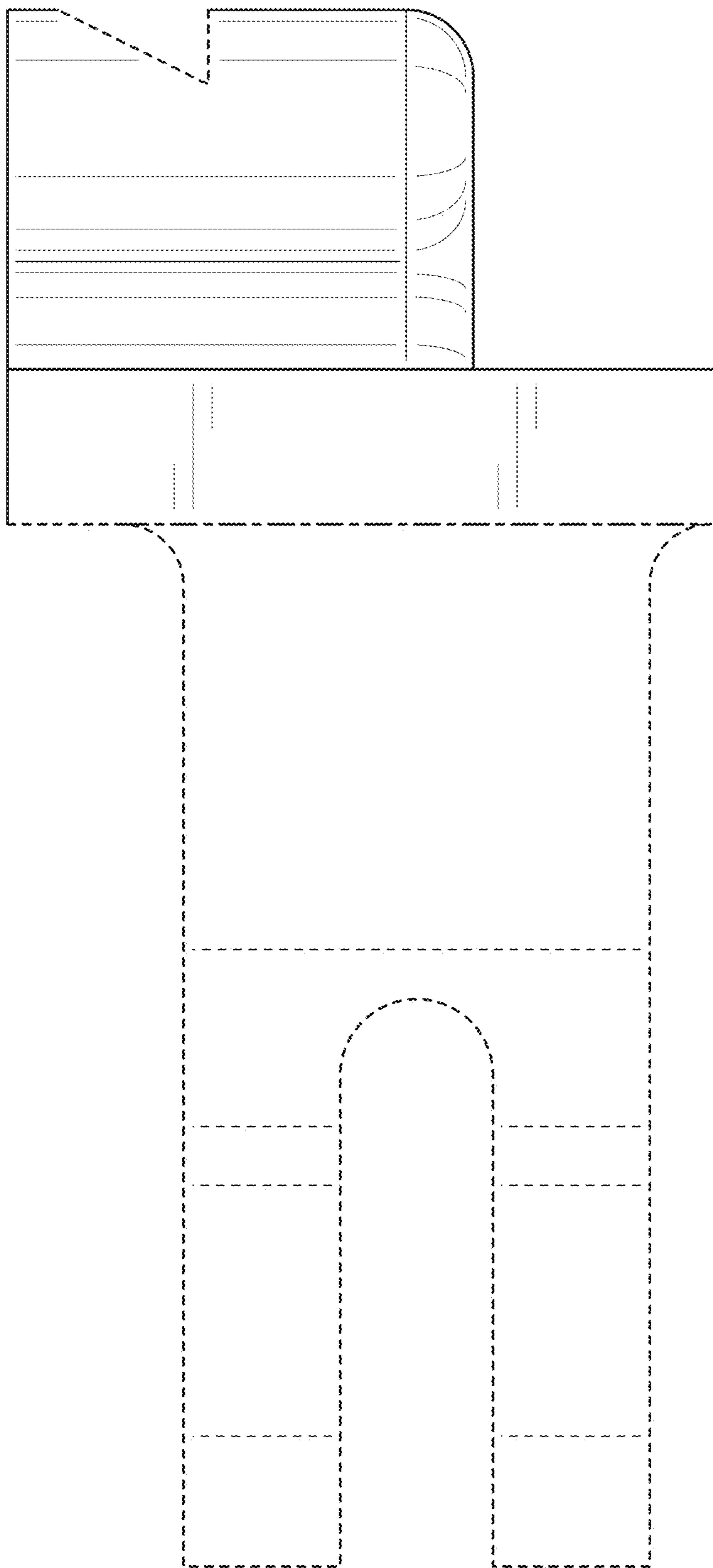


FIG. 6

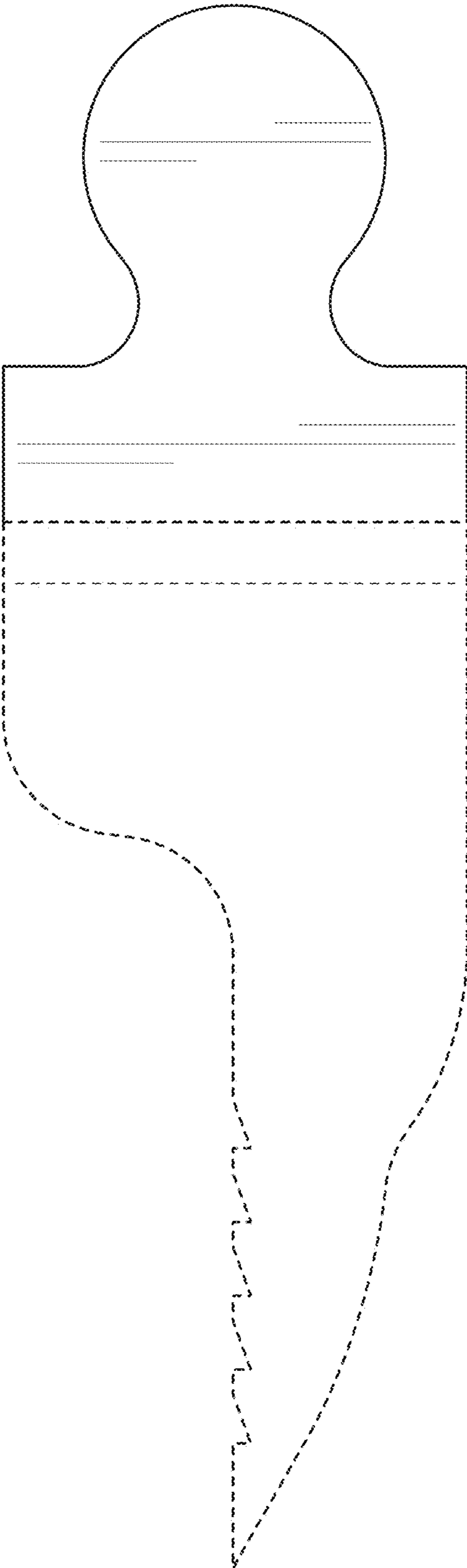


FIG. 7

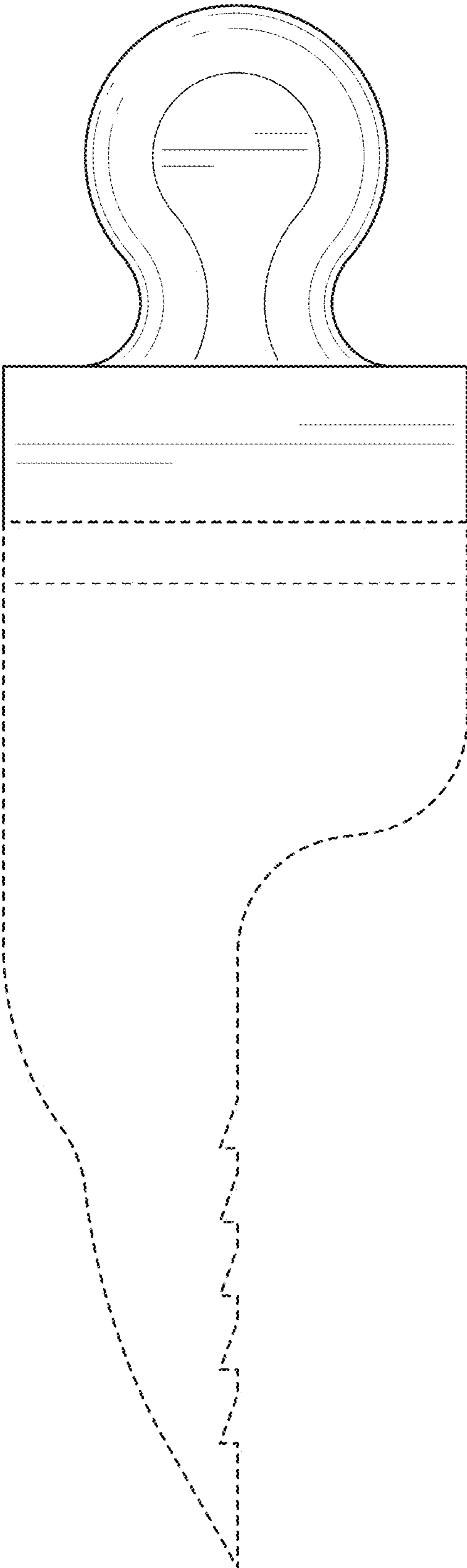


FIG. 8

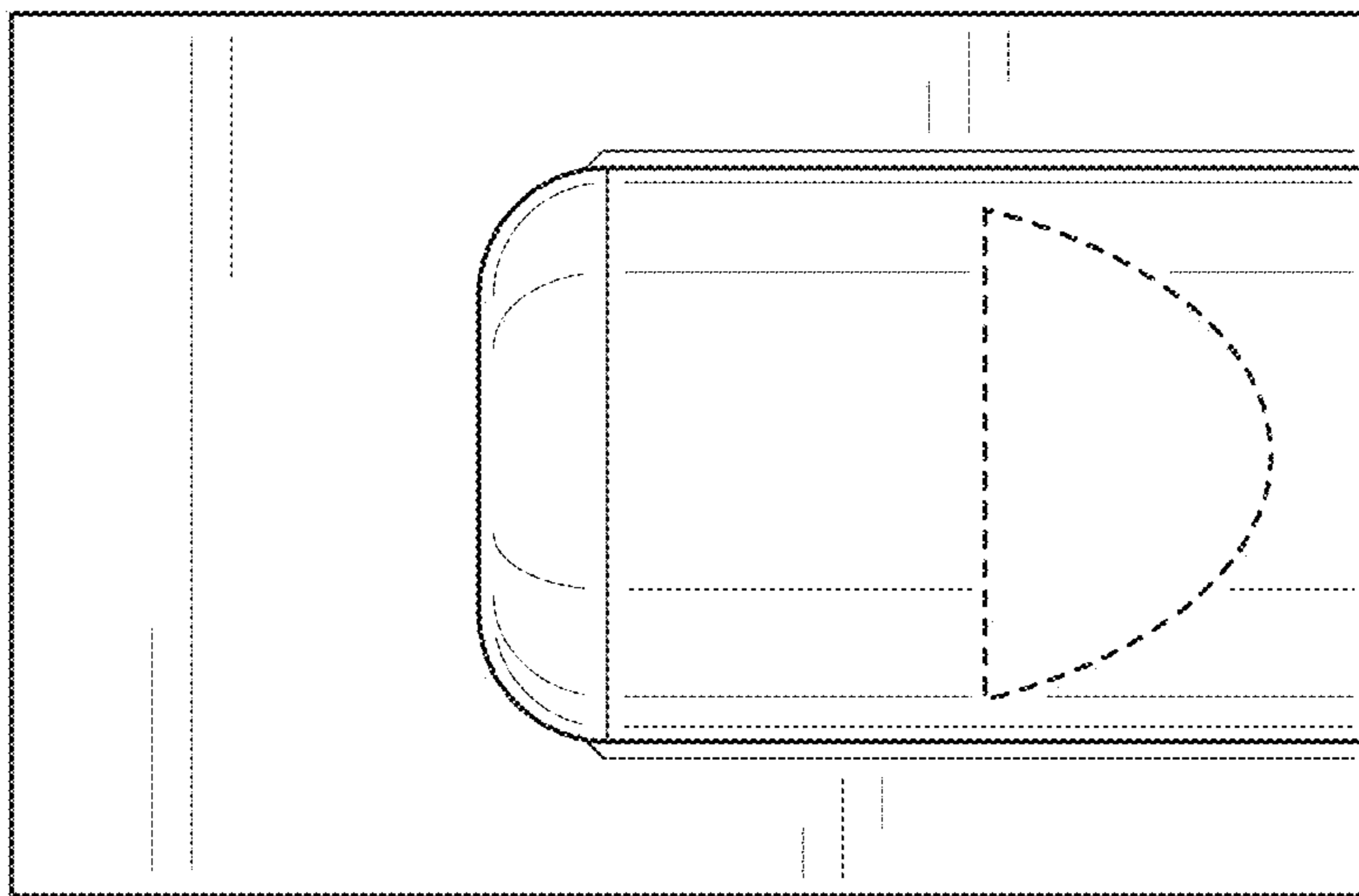


FIG. 9

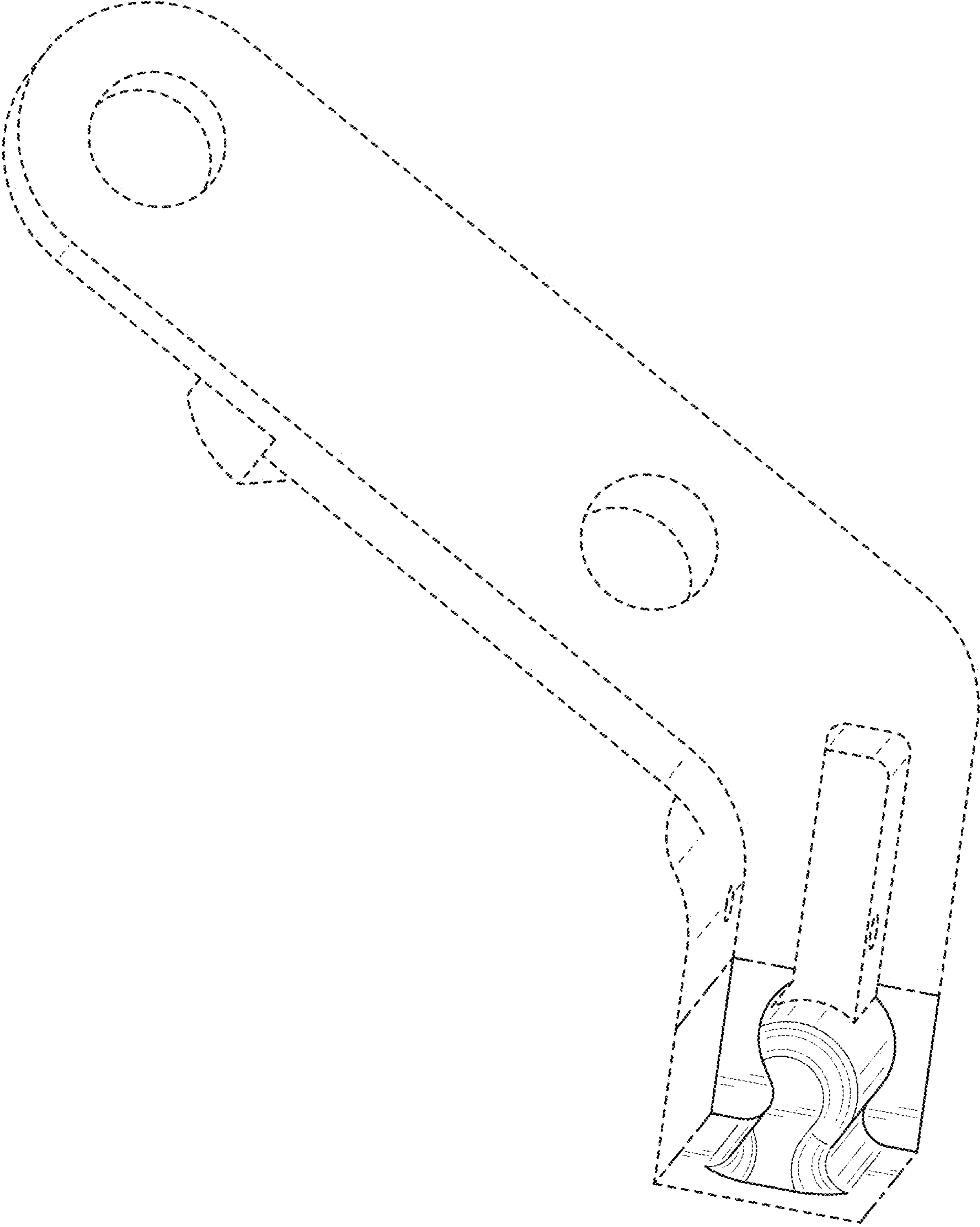


FIG. 10

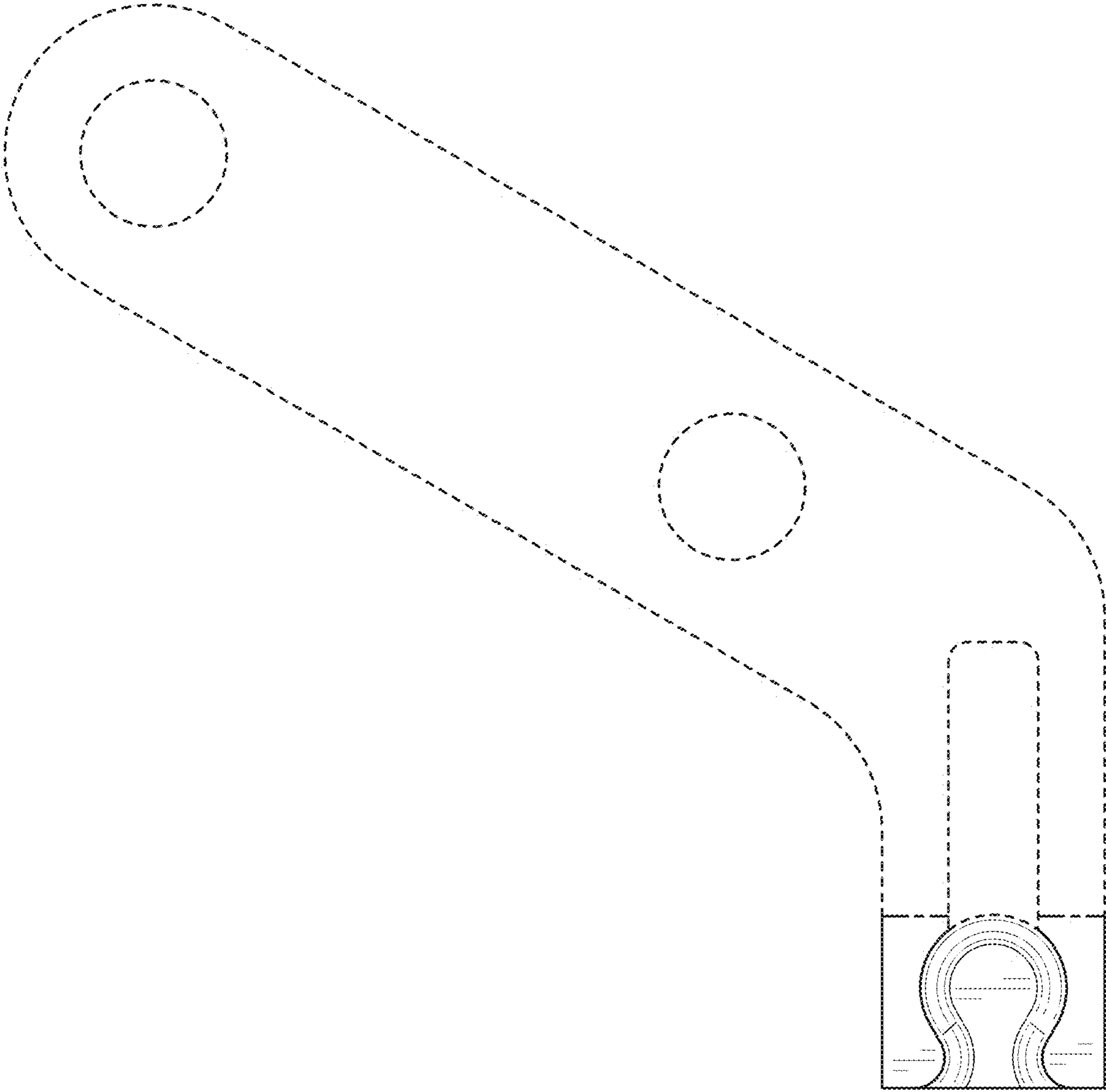


FIG. 11

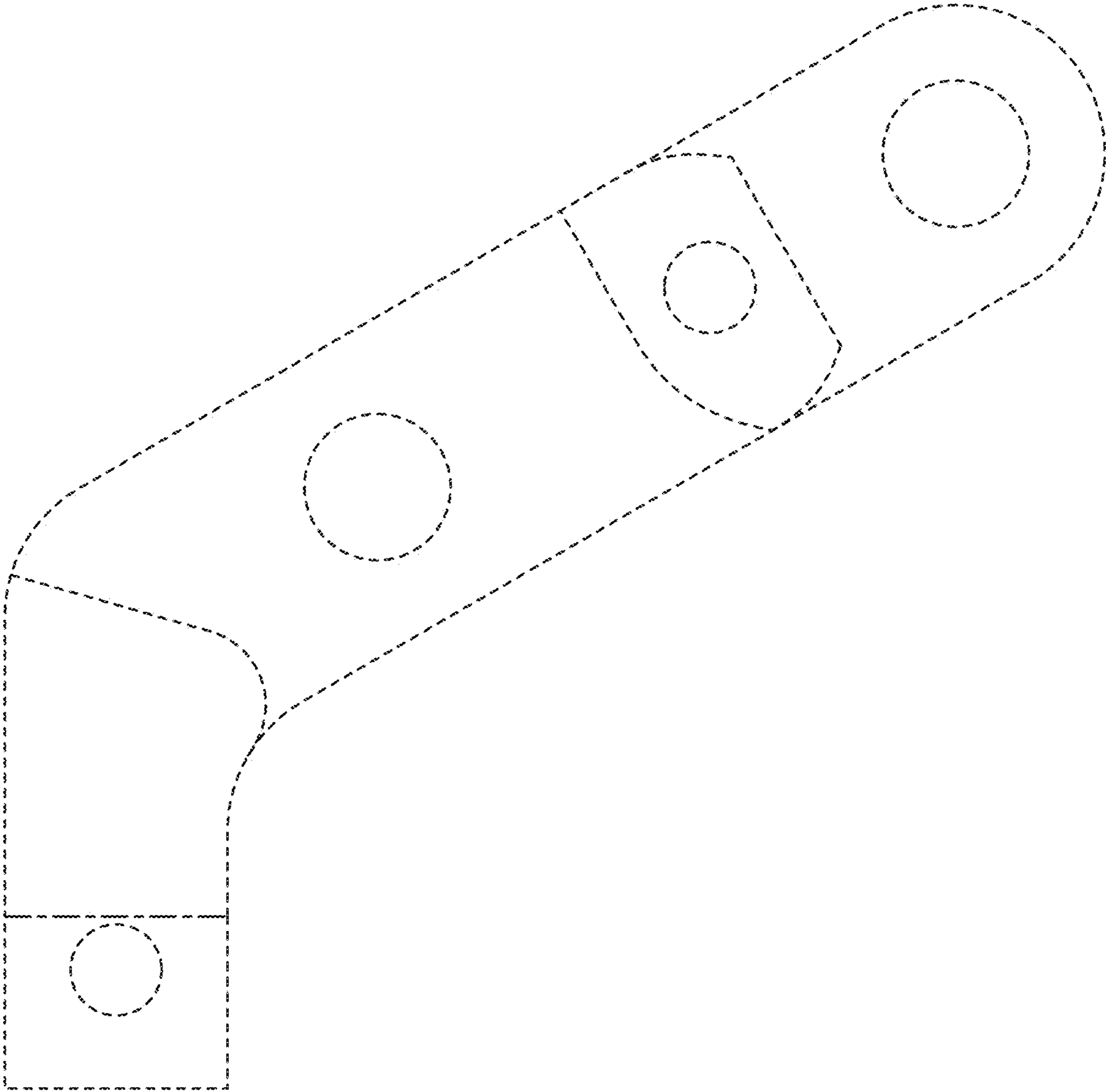


FIG. 12

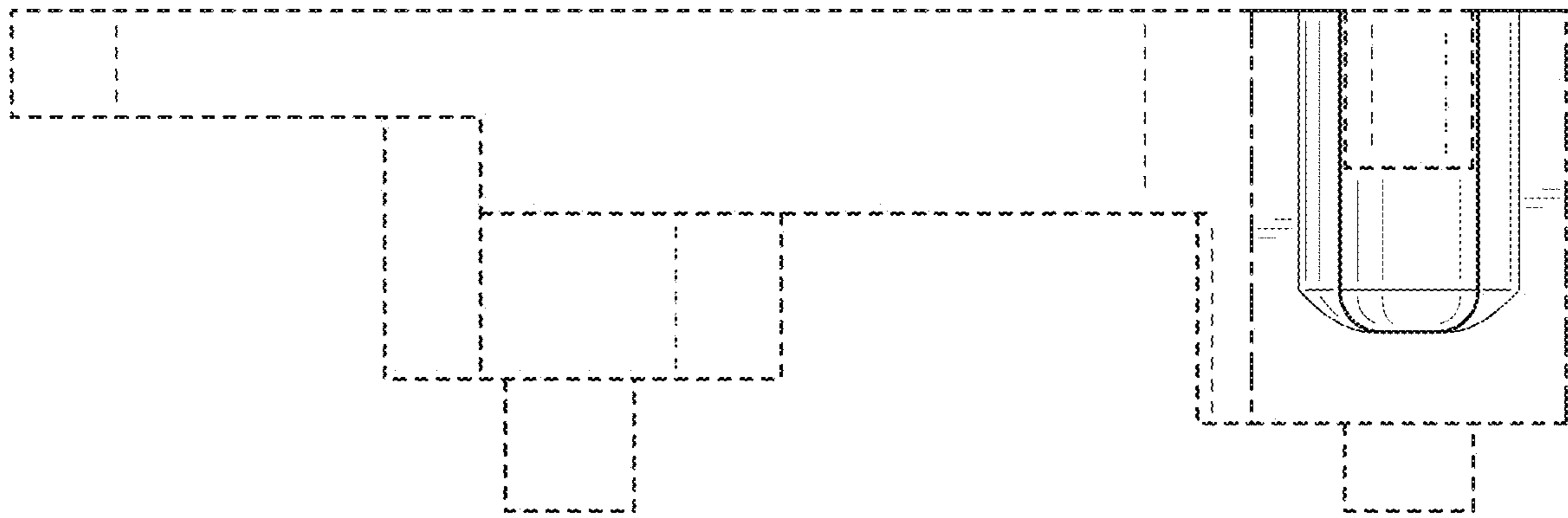


FIG. 13