



US00D940309S

(12) **United States Design Patent**  
**Doubet et al.**

(10) **Patent No.:** **US D940,309 S**  
(45) **Date of Patent:** **\*\* Jan. 4, 2022**

(54) **SYRINGE ADAPTER FOR MEDICATION**

FOREIGN PATENT DOCUMENTS

(71) Applicants: **James T. Doubet**, Parker, CO (US);  
**Paul D. Doubet**, Farmington, IL (US)

EP 1923086 B1 4/2012  
WO 2012/023955 A1 2/2012  
WO 2017/091643 A1 6/2017

(72) Inventors: **James T. Doubet**, Parker, CO (US);  
**Paul D. Doubet**, Farmington, IL (US)

OTHER PUBLICATIONS

(\*\*) Term: **15 Years**

“List of Patents and/or Patent Applications to be Treated as Related”.  
Oct. 1, 2020. 2 pages.

(21) Appl. No.: **29/737,965**

(Continued)

(22) Filed: **Jun. 12, 2020**

*Primary Examiner* — Nathan M Johnston  
(74) *Attorney, Agent, or Firm* — Marcia L. Doubet

**Related U.S. Application Data**

(60) Division of application No. 29/710,061, filed on Oct. 20, 2019, now Pat. No. Des. 890,925, which is a continuation-in-part of application No. 16/166,111, filed on Oct. 21, 2018, now Pat. No. 11,097,058, which is a continuation-in-part of application No. 16/010,155, filed on Jun. 15, 2018, application No.

(Continued)

(51) **LOC (13) Cl.** ..... **24-02**

(52) **U.S. Cl.**  
USPC ..... **D24/129**

(58) **Field of Classification Search**  
USPC ..... D24/127–131, 112–114, 133, 186;  
606/181, 185; 604/264, 523–528, 272,  
604/187, 158, 164.01–164.11, 181, 184,  
604/227; 600/101, 139, 143;  
128/200.24, 207.14, 207.15  
CPC ..... A61J 1/2096; A61J 1/2048; A61J 1/1487;  
A61D 7/00; A61M 5/00  
See application file for complete search history.

(57) **CLAIM**

We claim the ornamental design for a syringe adapter for medication, as shown and described.

**DESCRIPTION**

FIG. 1 is a perspective view of a syringe adapter, showing a first embodiment of our new design having a hexagonal extension and a hexagonal element;  
FIG. 2 is a front view thereof, the back view being identical thereto;  
FIG. 3 is a top view thereof, the bottom view being identical thereto;  
FIG. 4 is a left-side view thereof;  
FIG. 5 is a right-side view thereof;  
FIG. 6 is a perspective view of a syringe adapter, showing a second embodiment of our new design having a hexagonal extension with a different diameter and a hexagonal element;  
FIG. 7 is a front view thereof, the back view being identical thereto;  
FIG. 8 is a top view thereof, the bottom view being identical thereto;  
FIG. 9 is a left-side view thereof; and,  
FIG. 10 is a right-side view thereof thereof.  
Features shown in the drawings using broken lines form no part of the claimed design.

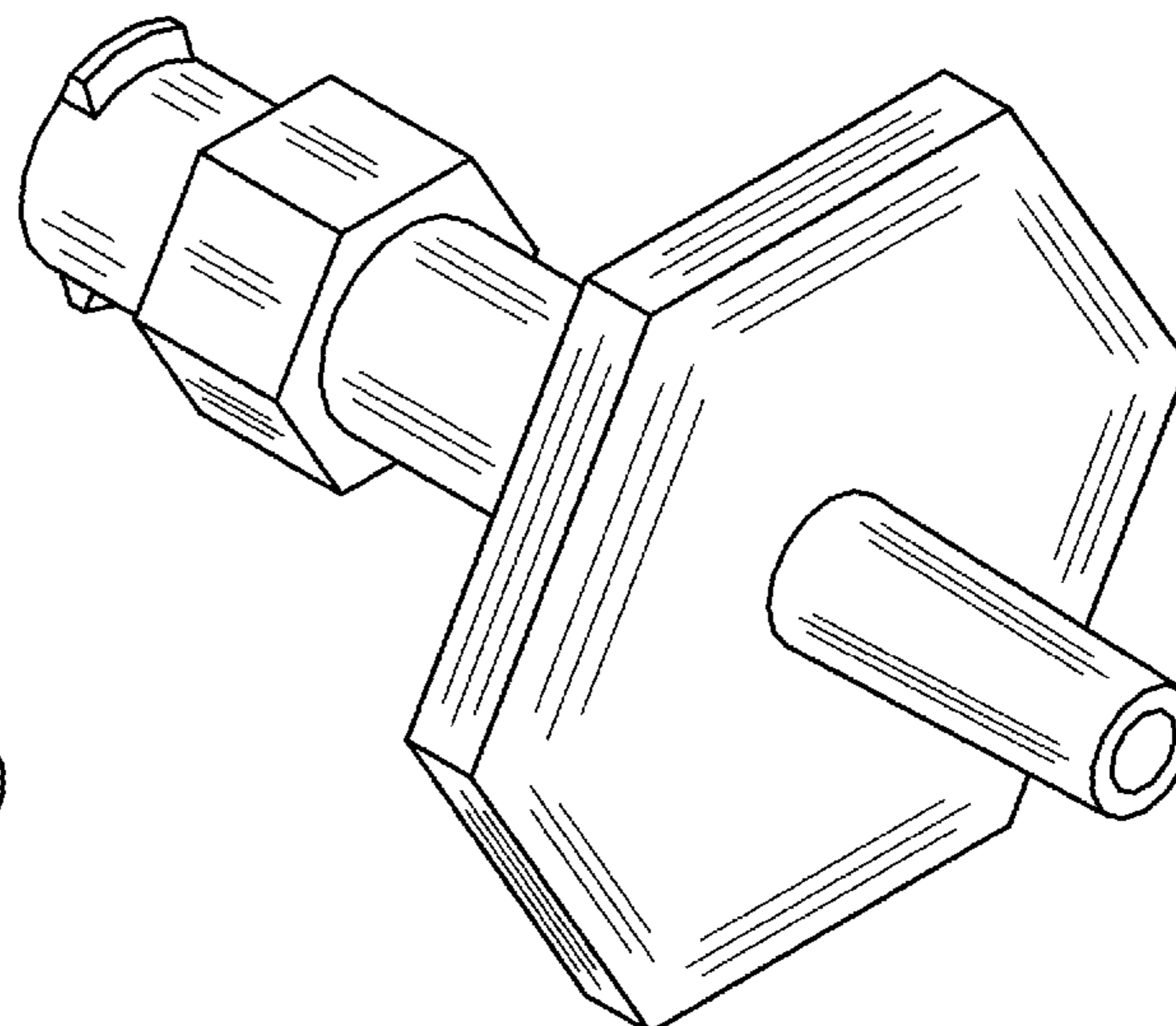
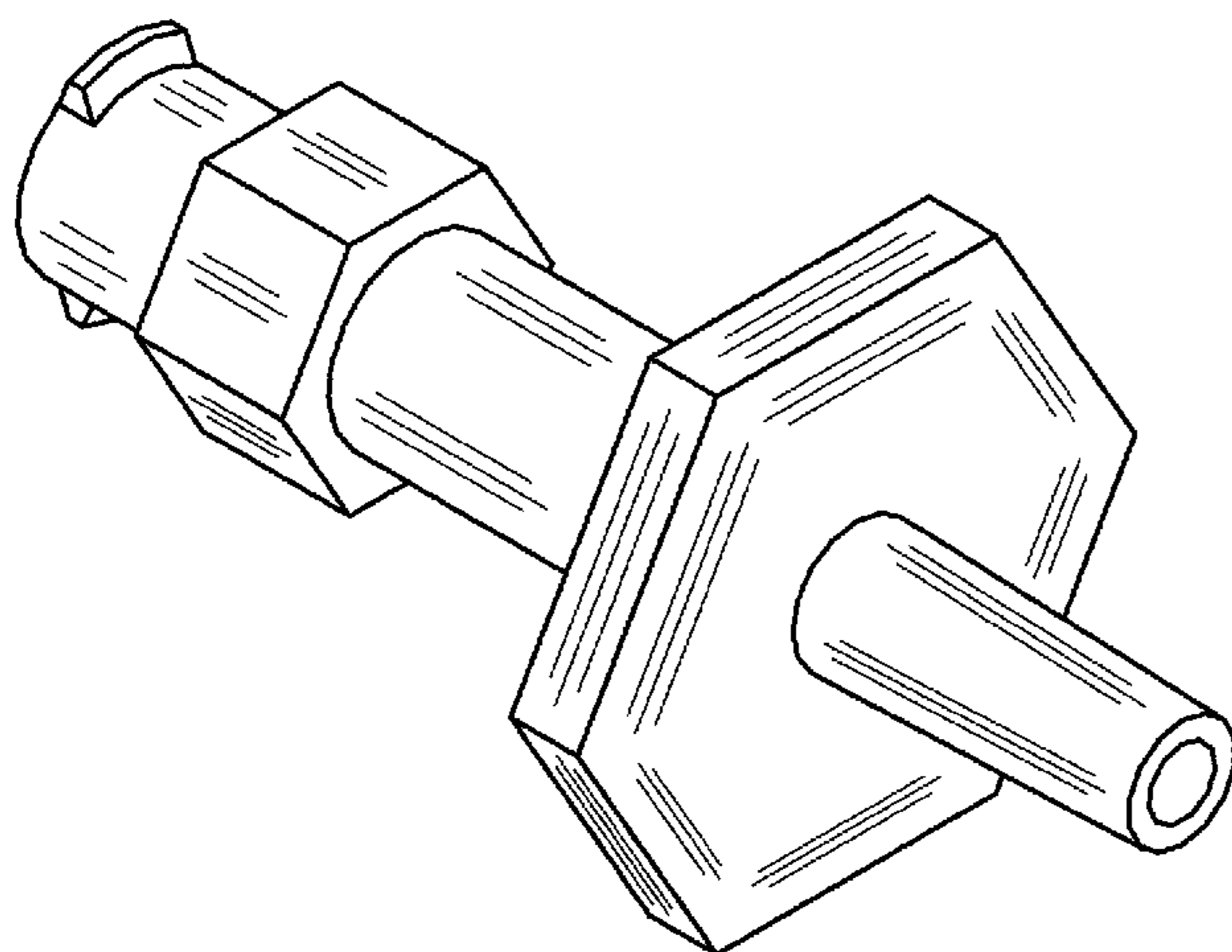
(56) **References Cited**

U.S. PATENT DOCUMENTS

2,752,919 A 7/1956 Gabriel  
3,436,828 A 4/1969 Dragan

(Continued)

**1 Claim, 5 Drawing Sheets**



**Related U.S. Application Data**

29/737,965, filed on Jun. 12, 2020, which is a division of application No. 29/710,061, filed on Oct. 20, 2019, now Pat. No. Des. 890,925, which is a continuation-in-part of application No. 16/563,896, filed on Sep. 8, 2019, which is a continuation-in-part of application No. 16/166,111, filed on Oct. 21, 2018, now Pat. No. 11,097,058, which is a continuation-in-part of application No. 16/010,155, filed on Jun. 15, 2018.

(56)

**References Cited**

U.S. PATENT DOCUMENTS

3,958,570 A 5/1976 Vogelman et al.  
 4,046,145 A 9/1977 Choksi et al.  
 4,294,250 A 10/1981 Dennehey  
 4,316,462 A 2/1982 Baker  
 4,338,925 A 7/1982 Miller  
 4,472,141 A 9/1984 Dragan  
 4,664,655 A 5/1987 Orentreich et al.  
 4,758,158 A 7/1988 Pierce et al.  
 4,758,234 A 7/1988 Orentreich et al.  
 D297,262 S \* 8/1988 Sternweiler ..... D24/112  
 D297,365 S \* 8/1988 Barnett ..... D24/114  
 4,852,584 A \* 8/1989 Selby ..... B01L 3/00  
 600/573  
 D310,722 S \* 9/1990 Broden ..... D24/112  
 D315,583 S 3/1991 Larson et al.  
 D320,082 S \* 9/1991 Wyatt ..... D24/129  
 5,047,021 A 9/1991 Utterberg  
 5,195,985 A 3/1993 Hall  
 D338,531 S \* 8/1993 Howell ..... D24/193  
 5,322,510 A 6/1994 Lindner et al.  
 D358,882 S 5/1995 Metz et al.  
 D368,304 S 3/1996 Morrison  
 D380,037 S 6/1997 Grantham  
 D381,425 S 7/1997 Cesarini et al.  
 D382,639 S \* 8/1997 Musgrave ..... D24/108  
 5,733,258 A 3/1998 Lane  
 5,746,733 A 5/1998 Capaccio et al.  
 D395,502 S 6/1998 Deily et al.  
 D413,967 S 9/1999 Yuen  
 6,117,113 A 9/2000 Novacek et al.  
 D435,652 S \* 12/2000 Nazarifar ..... D23/262  
 6,511,472 B1 1/2003 Hayman et al.  
 D473,305 S 4/2003 Halseth  
 D473,646 S \* 4/2003 Baillargeon ..... D24/129  
 D474,839 S 5/2003 Francavilla et al.  
 D484,593 S \* 12/2003 Baillargeon ..... D24/129  
 D485,616 S 1/2004 Baillargeon et al.  
 6,787,568 B1 9/2004 Mihalik  
 6,790,867 B2 9/2004 Kohan et al.  
 6,981,618 B2 1/2006 Reisinger  
 D517,667 S 3/2006 Sener et al.  
 D529,603 S \* 10/2006 Knickerbocker ..... D24/110  
 7,347,458 B2 3/2008 Rome et al.  
 7,472,932 B2 1/2009 Weber et al.  
 7,682,343 B2 3/2010 Westbye  
 7,699,609 B2 4/2010 Lawter et al.  
 D617,429 S \* 6/2010 Govoni ..... D23/262  
 8,034,845 B2 10/2011 Freehauf et al.

8,044,102 B2 10/2011 Kohan et al.  
 D671,639 S \* 11/2012 Trifilio ..... D24/128  
 D672,052 S \* 12/2012 Bucher ..... D24/224  
 D693,923 S \* 11/2013 Hernandez ..... D24/129  
 D709,187 S \* 7/2014 Li ..... A61M 39/12  
 D24/129  
 D714,935 S 10/2014 Nishioka et al.  
 D716,916 S 11/2014 Snow  
 8,961,490 B2 \* 2/2015 Musani ..... A61B 17/3496  
 604/415  
 D731,065 S \* 6/2015 Winter ..... D24/162  
 D731,647 S 6/2015 Nishioka et al.  
 D736,915 S 8/2015 Schultz  
 D739,523 S \* 9/2015 Booth ..... D24/110  
 9,295,788 B2 3/2016 Green  
 D757,233 S 5/2016 Vaz et al.  
 D760,376 S 6/2016 Korneliussen et al.  
 D773,659 S \* 12/2016 Cain ..... D24/129  
 D777,888 S 1/2017 Vaz et al.  
 D799,032 S 10/2017 Becker  
 D811,586 S \* 2/2018 Bureau ..... D24/112  
 D816,211 S 4/2018 Guala  
 D818,580 S 5/2018 Khabiri et al.  
 D825,737 S \* 8/2018 Yokoyama ..... D24/108  
 D831,202 S \* 10/2018 Ratner ..... D24/129  
 D841,499 S 2/2019 Drewes et al.  
 D851,240 S \* 6/2019 Baid ..... A61M 5/165  
 D24/112  
 D851,759 S 6/2019 Jones et al.  
 D865,954 S 11/2019 Mottola et al.  
 D873,997 S \* 1/2020 Ljunglof ..... D24/130  
 D884,888 S 5/2020 Doubet et al.  
 D890,025 S 7/2020 Doubet et al.  
 10,709,850 B2 7/2020 Doubet et al.  
 2002/0099360 A1 \* 7/2002 Bierman ..... A61M 39/10  
 604/523  
 2002/0133124 A1 9/2002 Leinsing et al.  
 2002/0173753 A1 11/2002 Caizza et al.  
 2003/0236501 A1 12/2003 Donnan et al.  
 2004/0039365 A1 2/2004 Aramata et al.  
 2004/0068266 A1 4/2004 Delmotte  
 2006/0270996 A1 11/2006 Fojtik  
 2007/0060898 A1 3/2007 Shaughnessy et al.  
 2007/0203451 A1 8/2007 Murakami et al.  
 2008/0188816 A1 8/2008 Shimazaki et al.  
 2008/0287884 A1 11/2008 Warden et al.  
 2009/0182284 A1 7/2009 Morgan  
 2009/0227894 A1 9/2009 Fojtik  
 2010/0249650 A1 9/2010 Hikawa et al.  
 2011/0028909 A1 2/2011 Lum et al.  
 2012/0184938 A1 7/2012 Lev et al.  
 2013/0018354 A1 1/2013 Sund et al.  
 2013/0178806 A1 7/2013 Felix-Faure et al.  
 2013/0331810 A1 12/2013 Bazala et al.  
 2014/0066840 A1 3/2014 Mantell  
 2014/0261860 A1 9/2014 Heath et al.  
 2018/0344570 A1 12/2018 Davis et al.

OTHER PUBLICATIONS

“(Revised) List of Patents and/or Patent Applications to be Treated as Related”. Dec. 19, 2020. 2 pages.

\* cited by examiner

FIG. 1

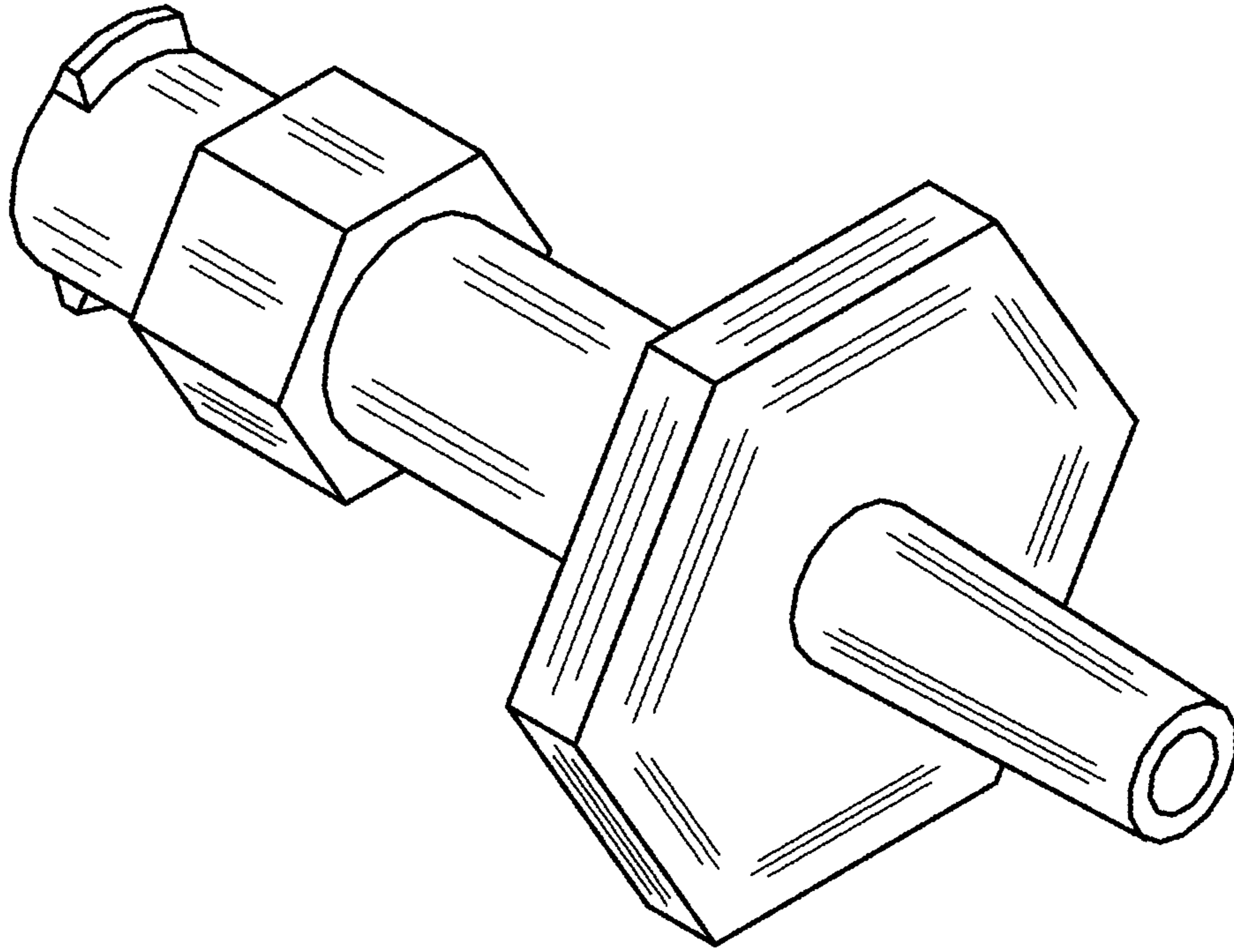


FIG. 2

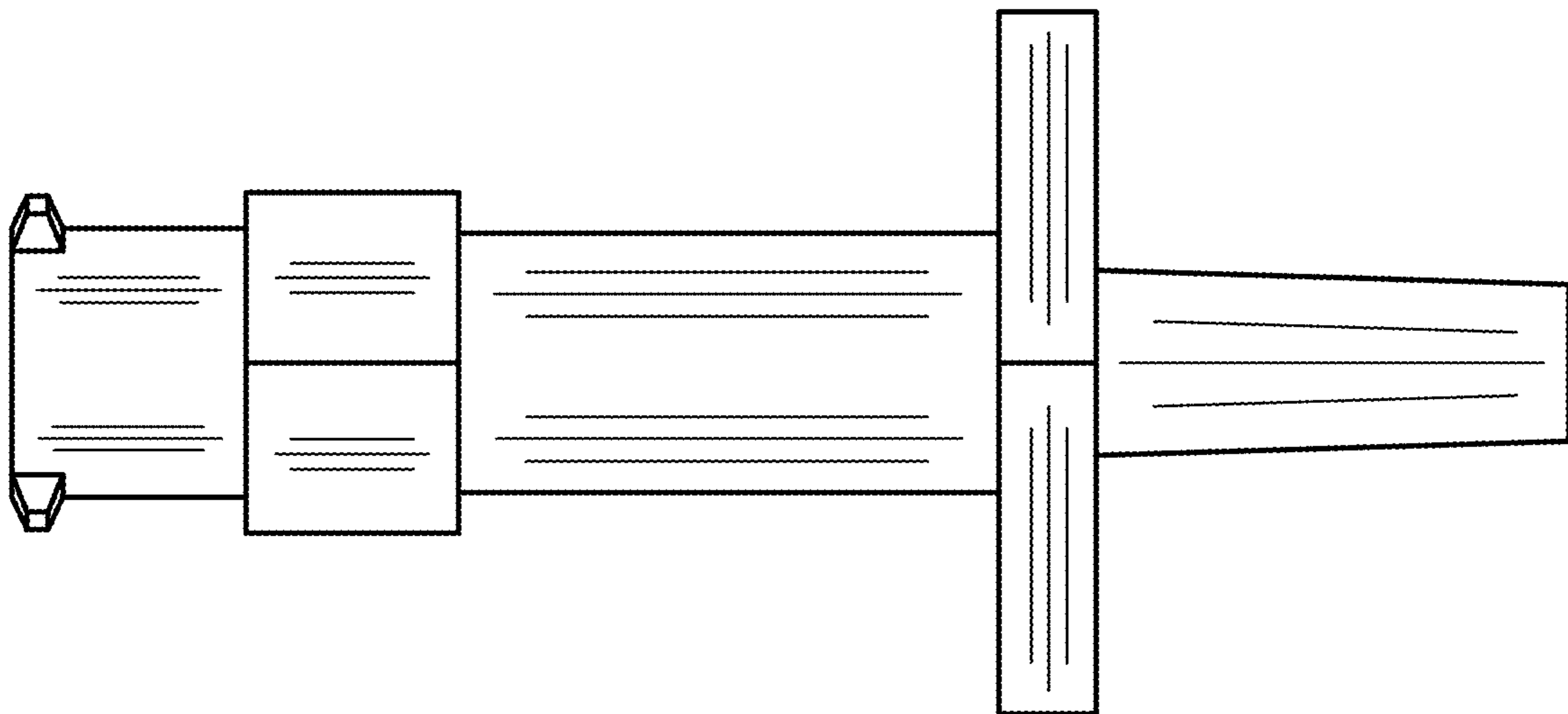


FIG. 3

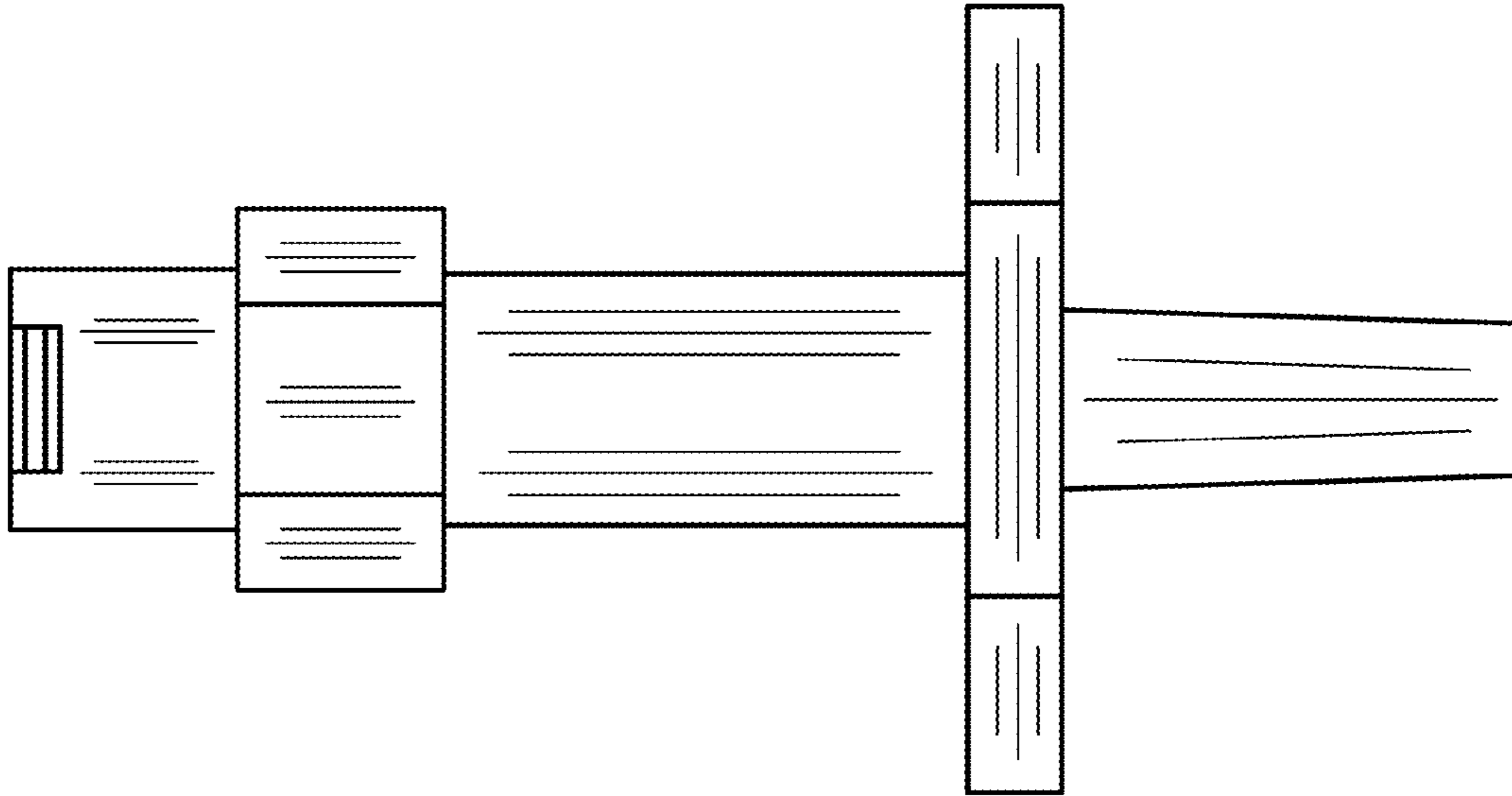


FIG. 4

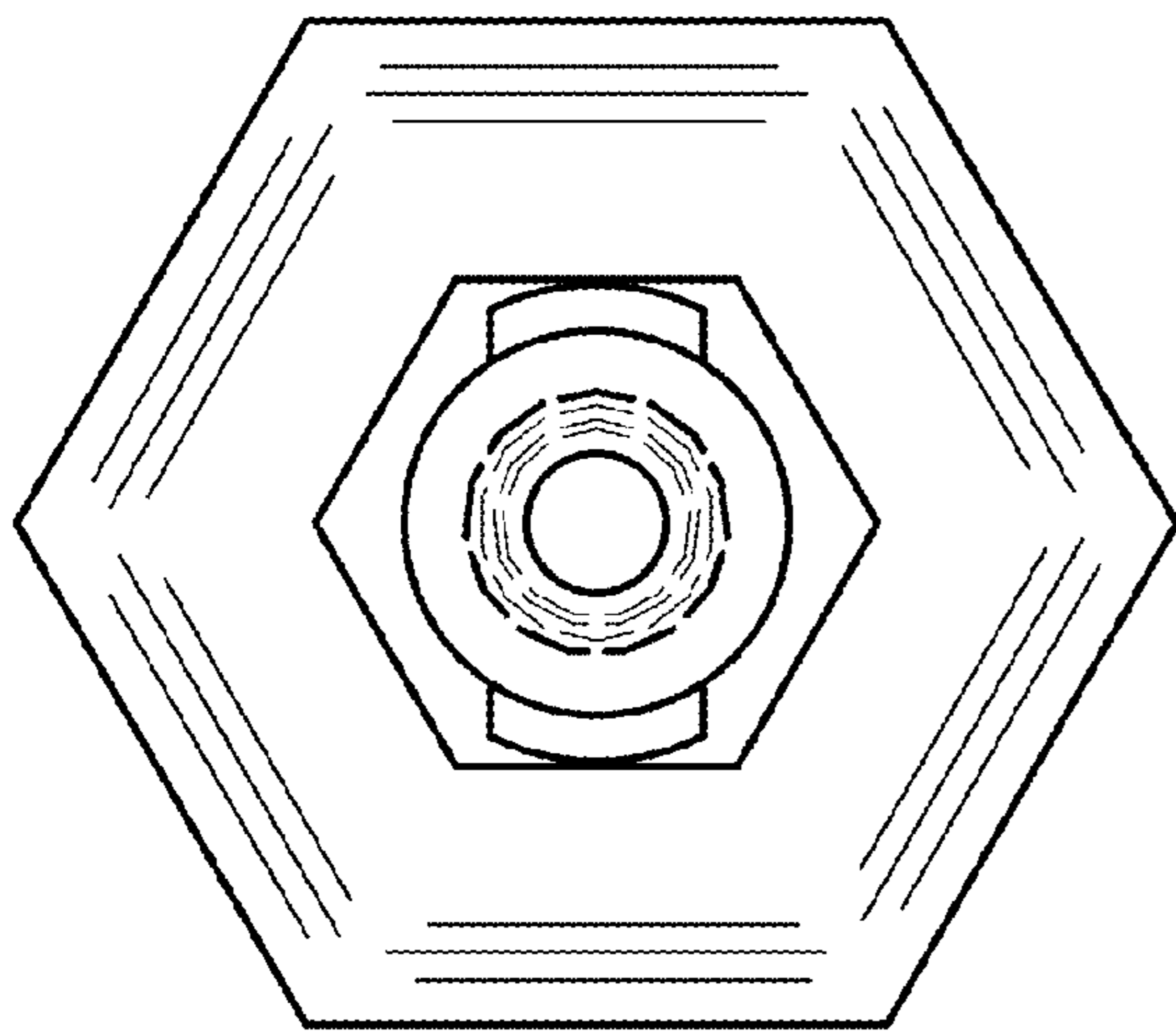


FIG. 5

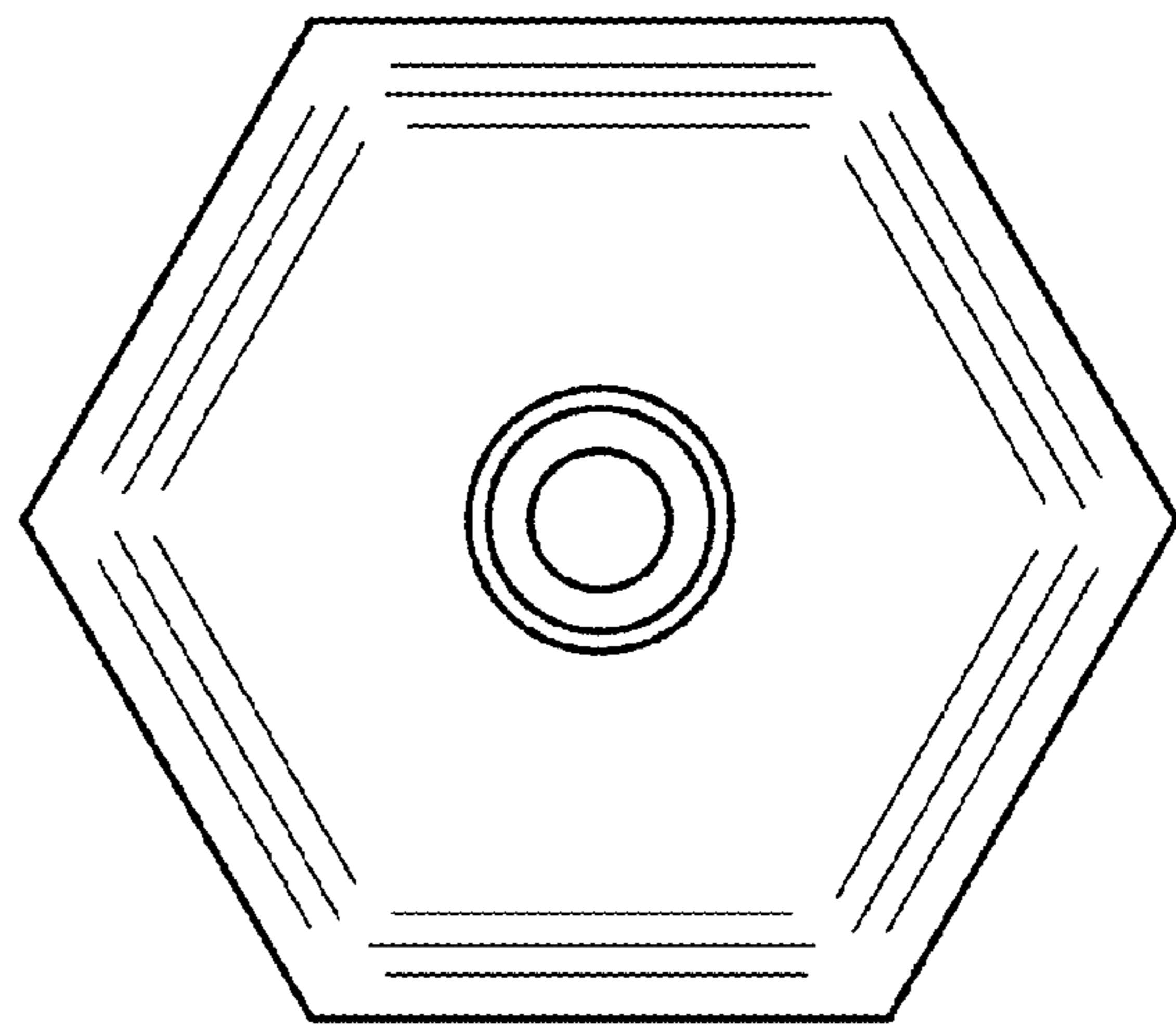


FIG. 6

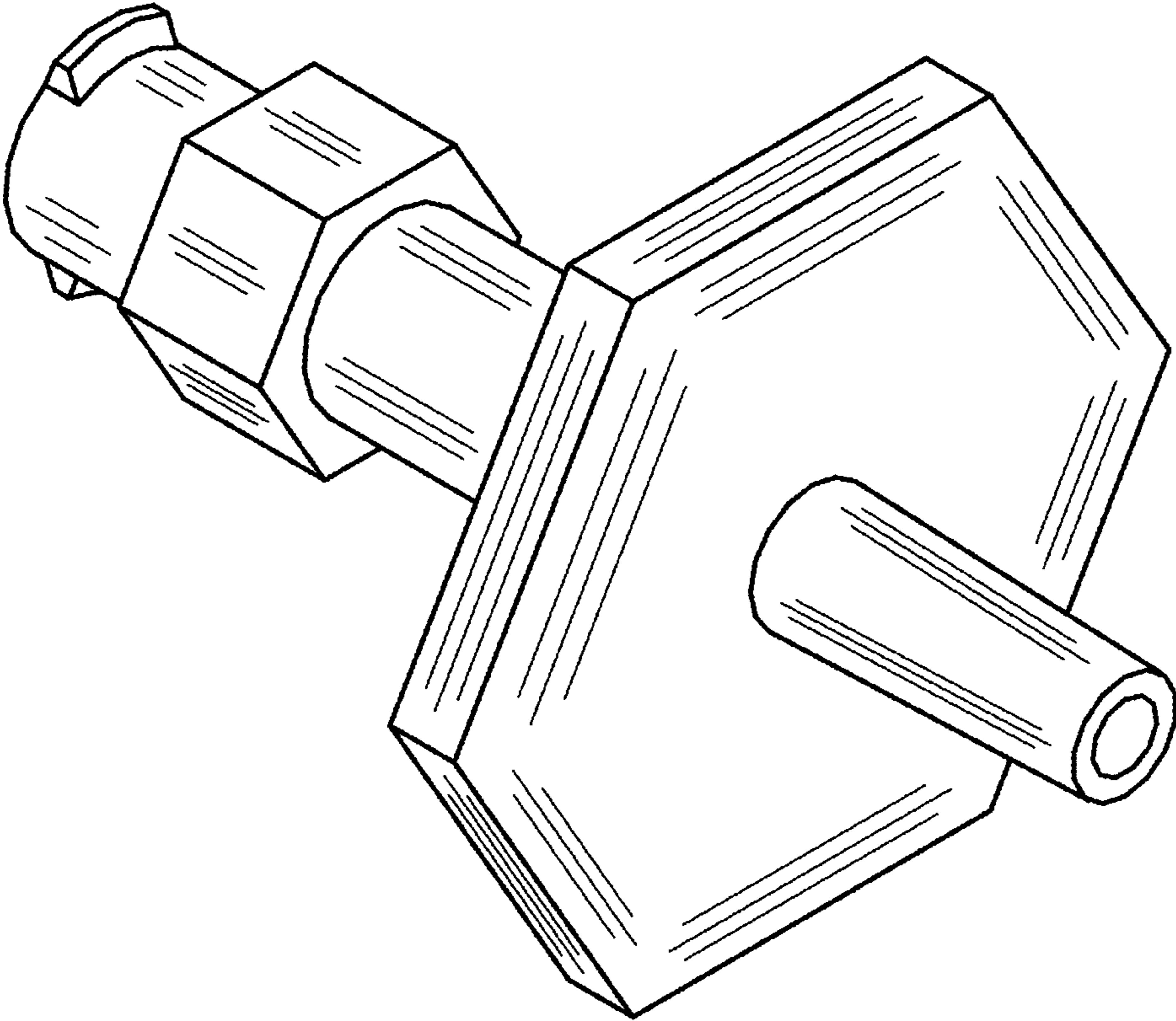


FIG. 7

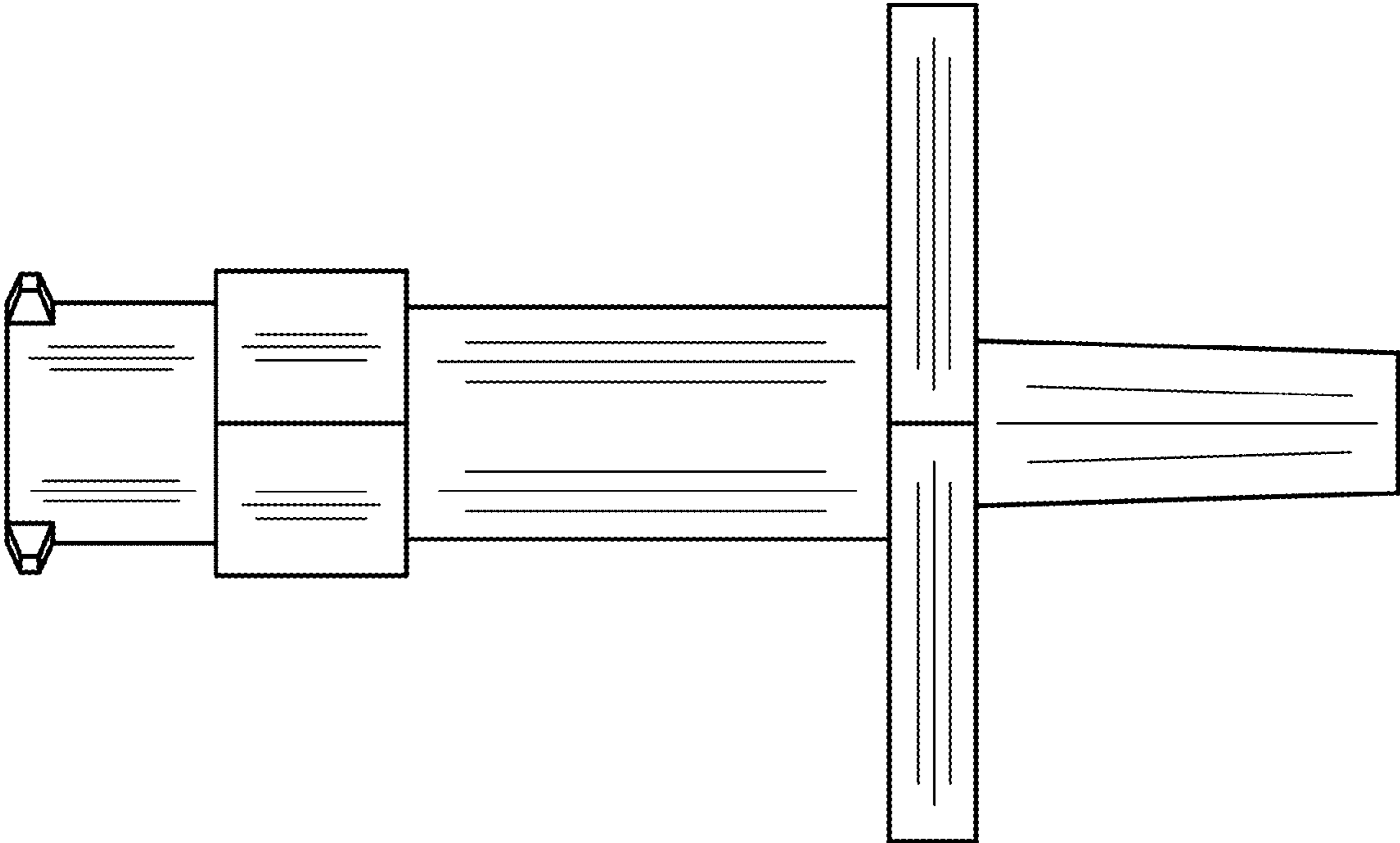


FIG. 8

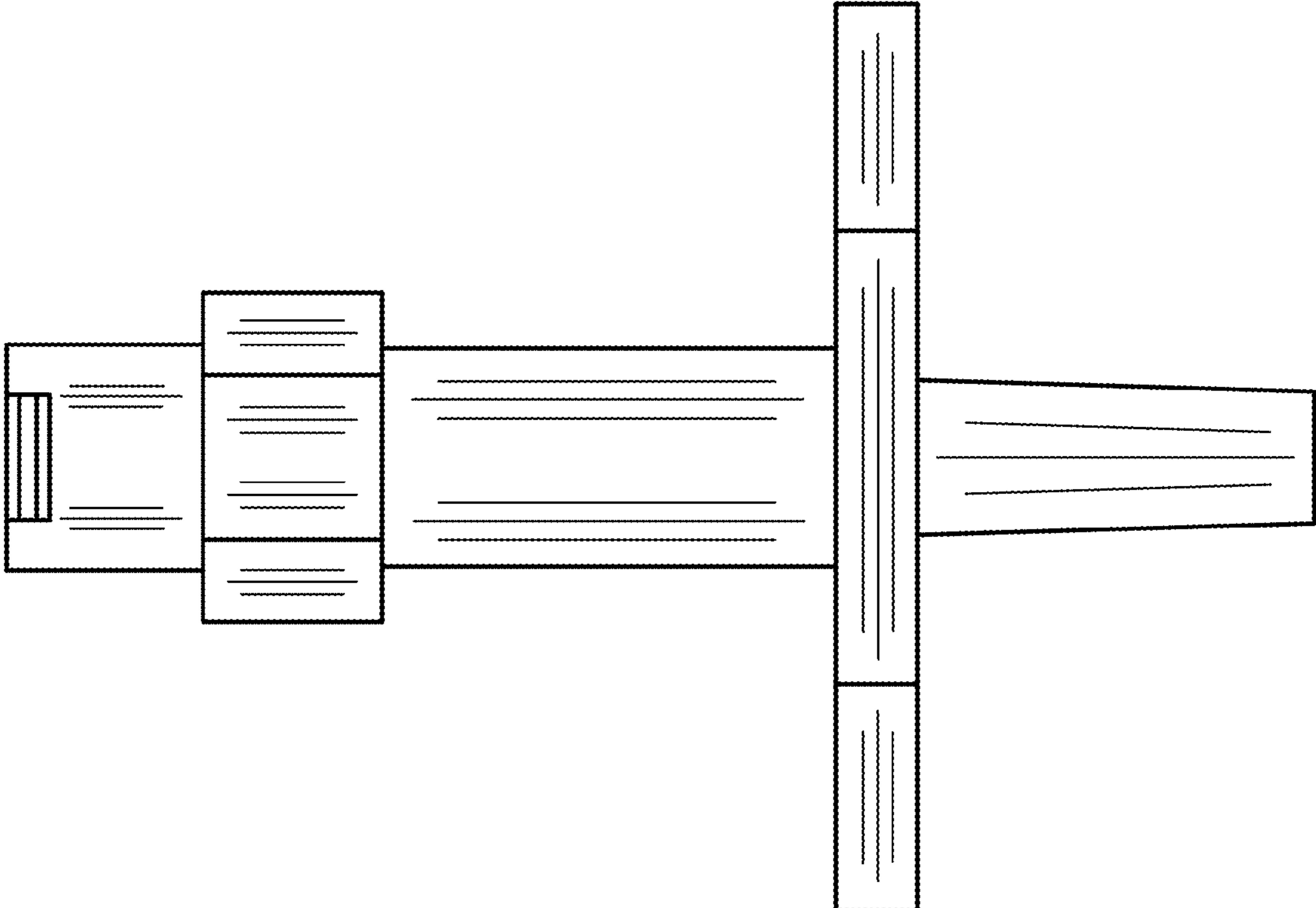


FIG. 9

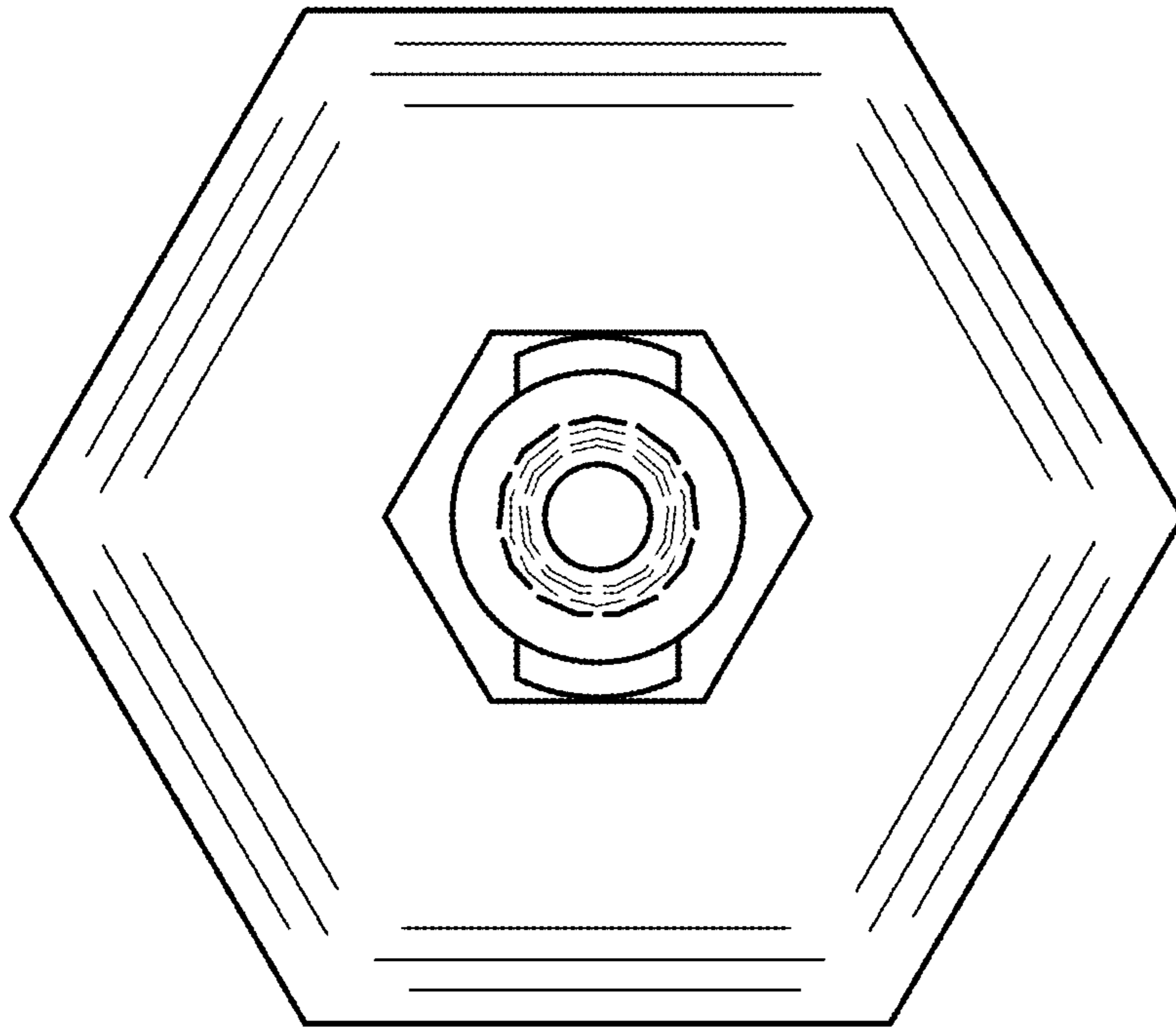


FIG. 10

