



US00D940308S

(12) **United States Design Patent**
Leibitzki et al.

(10) **Patent No.:** **US D940,308 S**
(45) **Date of Patent:** **** Jan. 4, 2022**

(54) **ADAPTER FOR A TRACHEAL TUBE**

FOREIGN PATENT DOCUMENTS

(71) Applicant: **Primed Halberstadt Medizintechnik GmbH**, Halberstadt (DE)

EM 007874136-0001 * 5/2020

(72) Inventors: **Sascha Leibitzki**, Blankenburg (DE);
Peter Traeger, Halberstadt (DE)

OTHER PUBLICATIONS

(73) Assignee: **Primed Halberstadt Medizintechnik GmbH**, Halberstadt (DE)

Trach Tube Flex Connector, Cascade Healthcare Solution, [Post Date Unknown], [Site seen Oct. 18, 2021], Seen at URL: <https://www.cascadehealthcaresolutions.com/trach-tube-flex-connector/> (Year: 2021).*

(**) Term: **15 Years**

(Continued)

(21) Appl. No.: **29/733,868**

Primary Examiner — Natasha Vujcic
Assistant Examiner — Gilbert B Ford

(22) Filed: **May 7, 2020**

(74) *Attorney, Agent, or Firm* — Cohen & Hildebrand, PLLC

(51) **LOC (13) Cl.** **24-02**

(52) **U.S. Cl.**
USPC **D24/129; D24/110.6**

(58) **Field of Classification Search**
USPC D24/129, 110–110.6, 112, 262, 264
CPC A61M 16/0816; A61M 16/0833; A61M 39/1011; A61M 2039/1027

(57) **CLAIM**

The ornamental design for an adapter for a tracheal tube, as shown and described.

See application file for complete search history.

DESCRIPTION

(56) **References Cited**

U.S. PATENT DOCUMENTS

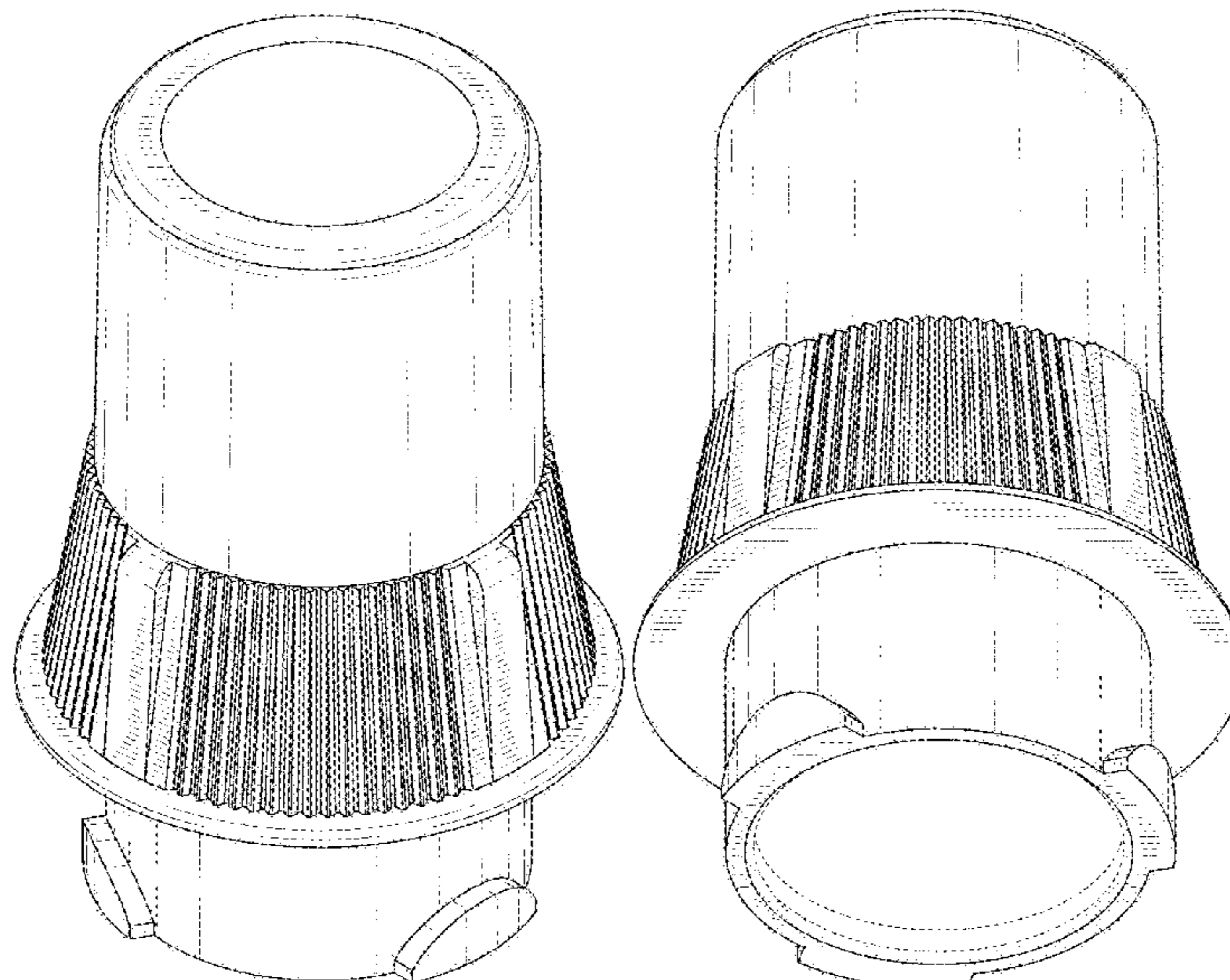
D327,314 S *	6/1992	Hayes	D23/262
D430,293 S *	8/2000	Jansen	D24/129
D567,339 S *	4/2008	Tiberghien	D23/262
D630,318 S *	1/2011	Goodwin	D24/129
D631,542 S *	1/2011	DeGross	D24/129
D660,417 S *	5/2012	Eury	D24/129
D747,463 S *	1/2016	Bare	D24/110.6
D791,939 S *	7/2017	Turturro	D24/129
D809,656 S *	2/2018	Lau	D24/129
9,968,770 B2 *	5/2018	Rosenquist	A61M 39/10
D833,586 S *	11/2018	Khubani	D23/262
D838,350 S *	1/2019	Downs	F16L 37/0841
				D23/262
D848,377 S *	5/2019	Maroney	D13/154
D861,162 S *	9/2019	Gulliver	D24/129

(Continued)

FIG. 1 is a top view of an adapter for a tracheal tube; FIG. 2 is a front view of the adapter for a tracheal tube; FIG. 3 is a bottom view of the adapter for a tracheal tube; FIG. 4 is a side view from the left side of the adapter for a tracheal tube; FIG. 5 is a back view of the adapter for a tracheal tube; FIG. 6 is a side view from the right side of the adapter for a tracheal tube; FIG. 7 is a perspective view from the top of the adapter for a tracheal tube; and, FIG. 8 is a perspective view from the bottom of the adapter for a tracheal tube.

The broken lines in the drawings illustrate portions of the adapter for a tracheal tube which forms no part of the claimed design.

1 Claim, 8 Drawing Sheets



(56)

References Cited

U.S. PATENT DOCUMENTS

D896,758 S * 9/2020 Watkins D13/133
D910,840 S * 2/2021 Klenner D24/129
D924,377 S * 7/2021 Kwak D23/262
D933,172 S * 10/2021 Garcia Blanco D23/262
2012/0097170 A1 * 4/2012 Dawson A61M 16/0468
128/207.16
2014/0305440 A1 * 10/2014 Root A61M 16/0468
128/207.16

OTHER PUBLICATIONS

CareFusion AirLife Oxygen Tubing Adapter, Health Products for You, [Post Date Unknown], [Site seen Oct. 18, 2021], Seen at URL: <https://www.healthproductsforyou.com/p-carefusion-airlife-oxygen-tubing-adapter.html> (Year: 2021).*

* cited by examiner

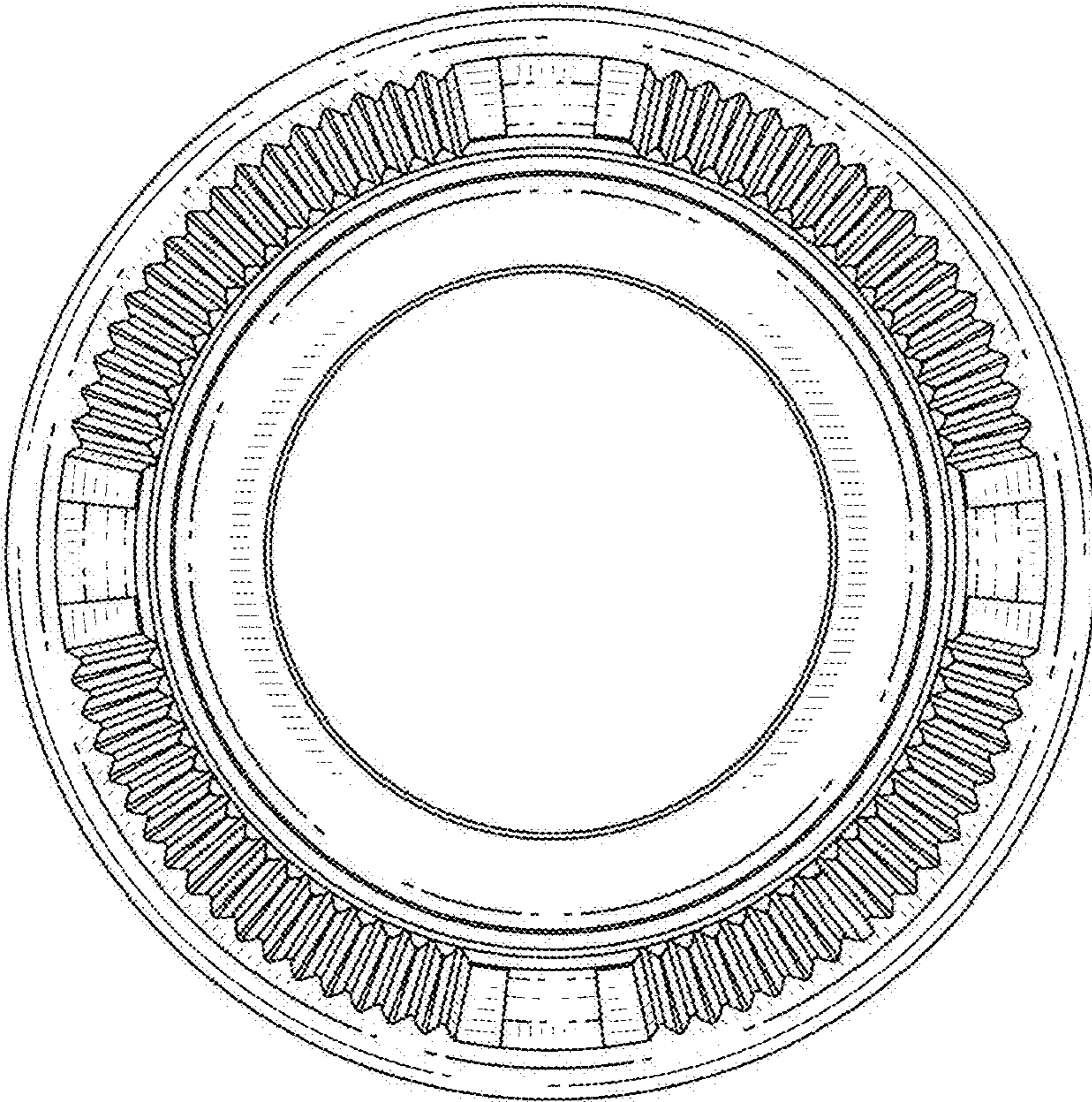


FIG. 1

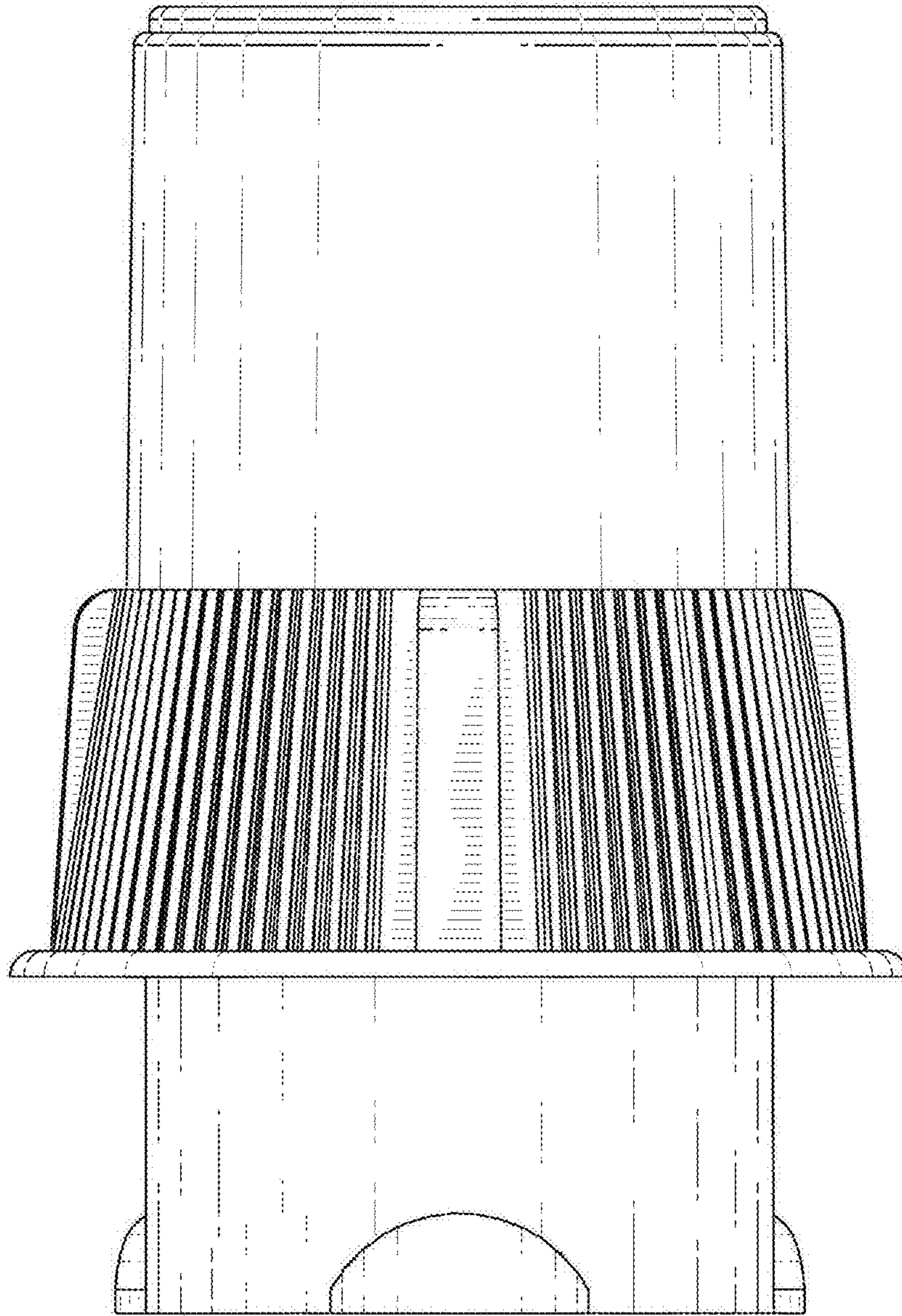


FIG. 2

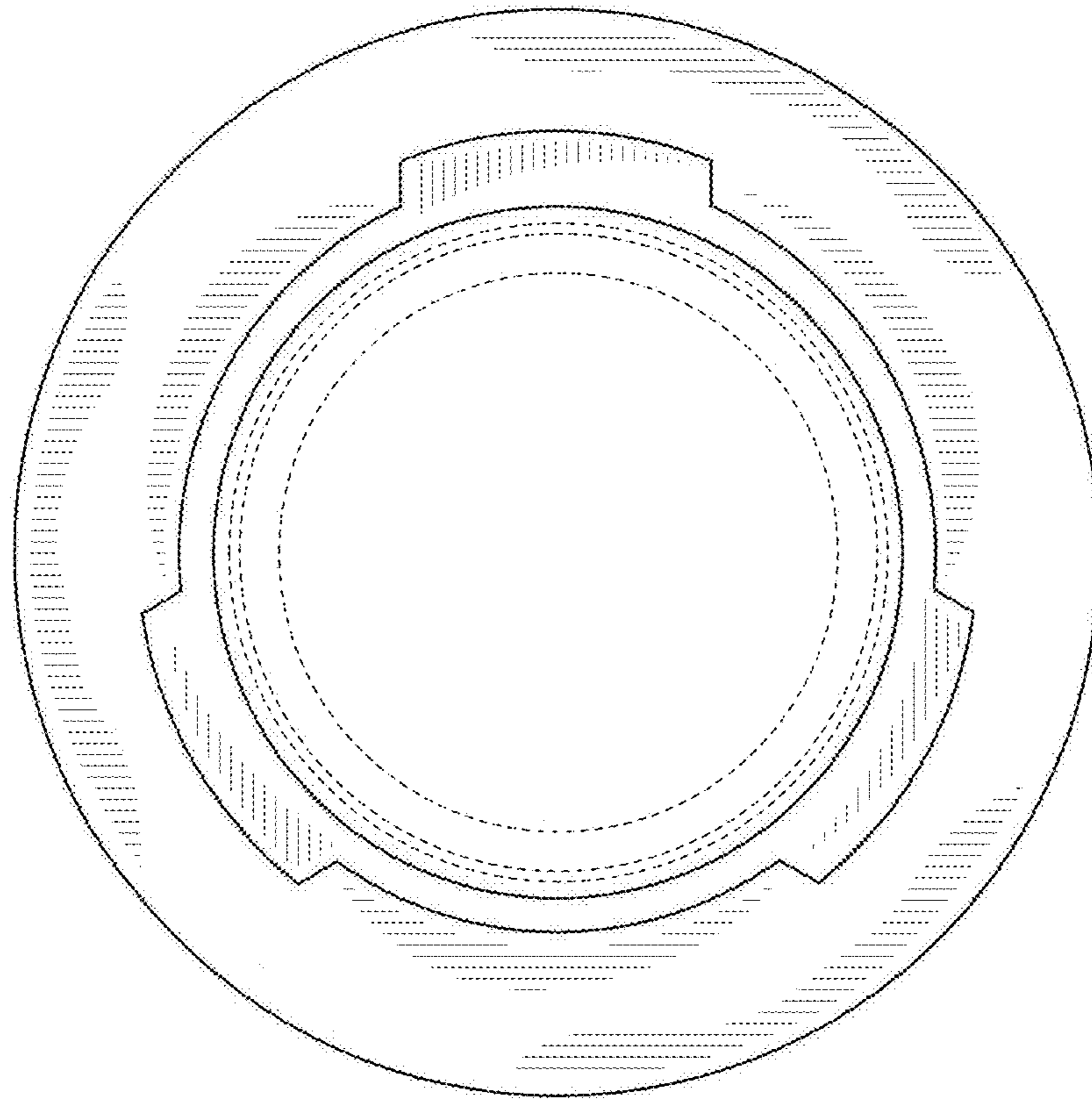


FIG. 3

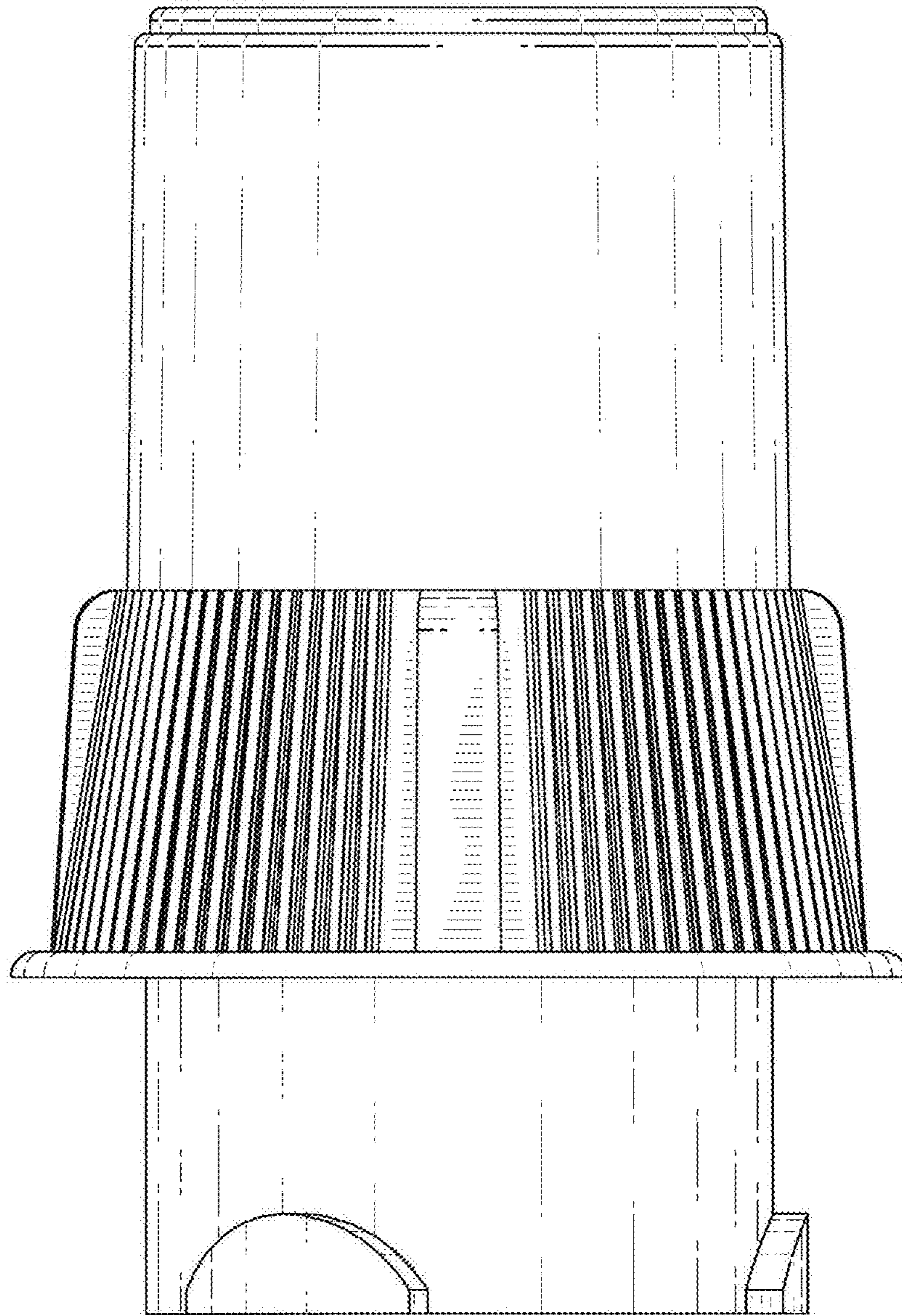


FIG. 4

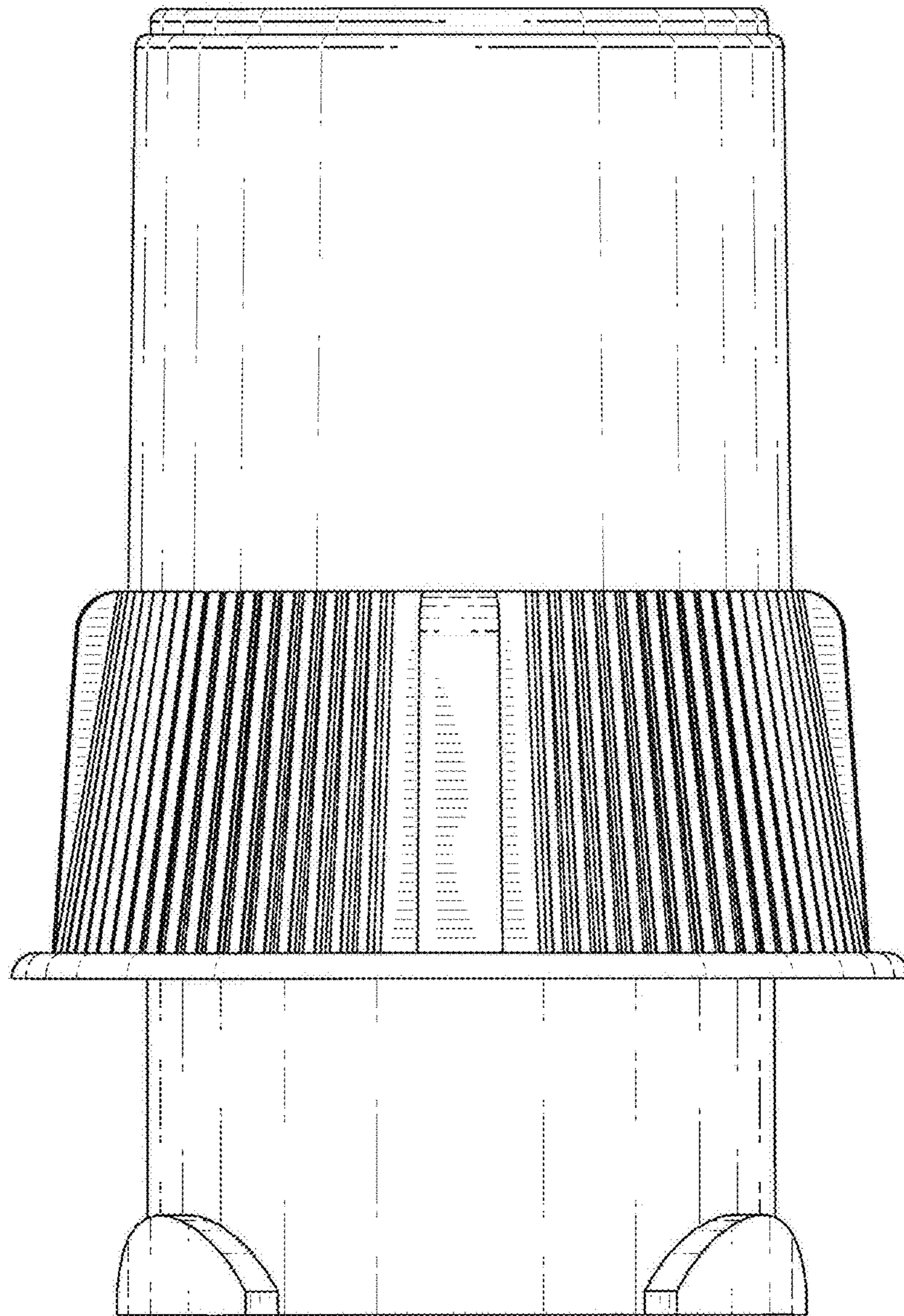


FIG. 5

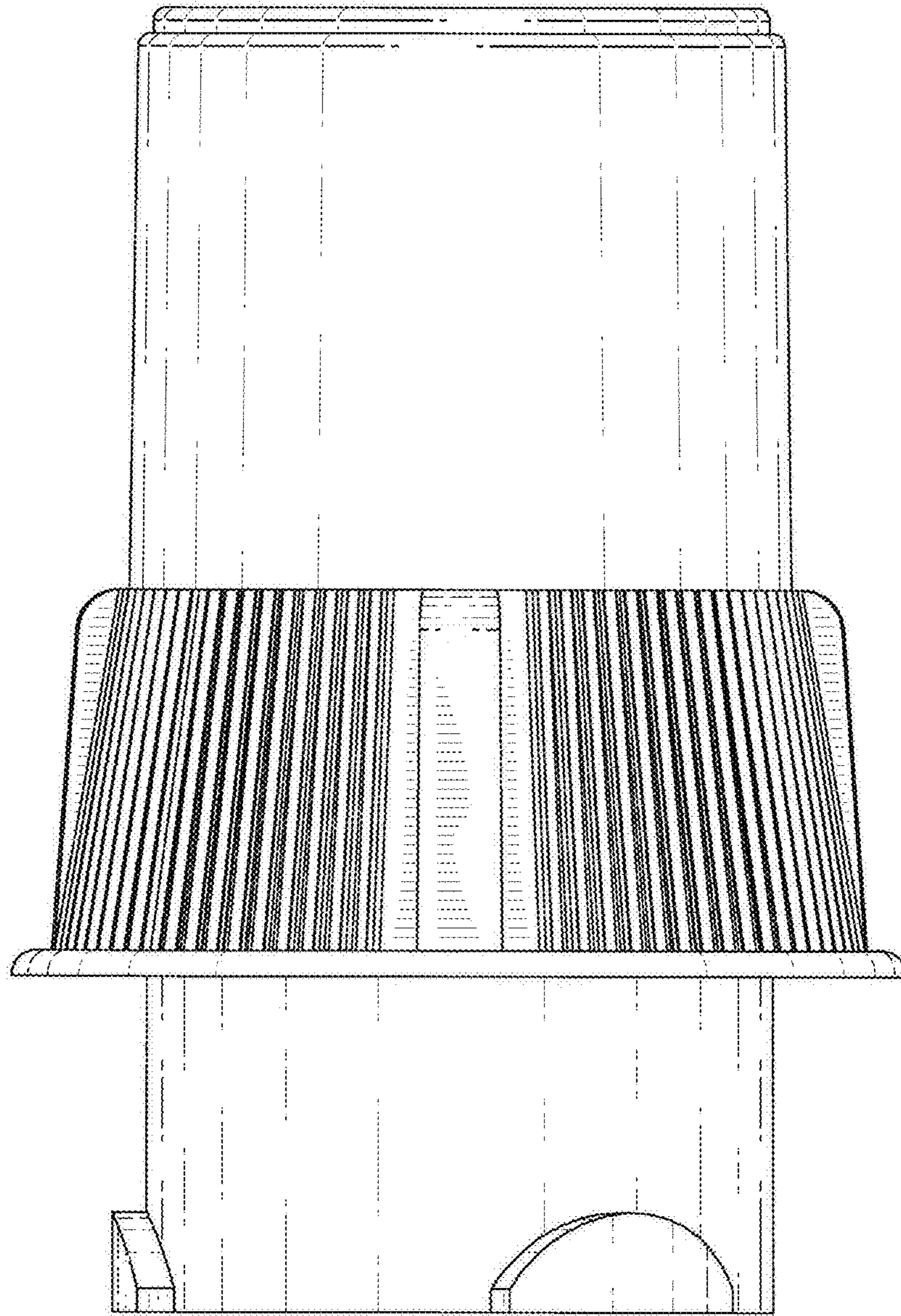


FIG. 6

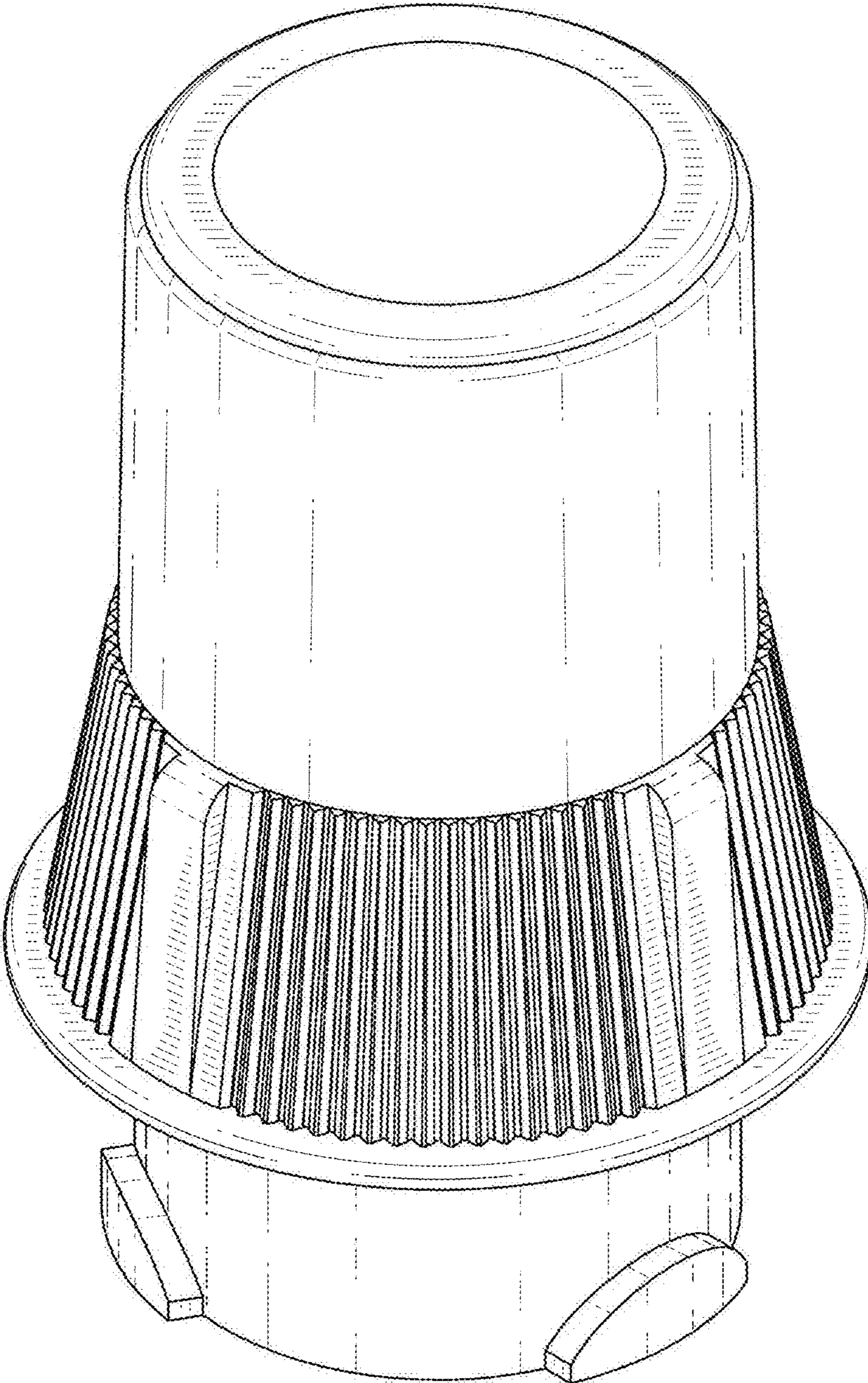


FIG. 7

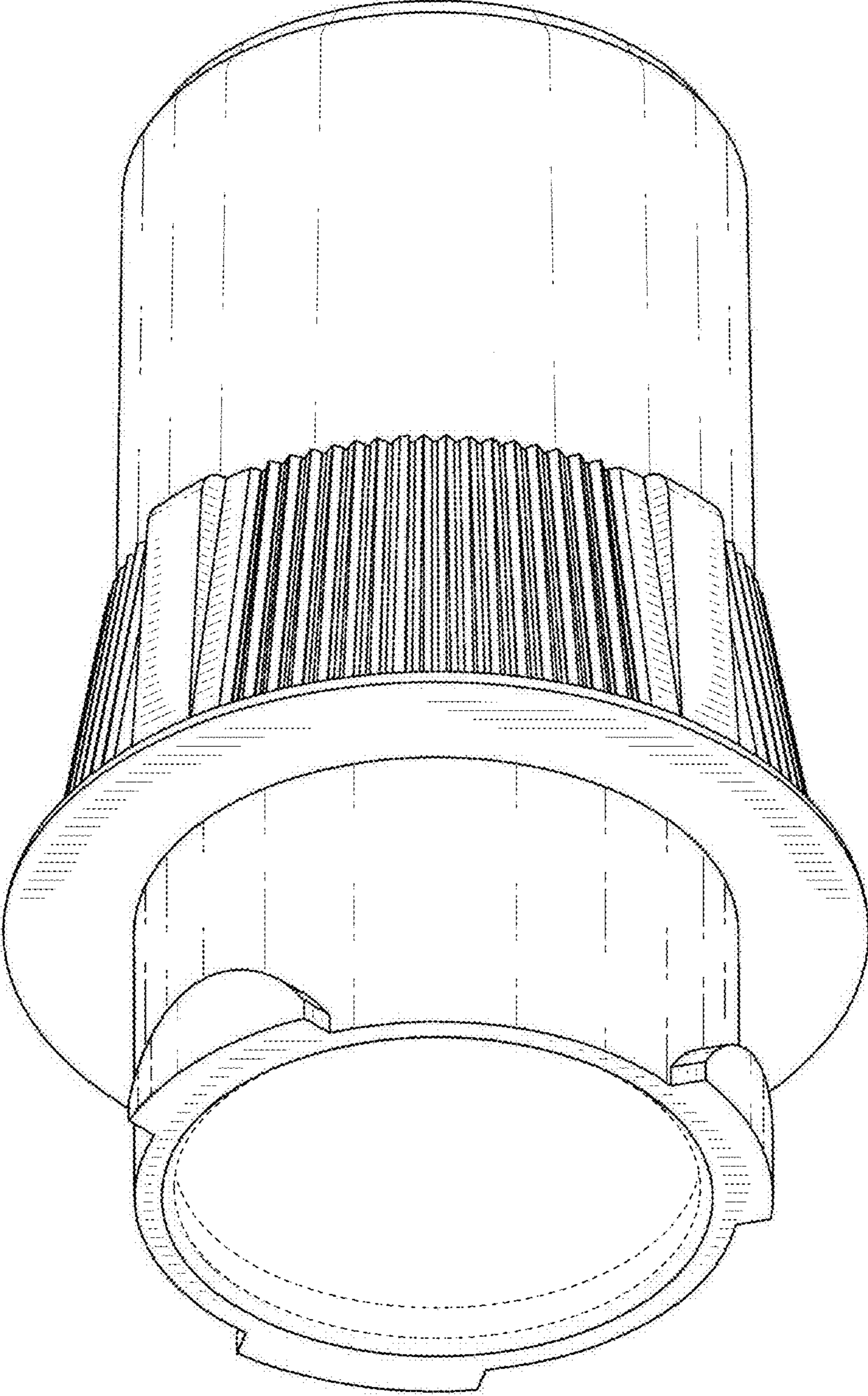


FIG. 8