



US00D940306S

(12) **United States Design Patent**
Osypka et al.

(10) **Patent No.:** **US D940,306 S**
(45) **Date of Patent:** **** Jan. 4, 2022**

(54) **STEERABLE CATHETER HANDLE**

FOREIGN PATENT DOCUMENTS

(71) Applicant: **Oscor Inc.**, Palm Harbor, FL (US)

CN 304506220 * 2/2018

(72) Inventors: **Thomas P. Osypka**, Palm Harbor, FL (US); **Andrew J. Enerson**, New Port Richey, FL (US); **Michael John Gelineau**, Lutz, FL (US)

OTHER PUBLICATIONS

Biosense Webster Launches Carto Vizigo Bi-Directional Guidance Sheath, .dicardiology.com/, [Postdate 5/0/2018], [Site seen Nov. 15, 2021], Seen at URL: <https://www.dicardiology.com/product/biosense-webster-launches-carto-vizigo-bi-directional-guidance-sheath> (Year: 2018).*

(73) Assignee: **Oscor Inc.**, Palm Harbor, FL (US)

(Continued)

(**) Term: **15 Years**

Primary Examiner — Natasha Vujcic
Assistant Examiner — Gilbert B Ford

(21) Appl. No.: **29/737,782**

(74) *Attorney, Agent, or Firm* — Locke Lord LLP; Scott D. Wofsy

(22) Filed: **Jun. 11, 2020**

(51) **LOC (13) Cl.** **24-02**

(52) **U.S. Cl.**
USPC **D24/127; D24/133**

(58) **Field of Classification Search**
USPC D24/108, 112, 117, 118, 130, 133, 135, D24/137, 138, 222, 111, 113, 127, 144, D24/170
CPC A61M 25/0147; A61M 25/01; A61M 25/0105; A61M 25/0133; A61M 25/0136; A61M 2025/015

(57) **CLAIM**

We claim, the ornamental design for a steerable catheter handle, as shown and described.

See application file for complete search history.

DESCRIPTION

(56) **References Cited**

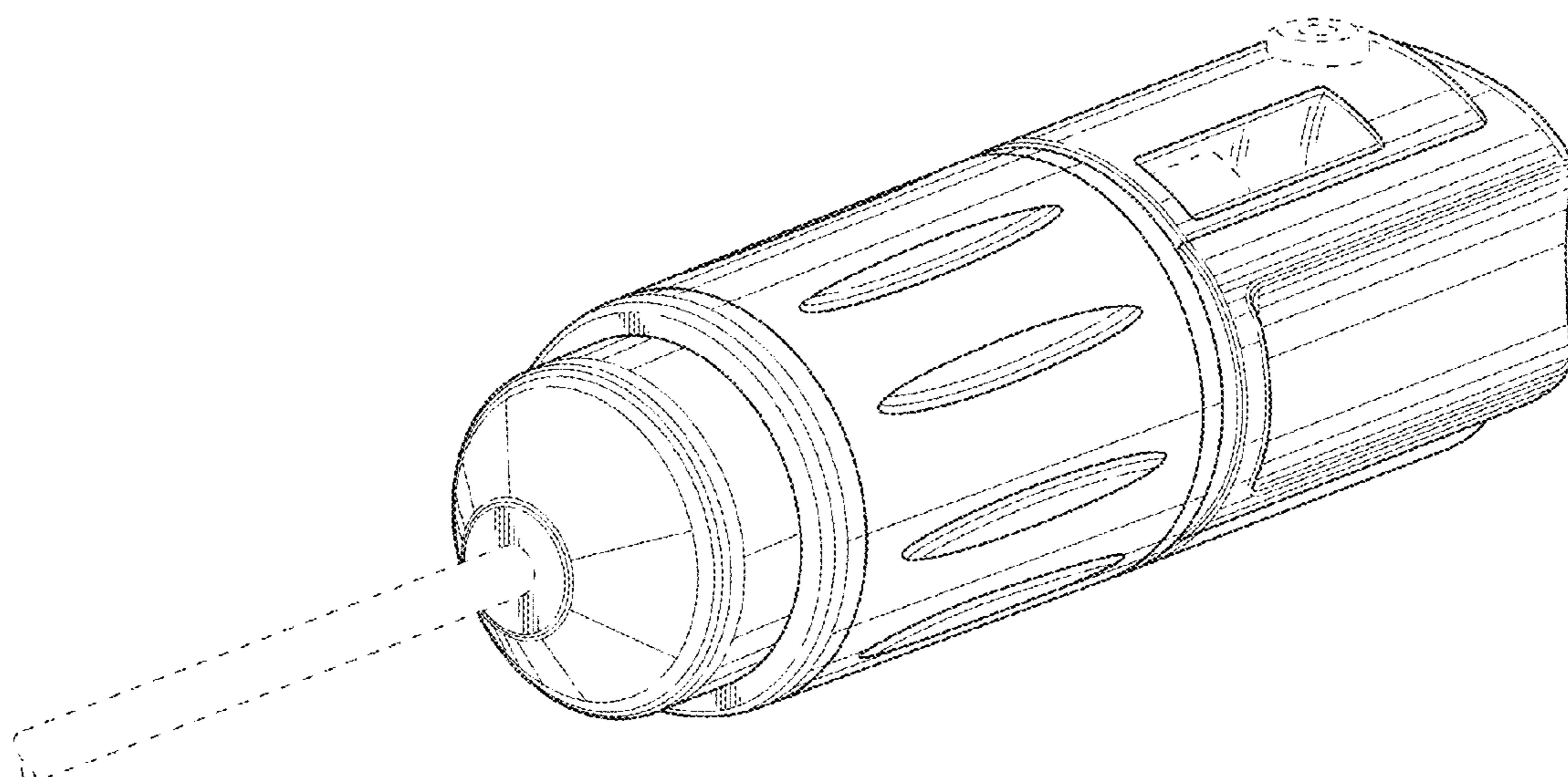
U.S. PATENT DOCUMENTS

D347,473 S *	5/1994	Nitzsche	D24/112
D422,359 S *	4/2000	Fitch	D24/133
D579,542 S *	10/2008	Ranalletta	D24/108
D612,044 S *	3/2010	Scheibe	D24/130
D648,851 S *	11/2011	Copeland	D24/133
D655,413 S *	3/2012	Nino	D24/133
D708,740 S	7/2014	Osypka et al.		
D718,437 S	11/2014	Osypka		
9,061,120 B2 *	6/2015	Osypka	A61M 25/0136
D758,566 S *	6/2016	Chen	D24/113

(Continued)

FIG. 1 is a front perspective view of a steerable catheter handle;
FIG. 2 is a left side elevational view of the steerable catheter handle;
FIG. 3 is a top plan view of the steerable catheter handle;
FIG. 4 is a right side elevational view of the steerable catheter handle;
FIG. 5 is a bottom plan view of the steerable catheter handle;
FIG. 6 is a front elevational view of the steerable catheter handle;
FIG. 7 is a rear elevational view of the steerable catheter handle; and,
FIG. 8 is a rear perspective view of the steerable catheter handle.
The broken lines in the drawings illustrate portions of a steerable catheter handle and form no part of the claimed design.

1 Claim, 7 Drawing Sheets



(56)

References Cited

U.S. PATENT DOCUMENTS

9,498,602 B2 * 11/2016 Osypka A61M 25/0147
D782,037 S 3/2017 Osypka et al.
D787,052 S * 5/2017 Heinz D24/130
D797,923 S * 9/2017 Pereira D24/112
D806,244 S * 12/2017 Rezac D24/133
D897,185 S * 9/2020 Perkins, Jr. D8/303
D909,576 S * 2/2021 Wang D24/144
D912,818 S * 3/2021 Wang D24/144
D934,649 S * 11/2021 Bast D8/107
2015/0258307 A1 * 9/2015 Osypka A61M 25/0136
604/529
2018/0126124 A1 * 5/2018 Winston A61M 25/0052
2018/0154114 A1 * 6/2018 Tang A61M 39/06

OTHER PUBLICATIONS

Composer® Handle Platform, Freudenberg medical, [Postdate unknown], [Site seen Nov. 15, 2021], Seen at URL: <https://www.freudenbergmedical.com/en/what-we-offer/product-solutions/composer-handle-platform/> (Year: 2021).*

Destino Twist, Oscor Inc., Youtube.com [Postdate Jun. 20, 2018], [Site seen Nov. 15, 2021], Seen at URL: <https://www.youtube.com/watch?v=VoWOOqckdj8> (Year: 2018).*

* cited by examiner

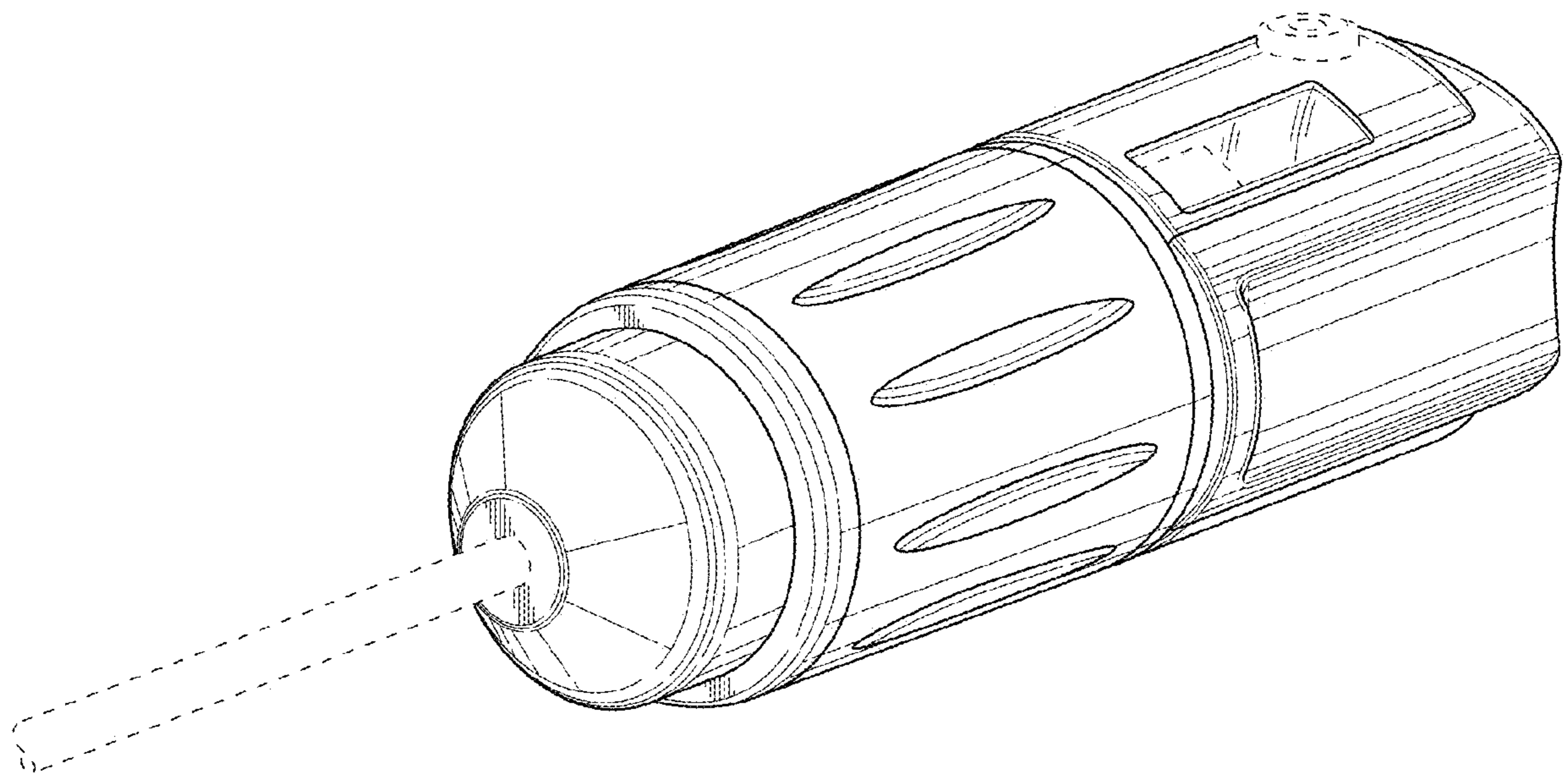


FIG. 1

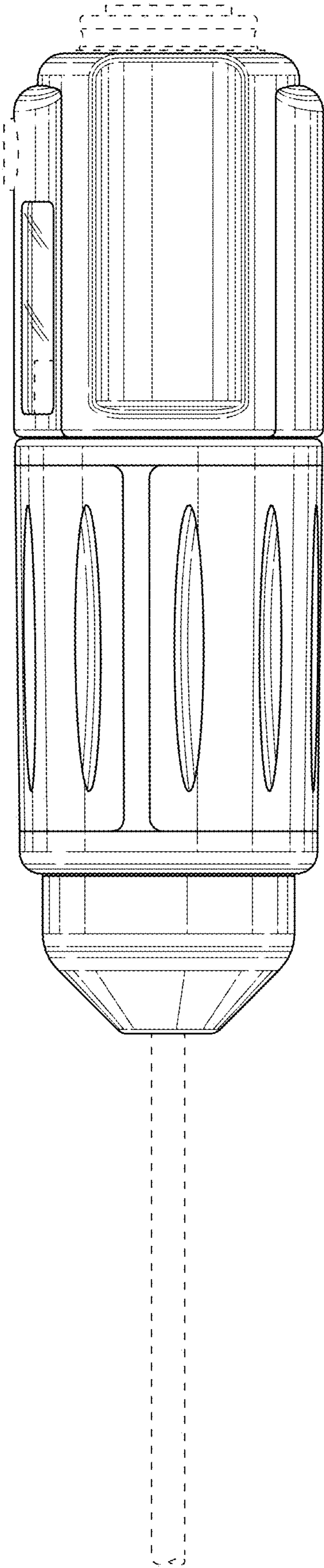


FIG. 2

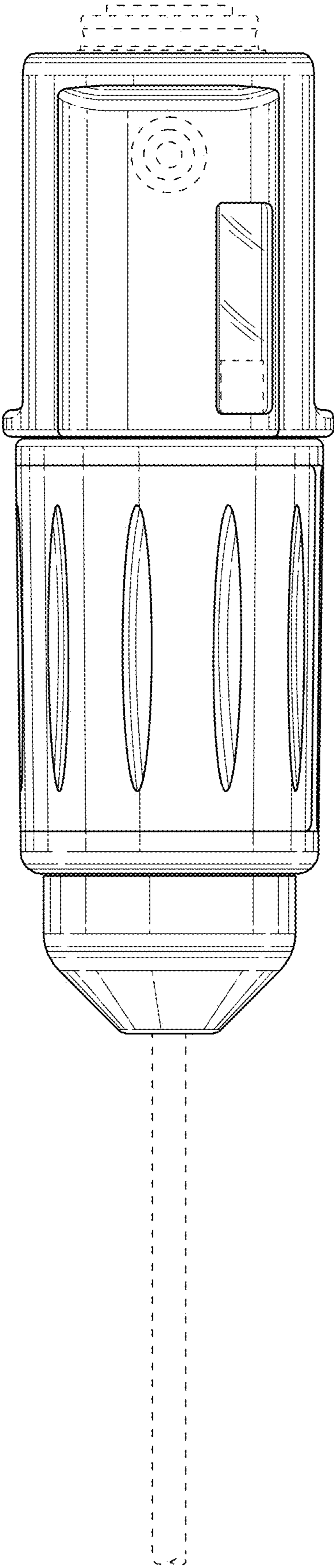


FIG. 3

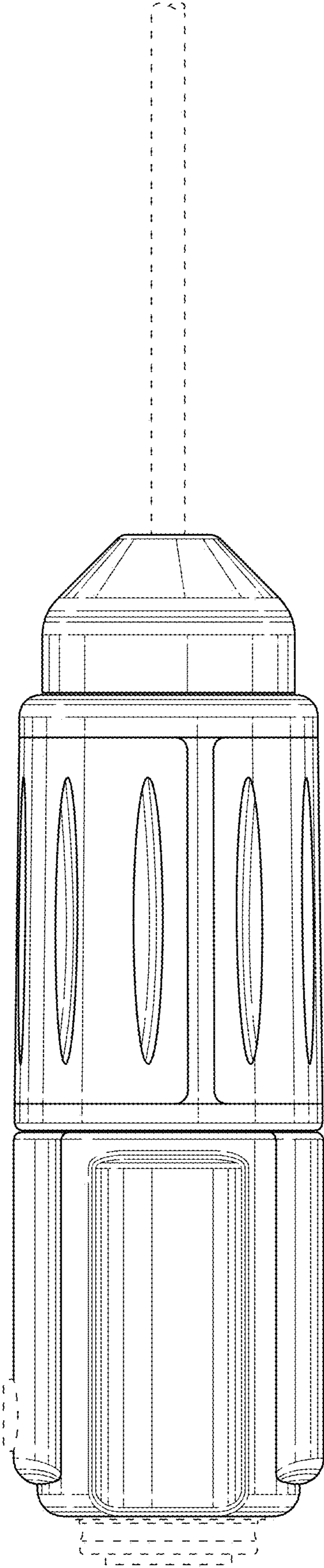


FIG. 4

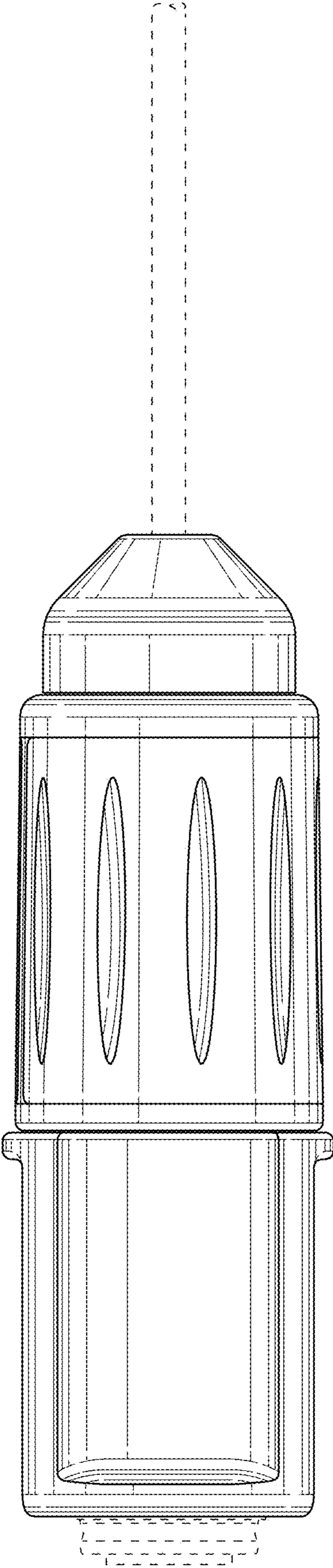


FIG. 5

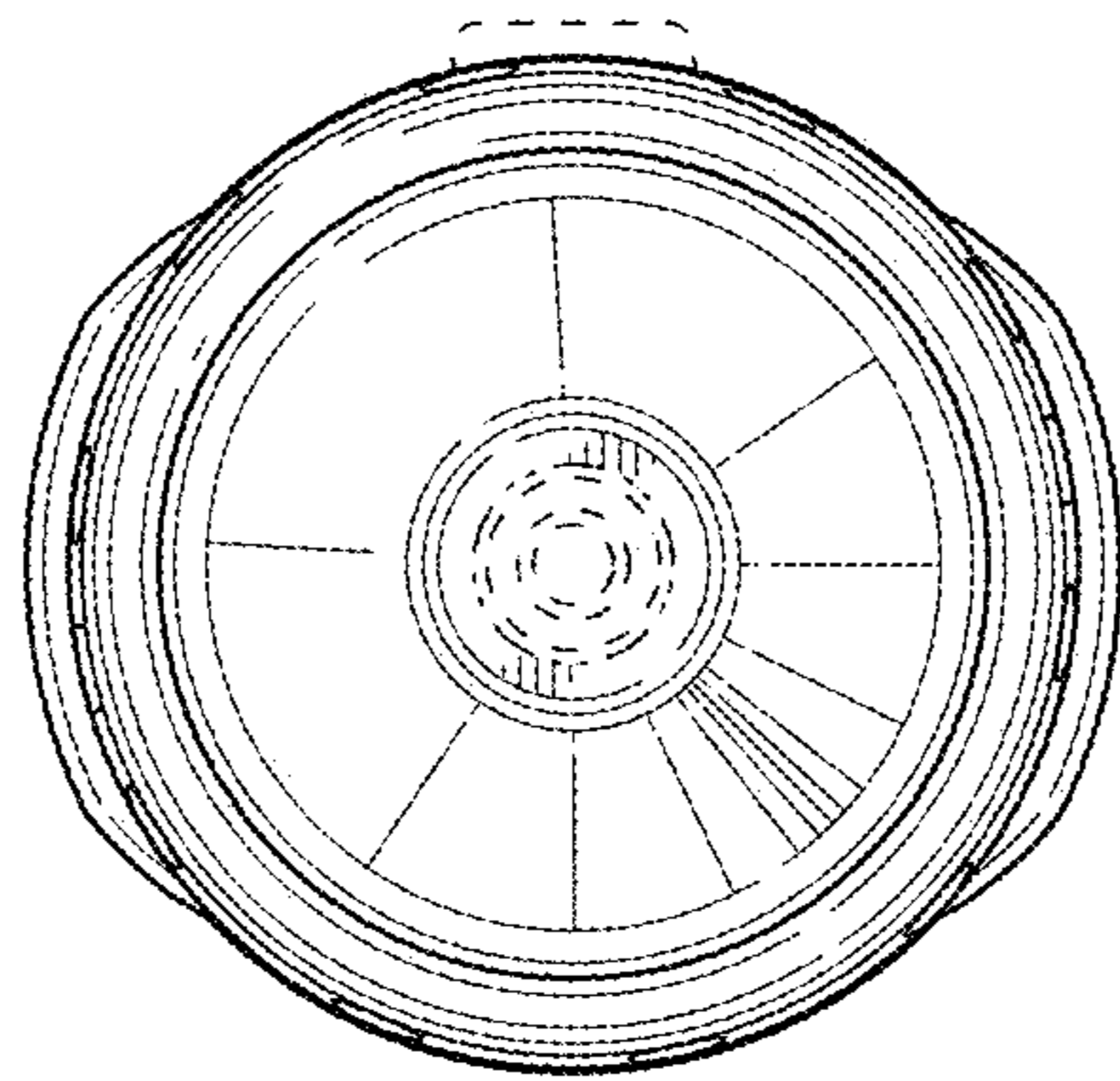


FIG. 6

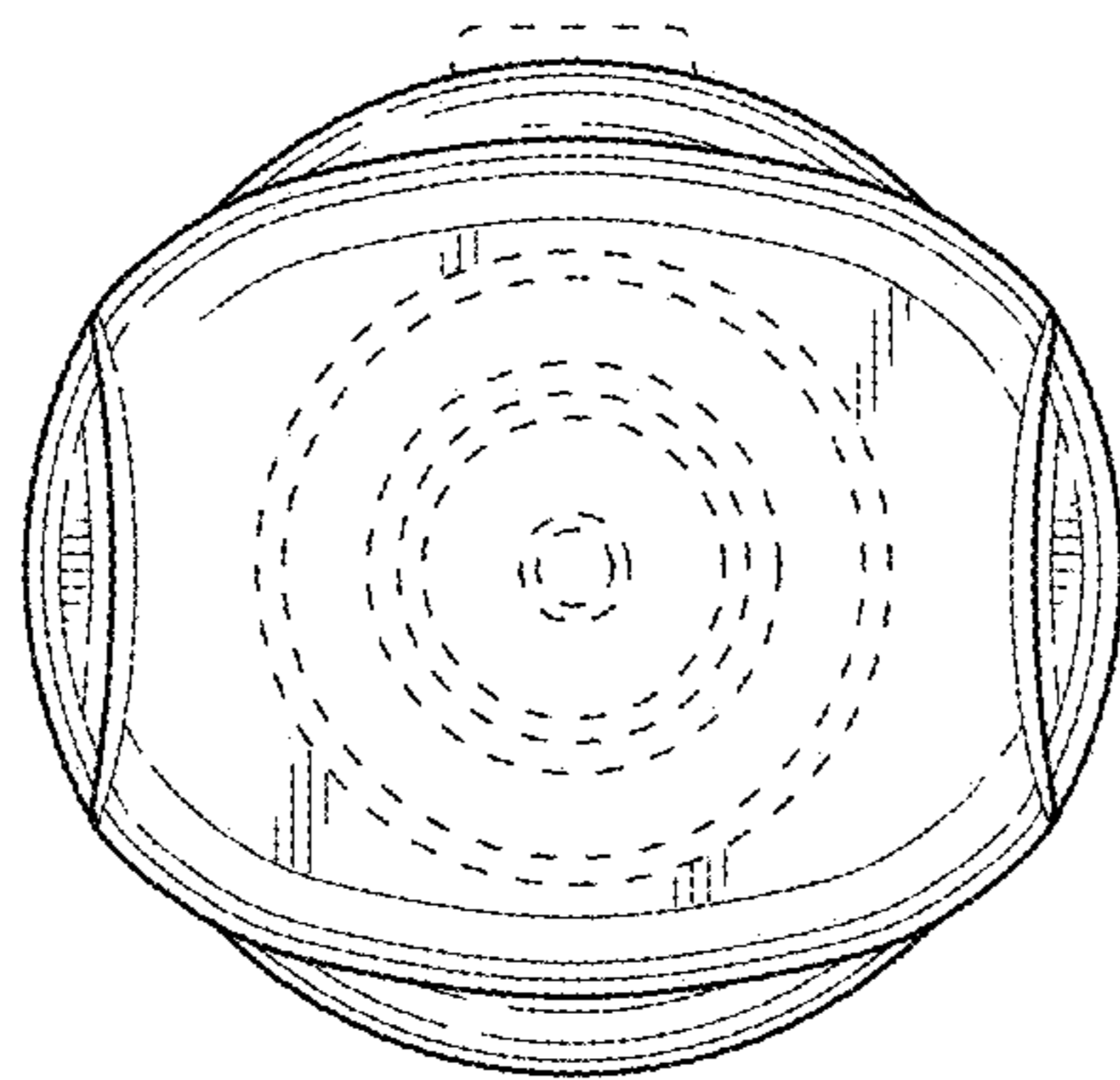


FIG. 7

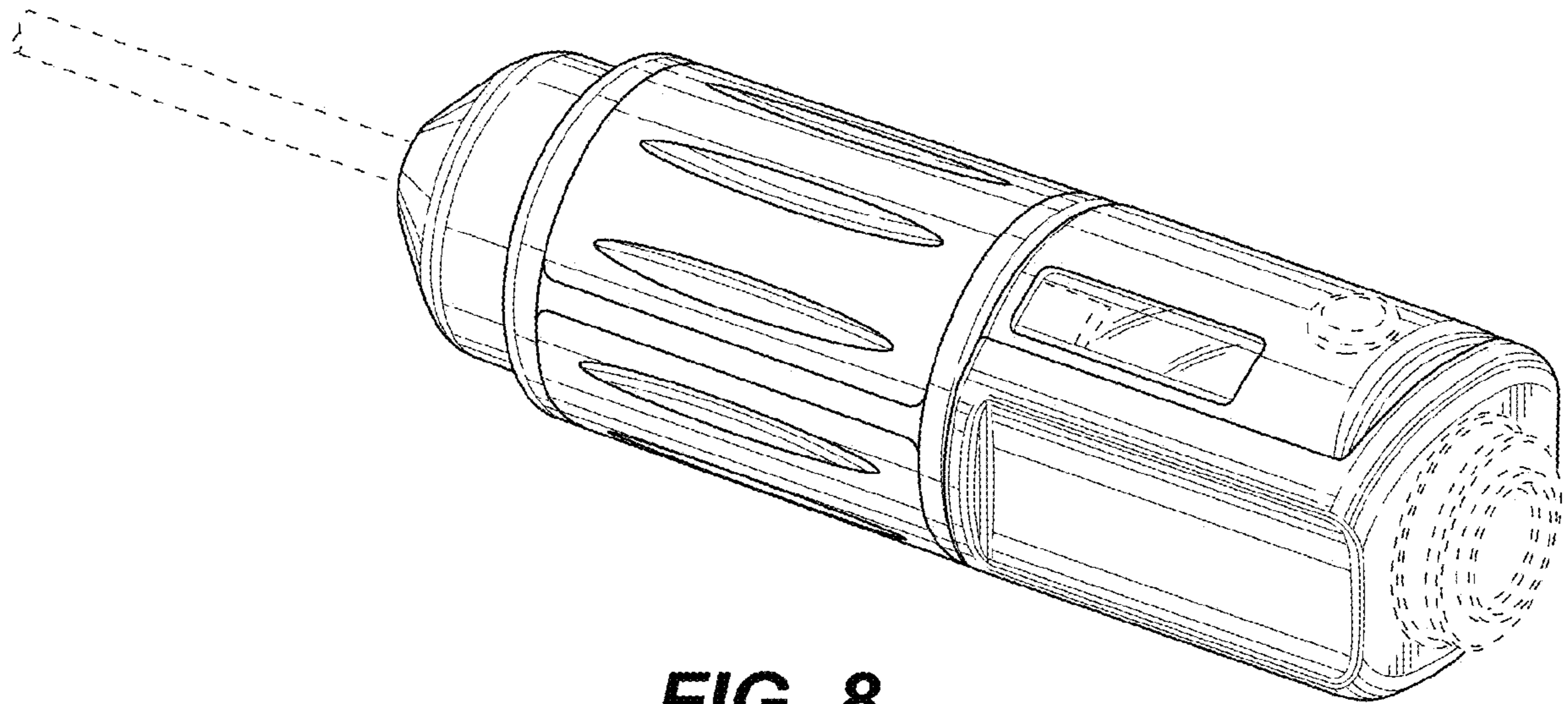


FIG. 8