



US00D940304S

(12) **United States Design Patent**
Thau et al.

(10) **Patent No.:** **US D940,304 S**
(45) **Date of Patent:** **** Jan. 4, 2022**

(54) **RECLOSEABLE SWAB APPLICATOR**

(71) Applicants: **Sonic Packaging Industries, Inc.**,
Westwood, NJ (US); **Nantech Plastics,**
Inc, Ronkonkoma, NY (US)

(72) Inventors: **Howard Thau**, Woodcliff Lake, NJ
(US); **Thomas Nagler**, Greenlawn, NY
(US); **Michael A Botta**, Ridge, NY
(US); **Mian S Yousuf**, Bay Shore, NY
(US)

(**) Term: **15 Years**

(21) Appl. No.: **29/728,973**

(22) Filed: **Mar. 23, 2020**

(51) **LOC (13) Cl.** **24-02**

(52) **U.S. Cl.**
USPC **D24/119**

(58) **Field of Classification Search**
USPC 600/562, 564, 566-567; 604/1; 606/162;
D14/152, 1; D16/130, 132, 136;
D19/96; D23/303, 304, 305; D24/105,
D24/107-108, 110-119, 10.5, 127-130,
D24/144-149, 132-135, 137-138,
D24/140-141, 152, 172-174, 176,
D24/185-186, 208, 211, 214-215, 220,
D24/222; D32/45, 51; D4/104-105, 108,
D4/110-114, 132, 137-138; D8/98-100,
D8/105, 14, 17, 20, 305, 315-316, 47
CPC A46B 15/00; A46B 15/0075; A46B 5/04;
A46B 15/0069; A46B 15/0071; A46B
220/1066; A61H 13/00; A61H 220/0153;
A61H 19/00; A61H 19/40; A61H
2205/087; A61H 39/08; A47G 21/00;
A46D 5/02; B65D 51/32; A61F
2013/15243; A61F 13/49001; A61F
11/006; A61F 13/36; A61F 13/38; A61F
9/00709; A61F 2013/4587; A61F
2013/53035; A61B 17/046004; A61B

(Continued)

(56) **References Cited**

U.S. PATENT DOCUMENTS

3,117,569 A * 1/1964 Wegner A61B 10/0012
600/367
D221,751 S * 9/1971 Kronish et al. D24/223
(Continued)

FOREIGN PATENT DOCUMENTS

CN 202030073099.4 * 3/2020
CN 202130037188.8 * 1/2021 24/2

OTHER PUBLICATIONS

Design for Manufacturing—Liquid Seal, natechplastics.com, [online],
[site visited Aug. 4, 2021], Available from internet URL: https://www.natechplastics.com/case_studies/case-study-liquid-seal/(Year:
2021).*

Primary Examiner — Samantha Q Lawrence
Assistant Examiner — Holly M Rodriguez
(74) *Attorney, Agent, or Firm* — Chinta & Fratangelo
LLP

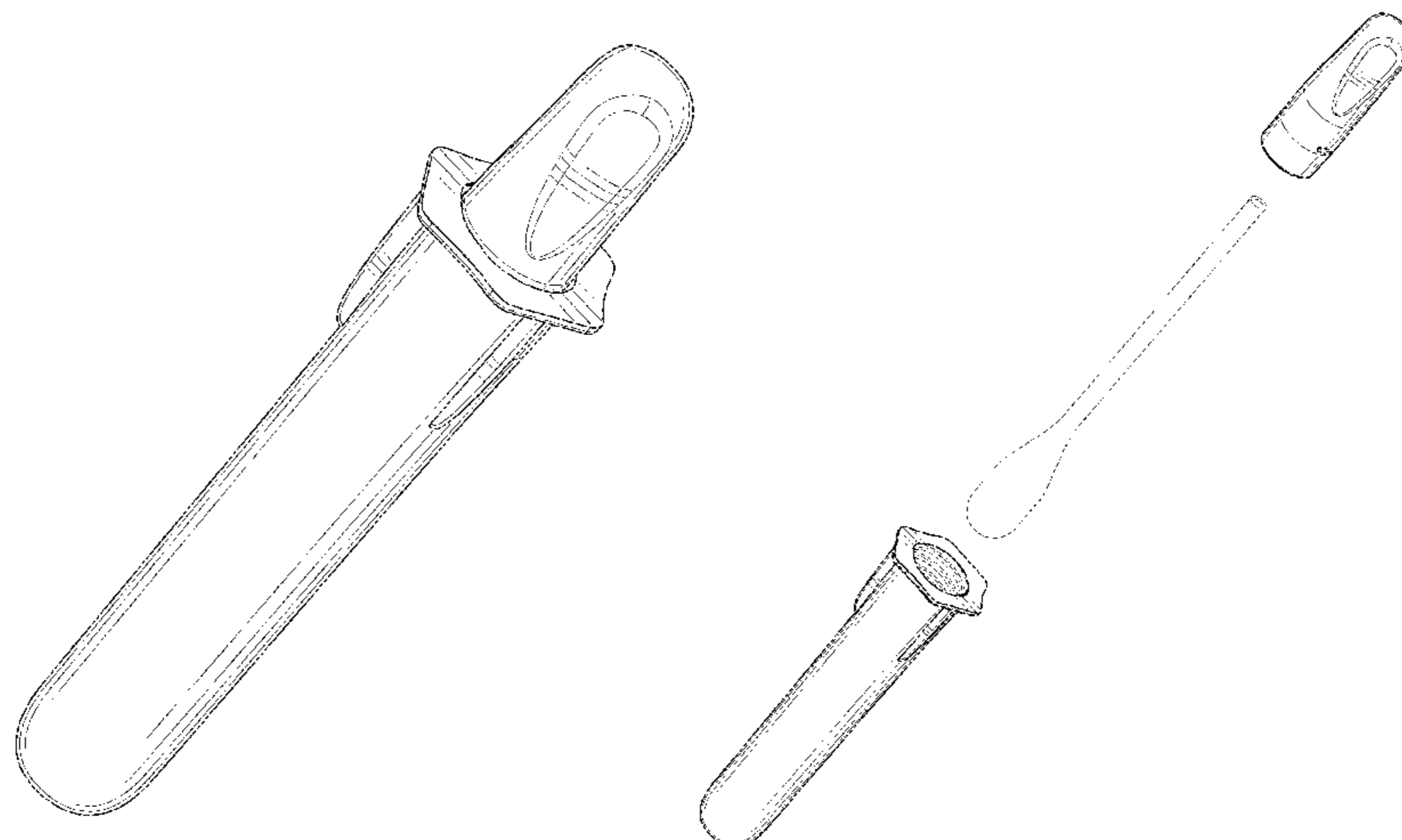
(57) **CLAIM**

The ornamental design for a recloseable swab applicator, as
shown and described.

DESCRIPTION

FIG. 1 is a front perspective view of a recloseable swab
applicator of the present invention;
FIG. 2 is an exploded perspective view thereof, showing the
swab applicator of FIG. 1 in an open position;
FIG. 3 is a front elevation view thereof;
FIG. 4 is a rear elevation view thereof;
FIG. 5 is a right elevation view thereof;
FIG. 6 is a left elevation view thereof;
FIG. 7 is a top plan view thereof; and,
FIG. 8 is a bottom plan view thereof.

(Continued)



The broken lines shown in FIG. 2 illustrate portions of the recloseable swab applicator that form no part of the claimed design.

1 Claim, 7 Drawing Sheets

(58) Field of Classification Search

CPC 2017/06028; A61B 17/06066; A61B 17/0401; A61B 17/06109; A61B 17/0625; A61B 17/062; A61B 2017/0409; A61B 17/0469; A61B 2017/0445; A61B 17/04; A61B 2017/06042; A61B 17/06; A61B 17/244; A61B 13/00; A61B 2017/00398; C09D 183/04; B01L 2300/042; B01L 3/502; B01L 3/5029; A61C 15/00; G01N 2001/028; A61M 2025/0246; A61M 25/0009; A61M 25/007; A61M 25/02; A61M 25/09033; A61M 5/3286; A61M 5/343; A61M 35/00; A61M 35/003; A61M 35/006; A61K 13/02; A45D 24/02; A45D 24/04; A45D 24/36

See application file for complete search history.

(56) References Cited

U.S. PATENT DOCUMENTS

D225,526 S * 12/1972 Baum et al. D24/224
 3,818,911 A 6/1974 Fournier

3,918,435 A	11/1975	Beall et al.	
3,923,604 A	12/1975	Monaghan	
4,747,719 A	5/1988	Parkin	
D299,973 S *	2/1989	Campello	D28/7
4,952,204 A	8/1990	Korteweg	
5,063,026 A *	11/1991	Wong	A61B 10/02 600/572
5,316,399 A	5/1994	Joulia	
5,393,496 A *	2/1995	Seymour	A61B 10/0051 422/413
5,511,654 A	4/1996	de la Rocha	
6,406,451 B1	6/2002	Rowe	
7,141,033 B2 *	11/2006	Kanjilal	A61B 10/0038 604/1
D542,916 S *	5/2007	Squires	D24/119
D561,344 S *	2/2008	Kozak	D24/216
7,337,907 B2	3/2008	Shah	
D580,070 S *	11/2008	Riley	D24/216
D604,050 S *	11/2009	Hale	D28/7
D742,588 S *	11/2015	Cutler	D28/7
D765,242 S *	8/2016	Tapocik	D24/119
9,427,361 B2	8/2016	Buell et al.	
D776,291 S *	1/2017	Wan	D24/216
D816,913 S *	5/2018	Hayes	D28/76
10,370,156 B2 *	8/2019	Karam	A61B 5/150259
D923,254 S *	6/2021	Kuo	D28/85
2005/0106753 A1 *	5/2005	Wu	B01L 3/5029 436/180
2006/0095000 A1	5/2006	Kimmell	

* cited by examiner

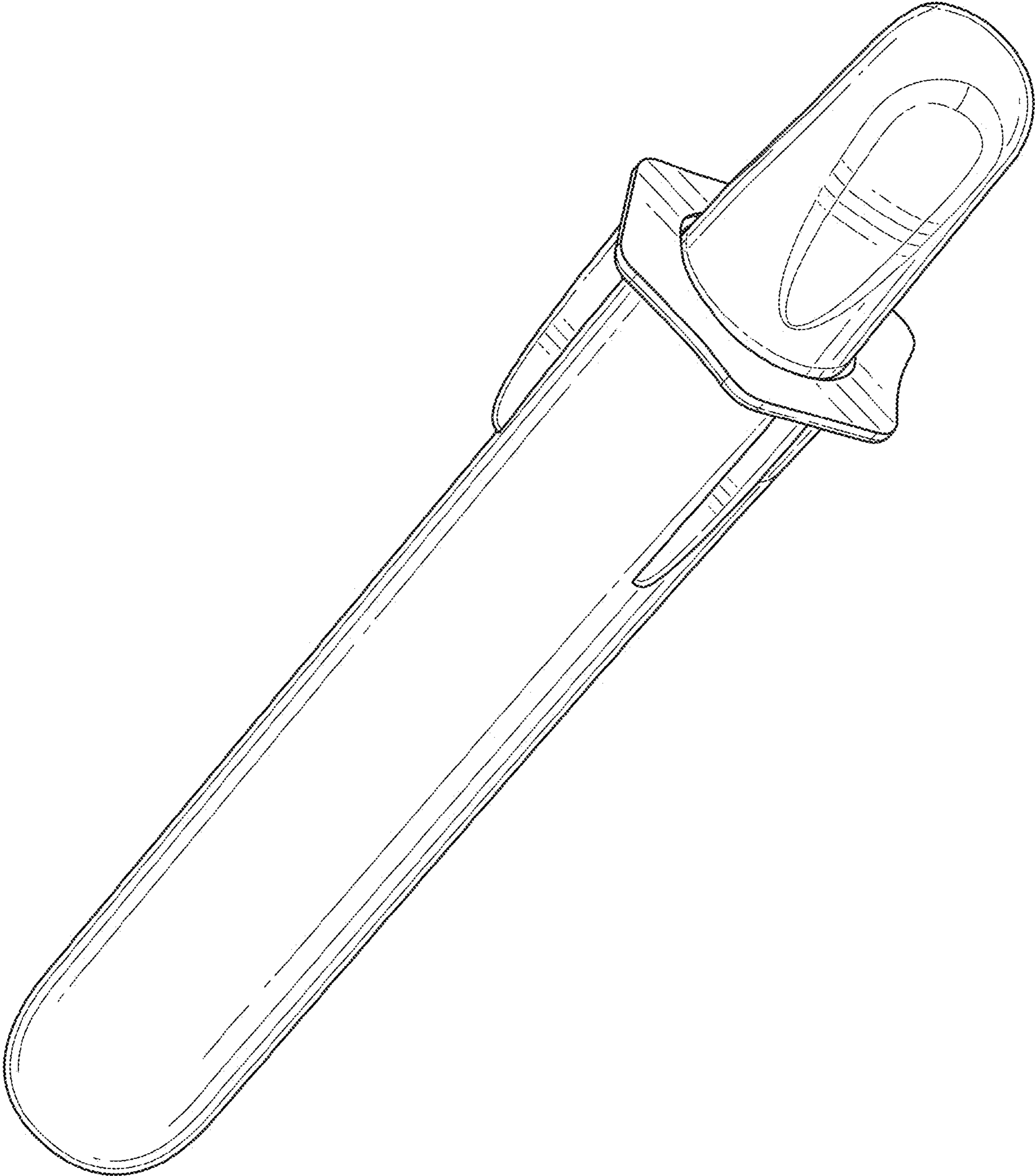


FIG. 1

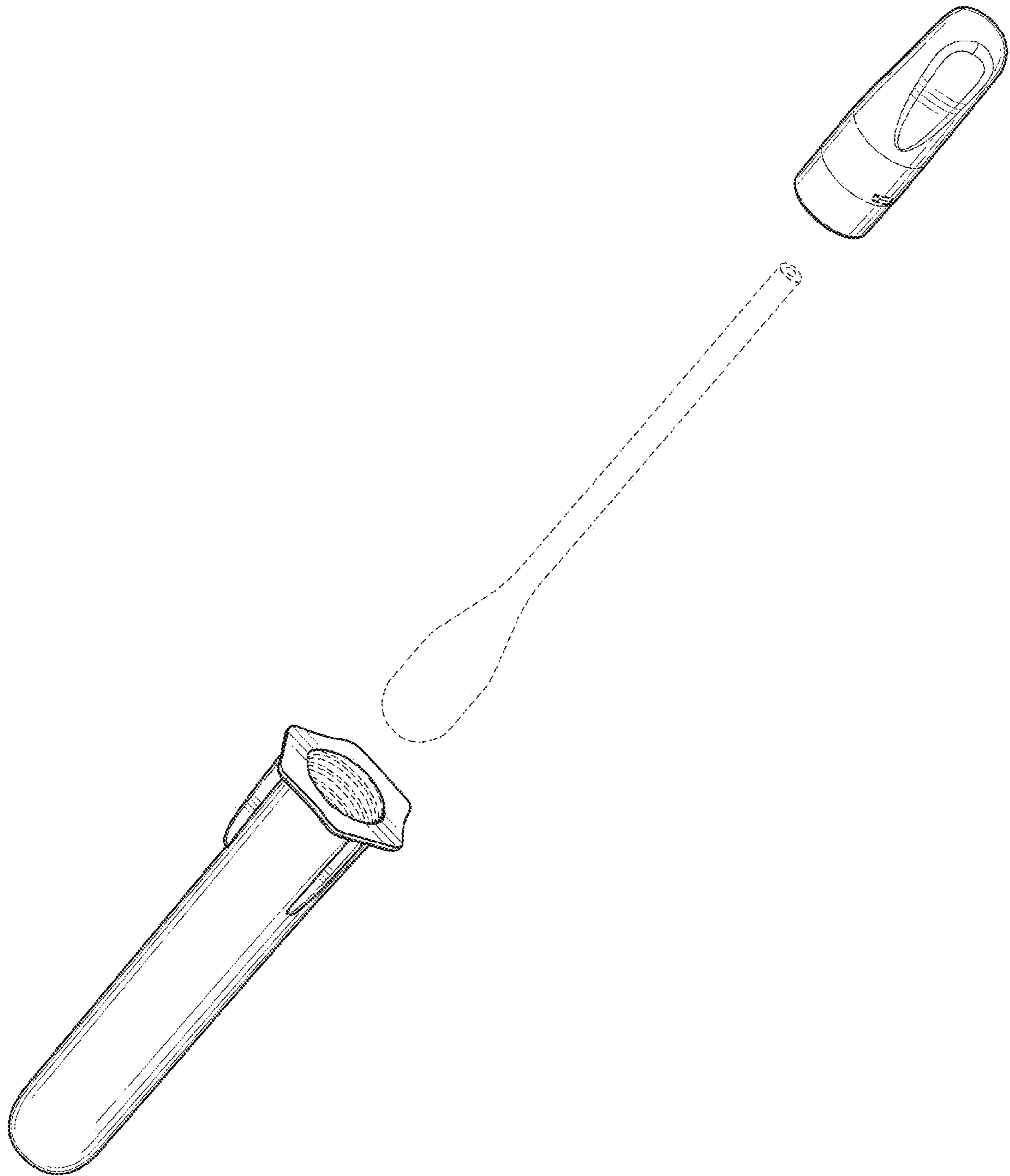


FIG. 2

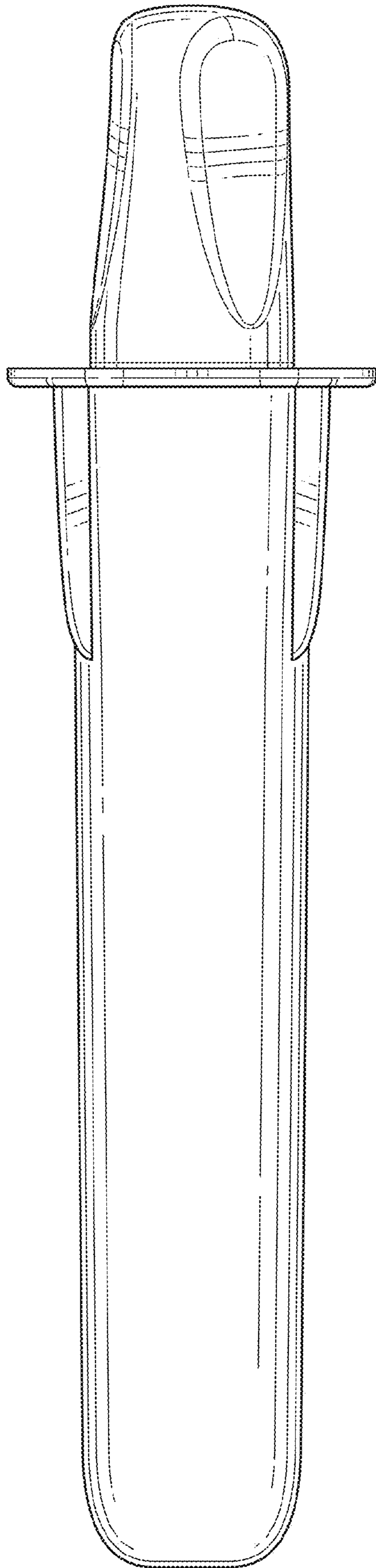


FIG. 3

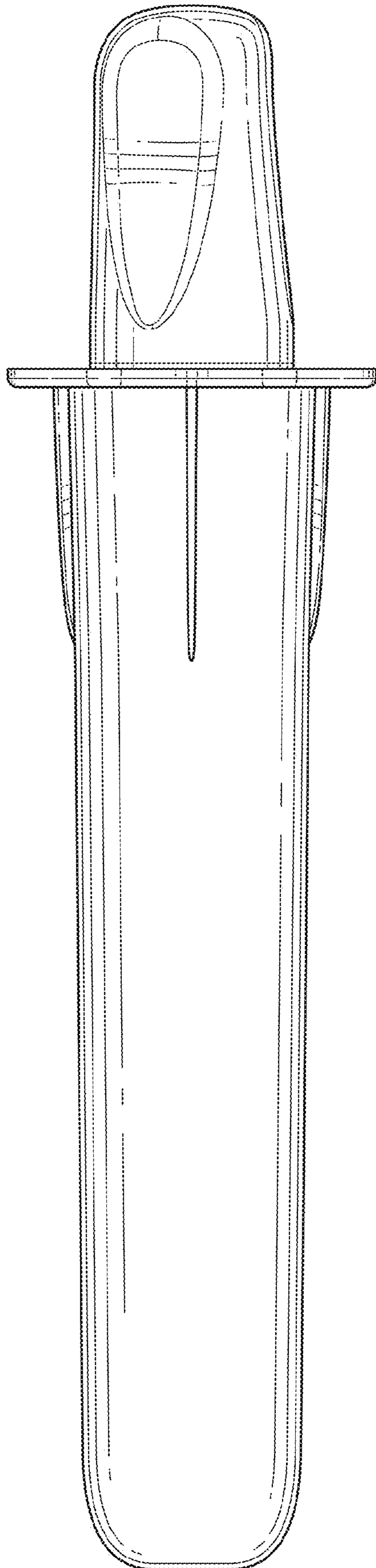


FIG. 4

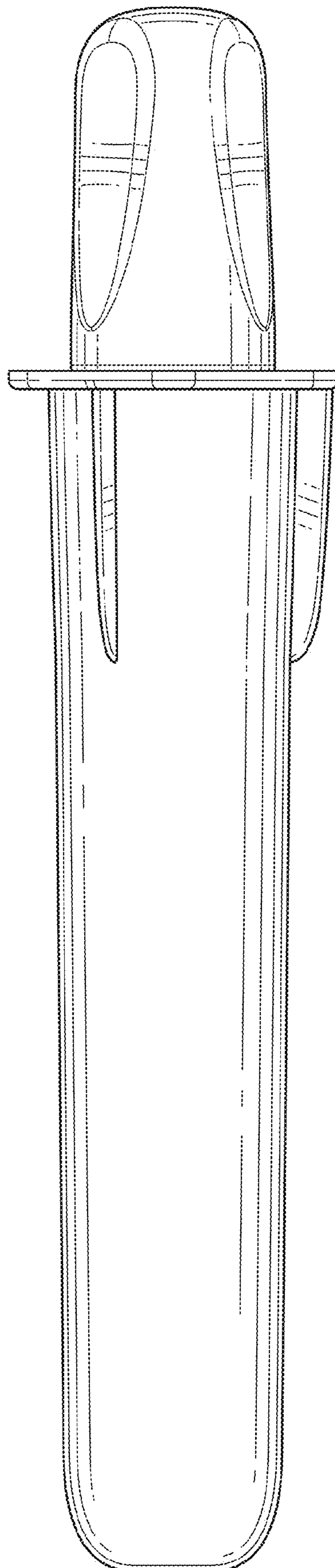


FIG. 5

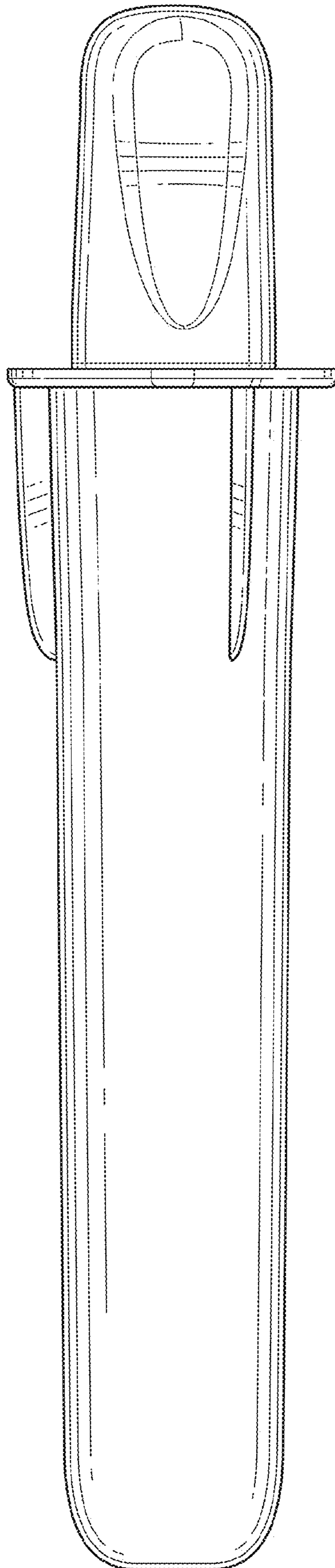


FIG. 6

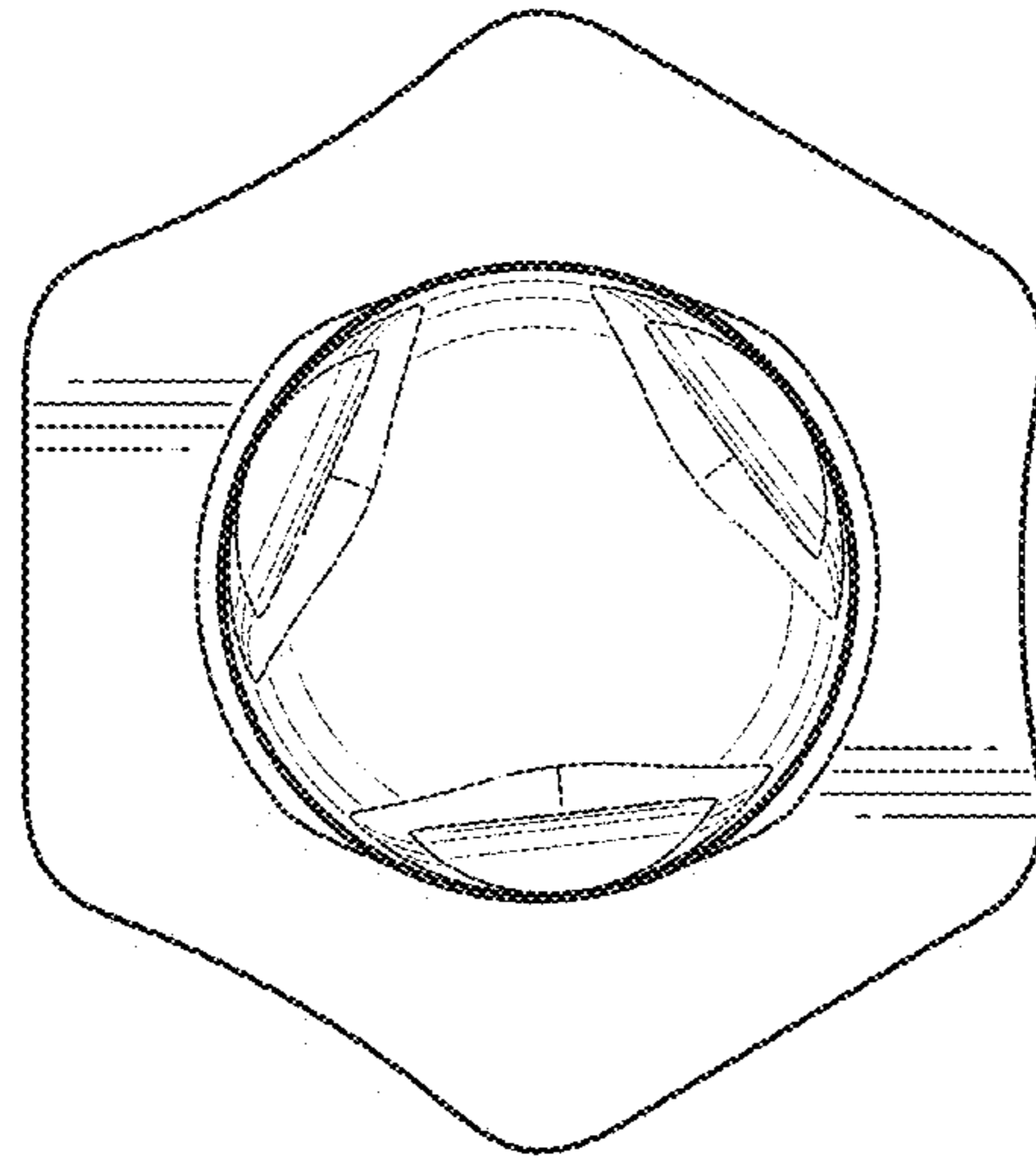


FIG. 7

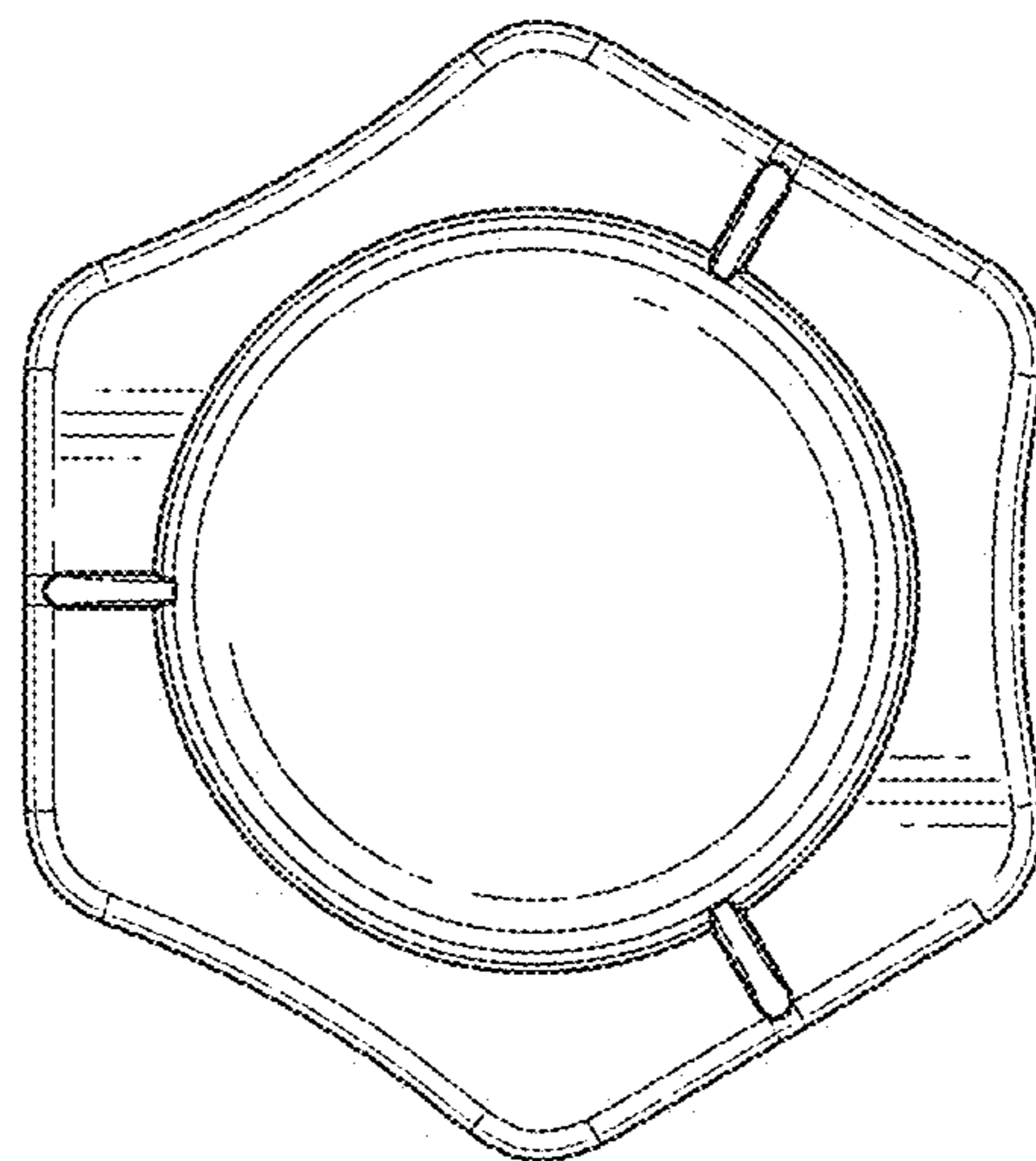


FIG. 8